



US00D755932S

(12) **United States Design Patent**  
**Fritz**

(10) **Patent No.:** **US D755,932 S**

(45) **Date of Patent:** **\*\* May 10, 2016**

(54) **FAUCET**

(71) Applicant: **Delta Faucet Company**, Indianapolis, IN (US)

(72) Inventor: **Seth Fritz**, Carmel, IN (US)

(73) Assignee: **DELTA FAUCET COMPANY**, Indianapolis, IN (US)

(\*\*) Term: **14 Years**

(21) Appl. No.: **29/520,014**

(22) Filed: **Mar. 10, 2015**

(51) **LOC (10) Cl.** ..... **23-01**

(52) **U.S. Cl.**  
USPC ..... **D23/242**

(58) **Field of Classification Search**  
USPC ..... D23/238, 241–243, 249–250, 252, 255,  
D23/257  
CPC ..... E03C 1/04; E03C 1/0401; E03C 1/0402;  
E03C 1/0404

See application file for complete search history.

(56) **References Cited**

U.S. PATENT DOCUMENTS

D267,110 S *	11/1982	Arnolds .....	D23/242
D507,331 S *	7/2005	Lord .....	D23/252
D581,025 S *	11/2008	Schonherr .....	D23/255
D622,817 S *	8/2010	Painter .....	D23/242
D704,305 S *	5/2014	Flowers .....	D23/242
D718,421 S *	11/2014	Smith .....	D23/252

\* cited by examiner

*Primary Examiner* — Robert Delehanty

(74) *Attorney, Agent, or Firm* — Edgar A. Zarins; Nirav D. Parikh

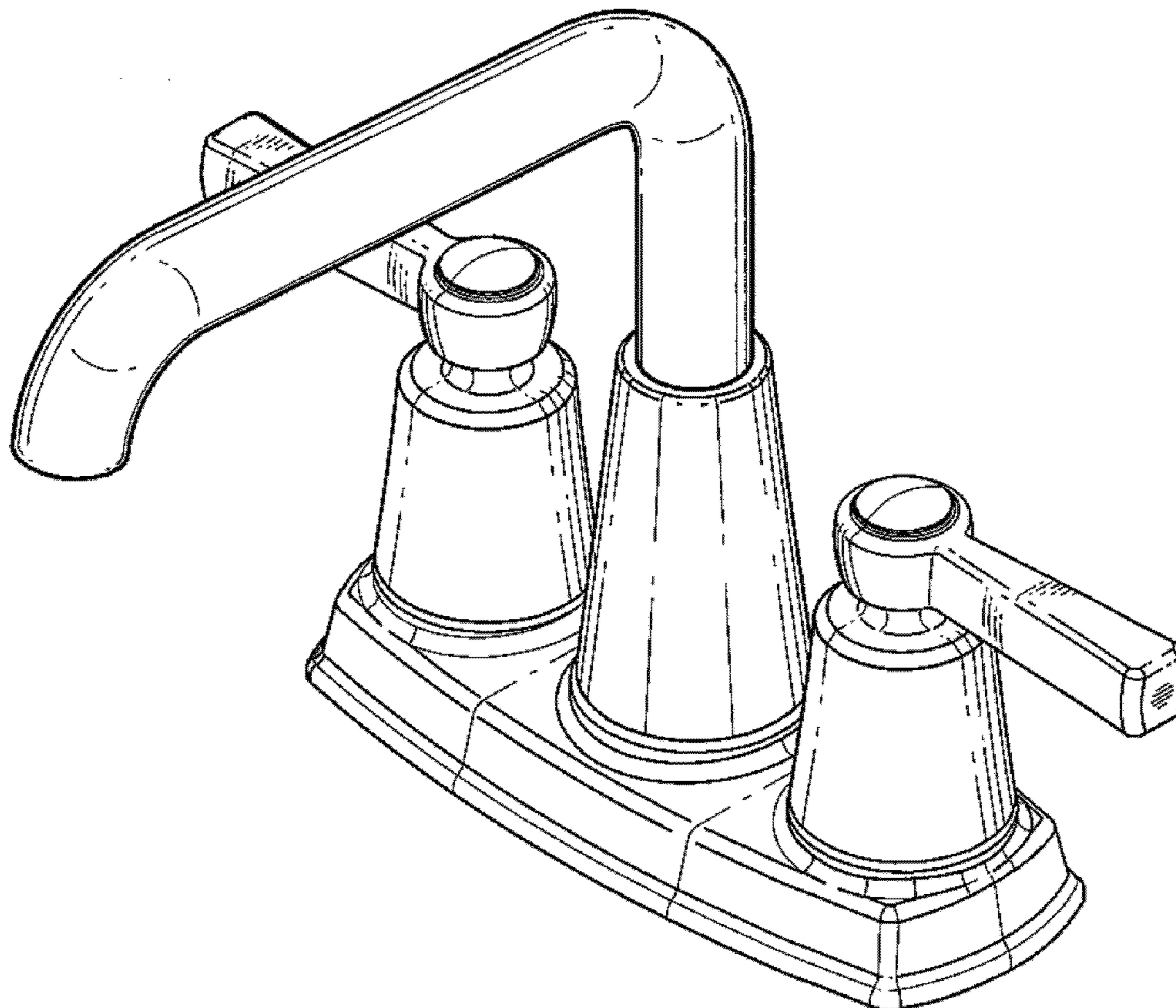
(57) **CLAIM**

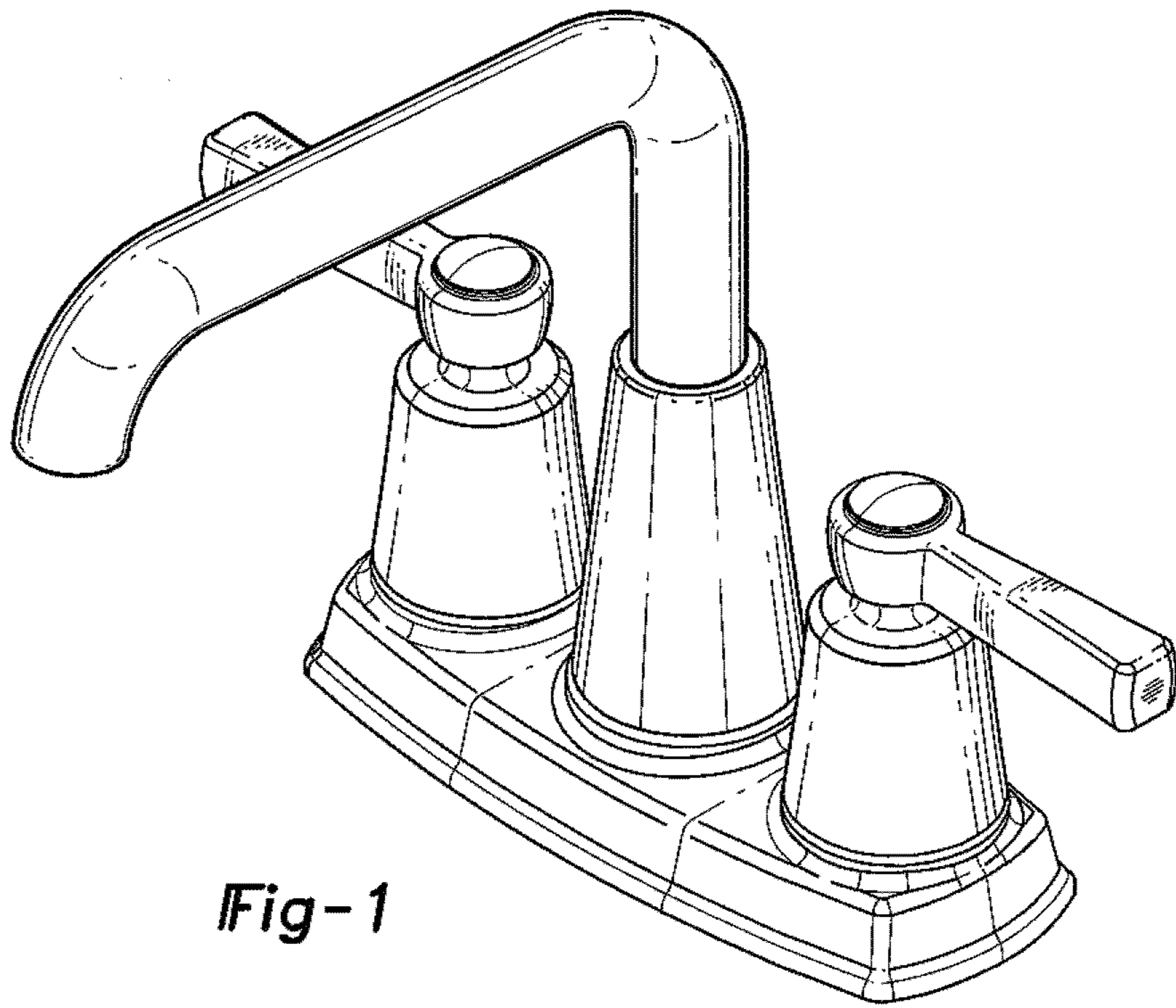
The ornamental design for a faucet, as shown and described.

**DESCRIPTION**

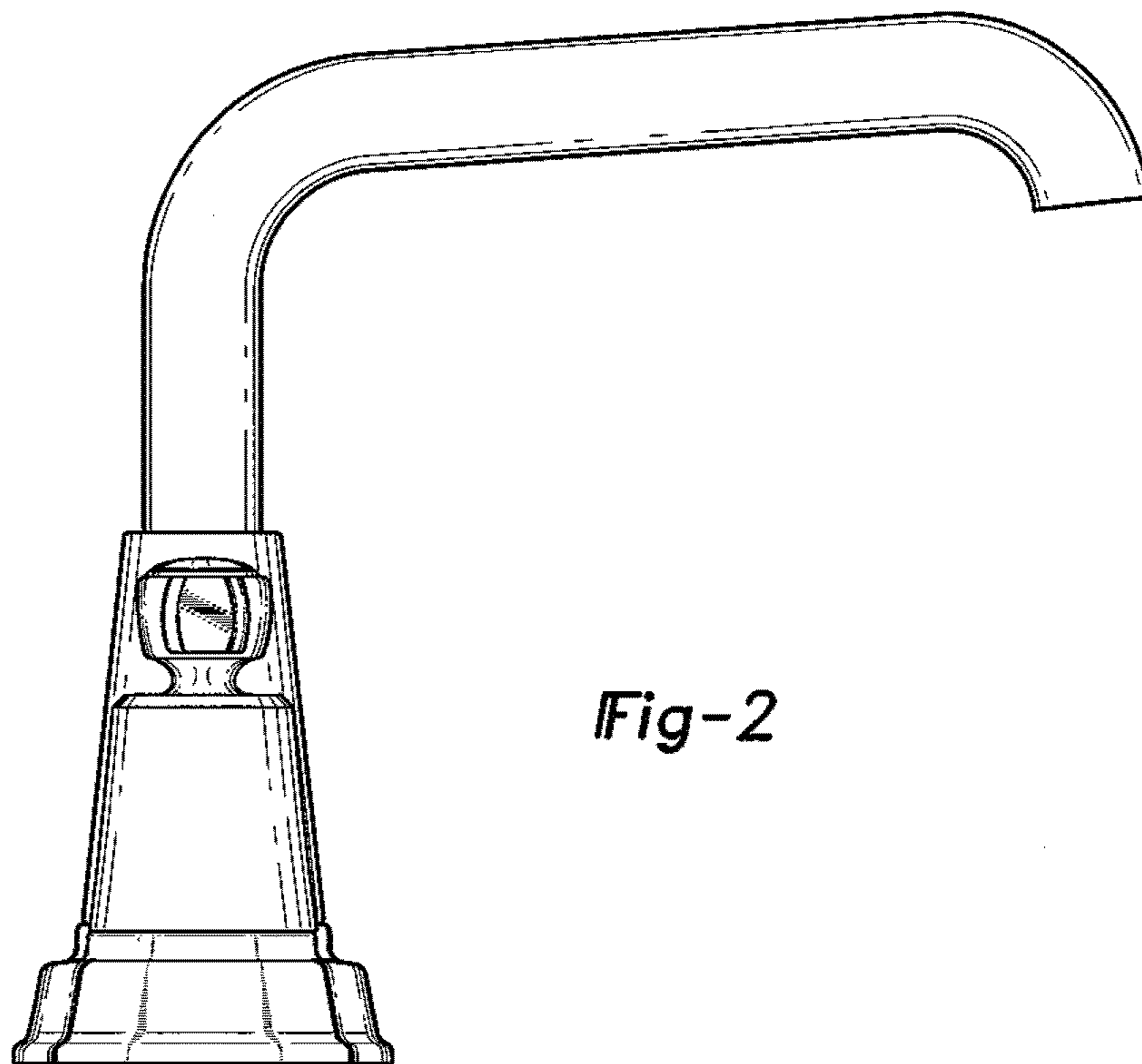
FIG. 1 is a perspective view of a faucet showing my new design;  
FIG. 2 is a right side view thereof, the opposite side being a mirror image of the side shown;  
FIG. 3 is a top plan view thereof;  
FIG. 4 is a front elevational view thereof;  
FIG. 5 is a rear view thereof; and,  
FIG. 6 is a bottom view thereof.

**1 Claim, 3 Drawing Sheets**

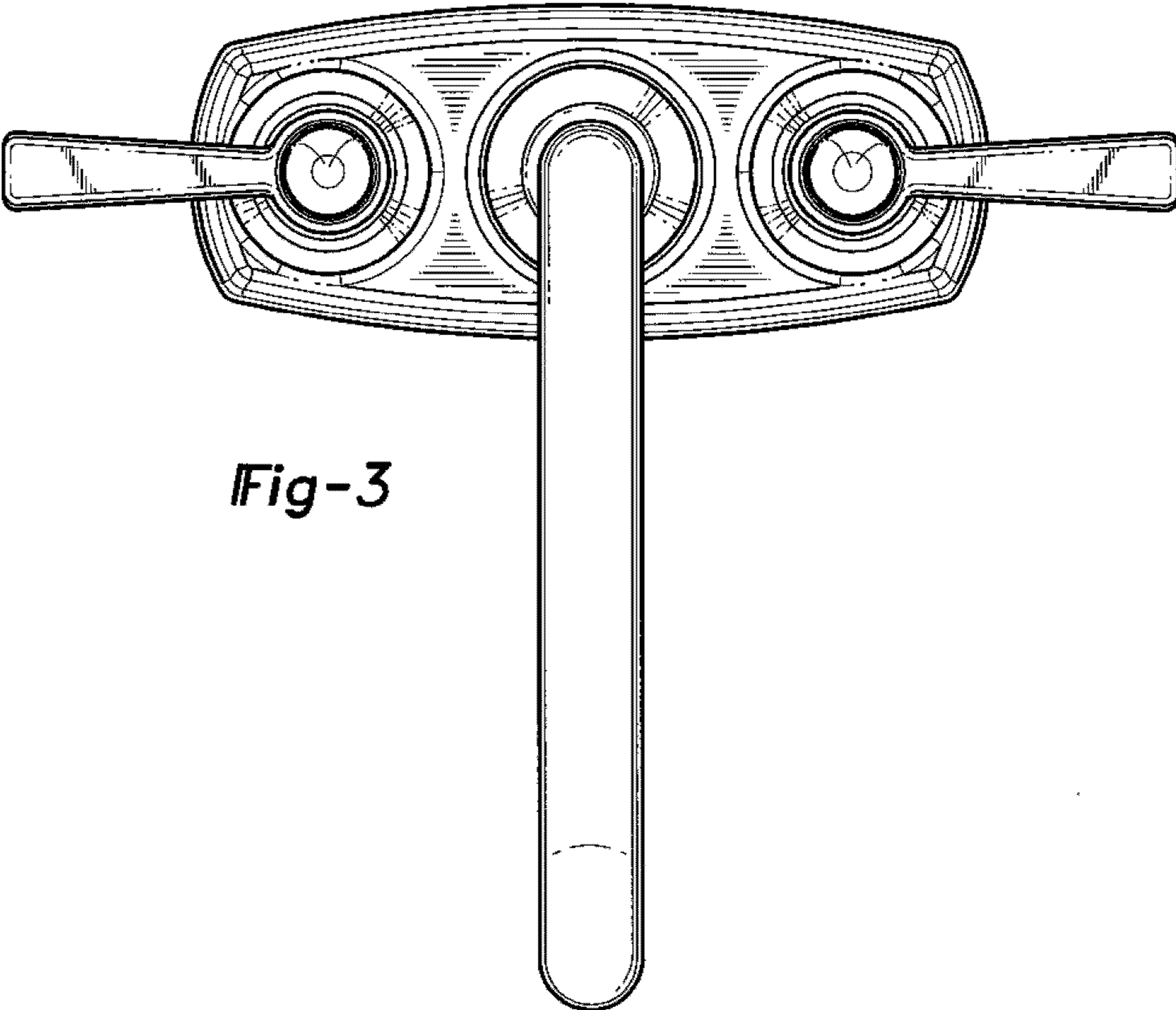




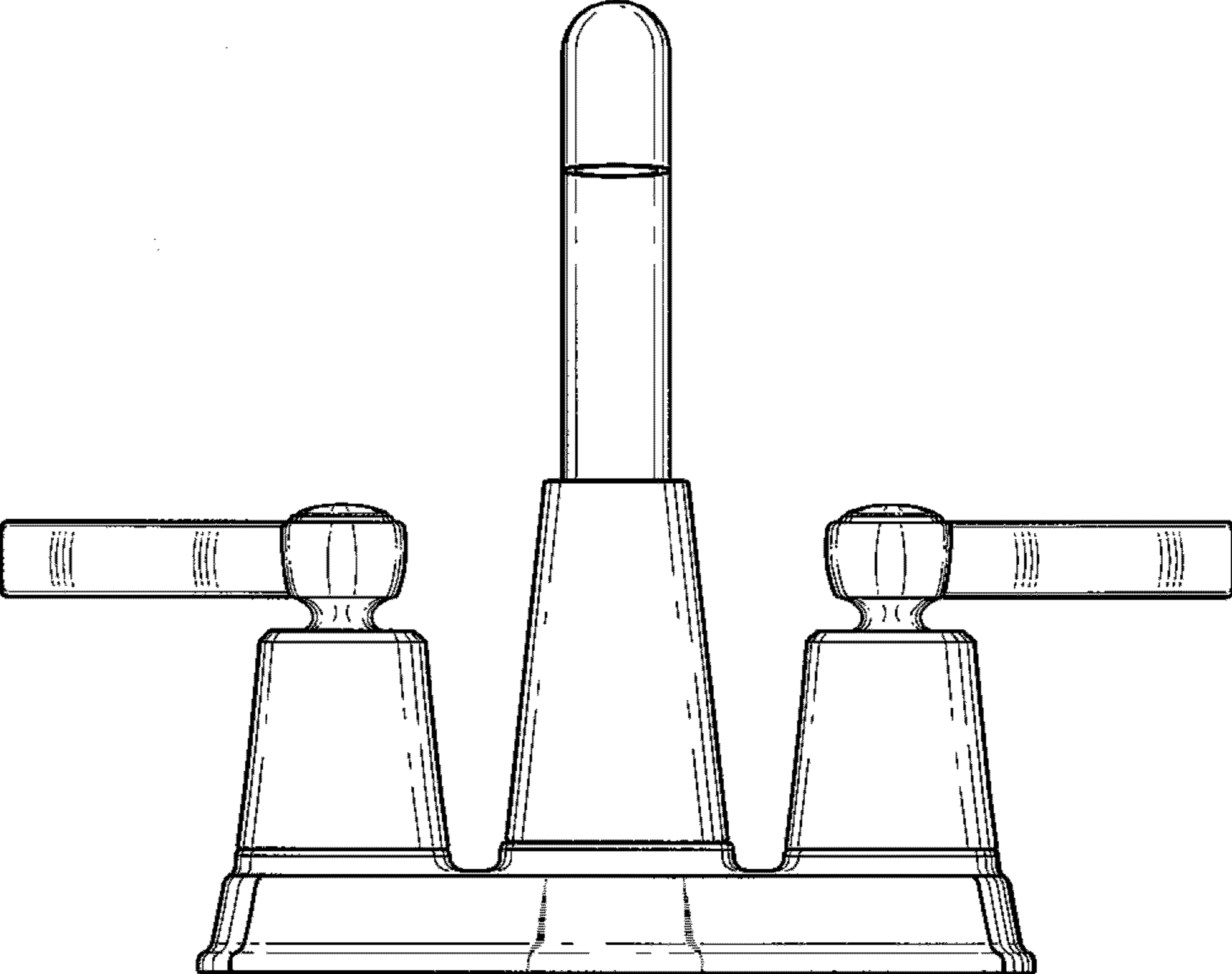
*Fig-1*



*Fig-2*



*Fig-3*



*Fig-4*

