



US00D755931S

(12) **United States Design Patent**  
**Fratantonio et al.**

(10) **Patent No.:** **US D755,931 S**  
(45) **Date of Patent:** **\*\* May 10, 2016**

(54) **ELECTRONIC TEMPERING FAUCET**

D516,680 S \* 3/2006 Schmitt ..... 23/238  
7,069,941 B2 \* 7/2006 Parsons ..... E03C 1/057  
137/1  
D530,394 S \* 10/2006 Paterson ..... D23/238

(71) Applicant: **Watts Water Technologies, Inc.**, North Andover, MA (US)

(72) Inventors: **Matthew Fratantonio**, Northborough, MA (US); **Steven Hofmann**, Haverhill, MA (US)

(73) Assignee: **Watts Water Technologies, Inc.**, North Andover, MA (US)

(\*\*) Term: **15 Years**

(21) Appl. No.: **29/528,228**

(22) Filed: **May 27, 2015**

(51) **LOC (10) Cl.** ..... **23-01**

(52) **U.S. Cl.**  
USPC ..... **D23/238**

(58) **Field of Classification Search**  
USPC ..... D23/238–243, 249–250, 252, 255, 257  
CPC ..... E03C 1/04; E03C 1/0401; E03C 1/0402;  
E03C 1/0404; E03C 1/057  
See application file for complete search history.

(56) **References Cited**

**U.S. PATENT DOCUMENTS**

5,060,323 A \* 10/1991 Shaw ..... E03C 1/057  
4/213  
5,062,164 A \* 11/1991 Lee ..... E03C 1/057  
137/613  
5,555,912 A \* 9/1996 Saadi ..... E03C 1/057  
137/801  
6,082,407 A \* 7/2000 Paterson ..... E03C 1/057  
137/801

\* cited by examiner

*Primary Examiner* — Robert Delehanty

(74) *Attorney, Agent, or Firm* — Adler Pollock & Sheehan P.C.; George N. Chaclas, Esq.; Daniel J. Holmander, Esq.

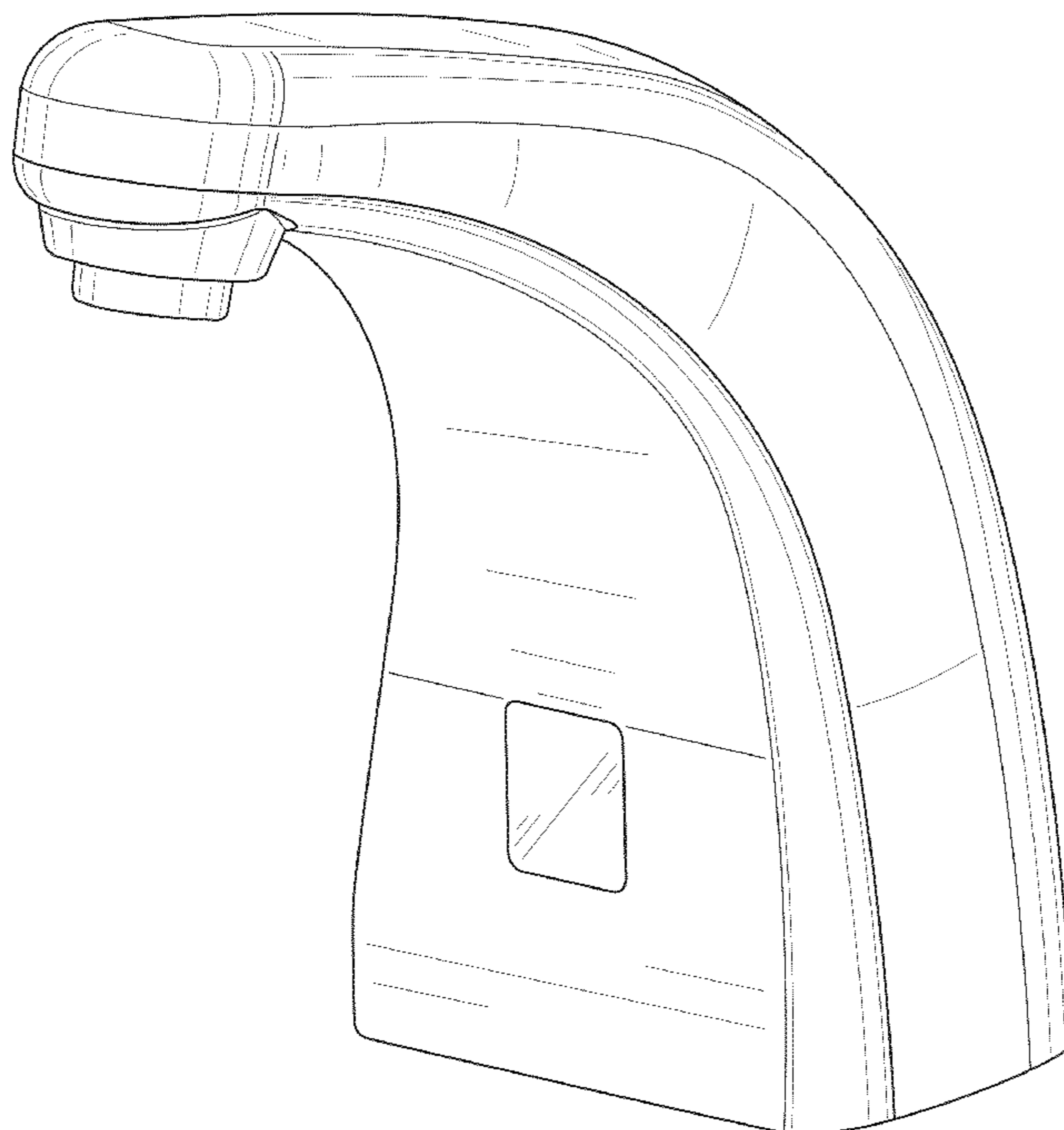
(57) **CLAIM**

The ornamental design for an electronic tempering faucet, as shown and described.

**DESCRIPTION**

FIG. 1 is a perspective view of the electronic tempering faucet according to the present disclosure.  
FIG. 2 is a front view of the electronic tempering faucet according to the present disclosure.  
FIG. 3 is a back view of the electronic tempering faucet according to the present disclosure.  
FIG. 4 is a left side view of the electronic tempering faucet according to the present disclosure.  
FIG. 5 is a right view of the electronic tempering faucet according to the present disclosure.  
FIG. 6 is a top view of the electronic tempering faucet according to the present disclosure; and,  
FIG. 7 is a bottom view of the electronic tempering faucet according to the present disclosure.  
The broken lines are shown for the purposes of illustrating portions of the electronic tempering faucet and form no part of the claimed design.

**1 Claim, 7 Drawing Sheets**



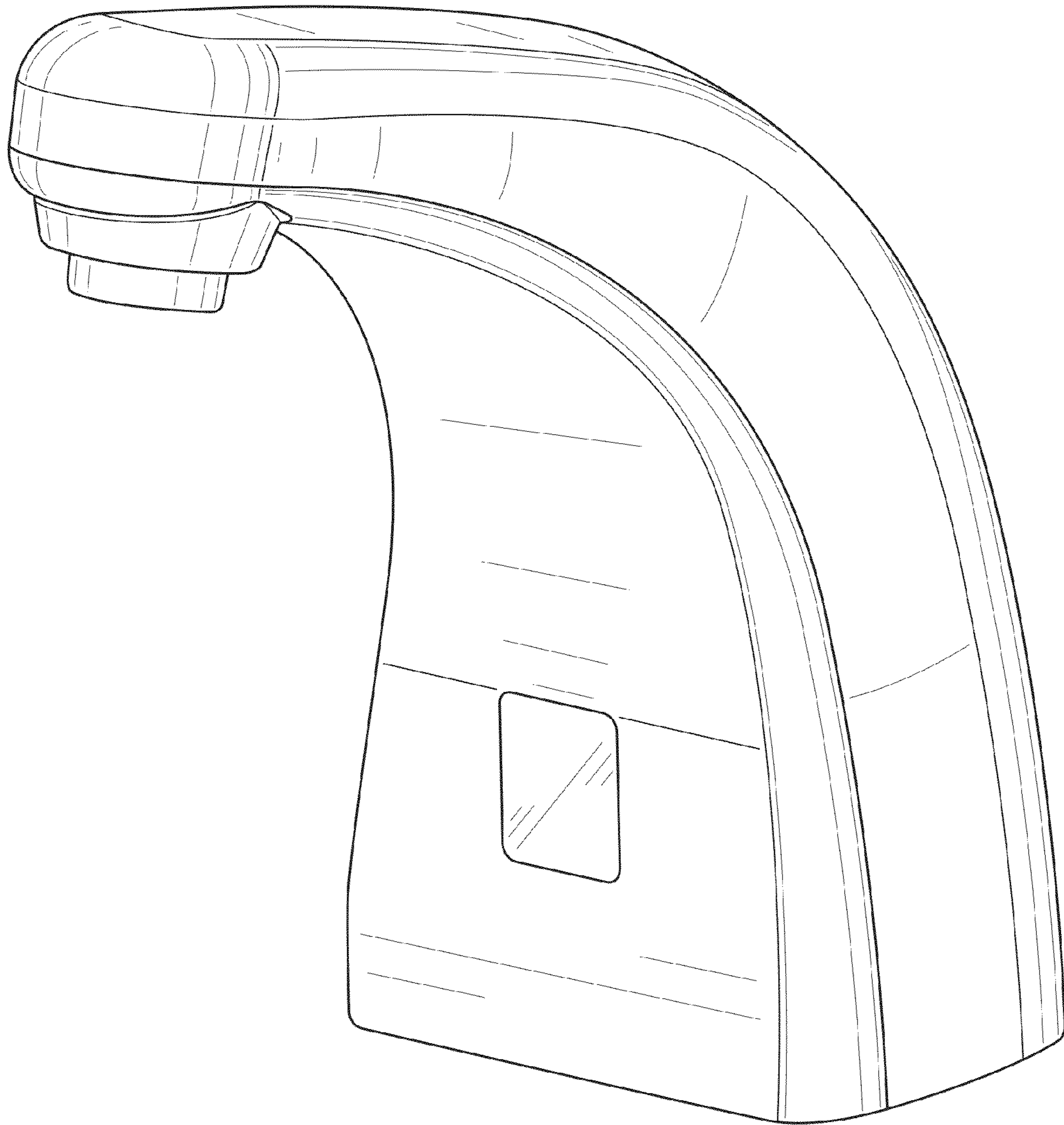


FIG. 1

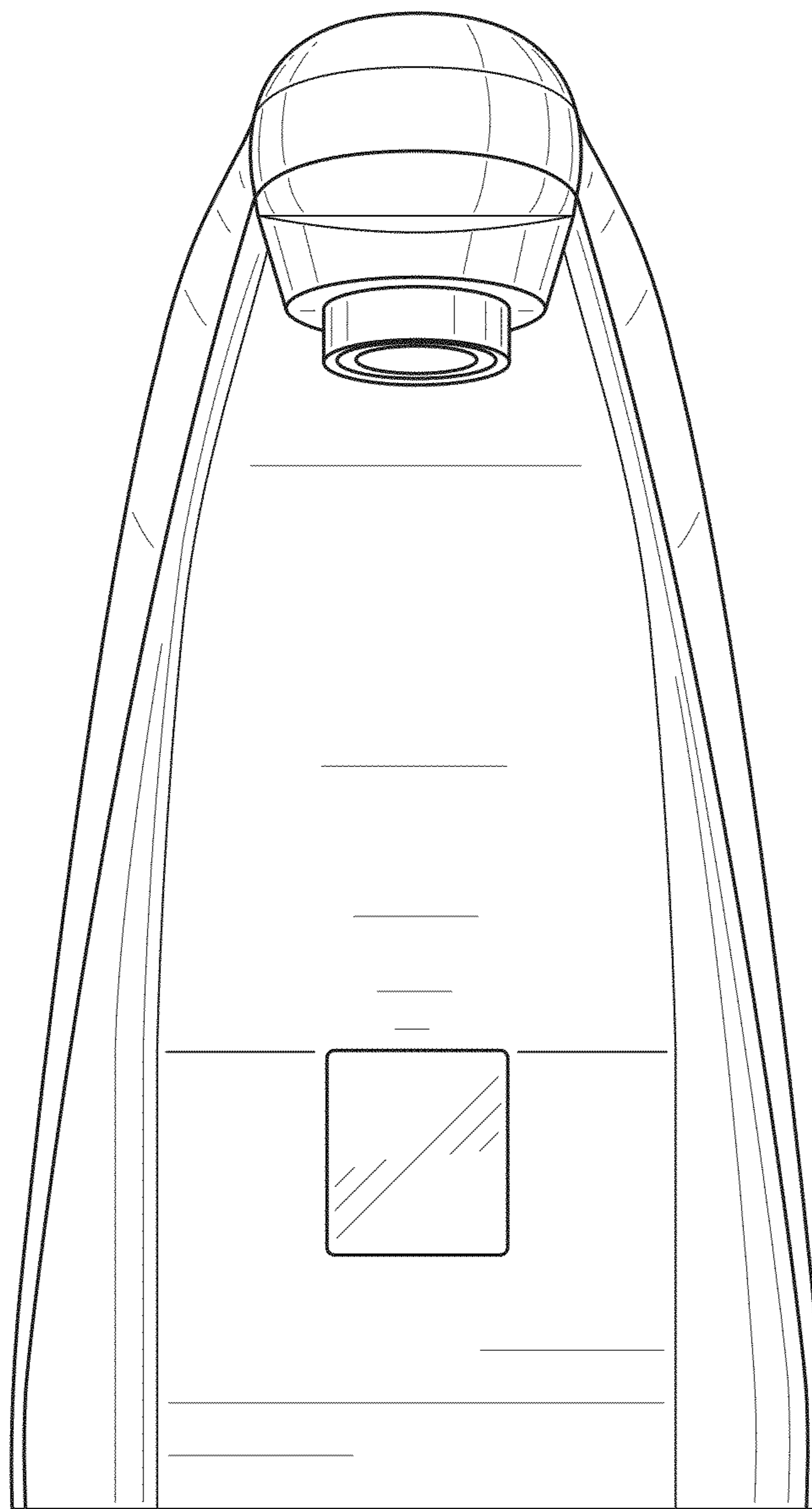


FIG. 2

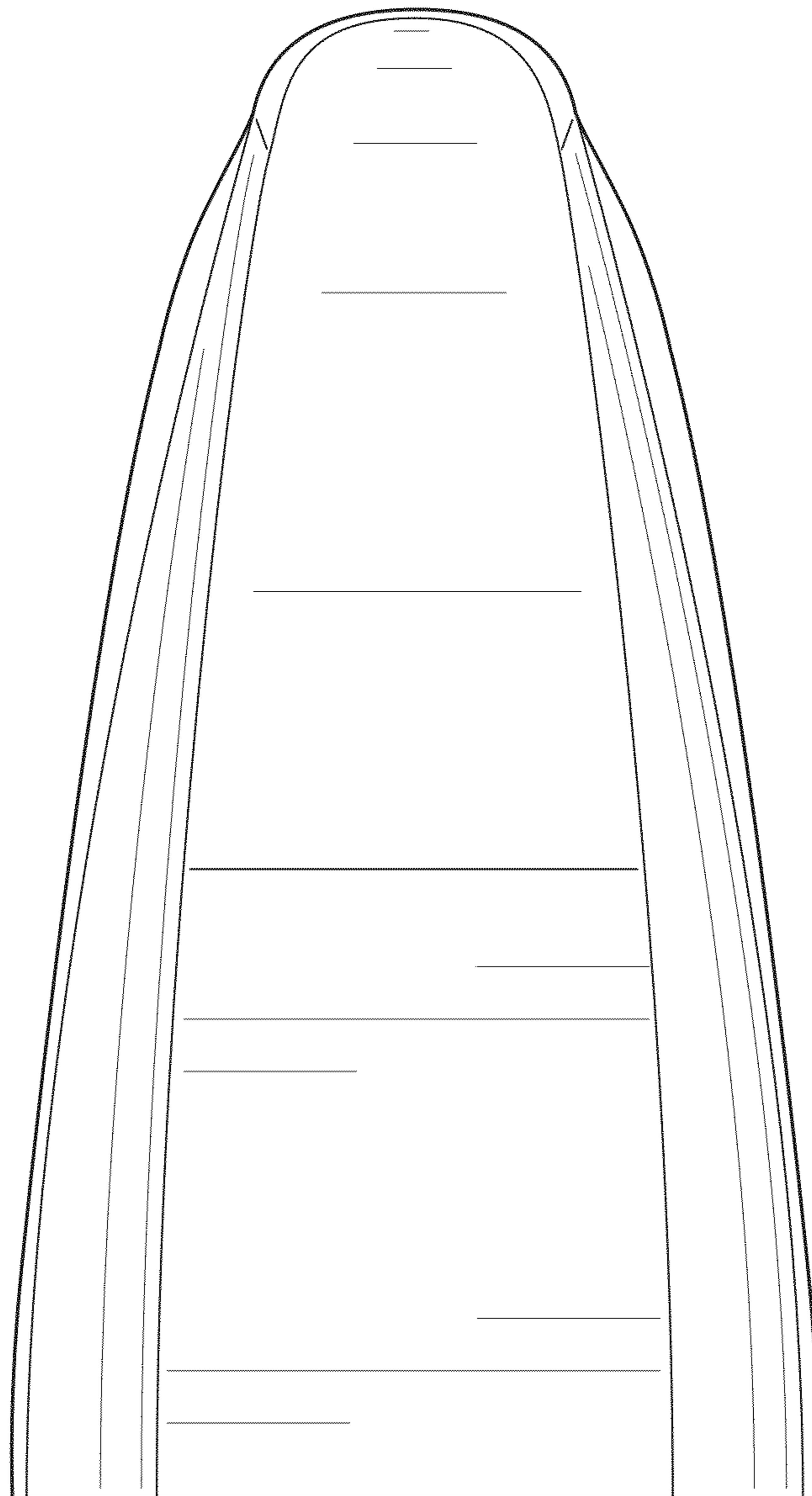


FIG. 3

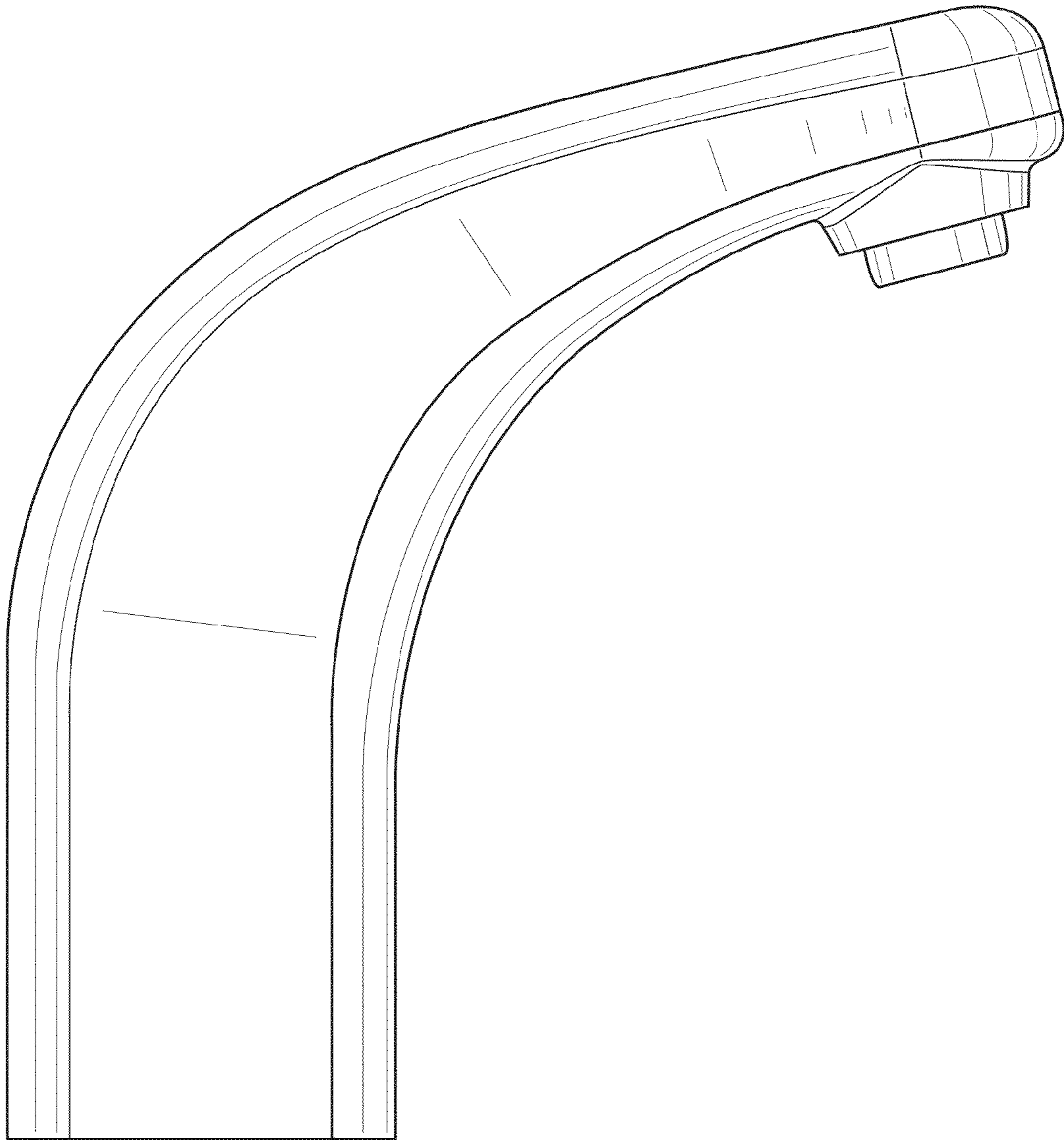


FIG. 4

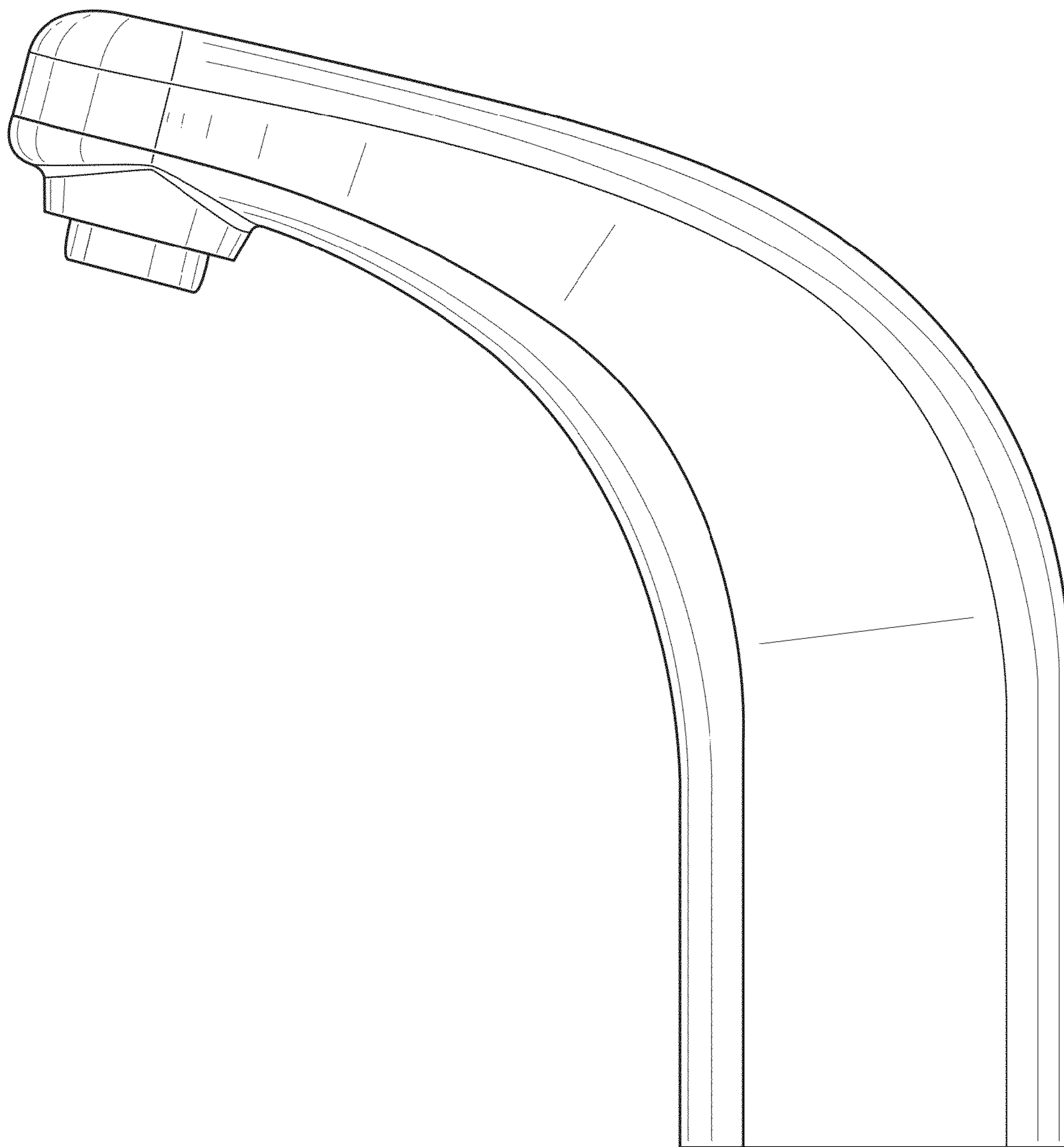


FIG. 5

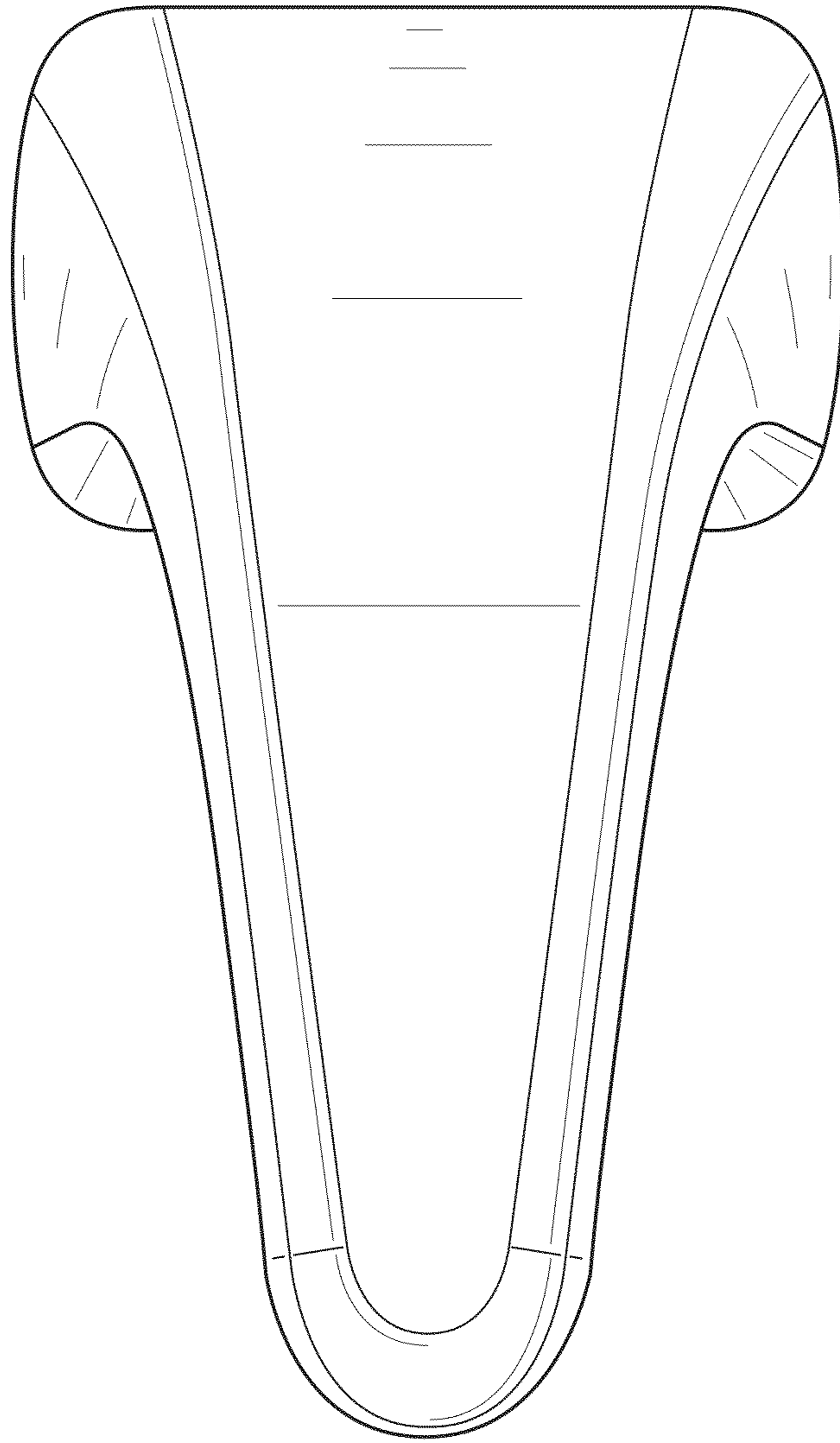


FIG. 6

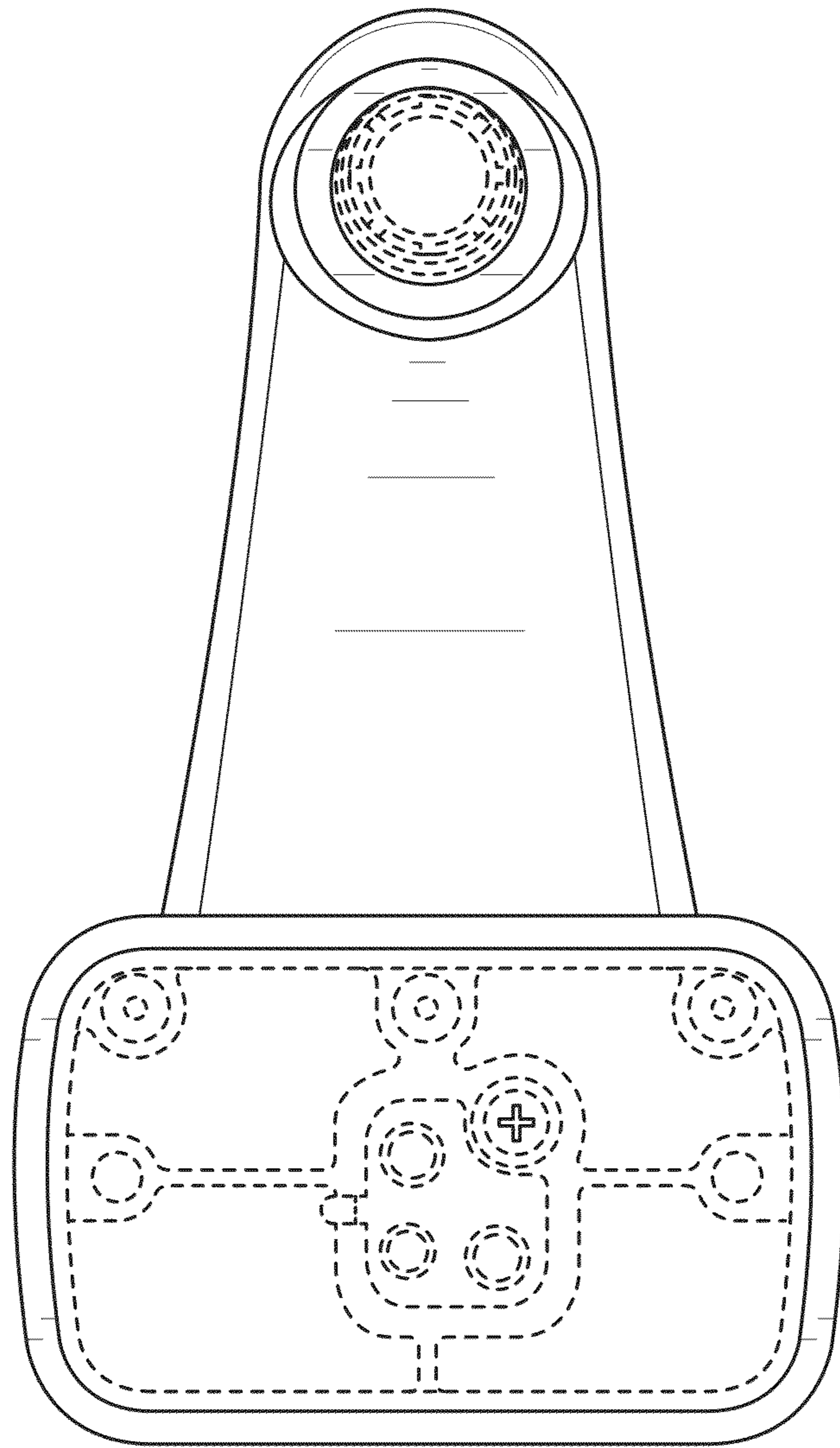


FIG. 7