



US00D755928S

(12) **United States Design Patent**  
**Jenne**

(10) **Patent No.:** **US D755,928 S**  
(45) **Date of Patent:** **\*\* May 10, 2016**

- (54) **FILLING VALVE**
- (71) Applicant: **Richard D Jenne**, Willowick, OH (US)
- (72) Inventor: **Richard D Jenne**, Willowick, OH (US)
- (73) Assignee: **BEVCORP LLC**, Willoughby, OH (US)
- (\*\*) Term: **15 Years**
- (21) Appl. No.: **29/533,706**
- (22) Filed: **Jul. 21, 2015**

**Related U.S. Application Data**

- (60) Continuation-in-part of application No. 13/941,992, filed on Jul. 15, 2013, now Pat. No. 9,145,288, and a division of application No. 29/469,835, filed on Oct. 15, 2013.
- (51) **LOC (10) Cl.** ..... **23-01**
- (52) **U.S. Cl.**  
USPC ..... **D23/233**
- (58) **Field of Classification Search**  
USPC ..... D23/233-269; 29/558, 890.126;  
429/143, 147; 141/46, 287, 147, 144,  
141/145, 146, 1, 39, 301, 100, 286;  
137/542, 587  
CPC ..... F16K 1/306; F16K 15/035; F16K 1/307;  
F16K 1/303; F16K 1/304; F16K 1/52  
See application file for complete search history.

(56) **References Cited**

**U.S. PATENT DOCUMENTS**

- 5,623,964 A \* 4/1997 Tsai ..... F17C 13/04  
137/587
- D401,671 S \* 11/1998 Lewis ..... D23/233

- 5,896,897 A \* 4/1999 Lewis ..... B65B 39/04  
141/301
- 6,158,195 A \* 12/2000 Andersson ..... B65B 39/004  
141/100
- 6,244,309 B1 \* 6/2001 Martin ..... B67C 3/2608  
141/286
- 7,270,153 B2 \* 9/2007 Stavrakis ..... B67C 3/002  
141/1
- 7,523,771 B2 \* 4/2009 Stavrakis ..... B65B 39/004  
141/144
- 2006/0042715 A1 \* 3/2006 Stavrakis ..... B67C 3/002  
141/1

\* cited by examiner

*Primary Examiner* — Cynthia Ramirez

*Assistant Examiner* — Gino Colan

(74) *Attorney, Agent, or Firm* — Porter Wright Morris & Arthur LLP

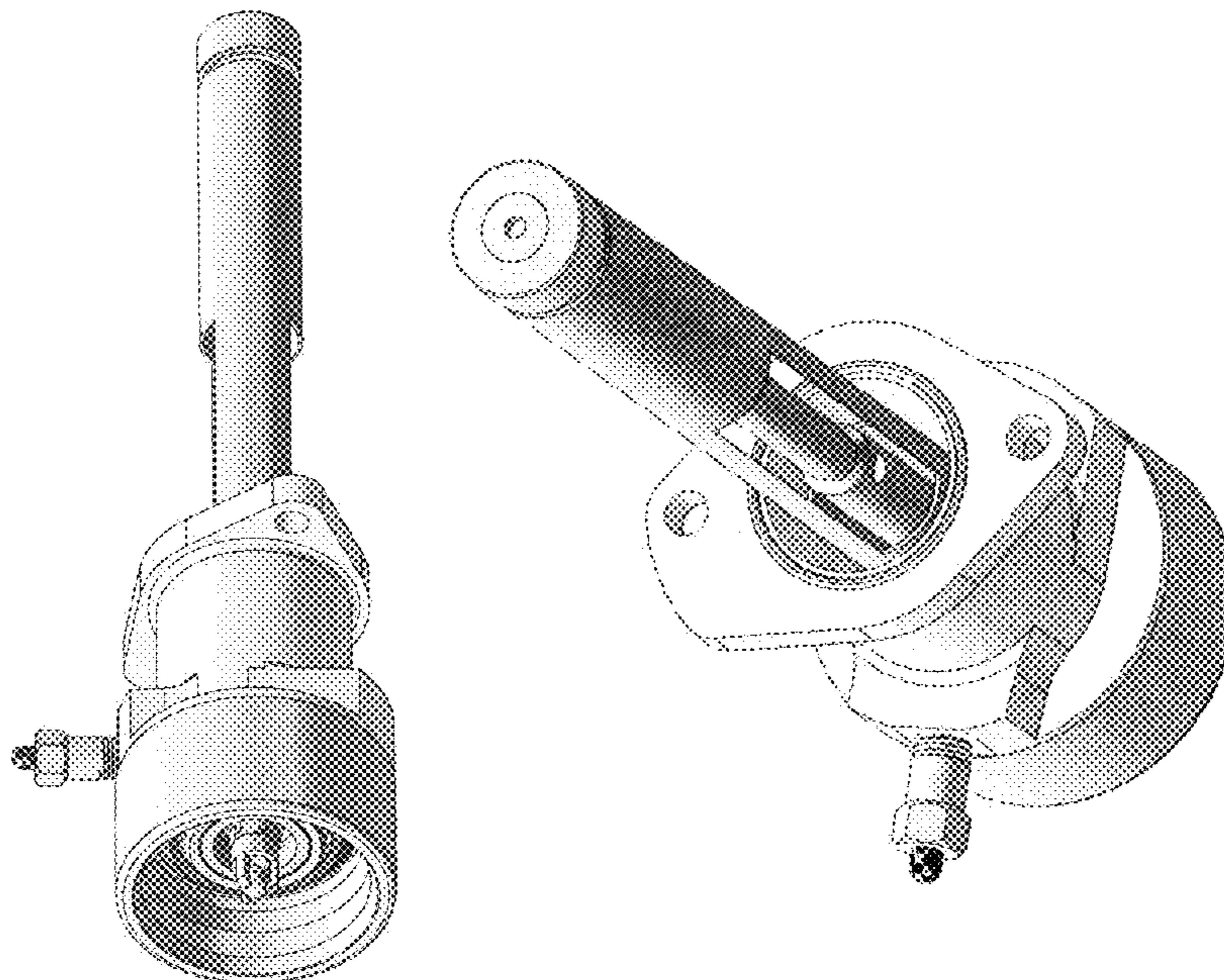
(57) **CLAIM**

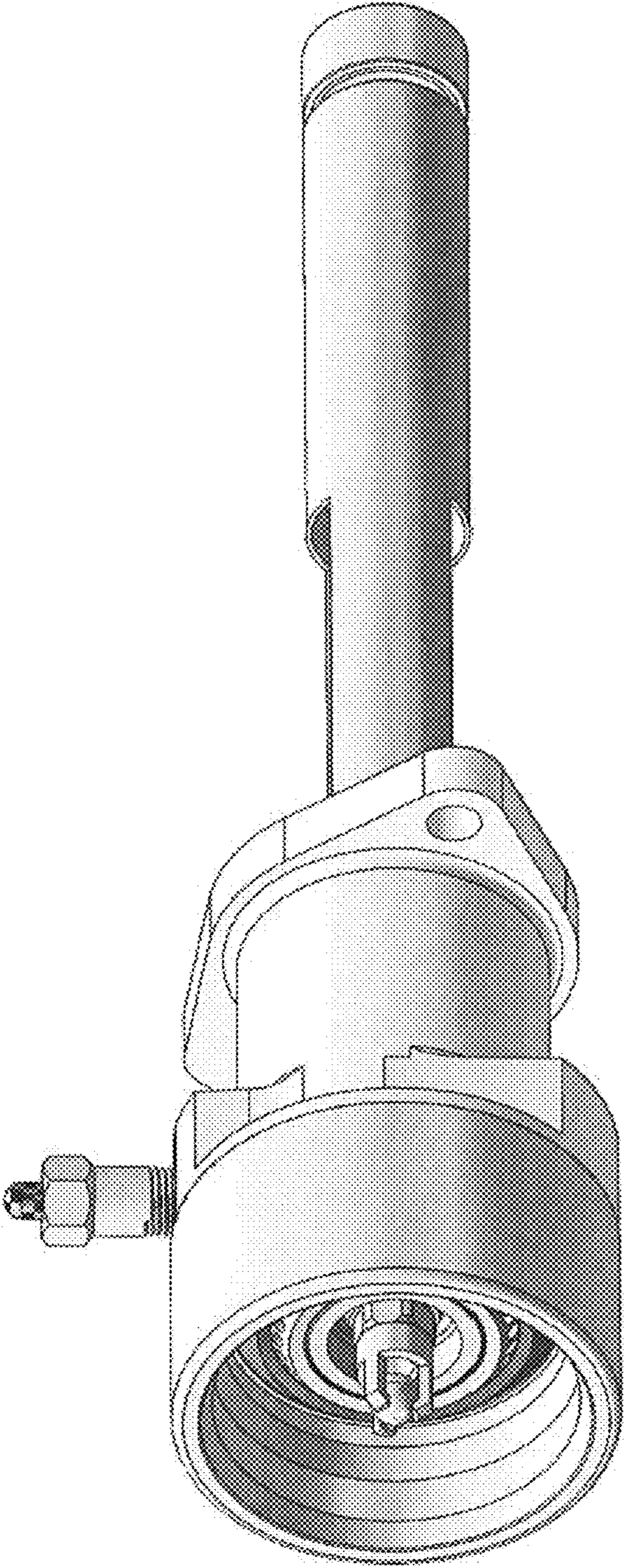
The ornamental design for a filling valve, as shown and described.

**DESCRIPTION**

FIG. 1 is a perspective view of a filling valve according to my new design;  
 FIG. 2 is another perspective view thereof;  
 FIG. 3 is another perspective view thereof;  
 FIG. 4 is another perspective view thereof;  
 FIG. 5 is a rear view thereof;  
 FIG. 6 is a front view thereof;  
 FIG. 7 is a left side view thereof;  
 FIG. 8 is a right side view thereof; and,  
 FIG. 9 is a bottom view thereof.

**1 Claim, 9 Drawing Sheets**





**FIG. 1**

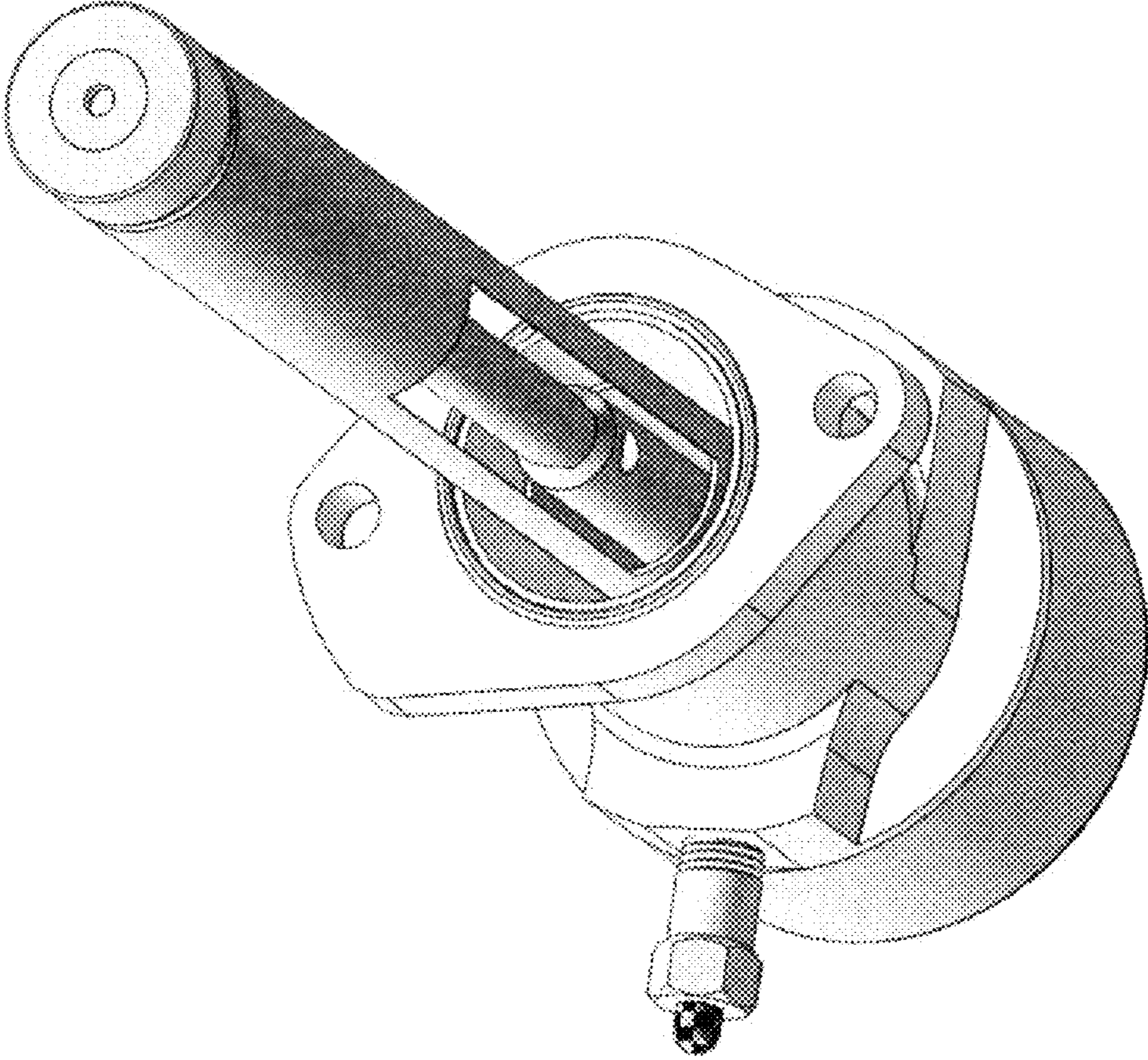
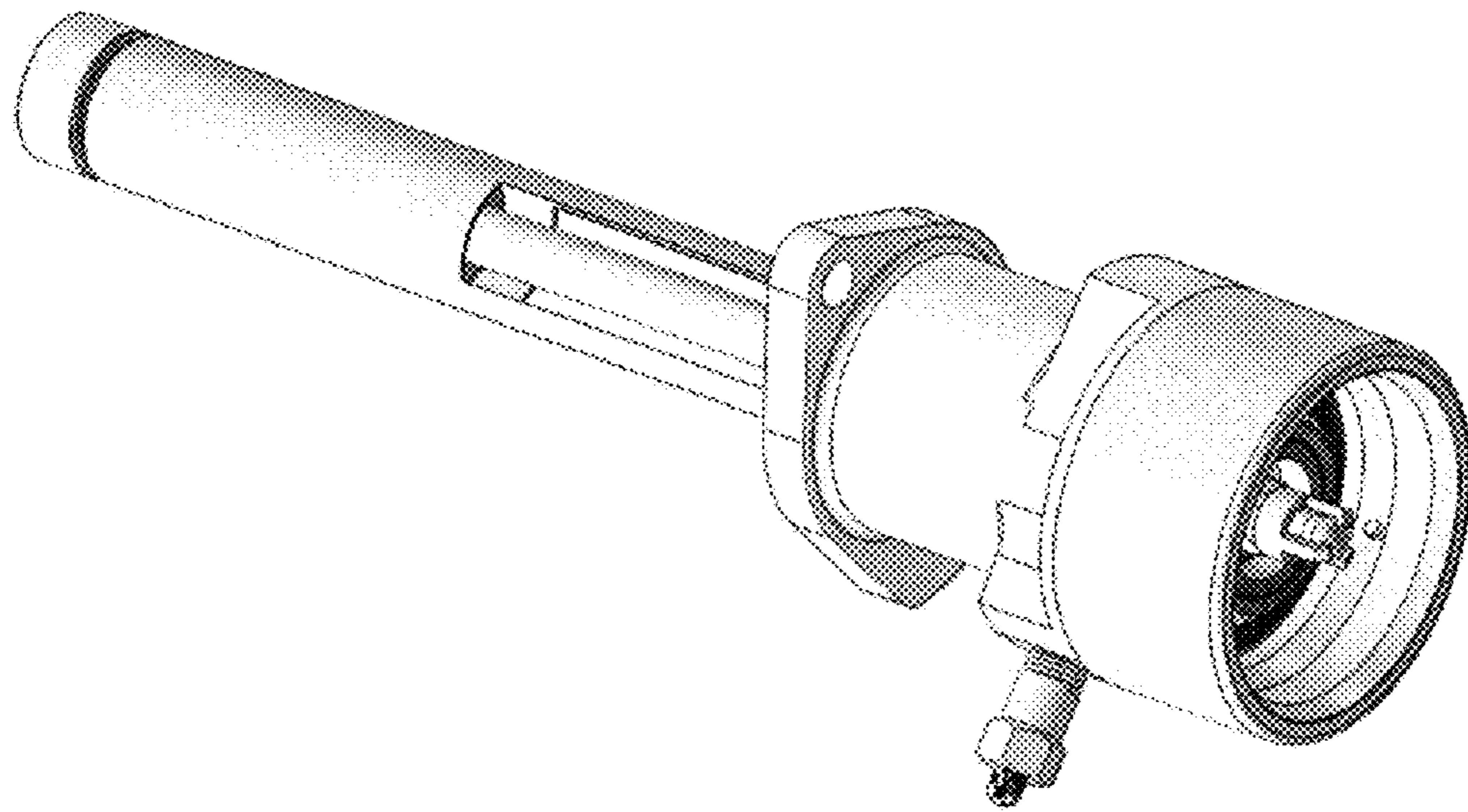
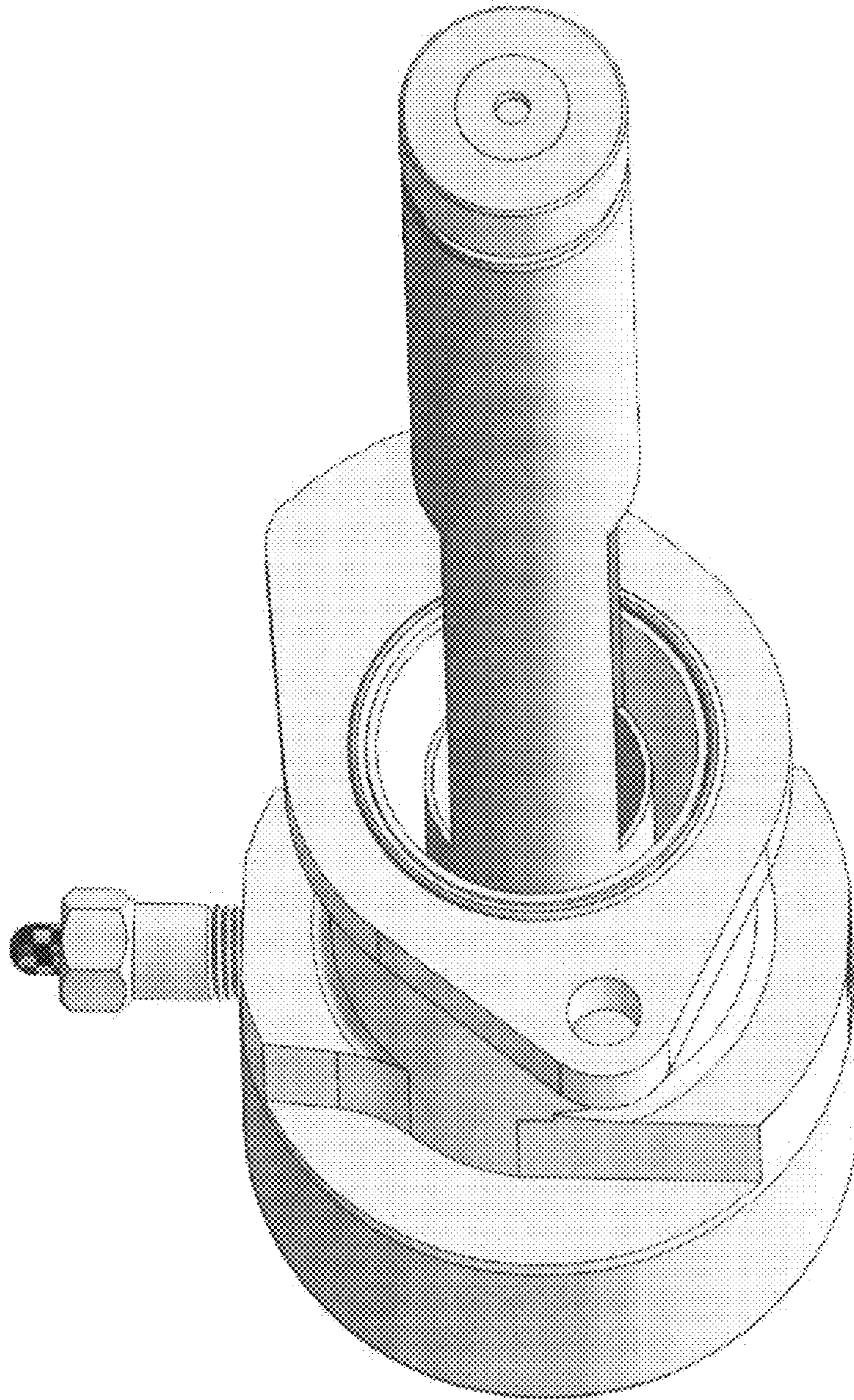


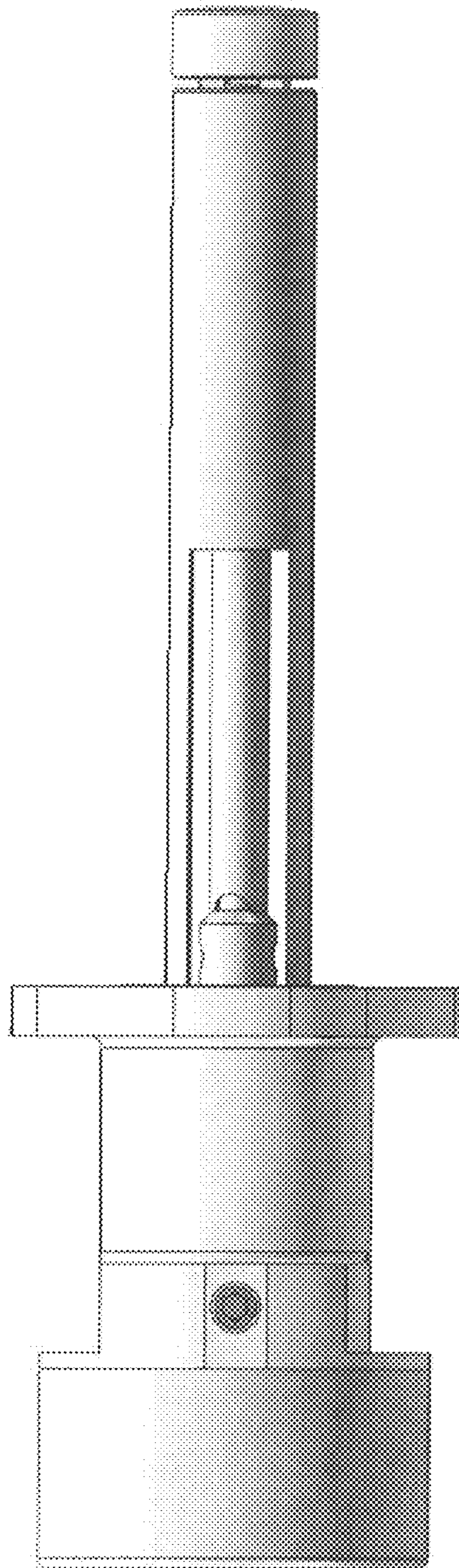
Fig. 2



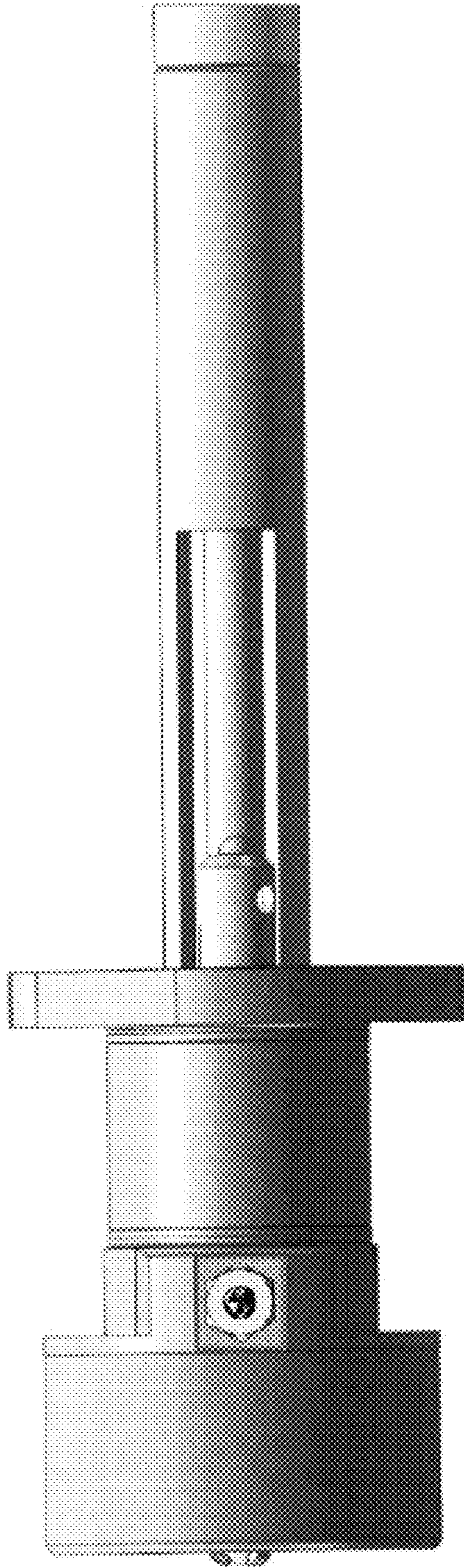
**FIG. 3**



**FIG. 4**



**FIG. 5**



**FIG. 6**

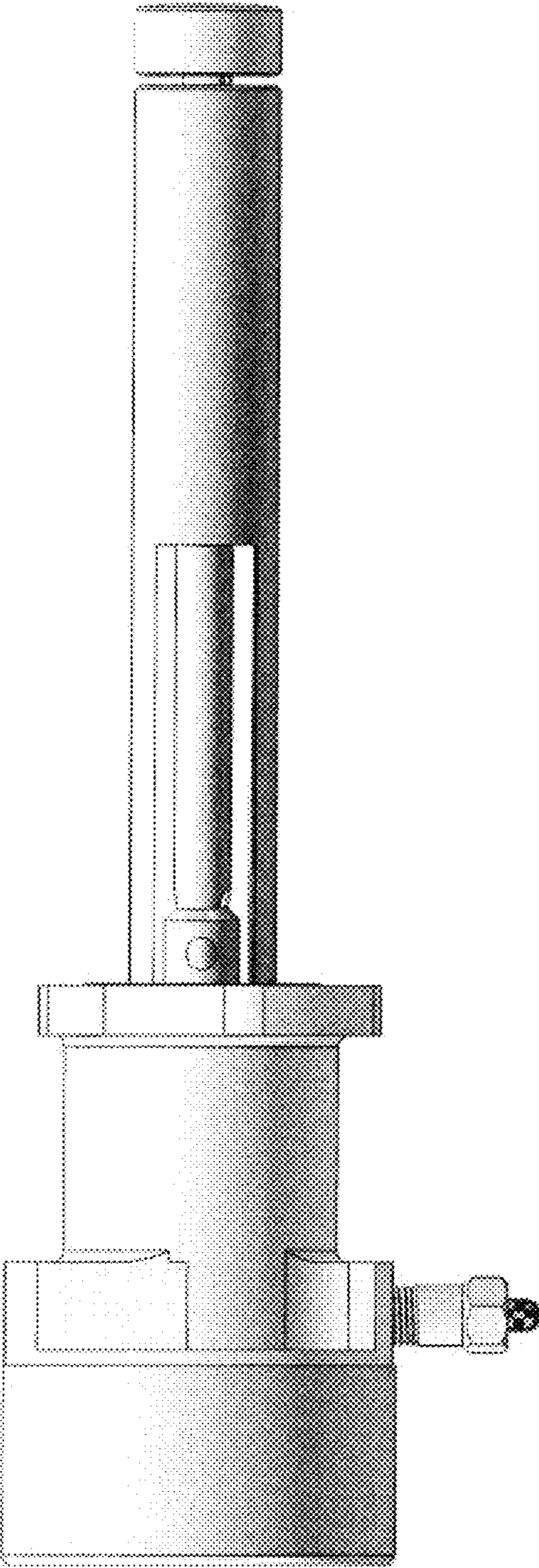
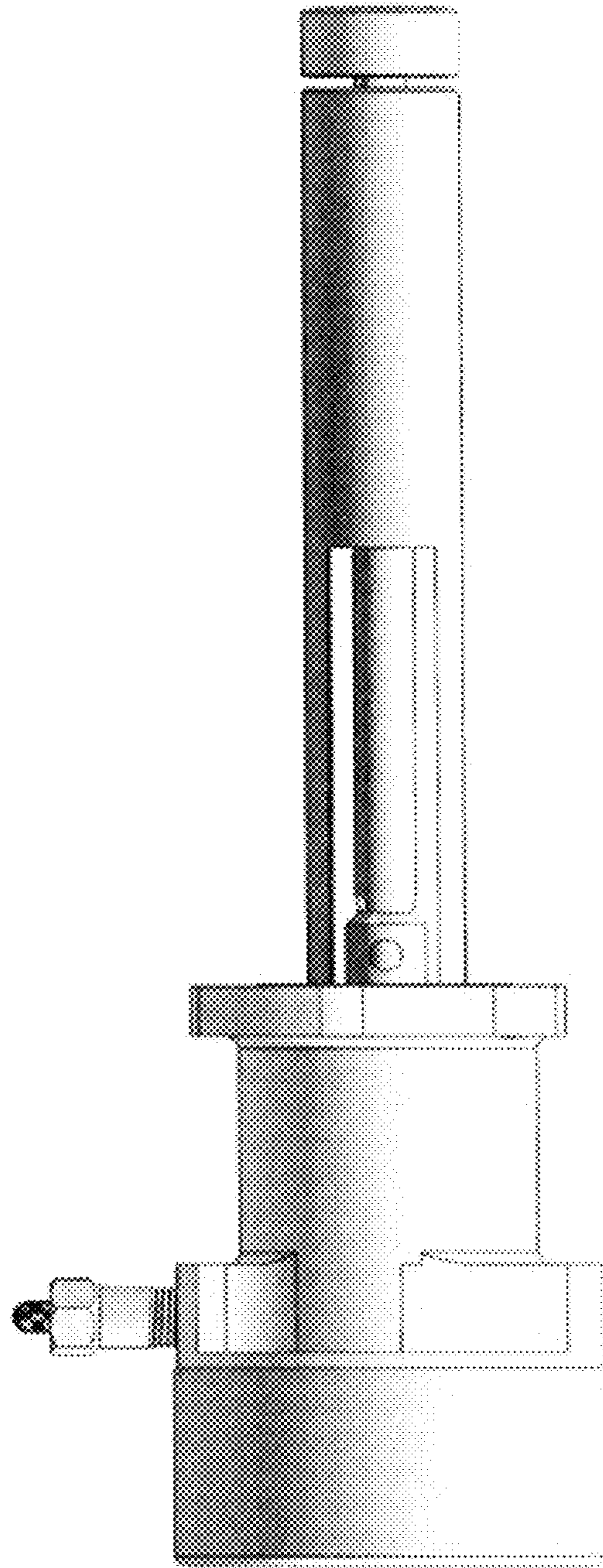
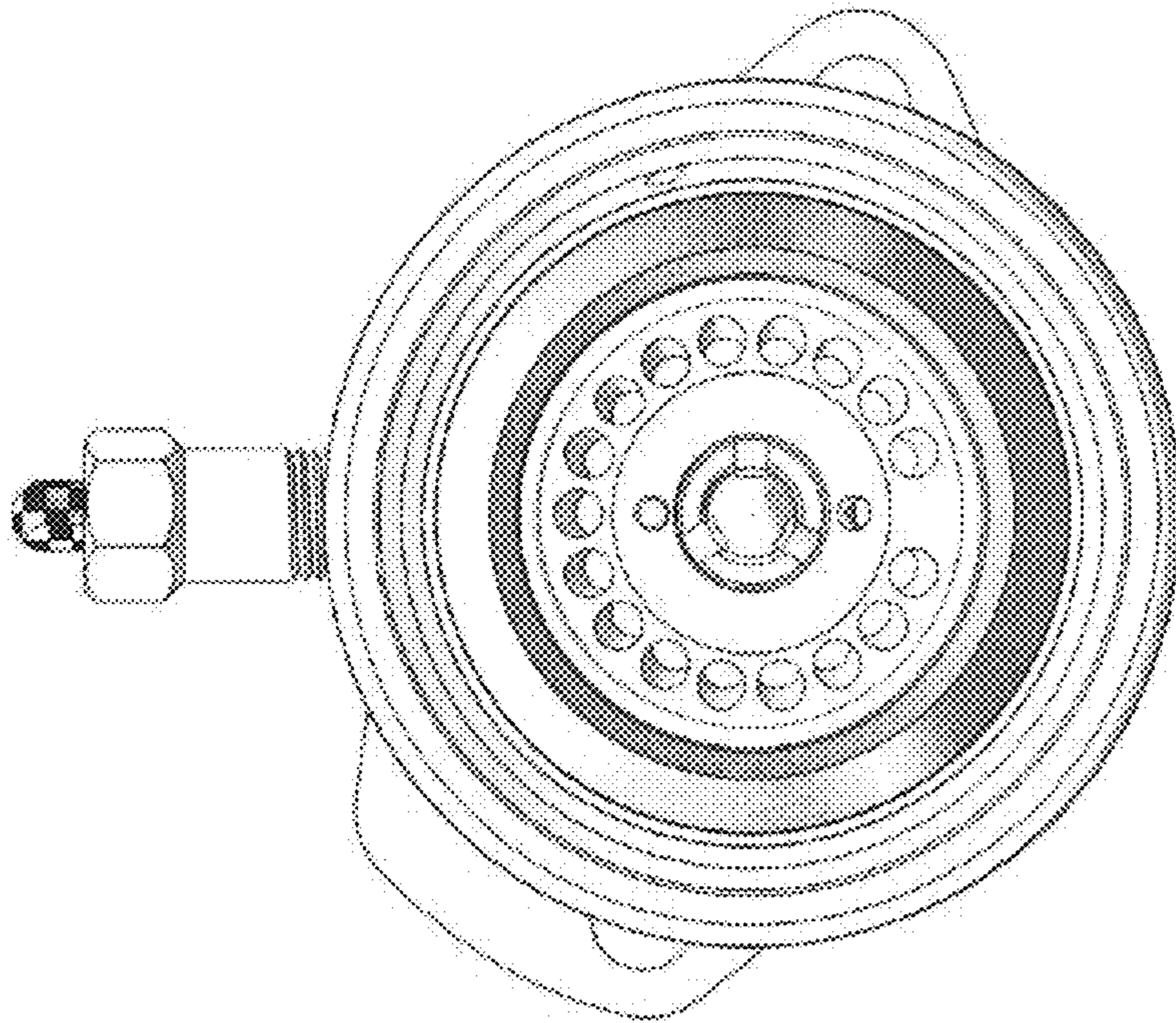


FIG. 7





**FIG. 8**



**FIG. 9**