



US00D755927S

(12) **United States Design Patent**
Holmberg et al.

(10) **Patent No.:** **US D755,927 S**

(45) **Date of Patent:** **** May 10, 2016**

(54) **VALVE CONTROL MODULE**

D640,640 S * 6/2011 Duckworth D13/162
D694,195 S * 11/2013 Gammon D13/162
D724,035 S * 3/2015 Flowers D13/162

(71) Applicant: **Honeywell International Inc.**,
Morristown, NJ (US)

OTHER PUBLICATIONS

(72) Inventors: **James Holmberg**, Champlin, MN (US);
Gregory Young, Richfield, MN (US);
Donald J. Kasprzyk, Maple Grove, MN
(US); **Stephane Joseph Pierre Beland**,
St-Jean-sur-Richelieu (CA); **Virginie
Turcotte**, Montreal (CA)

Google Image Search, "Gas Valve Controller," Google, 21 pages,
Aug. 7, 2014. <https://www.google.com/search?q=gas+valve+control+panel&source...>
Google Image Search, "Modular Valve Controller," Google, 19
pages, Aug. 7, 2014. <https://www.google.com/search?q=gas+valve+control+panel&source...>
Google Image Search, "Valve Control Module," Google, 19 pages,
Aug. 7, 2014. <https://www.google.com/search?q=gas+valve+control+panel&source...>

(73) Assignee: **Honeywell International Inc.**, Morris
Plains, NJ (US)

* cited by examiner

(**) Term: **14 Years**

Primary Examiner — Cynthia Ramirez

(21) Appl. No.: **29/497,894**

Assistant Examiner — Gino Colan

(22) Filed: **Jul. 29, 2014**

(74) *Attorney, Agent, or Firm* — Seager, Tufte & Wickhem,
LLP

(51) **LOC (10) Cl.** **23-01**

(57) **CLAIM**

(52) **U.S. Cl.**
USPC **D23/233**

The ornamental design for a valve control module, as shown
and described.

(58) **Field of Classification Search**
USPC D23/233–269; D8/300–312, 350–353;
D26/72, 85, 88; D13/162, 171, 177;
137/601.14
CPC .. F16K 31/02; F16K 11/0655; F16K 37/0025
See application file for complete search history.

DESCRIPTION

(56) **References Cited**

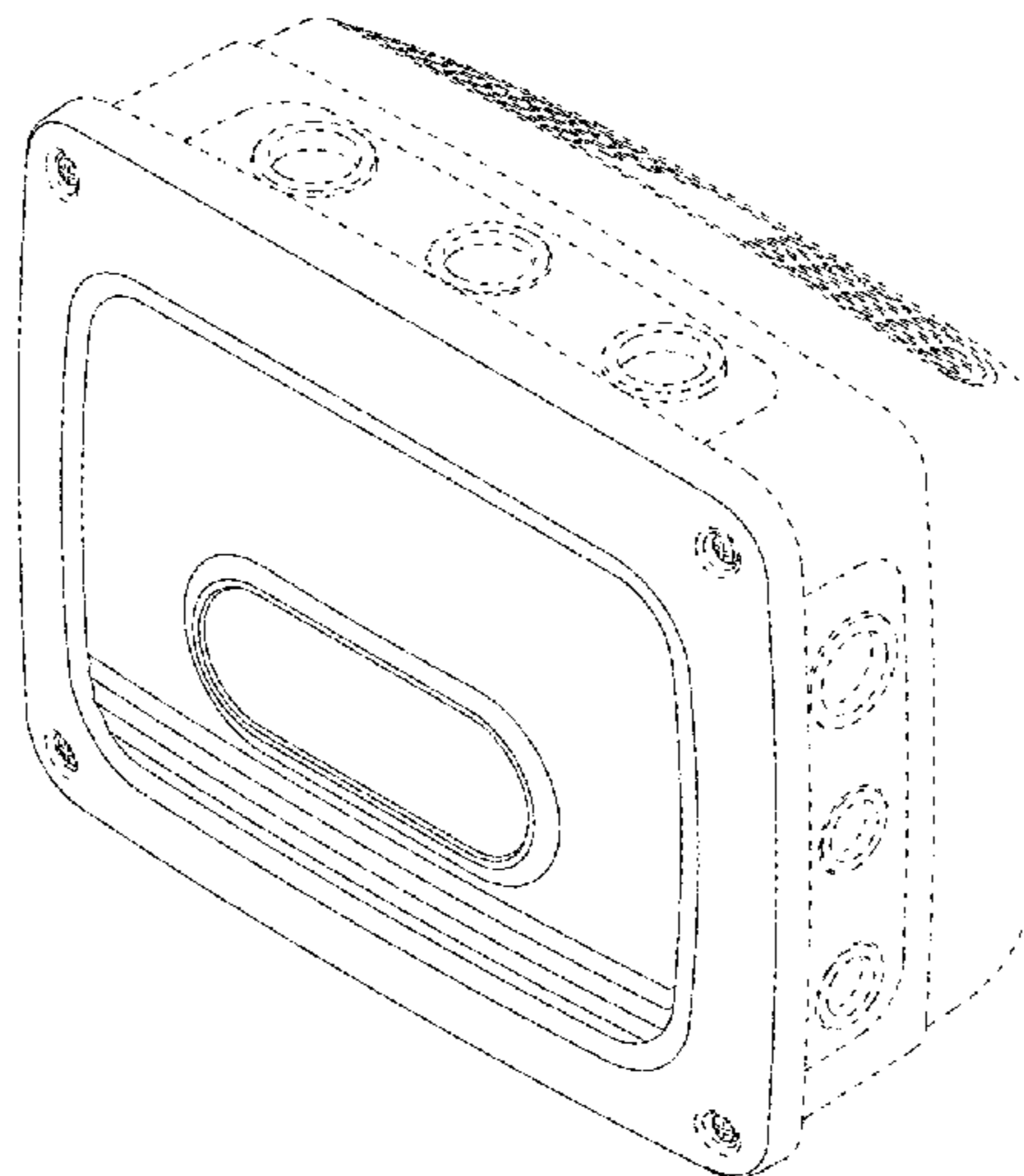
U.S. PATENT DOCUMENTS

D525,211 S 7/2006 Tanabe
D559,198 S * 1/2008 Blair D13/162
D589,907 S * 4/2009 Kobayashi D13/171
D591,182 S * 4/2009 Schoenherr D23/304
D624,880 S * 10/2010 Felegy, Jr. D13/168
D627,309 S * 11/2010 Snyder D13/171
D628,276 S * 11/2010 Allard D23/250
D628,678 S * 12/2010 Allard D23/250
D631,946 S * 2/2011 Allard D23/250

FIG. 1 is a perspective view of a valve control module in
accordance with the present design;
FIG. 2 is a front view of the valve control module of FIG. 1;
FIG. 3 is a left side view of the valve control module of FIG.
1;
FIG. 4 is a right side view of the valve control module of FIG.
1;
FIG. 5 is a top plan view of the valve control module of FIG.
1; and
FIG. 6 is a bottom plan view of the valve control module of
FIG. 1.

The broken lines showing in the figures are for the purpose of
illustrating portions of the valve control module and form no
part of the claimed design.

1 Claim, 6 Drawing Sheets



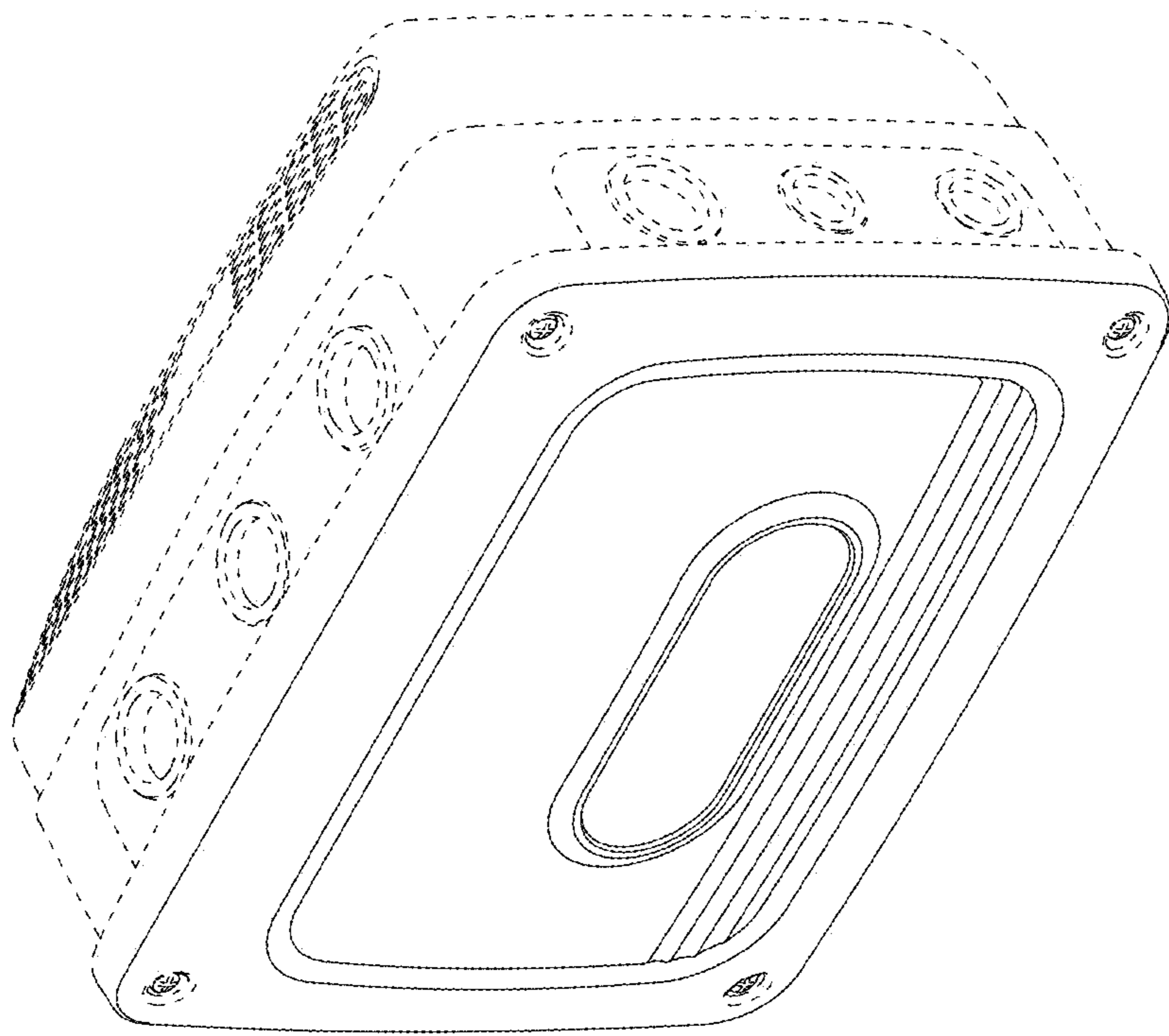


Figure 1

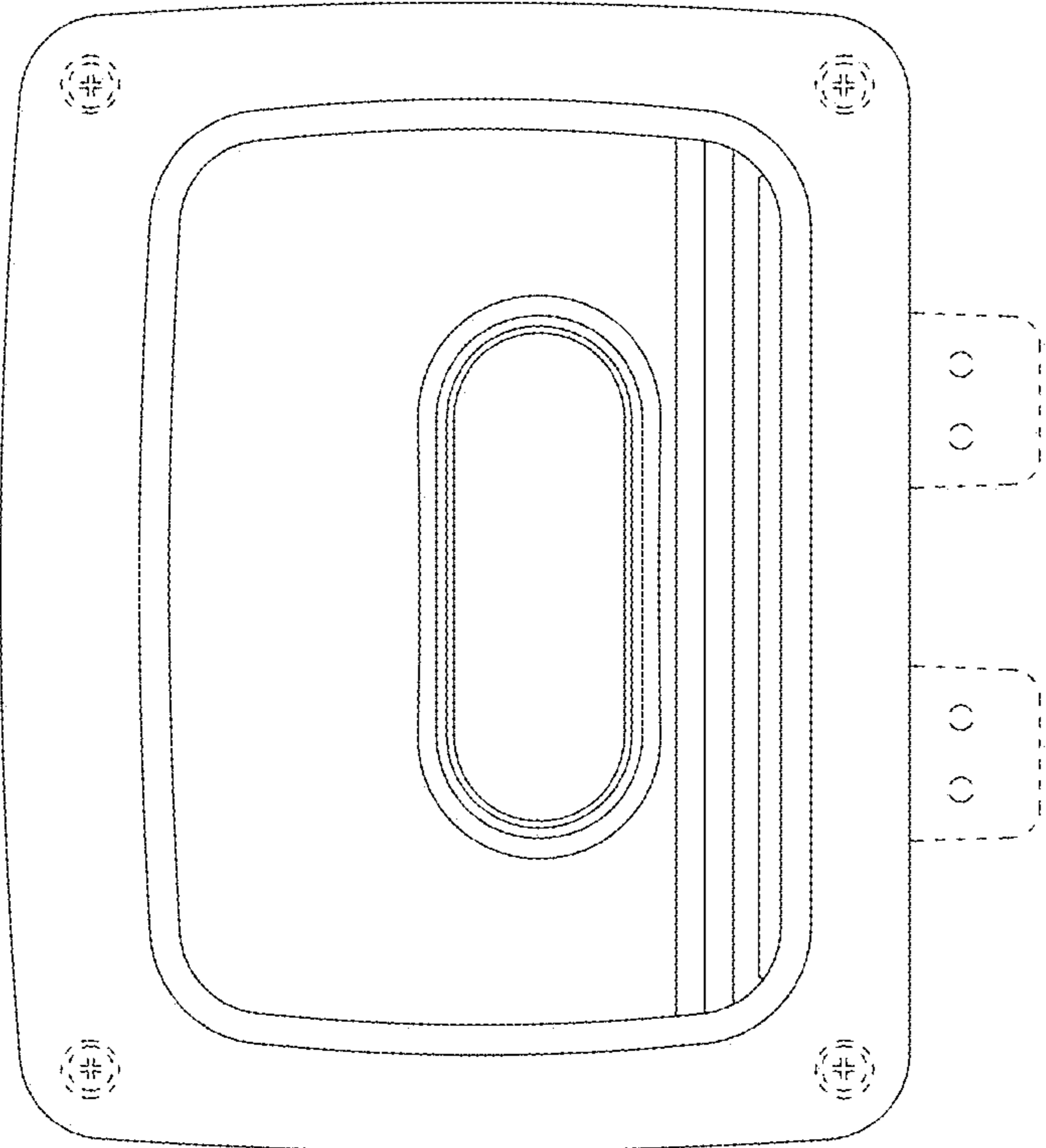


Figure 2

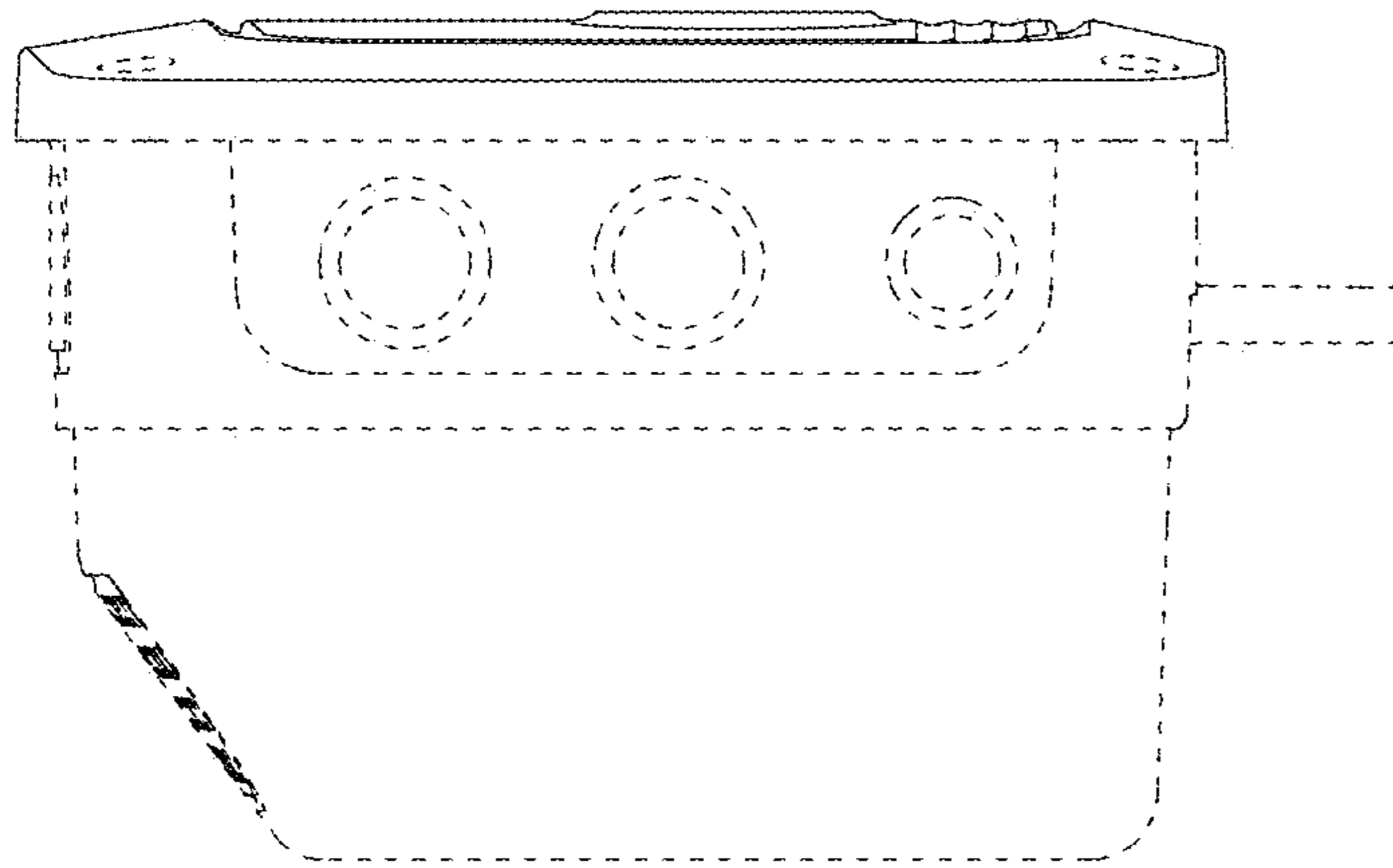


Figure 3

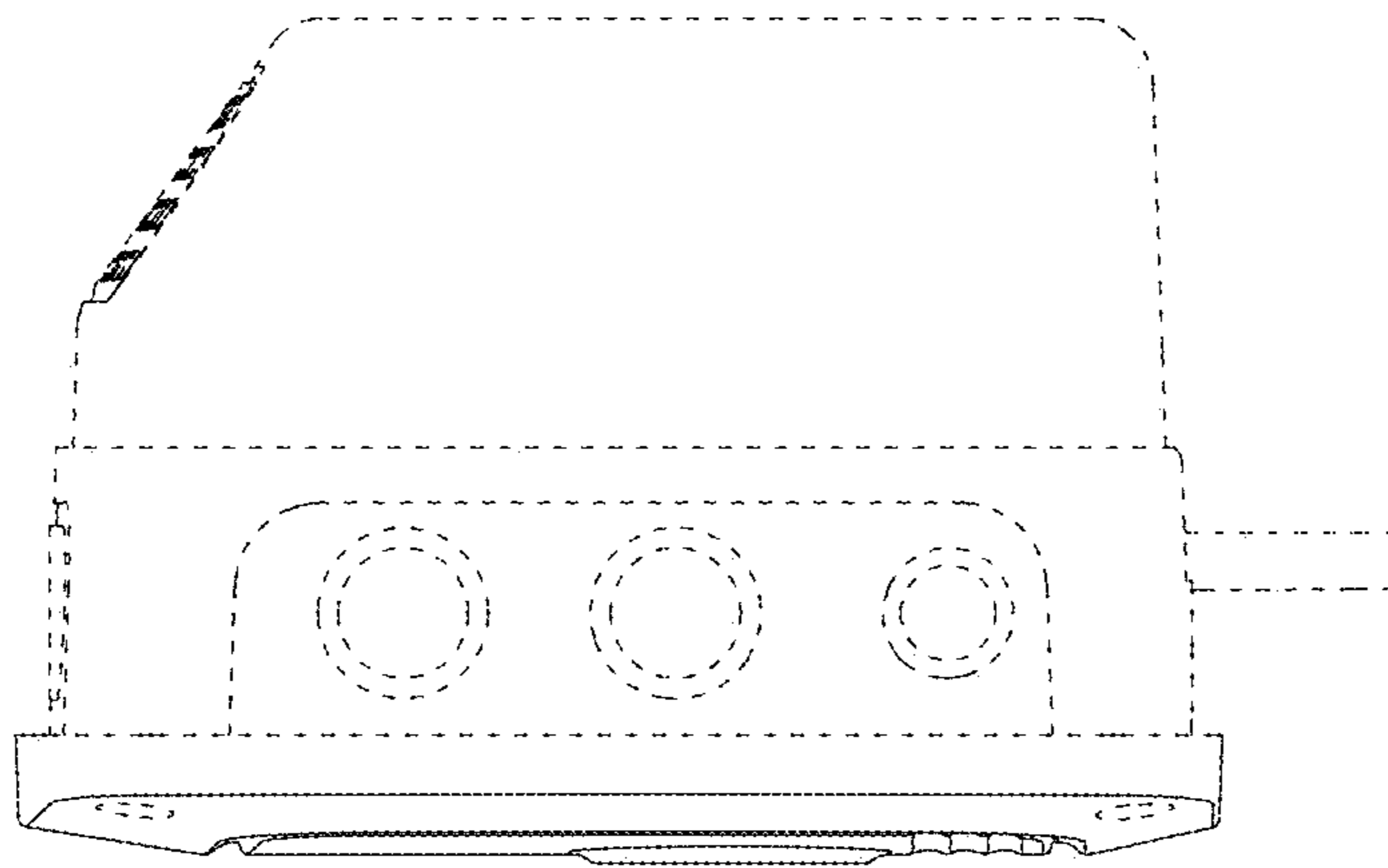


Figure 4

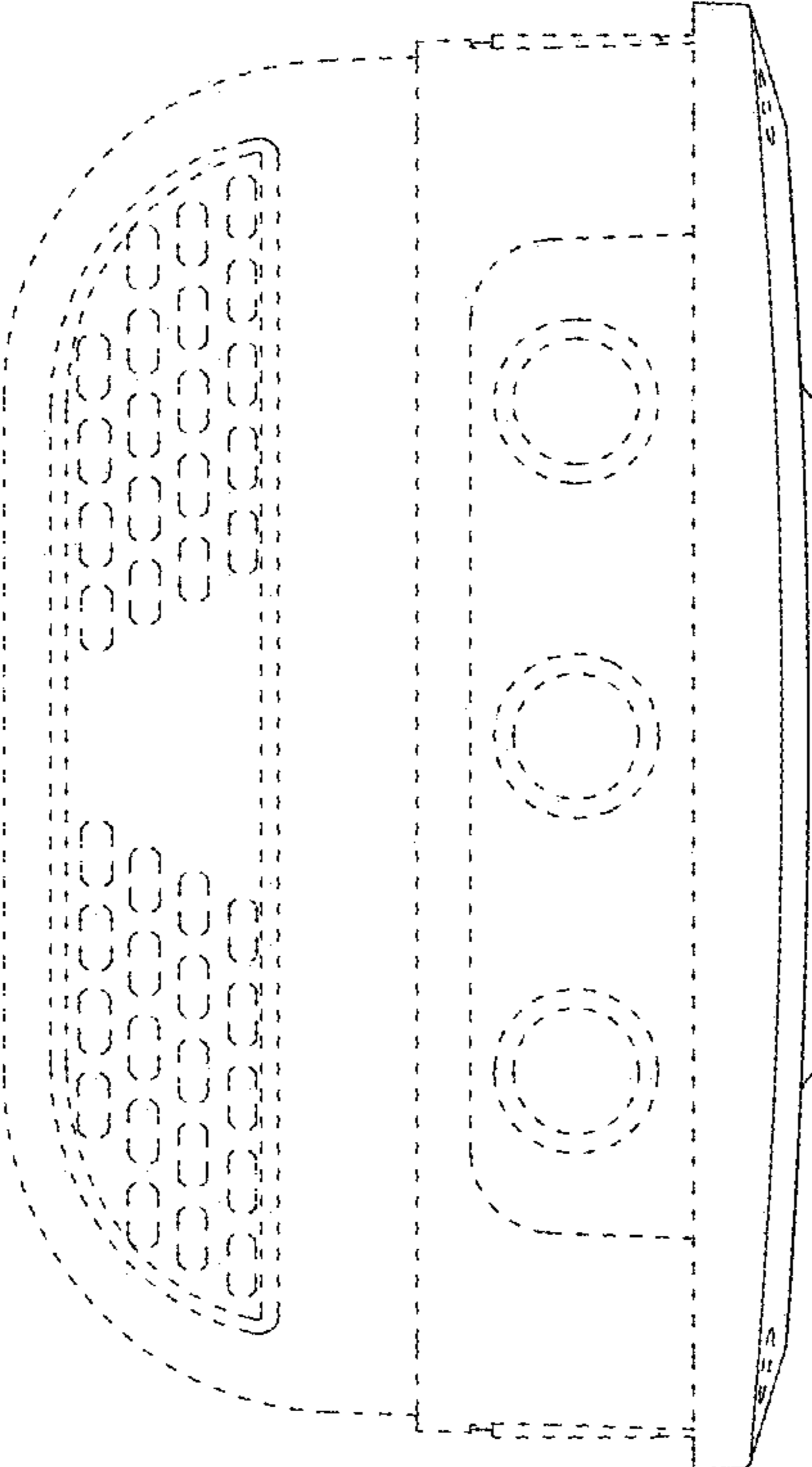


Figure 5

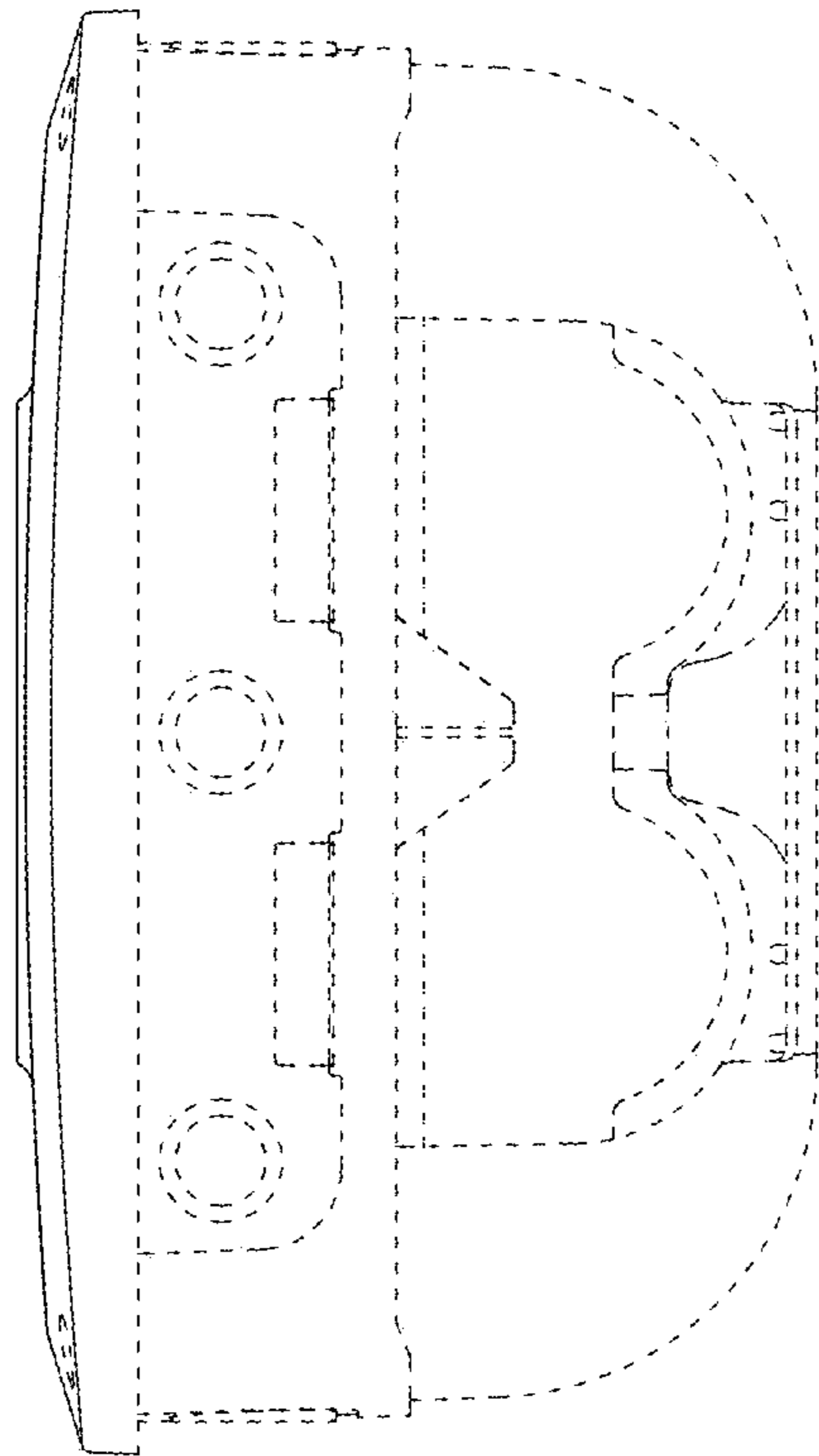


Figure 6