



US00D755926S

(12) **United States Design Patent**
Wirz Luchsinger

(10) **Patent No.:** **US D755,926 S**
(45) **Date of Patent:** **** May 10, 2016**

- (54) **SPRAYER TANK WITH SKIRT**
- (71) Applicant: **Swissmex-Rapid, S.A. de C.V.**, Lagos de Moreno (MX)
- (72) Inventor: **Pedro Wirz Luchsinger**, Lagos de Moreno (MX)
- (**) Term: **14 Years**
- (21) Appl. No.: **29/517,757**
- (22) Filed: **Feb. 16, 2015**
- (51) **LOC (10) Cl.** **23-01**
- (52) **U.S. Cl.**
USPC **D23/225; D23/202**
- (58) **Field of Classification Search**
USPC **D23/213, 225, 202; 239/152-154; 222/175**
CPC **B05B 9/08**
See application file for complete search history.

(56) **References Cited**
U.S. PATENT DOCUMENTS

4,702,416	A	10/1987	Pagliai et al.	
4,768,714	A	9/1988	Luchsinger	
4,798,333	A	1/1989	Luchsinger	
5,240,186	A	8/1993	Dobbins et al.	
5,335,853	A	8/1994	Wirz	
5,478,015	A	12/1995	Black	
5,636,791	A *	6/1997	Leer	B05B 9/0877 239/142
5,671,884	A	9/1997	Restive	
5,752,661	A *	5/1998	Lewis	B05B 9/0861 222/175
5,775,543	A	7/1998	Wahrenbock	
5,857,618	A	1/1999	Restive	
5,984,199	A	11/1999	Restive	
6,412,707	B1	7/2002	Wirz	
6,729,558	B1	5/2004	Seenauth	
7,007,826	B2 *	3/2006	Shapanus	B05B 9/0861 222/175
7,309,028	B2	12/2007	Langhans et al.	

D567,897 S 4/2008 Hillhouse
(Continued)

OTHER PUBLICATIONS

United States Trademark Registration No. 3,803,237, registration date Jun. 15, 2010.

Primary Examiner — Robin V Webster

(74) *Attorney, Agent, or Firm* — Robert D. Buyan; Stout, Uxa & Buyan, LLP

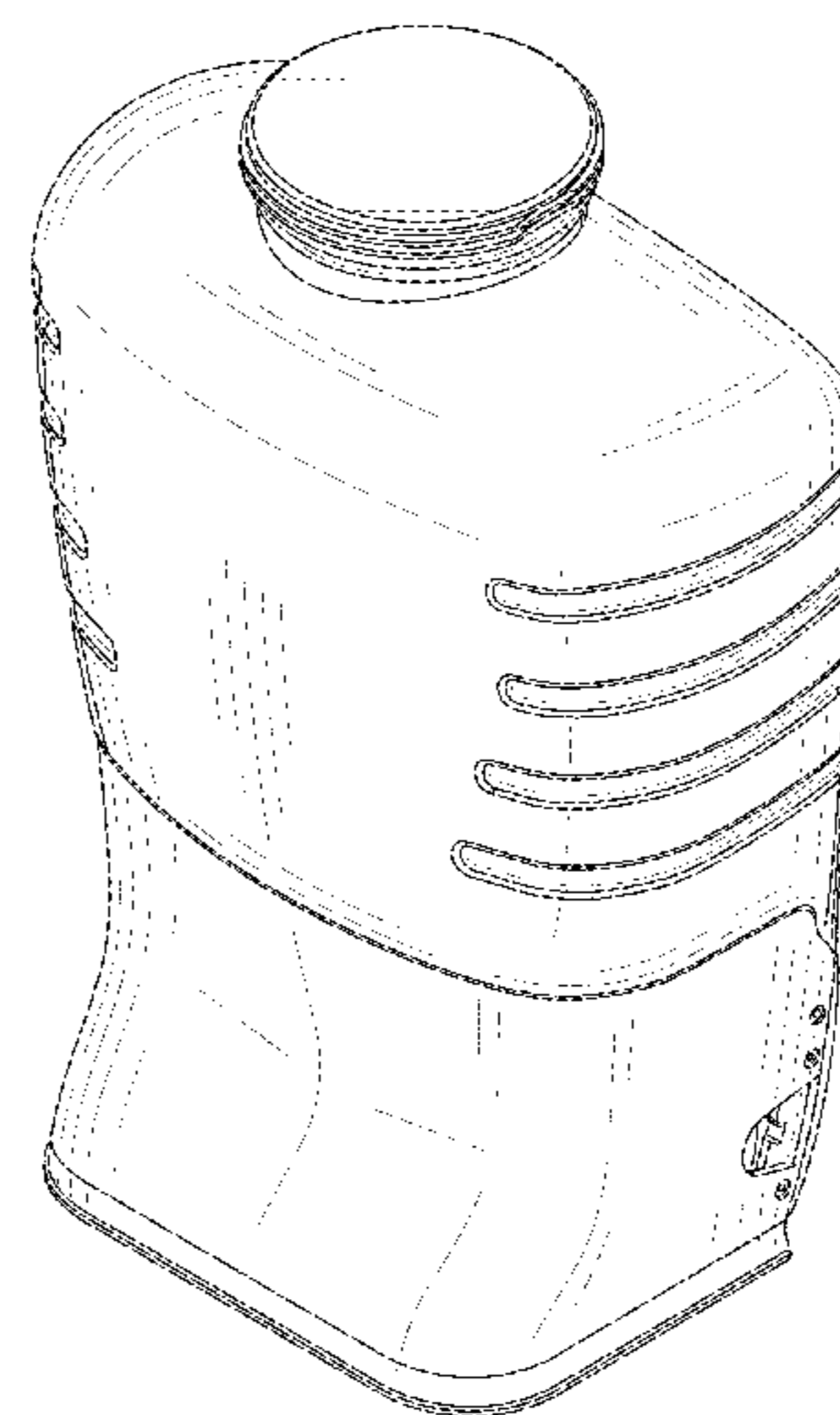
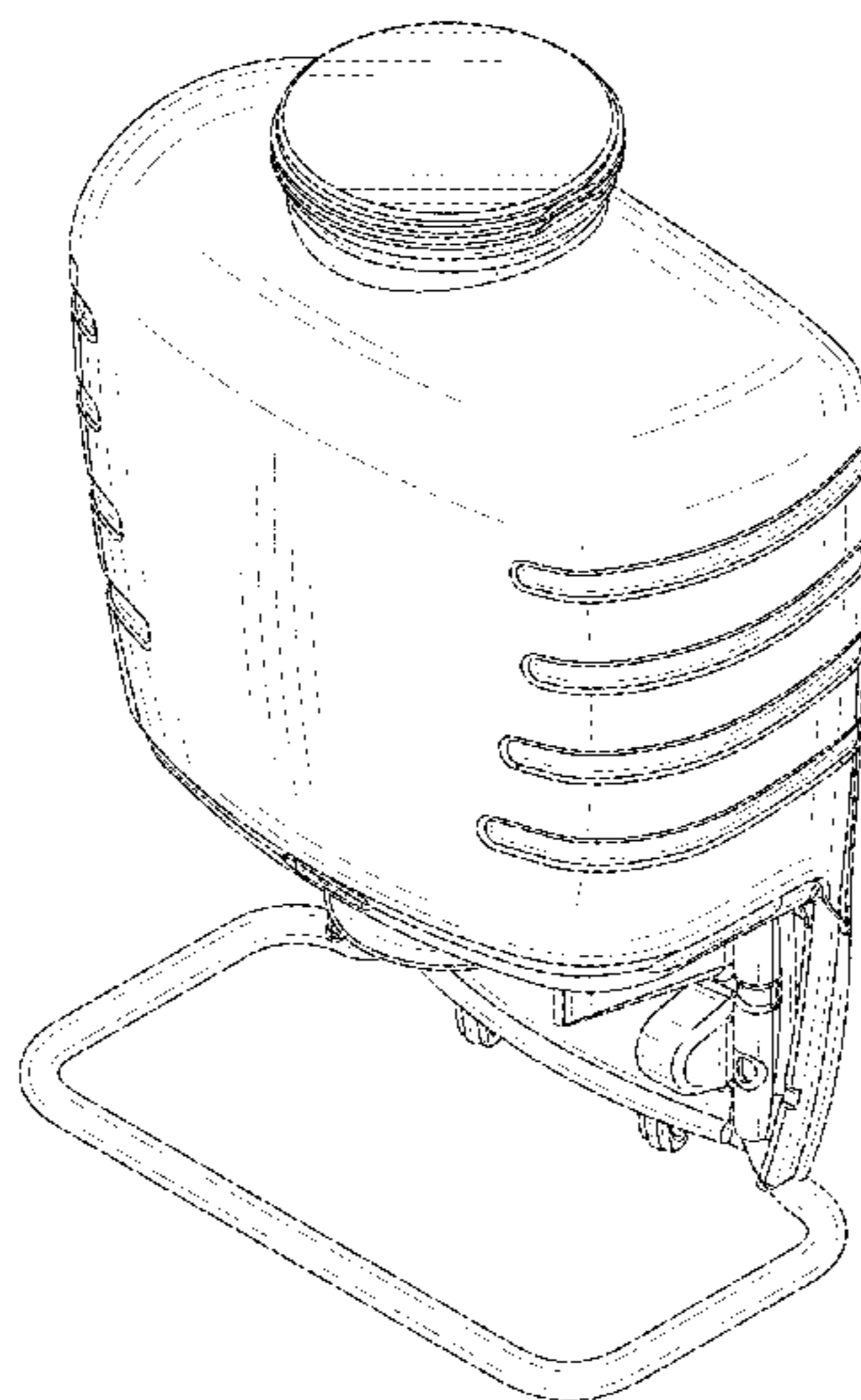
(57) **CLAIM**

The ornamental design for a sprayer tank with skirt, as shown and described.

DESCRIPTION

FIG. 1 is a front view of an embodiment of a tank;
 FIG. 2 is a rear view of the embodiment of FIG. 1;
 FIG. 3 is a left side view of the embodiment of FIG. 1;
 FIG. 4 is a right side view of the embodiment of FIG. 1;
 FIG. 5 is a top view of the embodiment of FIG. 1;
 FIG. 6 is a bottom view of the embodiment of FIG. 1;
 FIG. 7 is a right-front perspective view of the embodiment of FIG. 1;
 FIG. 8 is a front view of view of the embodiment of FIG. 1 with skirt;
 FIG. 9 is a rear view of the embodiment of FIG. 1 with skirt;
 FIG. 10 is a right side view of the embodiment of FIG. 1 with skirt;
 FIG. 11 is a left side view of the embodiment of FIG. 1 with skirt;
 FIG. 12 is a top view of the embodiment of FIG. 1 with skirt;
 FIG. 13 is a bottom view of the embodiment of FIG. 1 with skirt; and,
 FIG. 14 is a right-front perspective view of the embodiment of FIG. 1 with skirt.

1 Claim, 12 Drawing Sheets



(56)

References Cited

U.S. PATENT DOCUMENTS

D570,447 S 6/2008 Hillhouse
D591,387 S 4/2009 Campbell
D609,773 S 2/2010 Abernethy et al.
D616,959 S 6/2010 Wu
7,854,396 B2 12/2010 Wu
D633,984 S 3/2011 Plantz

D672,848 S * 12/2012 Wirz Luchsinger D23/202
D685,057 S * 6/2013 Wirz Luchsinger D23/202
8,616,466 B2 * 12/2013 Strauss A01M 7/0046
222/175
D719,638 S * 12/2014 Pagliai D23/225
D719,639 S * 12/2014 Pagliai D23/225
D741,452 S * 10/2015 Carrozza D23/225
2004/0112982 A1 6/2004 Dilley
2006/0261181 A1 11/2006 Wirz

* cited by examiner

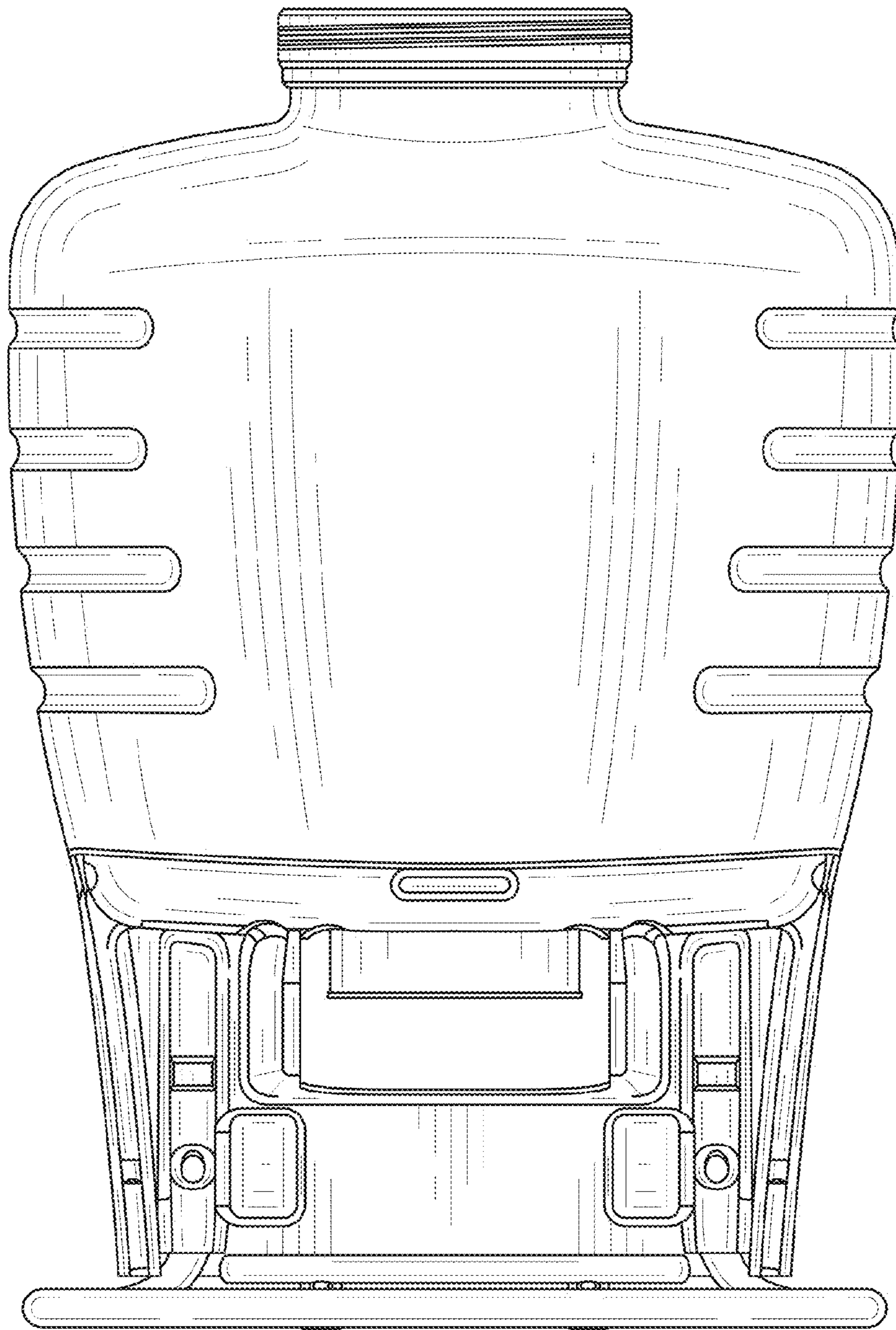


FIG. 1

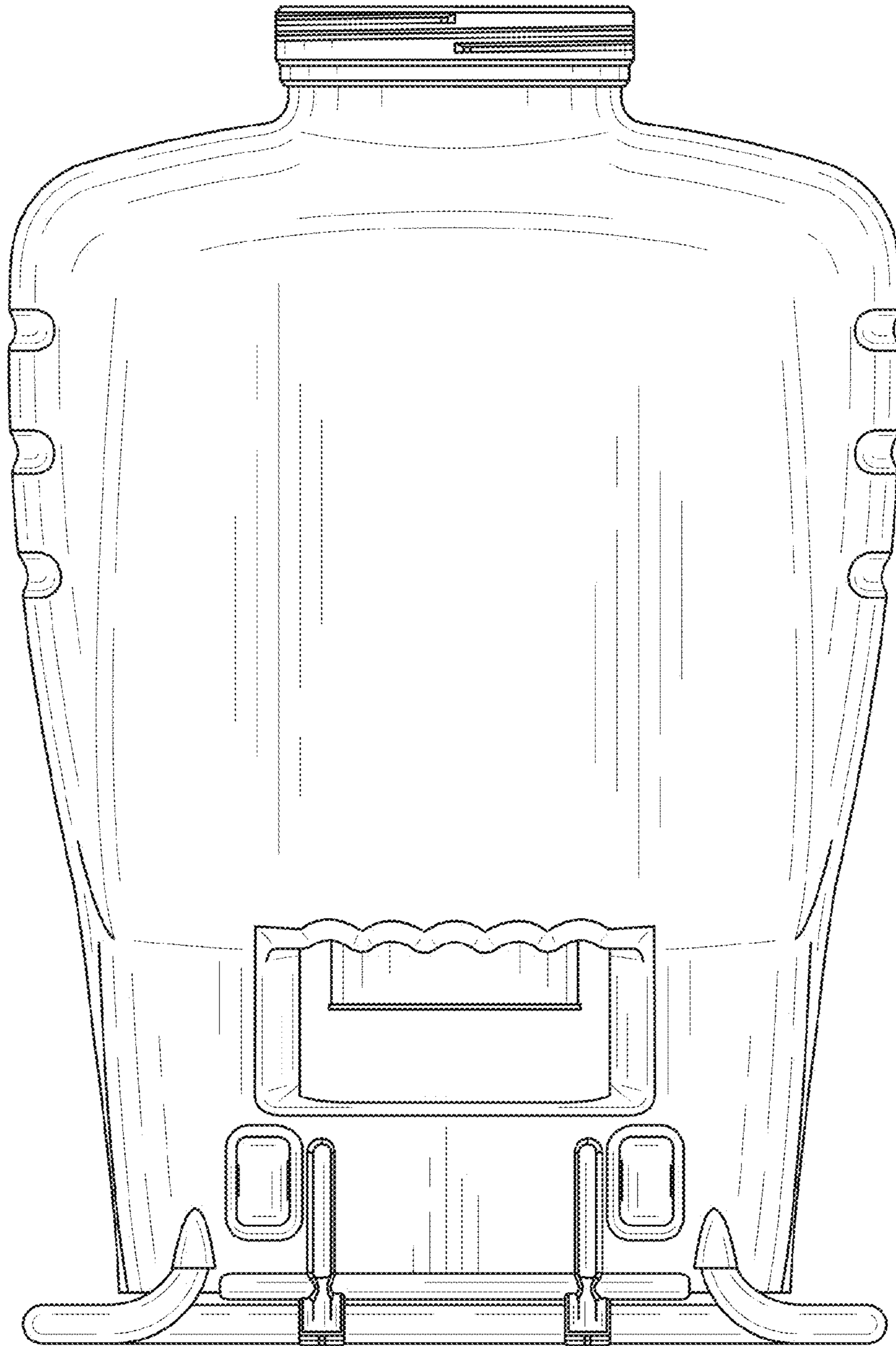


FIG. 2

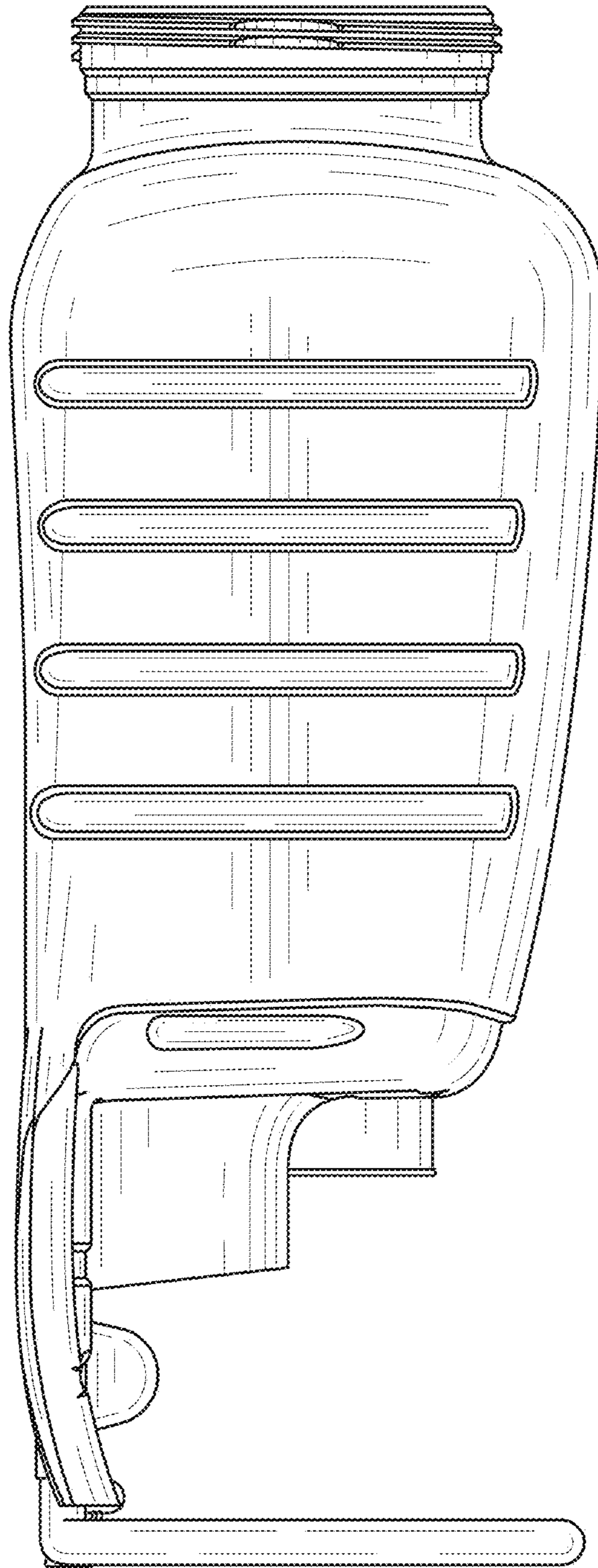


FIG. 3

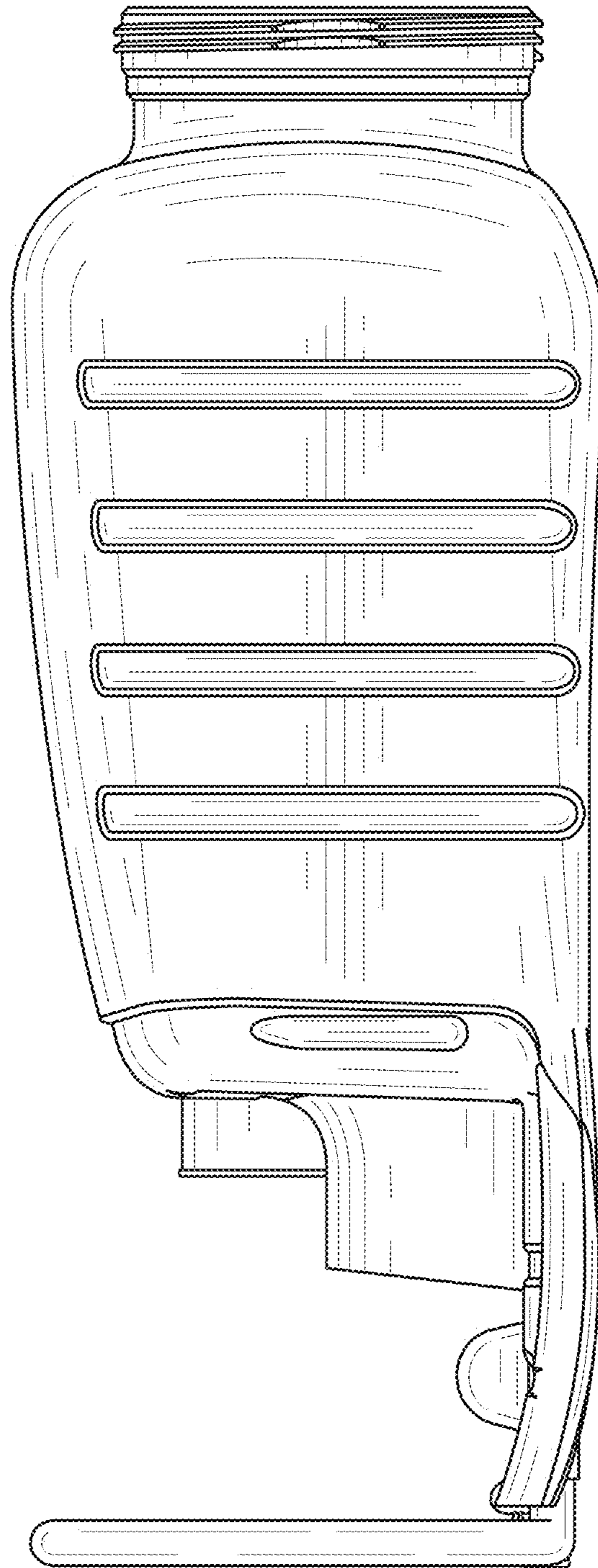


FIG. 4

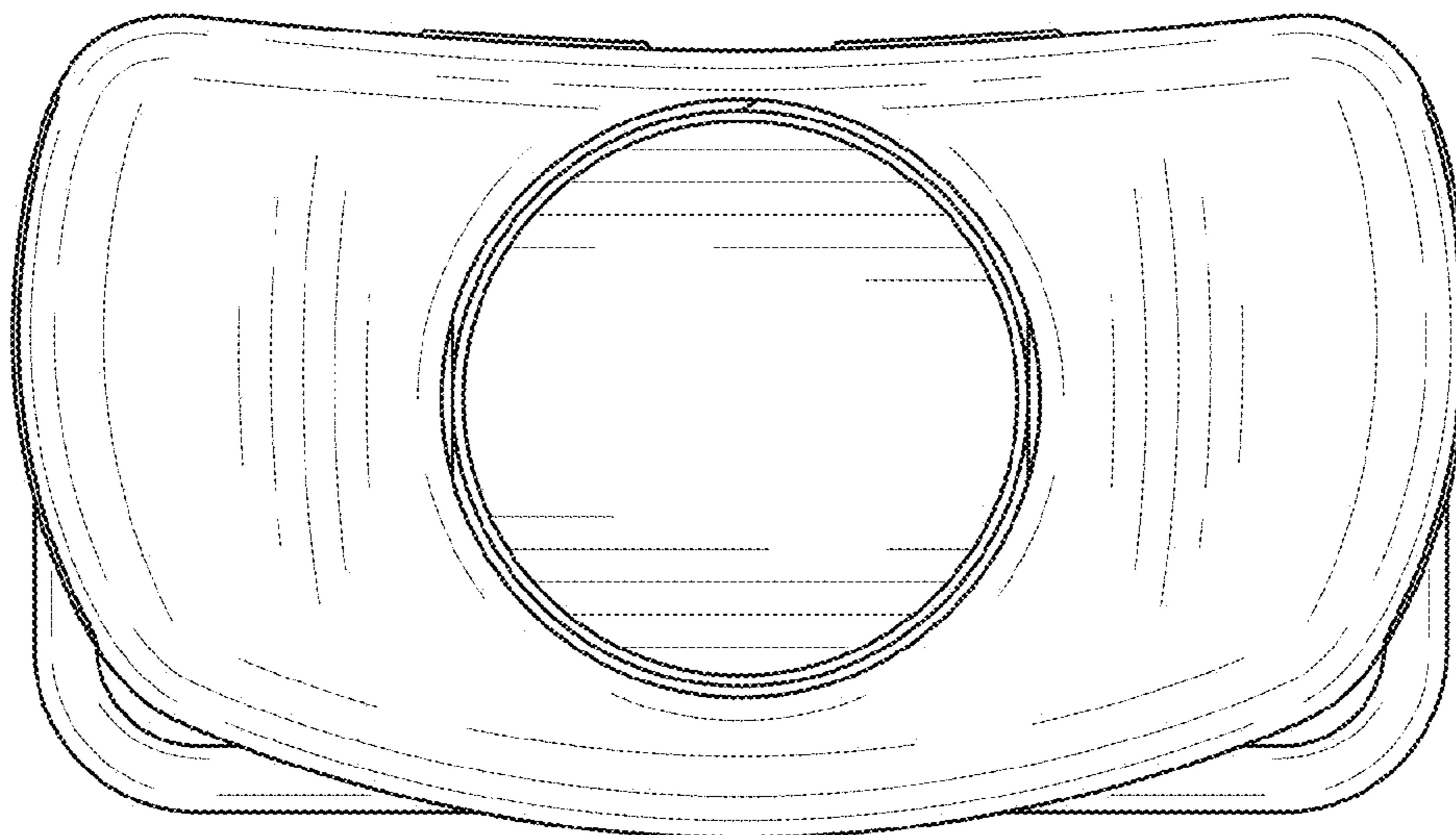


FIG. 5

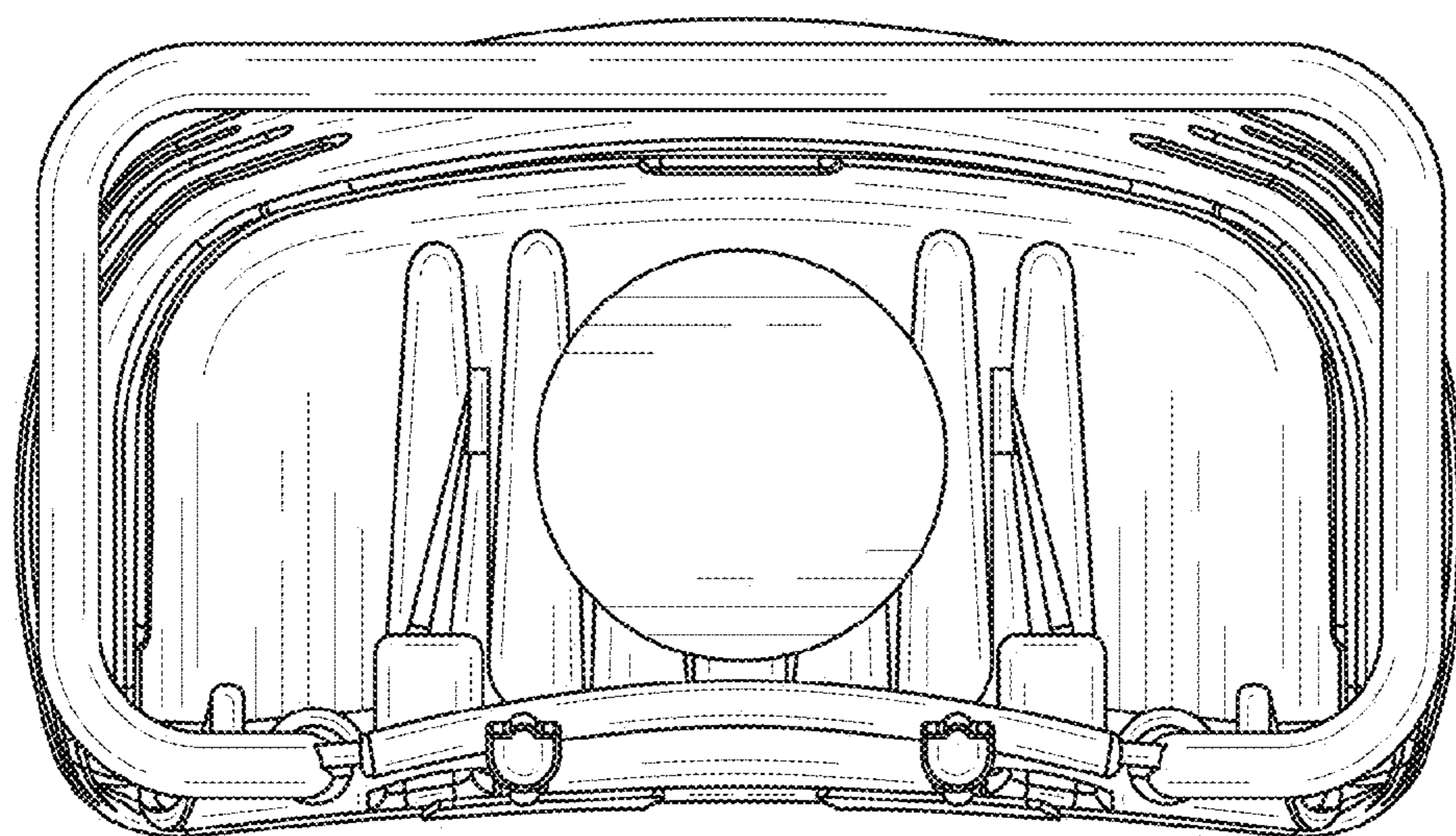


FIG. 6

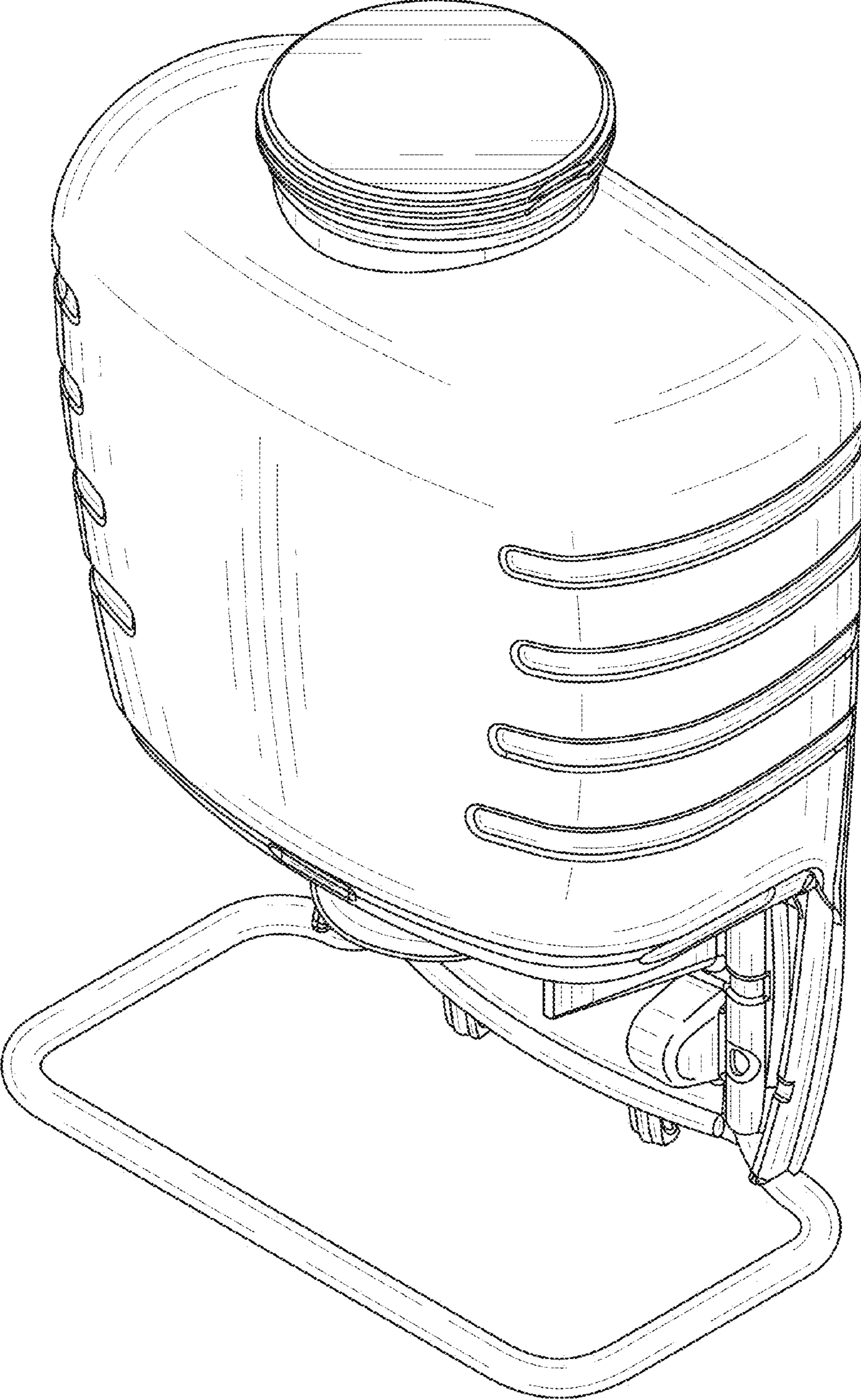


FIG. 7

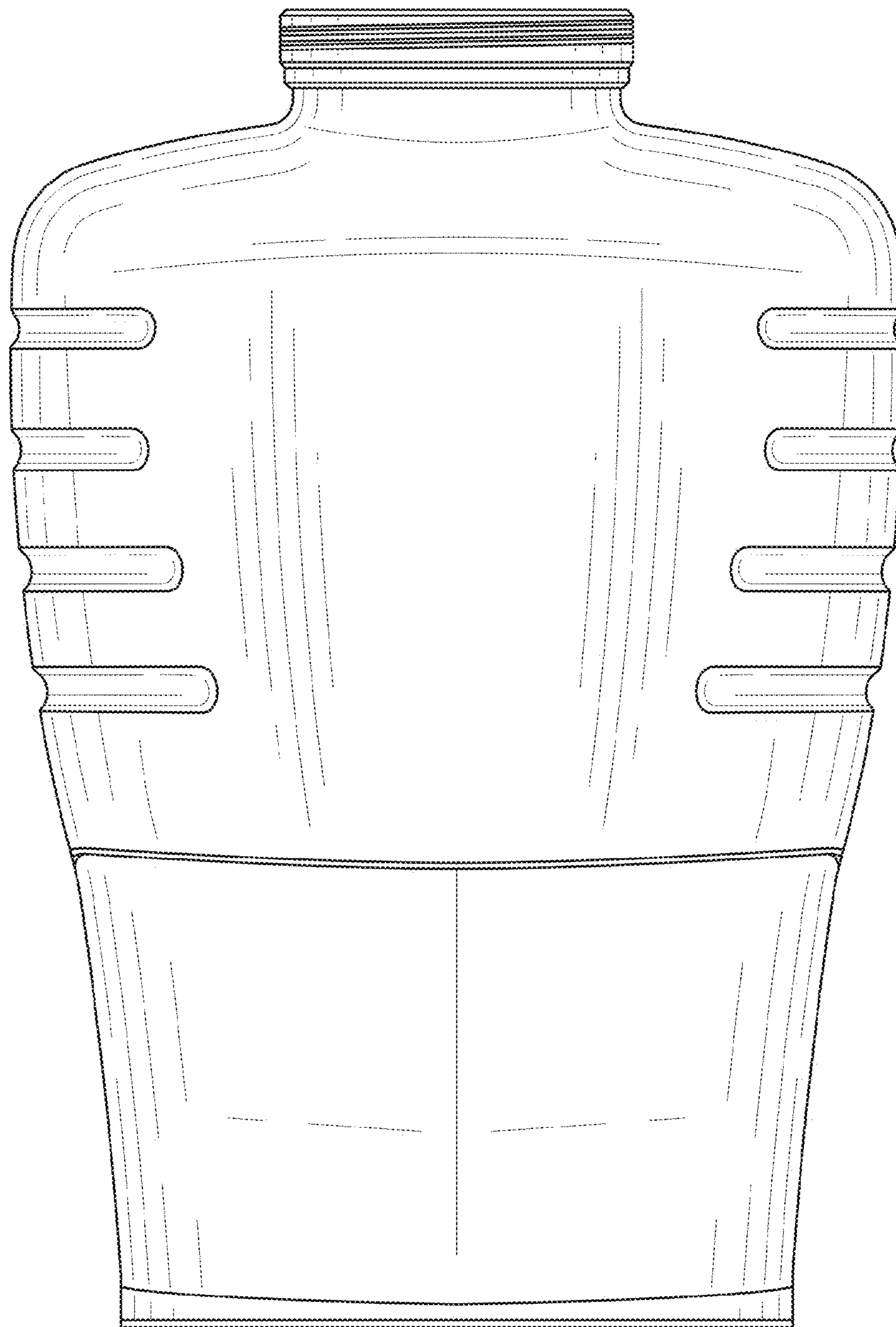


FIG. 8

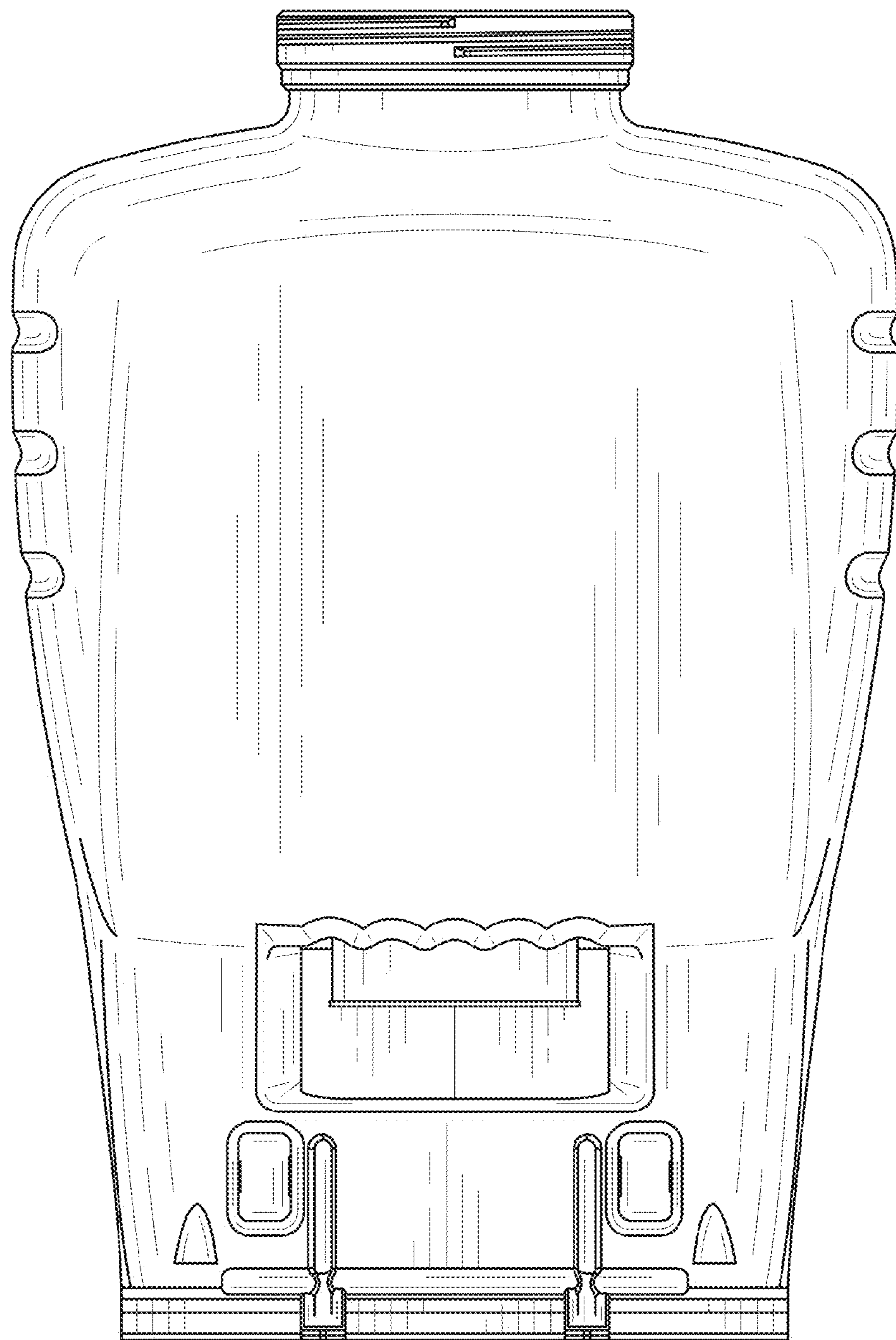


FIG. 9

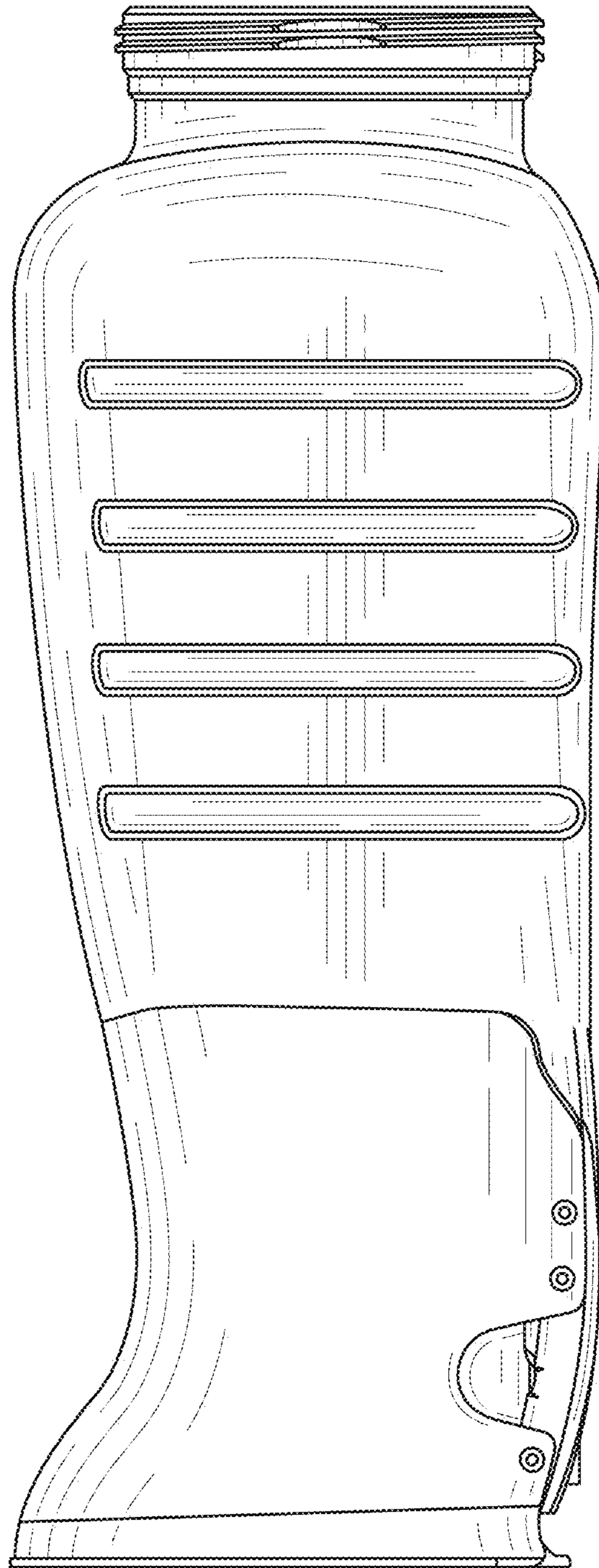


FIG. 10

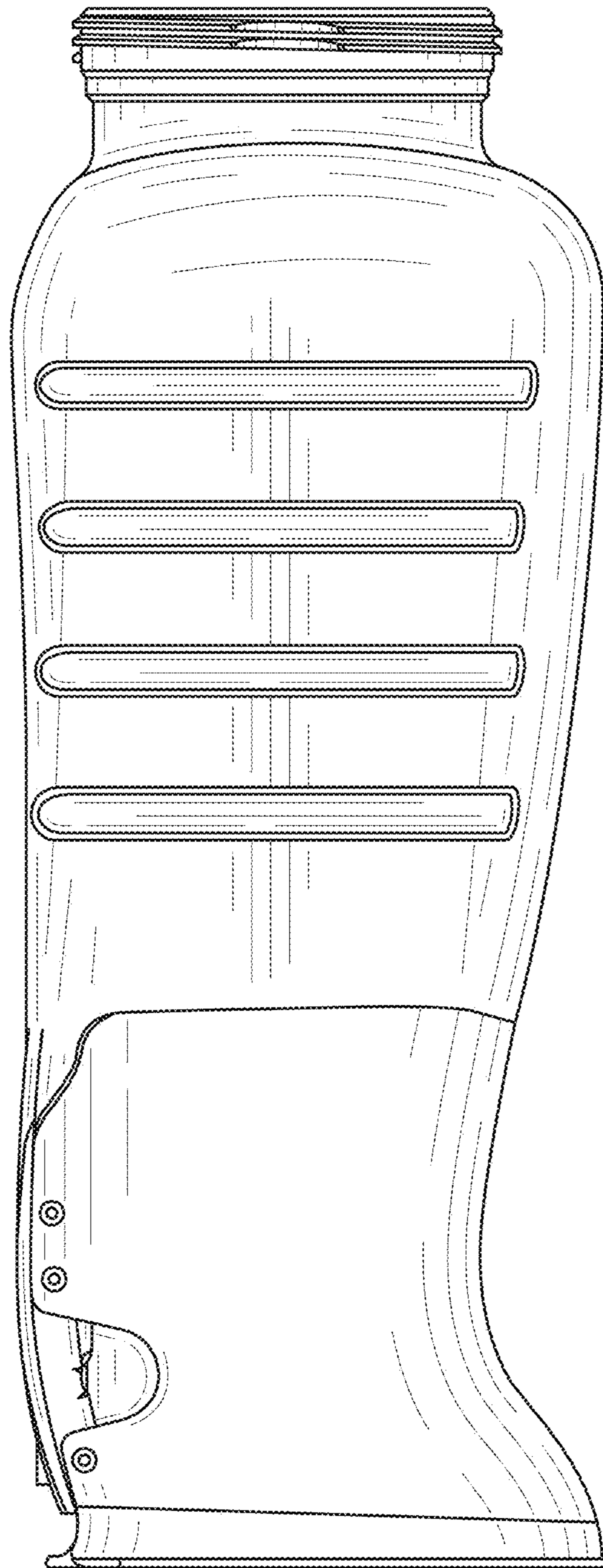


FIG. 11

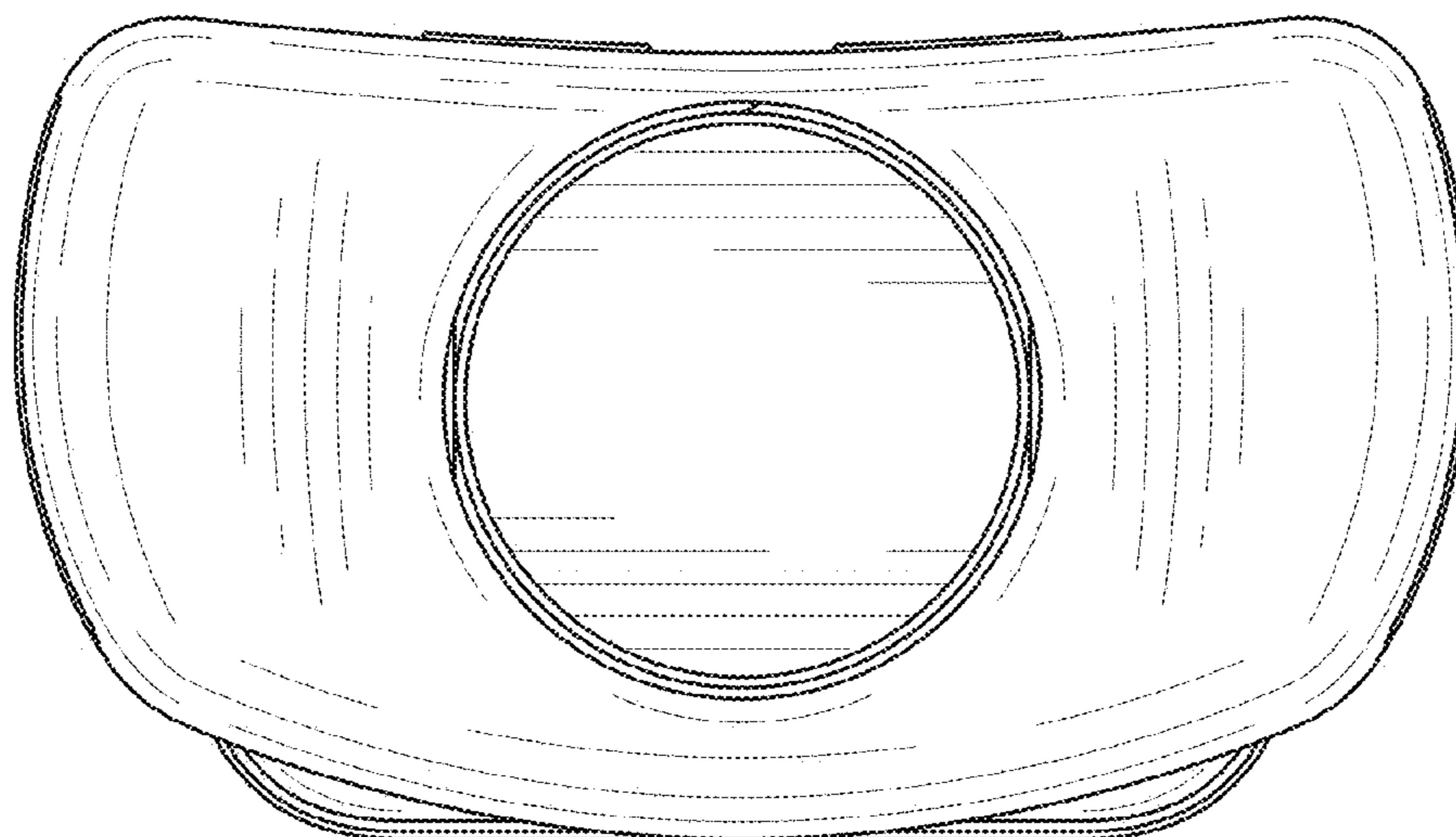


FIG. 12

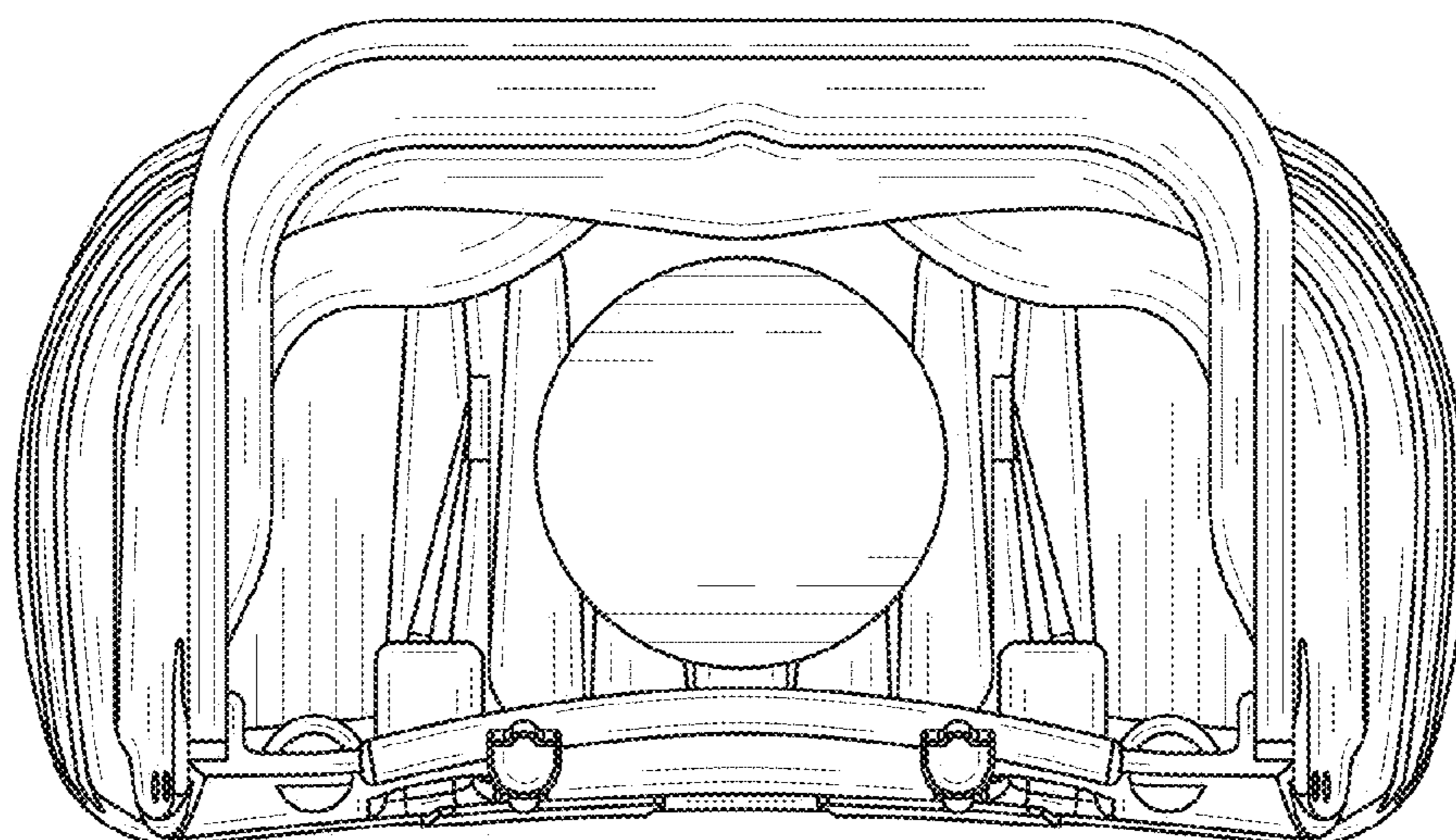


FIG. 13

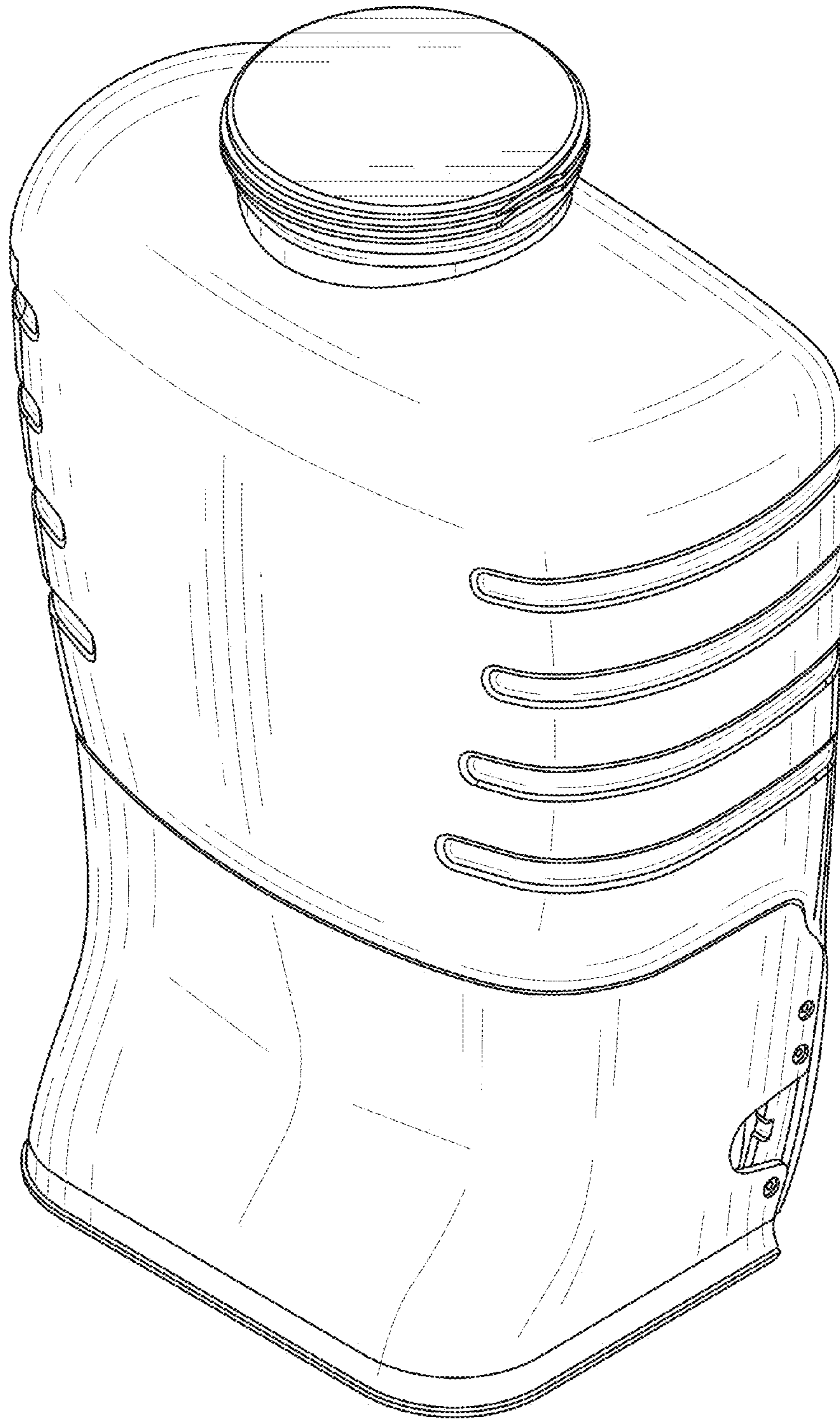


FIG. 14