



US00D755925S

(12) **United States Design Patent**
Park

(10) **Patent No.:** **US D755,925 S**

(45) **Date of Patent:** **** May 10, 2016**

- (54) **NOZZLE FOR ELECTRIC PUMP**
- (71) Applicant: **Dukshin Corp., Ltd.**, Incheon (KR)
- (72) Inventor: **Kyung Suh Park**, Gyeonggi-do (KR)
- (73) Assignee: **Dukshin Corp., Ltd.**, Incheon (KR)
- (**) Term: **14 Years**
- (21) Appl. No.: **29/523,461**
- (22) Filed: **Apr. 9, 2015**
- (51) **LOC (10) Cl.** **23-01**
- (52) **U.S. Cl.**
USPC **D23/213; D15/7**
- (58) **Field of Classification Search**
USPC D23/213, 223, 226, 231, 232; D15/7;
417/60, 234; 239/526
CPC B05B 9/01
See application file for complete search history.

- 6,289,920 B1 * 9/2001 Wang B60S 5/04
137/223
- D541,377 S * 4/2007 Chen D23/223
- D702,810 S * 4/2014 Stednitz D23/213

* cited by examiner

Primary Examiner — Robin V Webster

(57) **CLAIM**
The ornamental design for a nozzle for electric pump, as shown and described.

DESCRIPTION

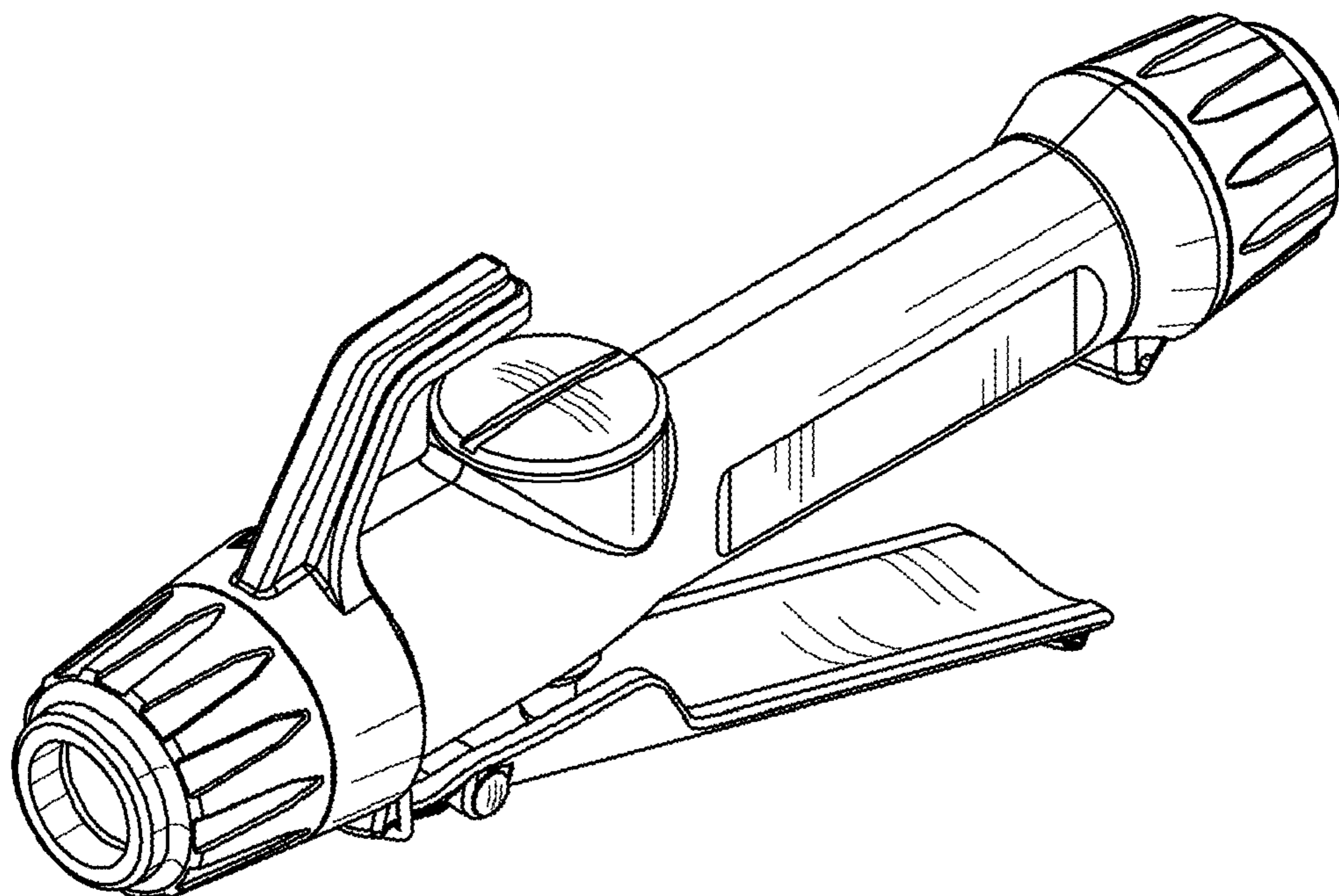
FIG. 1 is a perspective view of a nozzle for electric pump according to the present invention;
 FIG. 2 is a front view of the nozzle for electric pump of FIG. 1;
 FIG. 3 is a rear view of the nozzle for electric pump of FIG. 1;
 FIG. 4 is a left side view of the nozzle for electric pump of FIG. 1;
 FIG. 5 is a right side view of the nozzle for electric pump of FIG. 1;
 FIG. 6 is a top plan view of the nozzle for electric pump of FIG. 1;
 FIG. 7 is a bottom plan view of the nozzle for electric pump of FIG. 1;
 FIG. 8 is a reference figure showing another perspective view of the product; and,
 FIG. 9 is a reference figure showing the product in use.
 The broken line showing of a nozzle pipe and hose is included for the purpose of illustrating and forms no part of the claimed design.

(56) **References Cited**

U.S. PATENT DOCUMENTS

- 2,678,848 A * 5/1954 Grewe B05B 1/005
239/572
- D172,454 S * 6/1954 Wagner D23/226
- 3,343,804 A * 9/1967 Pinke B05B 1/3046
239/152
- D228,961 S * 10/1973 D'Haem D15/7
- 4,225,087 A * 9/1980 Lawlor B05B 12/002
239/526
- 4,919,334 A * 4/1990 Hartmann B05B 1/005
239/600

1 Claim, 6 Drawing Sheets



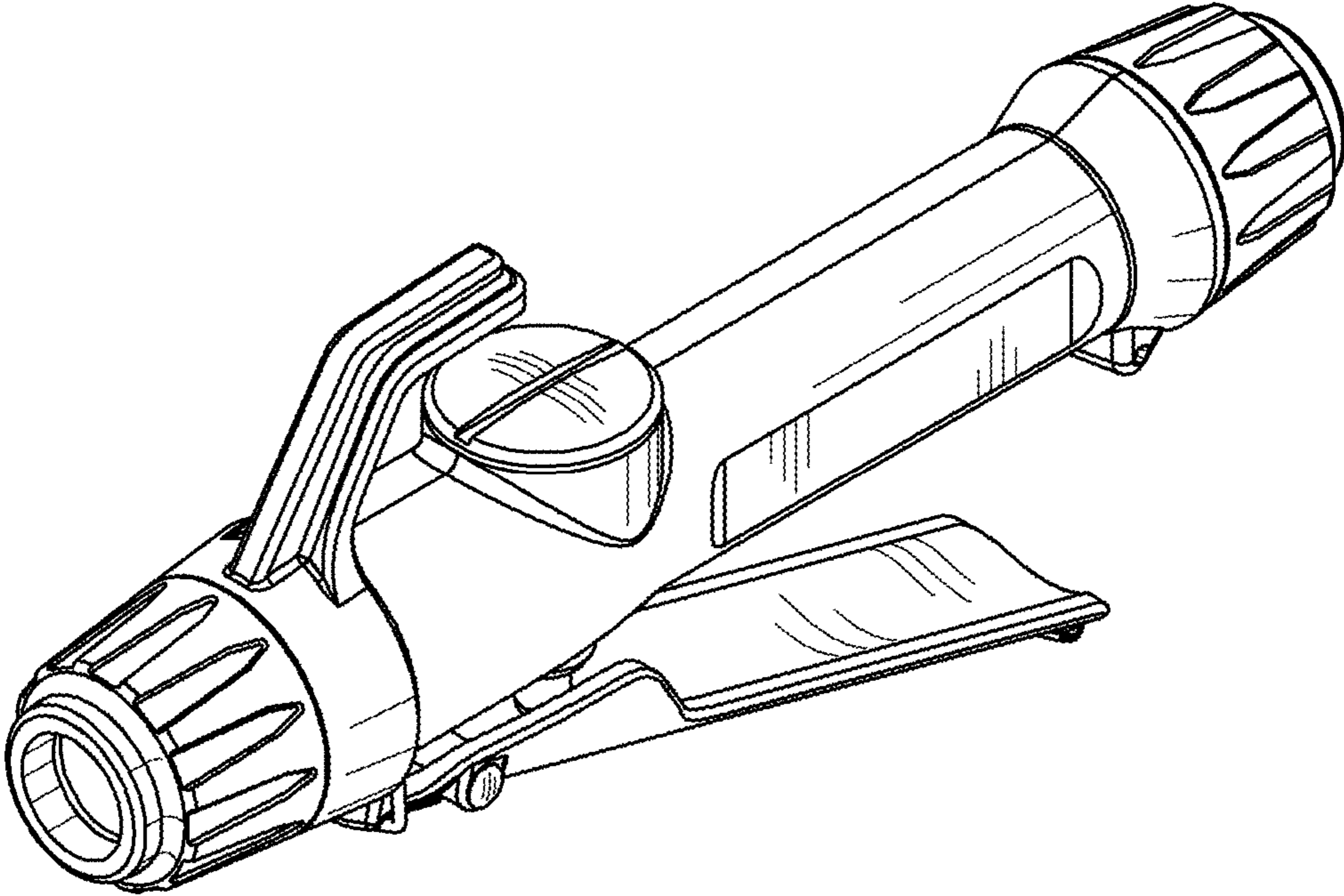


Fig. 1

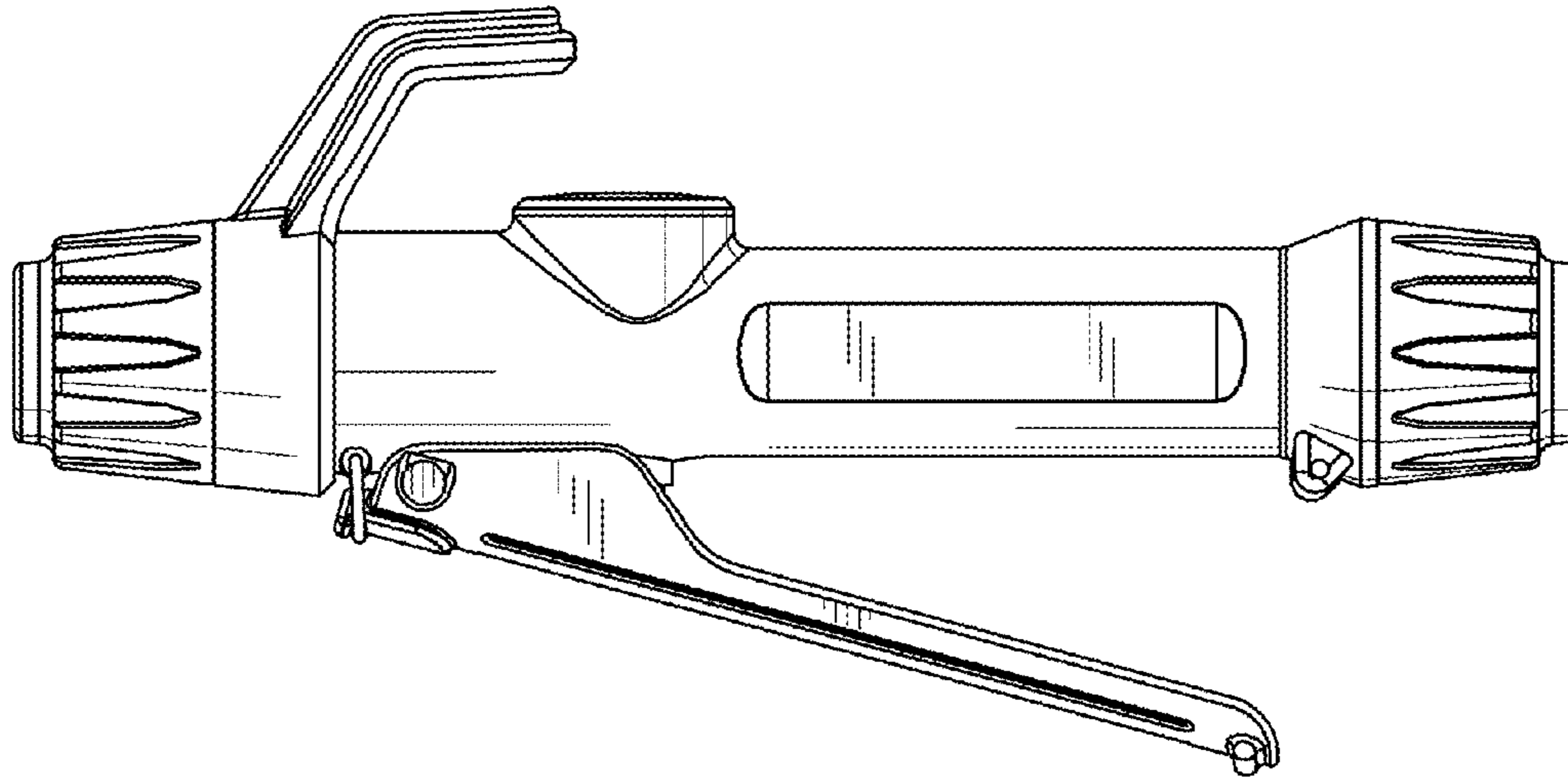


Fig. 2

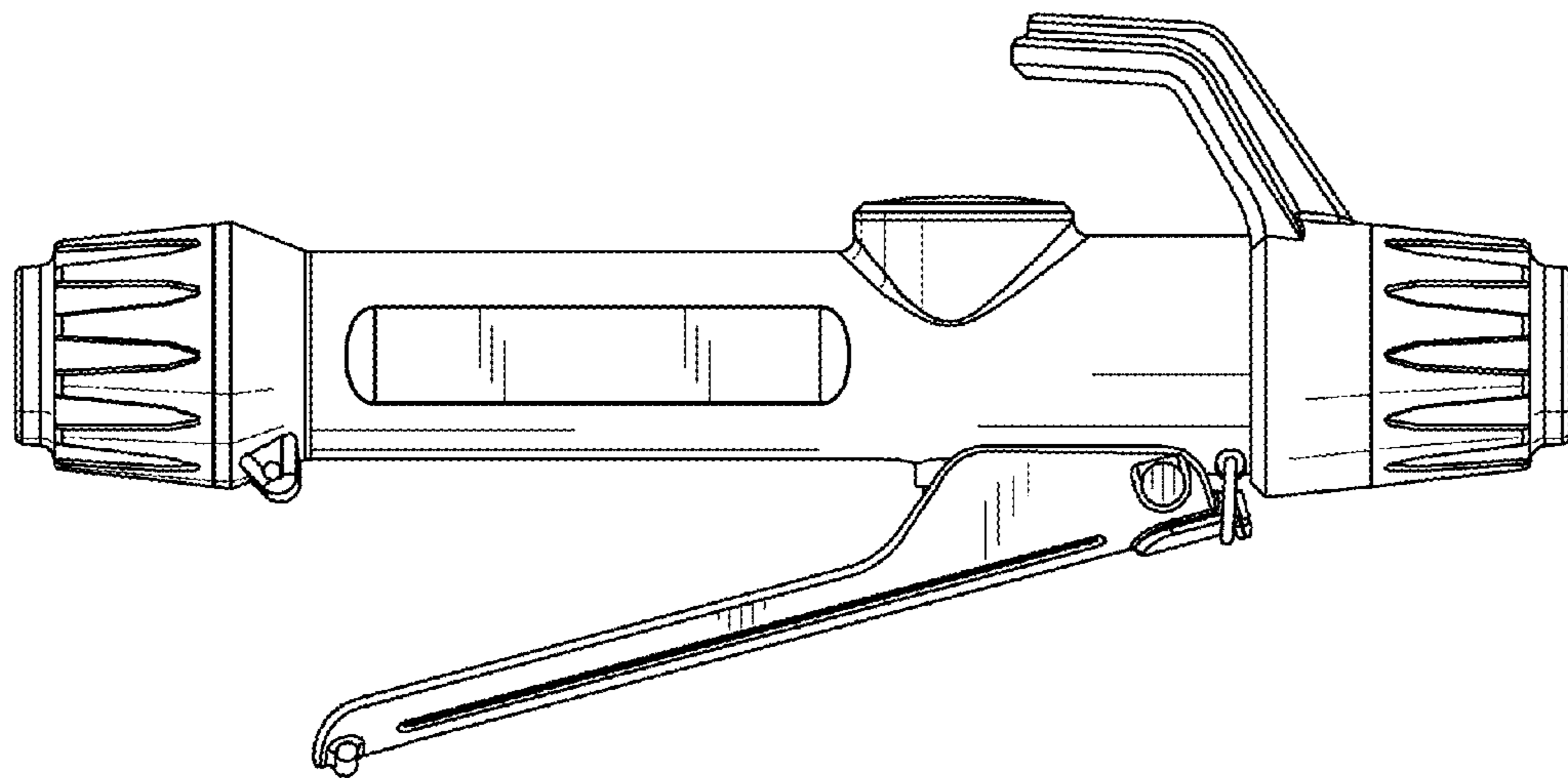


Fig. 3

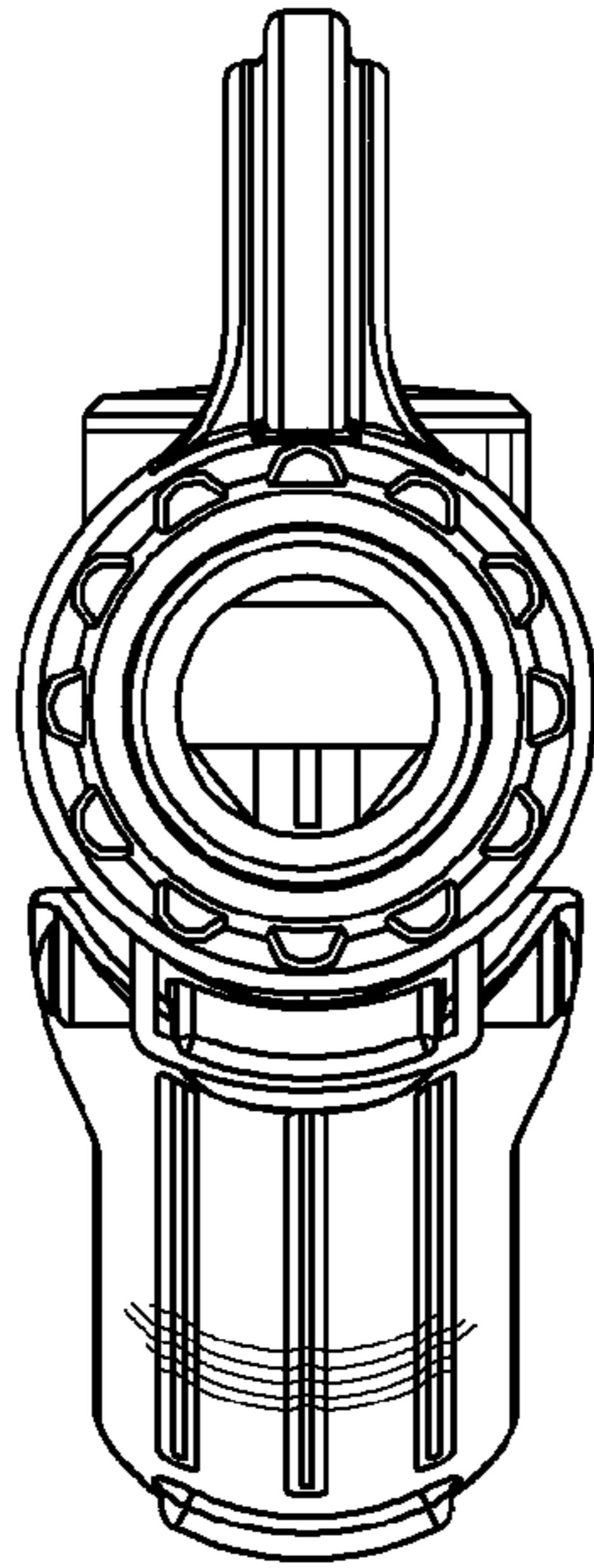


Fig. 4

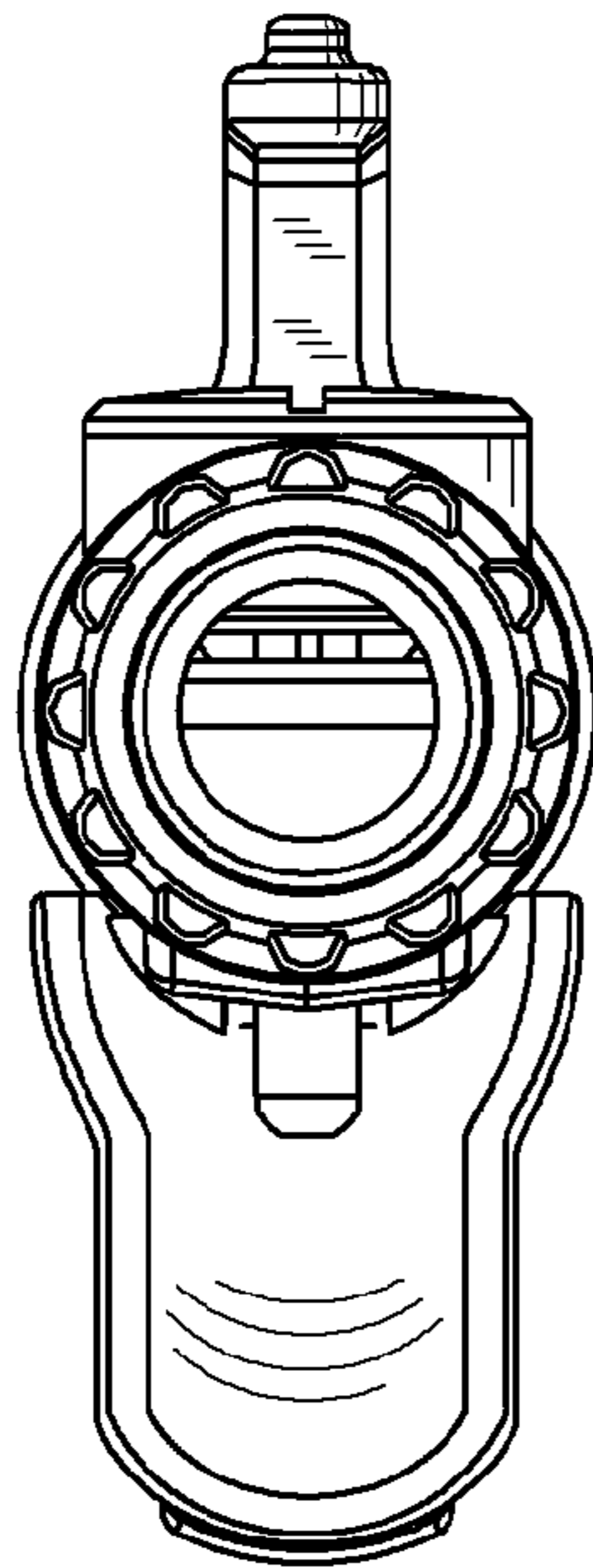


Fig. 5

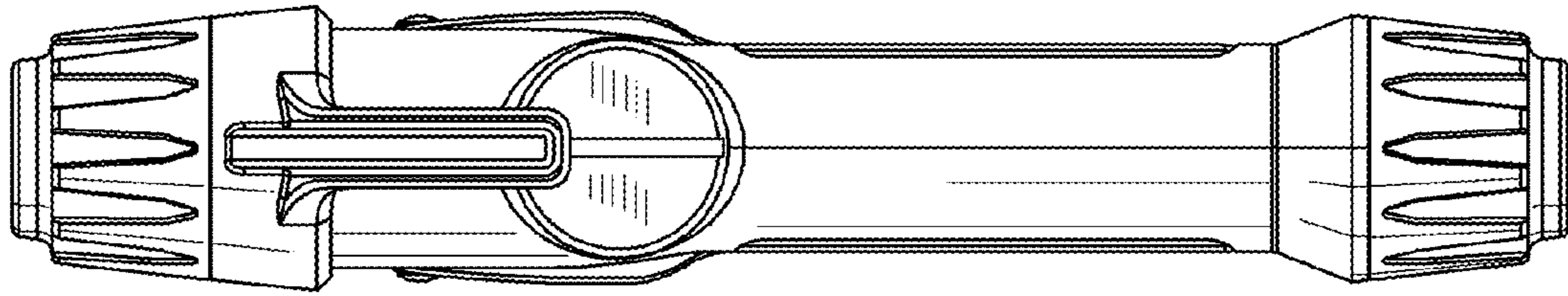


Fig. 6

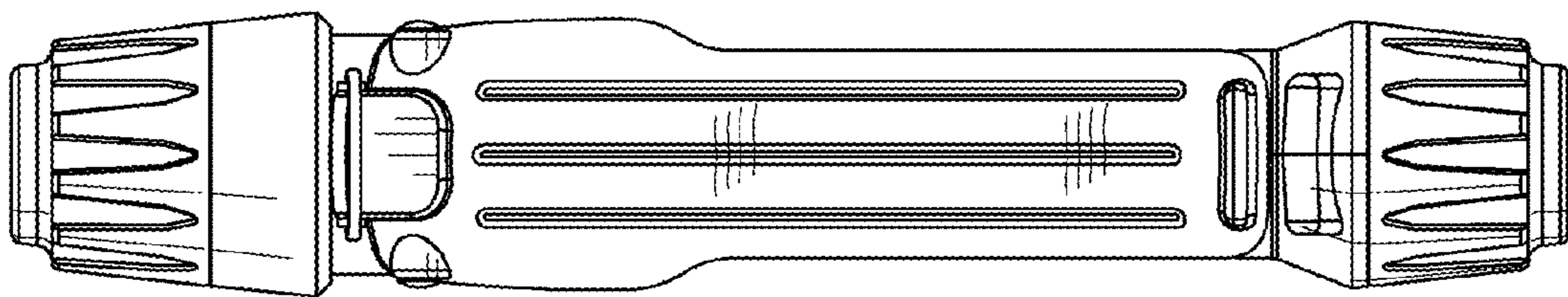


Fig. 7

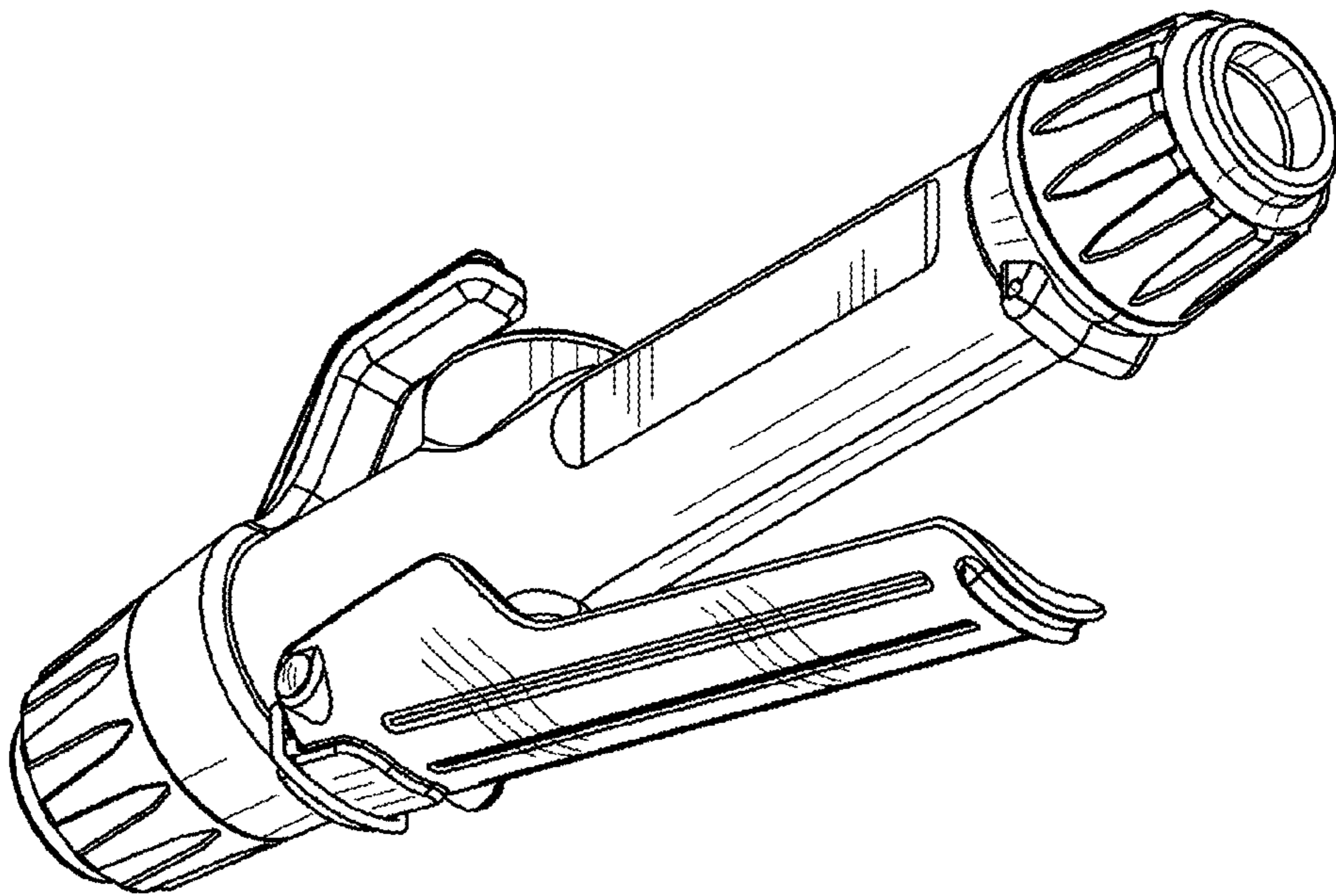


Fig. 8

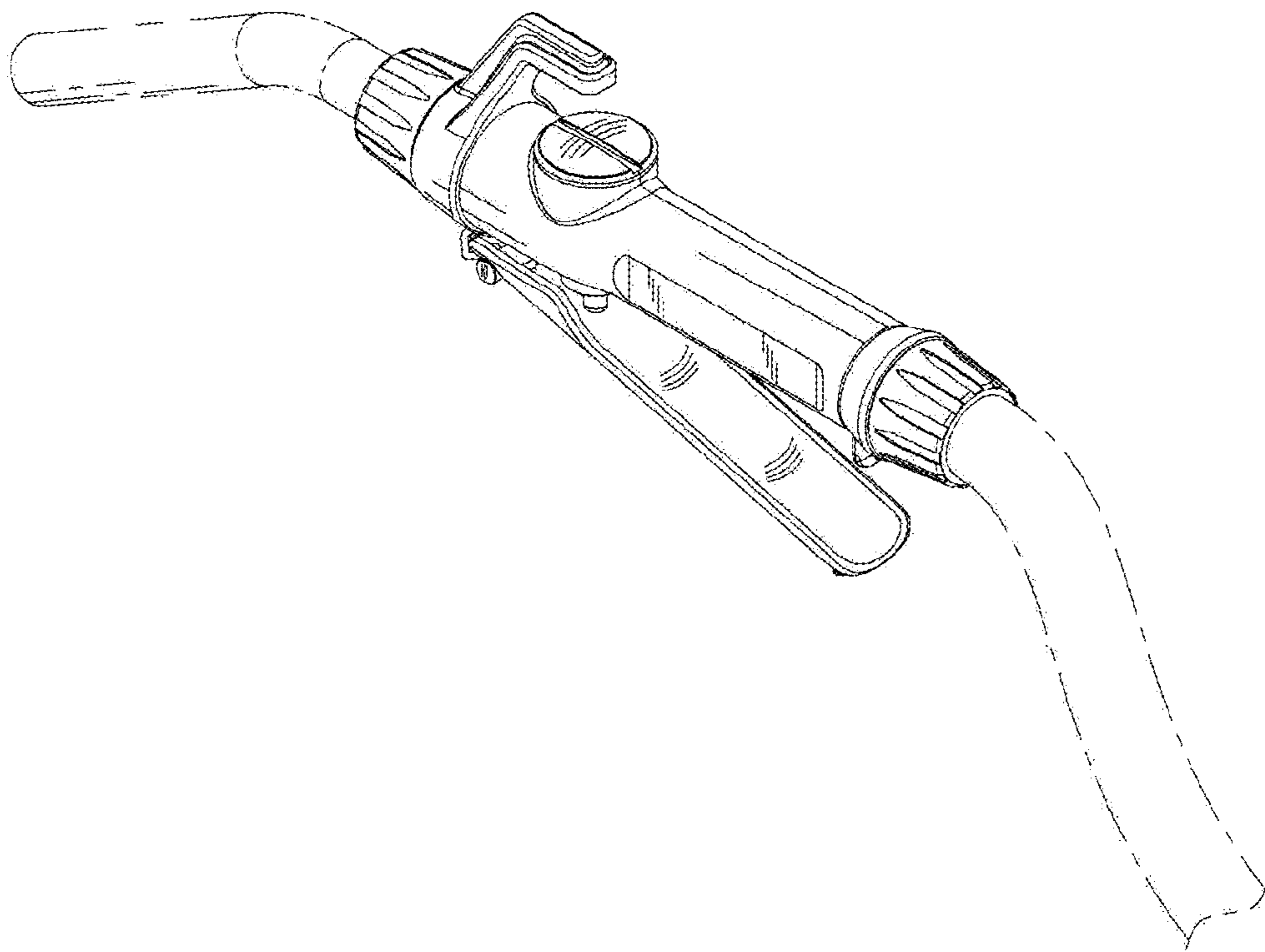


Fig. 9