



US00D755924S

(12) **United States Design Patent**  
**Kosaka et al.**

(10) **Patent No.:** **US D755,924 S**  
(45) **Date of Patent:** **\*\* May 10, 2016**

- (54) **NOZZLE**
- (71) Applicant: **Anest Iwata Corporation**, Yokohama, Kanagawa-ken (JP)
- (72) Inventors: **Shozo Kosaka**, Oamishirasato (JP); **Nobuhiro Sawata**, Daisen (JP)
- (73) Assignee: **Anest Iwata Corporation**, Yokohama (JP)
- (\*\*) Term: **14 Years**
- (21) Appl. No.: **29/519,343**
- (22) Filed: **Mar. 4, 2015**
- (30) **Foreign Application Priority Data**

Sep. 30, 2014	(JP)	2014-021682
Sep. 30, 2014	(JP)	2014-021683
Sep. 30, 2014	(JP)	2014-021684
Sep. 30, 2014	(JP)	2014-021685

- (51) **LOC (10) Cl.** ..... **23-01**
- (52) **U.S. Cl.**  
USPC ..... **D23/213**
- (58) **Field of Classification Search**  
USPC ..... D23/213, 226; 222/566; 239/600, 601, 239/597, 690, 691  
CPC ..... B05B 1/00; B05B 15/065  
See application file for complete search history.

(56) **References Cited**  
U.S. PATENT DOCUMENTS

591,067	A *	10/1897	Wallace	.....	B05B 1/00 137/142
2,755,137	A *	7/1956	Hughf	.....	B05B 1/00 239/288.5
4,346,849	A *	8/1982	Rood	.....	B05B 1/00 239/597
5,727,739	A *	3/1998	Hamilton	.....	F16L 37/244 239/600
6,079,638	A *	6/2000	Chang	.....	A62C 31/02 239/390

6,557,787	B2 *	5/2003	Swan	.....	B05B 1/267 239/597
6,712,293	B2 *	3/2004	Swan	.....	B05B 1/046 239/419.5
7,032,832	B2 *	4/2006	Kassanits	.....	B05B 15/065 239/597
7,163,163	B2 *	1/2007	Waddelow	.....	B05B 1/042 239/590
D569,477	S *	5/2008	Fulkerson	.....	D23/213
7,708,211	B2 *	5/2010	Maier	.....	B05C 17/00516 222/502
7,806,350	B2 *	10/2010	Langiewicz	.....	B05B 1/04 239/505
D712,009	S *	8/2014	Gopalan	.....	D23/213
RE45,395	E *	3/2015	Fulkerson	.....	D23/213
D723,658	S *	3/2015	Meister	.....	D23/213

\* cited by examiner

*Primary Examiner* — Robin V Webster

(74) *Attorney, Agent, or Firm* — Flaster/Greenblum P.C.

(57) **CLAIM**

The ornamental design of a nozzle, as shown and described.

**DESCRIPTION**

FIG. 1 is a top front perspective view of an example of a nozzle of the new design.

FIG. 2 is an enlarged top front perspective view of the nozzle example of FIG. 1.

FIG. 3 is a first side view of the nozzle example of FIG. 1, wherein the top side view, the opposite side view, and the bottom side view are the essentially the same and each visible upon sequential rotations of the nozzle by 90 degrees.

FIG. 4 is a first cross section view of the nozzle example of FIG. 1.

FIG. 5 is an alternate side view of the nozzle example of FIG. 1, upon rotation of the nozzle by 45 degrees from the position of the first side elevation.

FIG. 6 is a second cross section view of the nozzle example of FIG. 1.

FIG. 7 is a front elevation view of the nozzle example of FIG. 1.

FIG. 8 is a top front perspective view of a further example of a nozzle of the new design.

FIG. 9 is an enlarged top front perspective view of the nozzle example of FIG. 8.

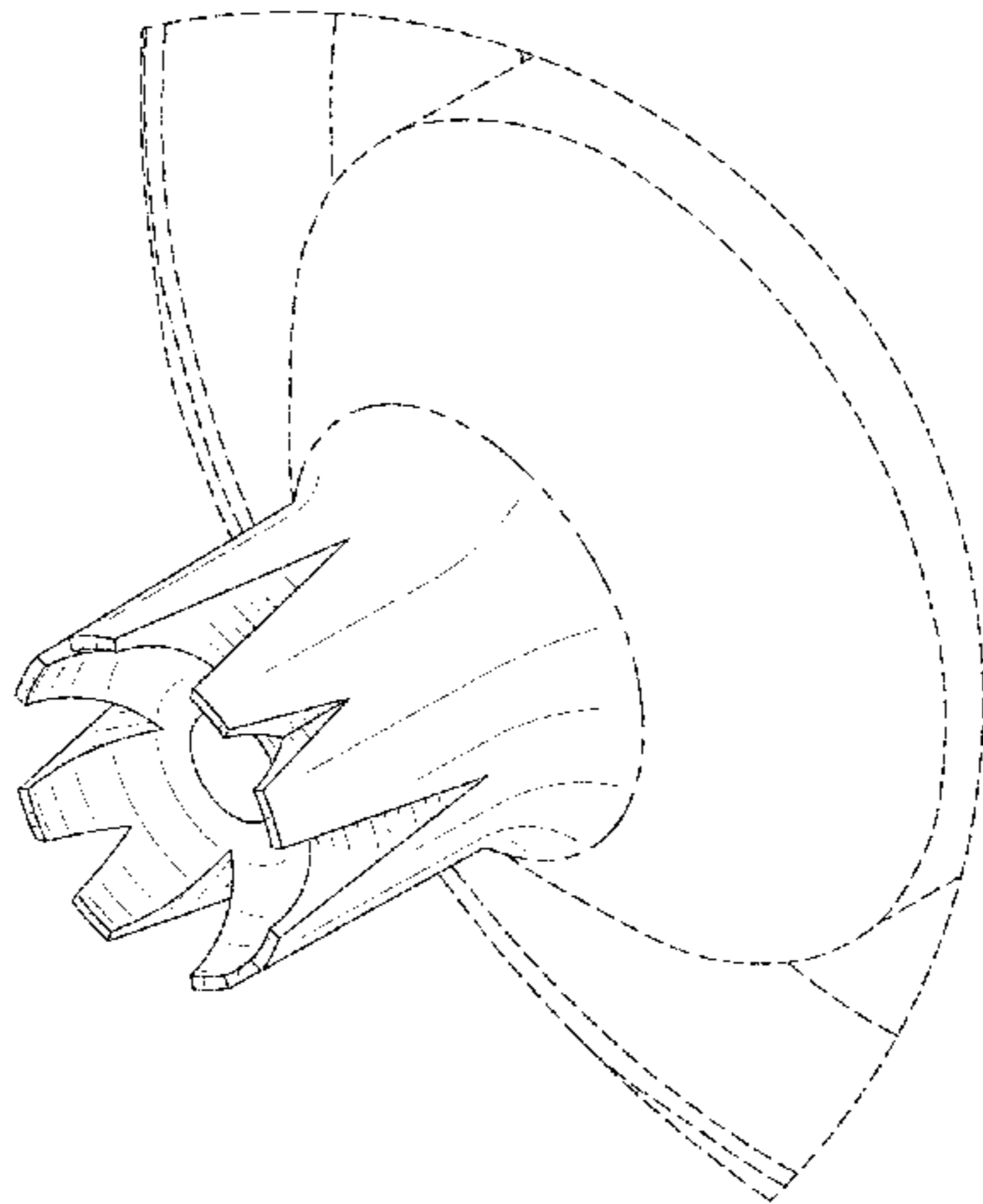
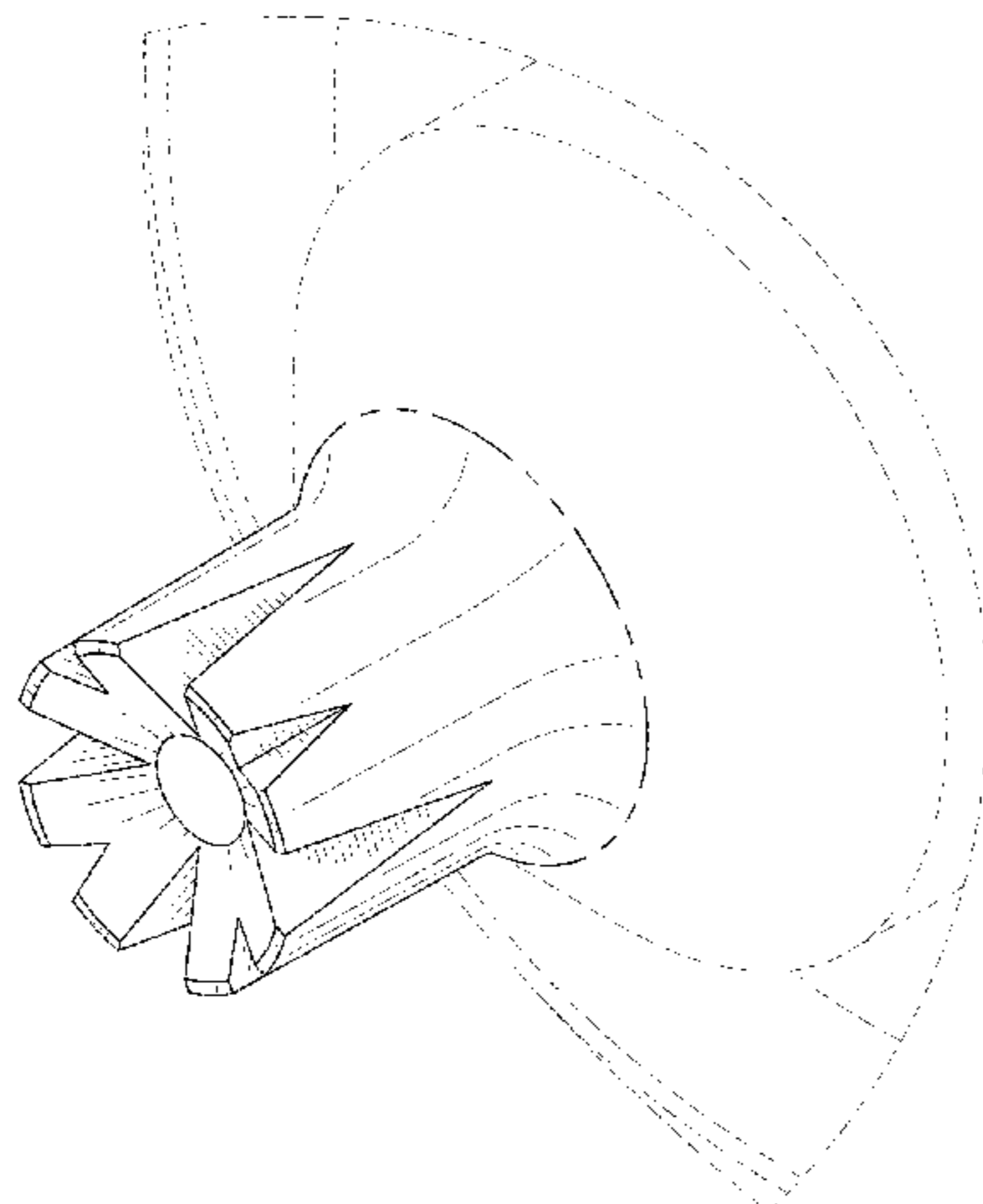


FIG. 10 is a first side view of the nozzle example of FIG. 8, wherein the top side view, the opposite side view, and the bottom side view are the essentially the same, with each being visible upon sequential rotations of the nozzle by 90 degrees.

FIG. 11 is a first cross section view of the nozzle example of FIG. 8.

FIG. 12 is an alternate side view of the nozzle example of FIG. 8, upon rotation of the nozzle by 45 degrees from the position of the first side elevation.

FIG. 13 is a second cross section view of the nozzle example of FIG. 8.

FIG. 14 is a front elevation view of the nozzle example of FIG. 8.

FIG. 15 is a top front perspective view of a further example of a nozzle of the new design.

FIG. 16 is an enlarged top front perspective view of the nozzle example of FIG. 15.

FIG. 17 is a first side view of the nozzle example of FIG. 15, wherein the top side view, the opposite side view, and the bottom side view are the essentially the same, with each being visible upon sequential rotations of the nozzle by 90 degrees.

FIG. 18 is a first cross section view of the nozzle example of FIG. 15.

FIG. 19 is an alternate side view of the nozzle example of FIG. 15, upon rotation of the nozzle by 45 degrees from the position of the first side elevation.

FIG. 20 is a second cross section view of the nozzle example of FIG. 15.

FIG. 21 is a front elevation view of the nozzle example of FIG. 15.

FIG. 22 is a top front perspective view of a further example of a nozzle of the new design.

FIG. 23 is an enlarged top front perspective view of the nozzle example of FIG. 22.

FIG. 24 is a first side view of the nozzle example of FIG. 22, wherein the top side view, the opposite side view, and the bottom side view are the essentially the same, with each being visible upon sequential rotations of the nozzle by 90 degrees.

FIG. 25 is a first cross section view of the nozzle example of FIG. 22.

FIG. 26 is an alternate side view of the nozzle example of FIG. 22, upon rotation of the nozzle by 45 degrees from the position of the first side elevation.

FIG. 27 is a second cross section view of the nozzle example of FIG. 22; and,

FIG. 28 is a front elevation view of the nozzle example of FIG. 22.

In the drawings, broken lines are provided for the purpose of presenting a typical environment of the design. The broken lines form no part of the claimed design.

**1 Claim, 28 Drawing Sheets**

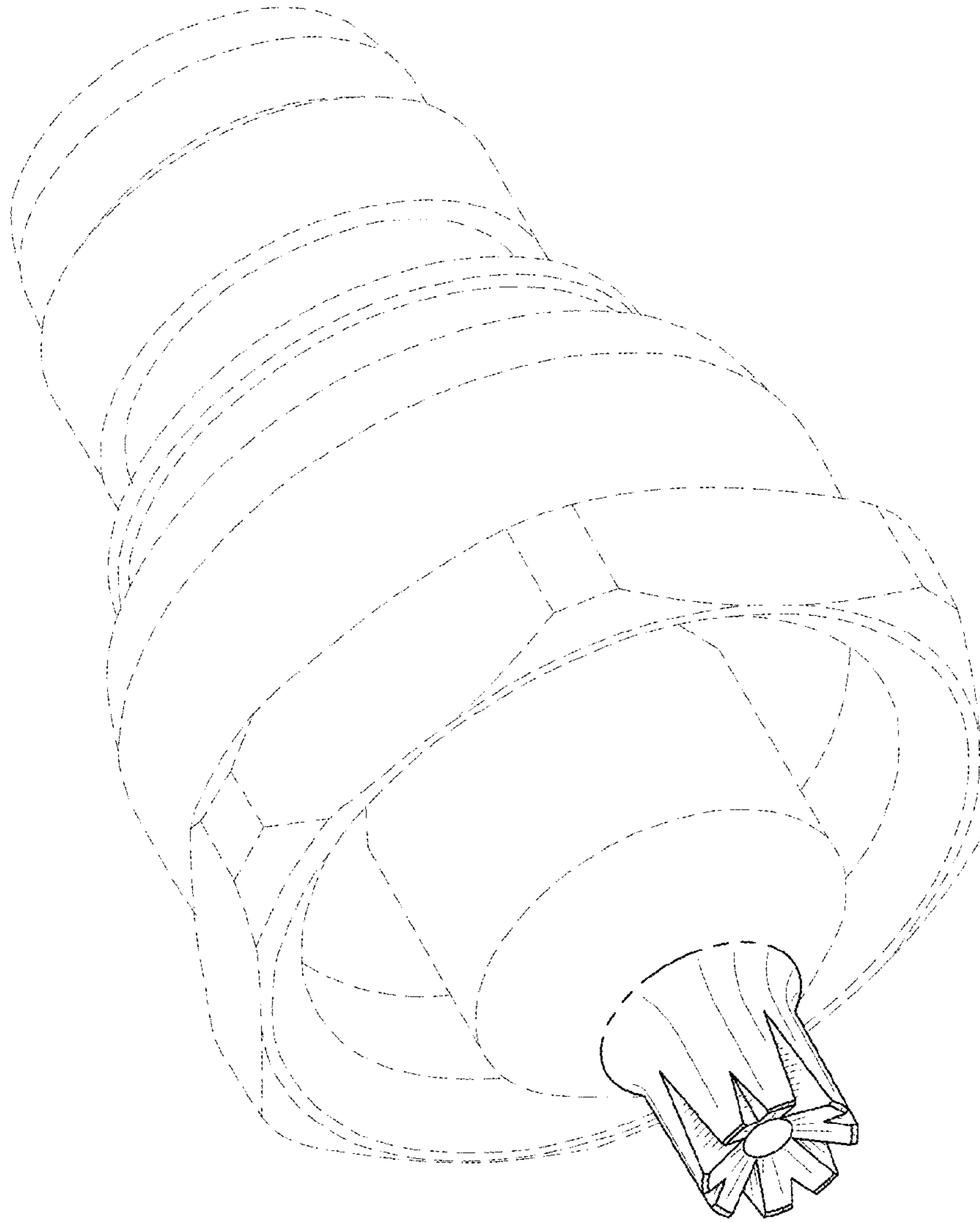
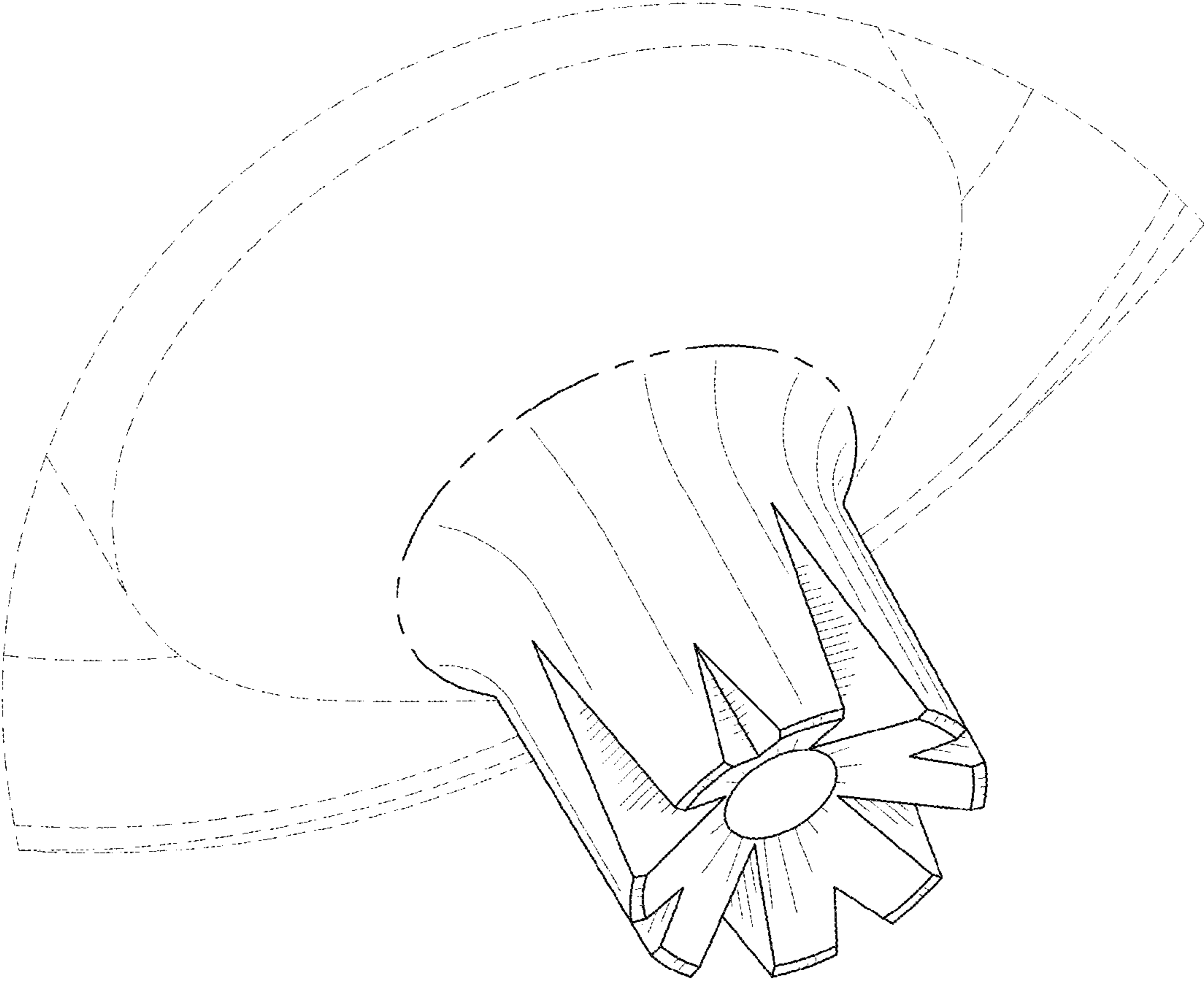


FIG. 1

FIG. 2



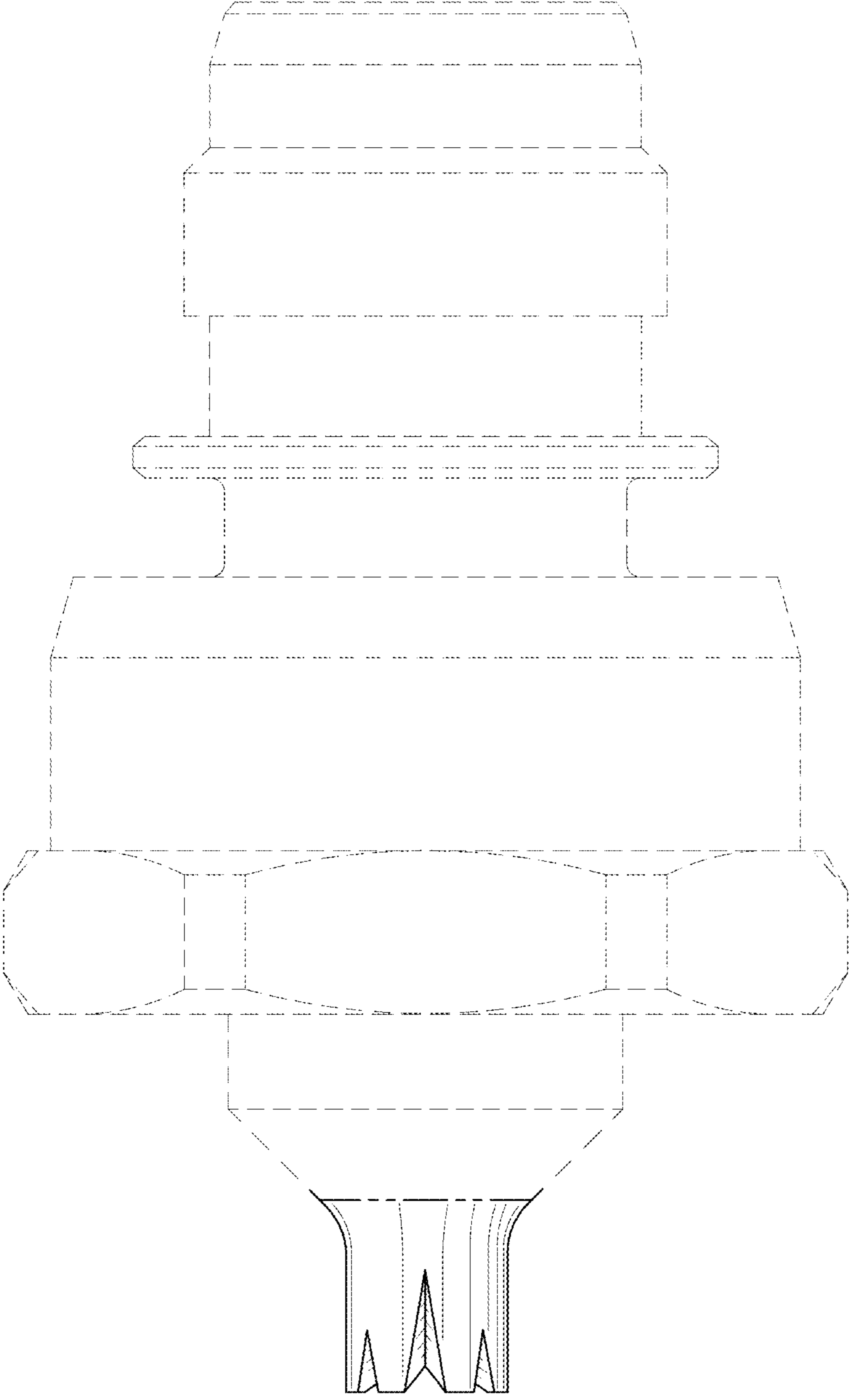


FIG. 3

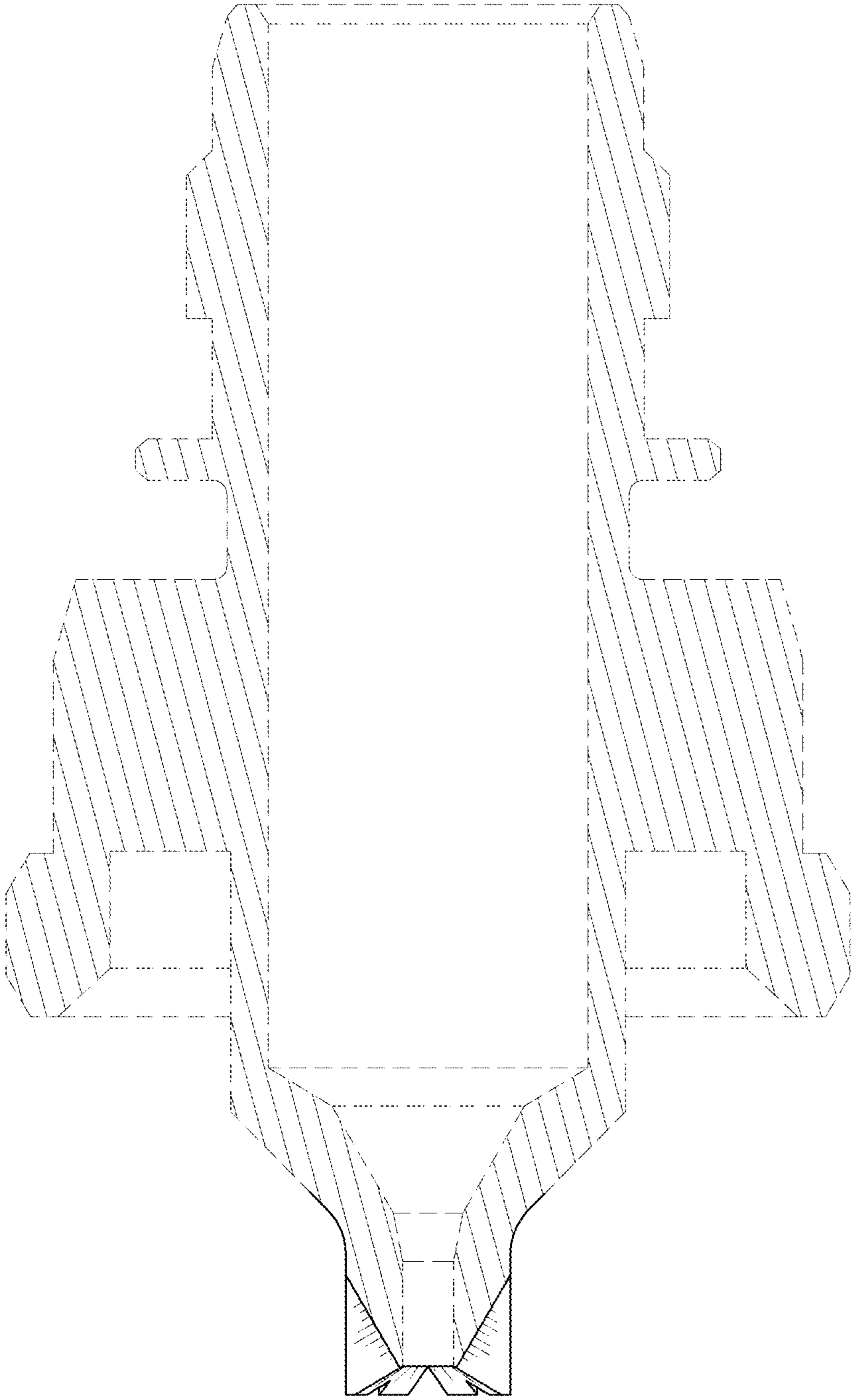


FIG. 4

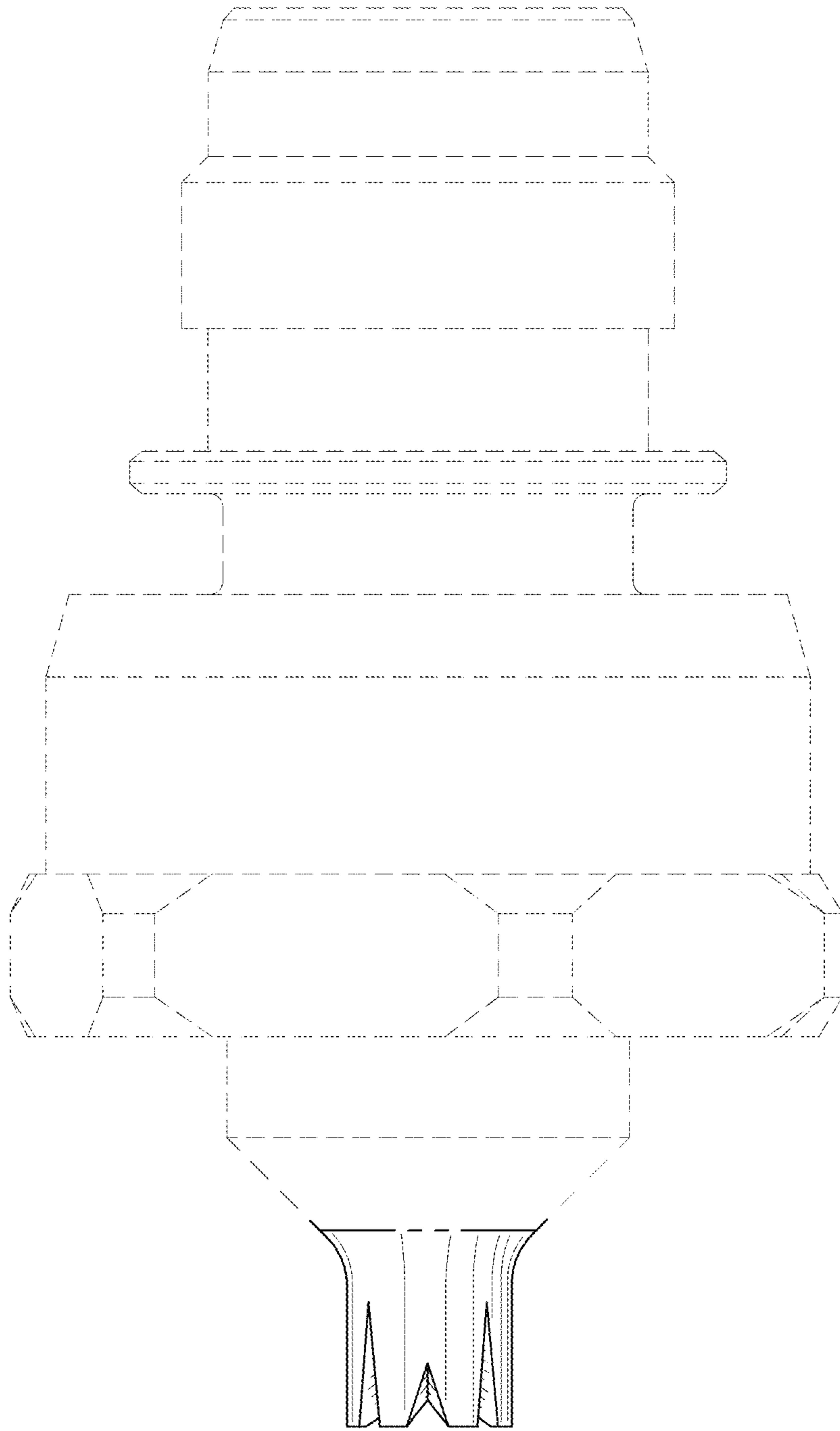


FIG. 5

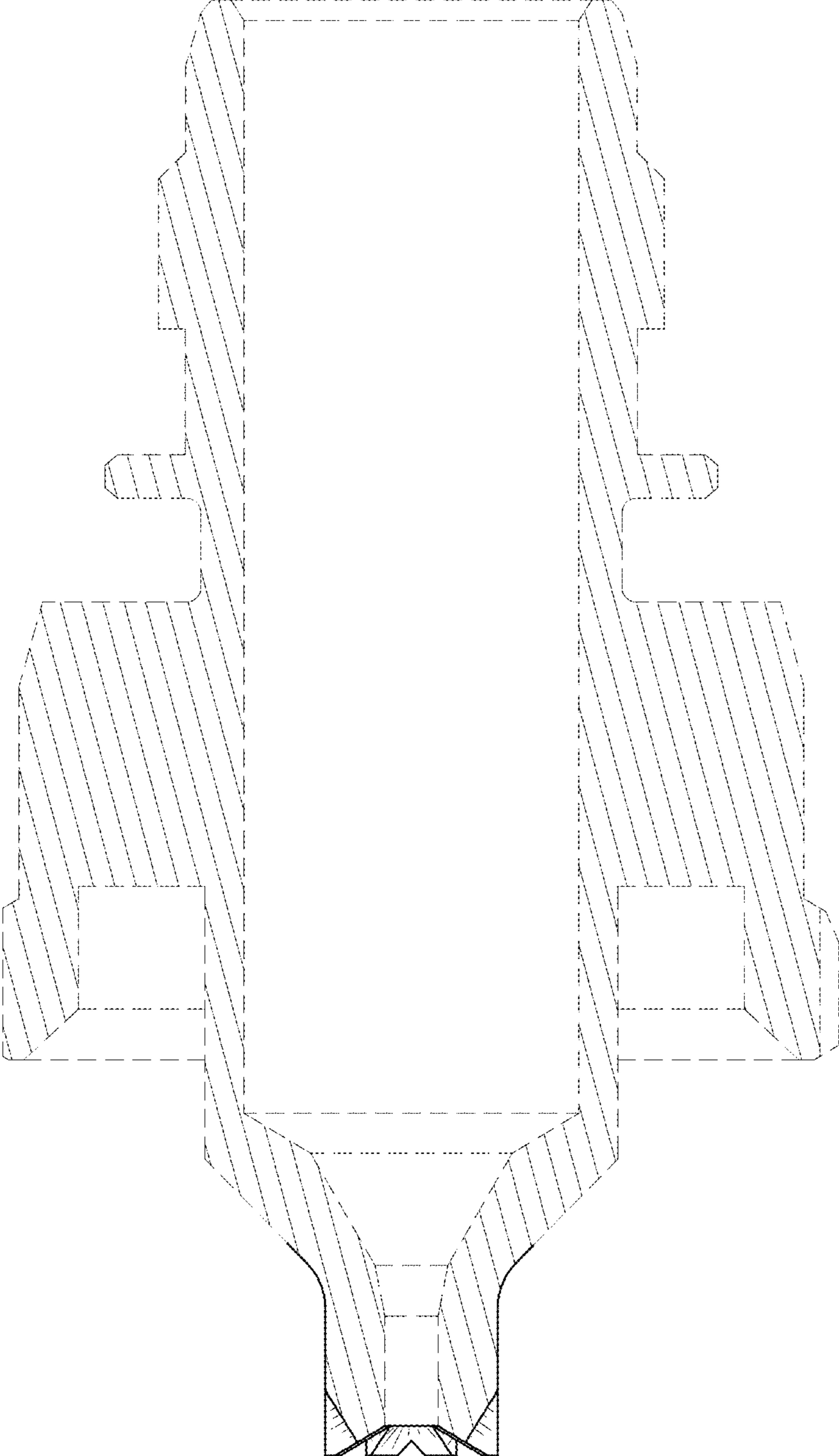


FIG. 6



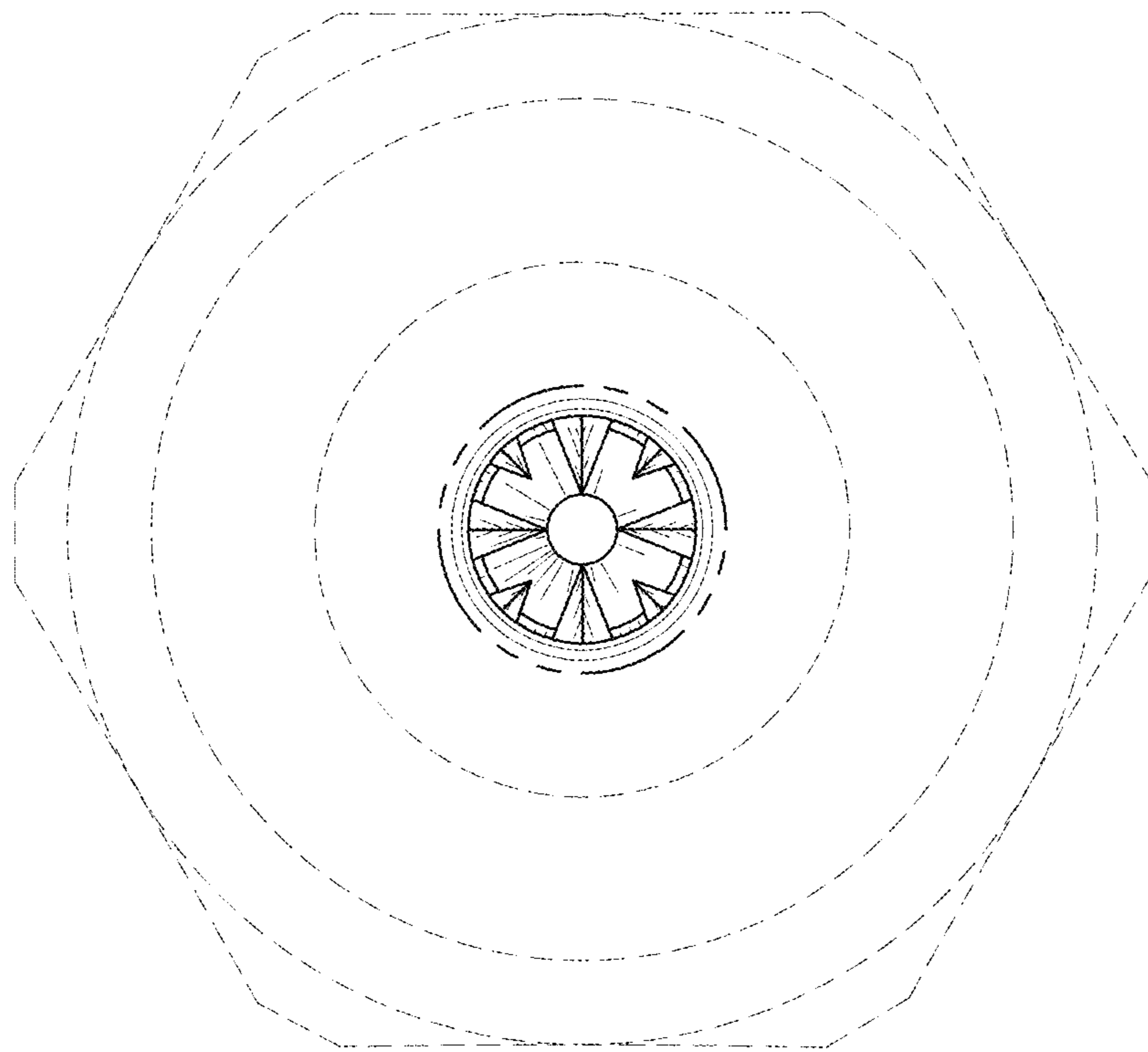


FIG. 7

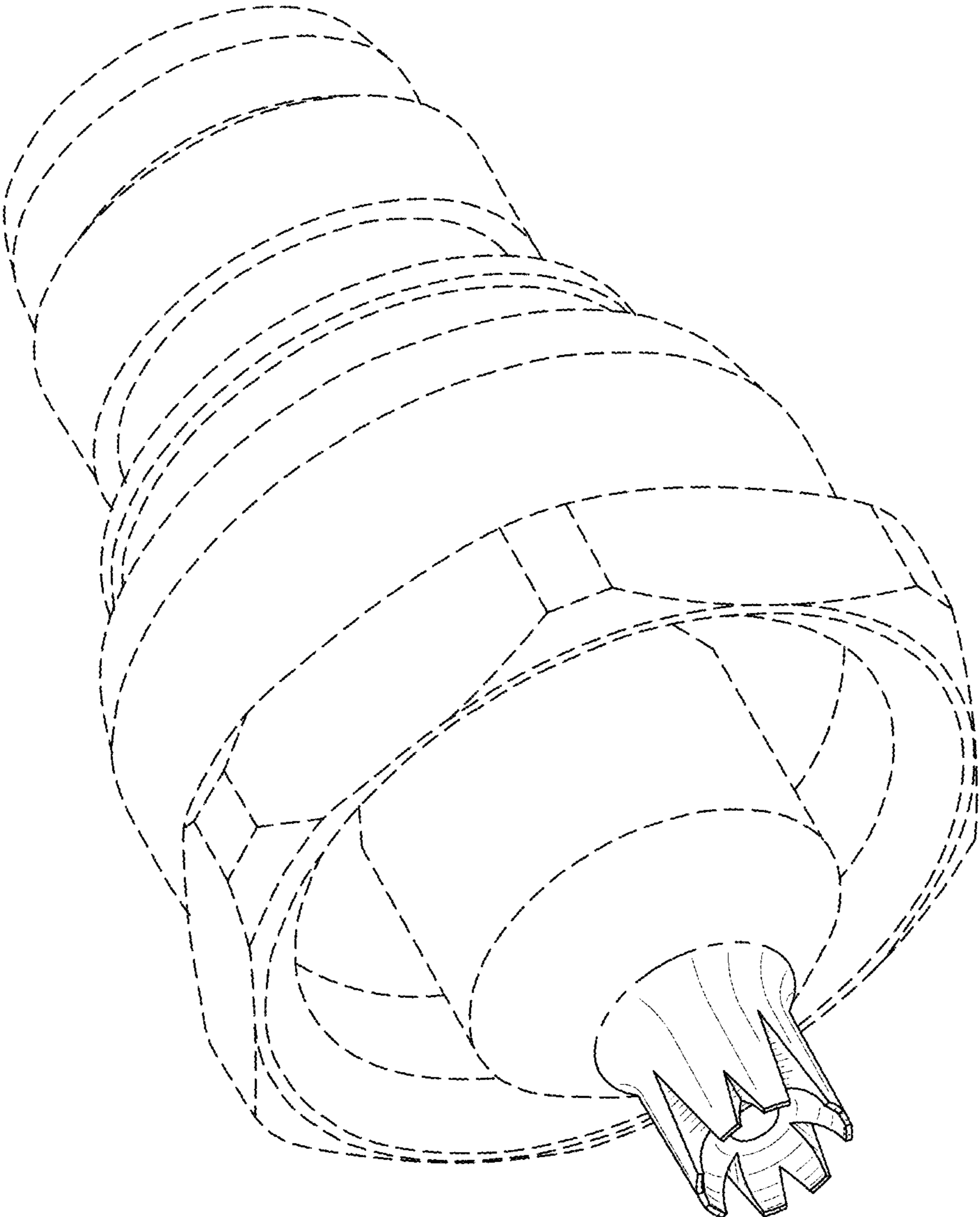


FIG. 8



FIG. 9

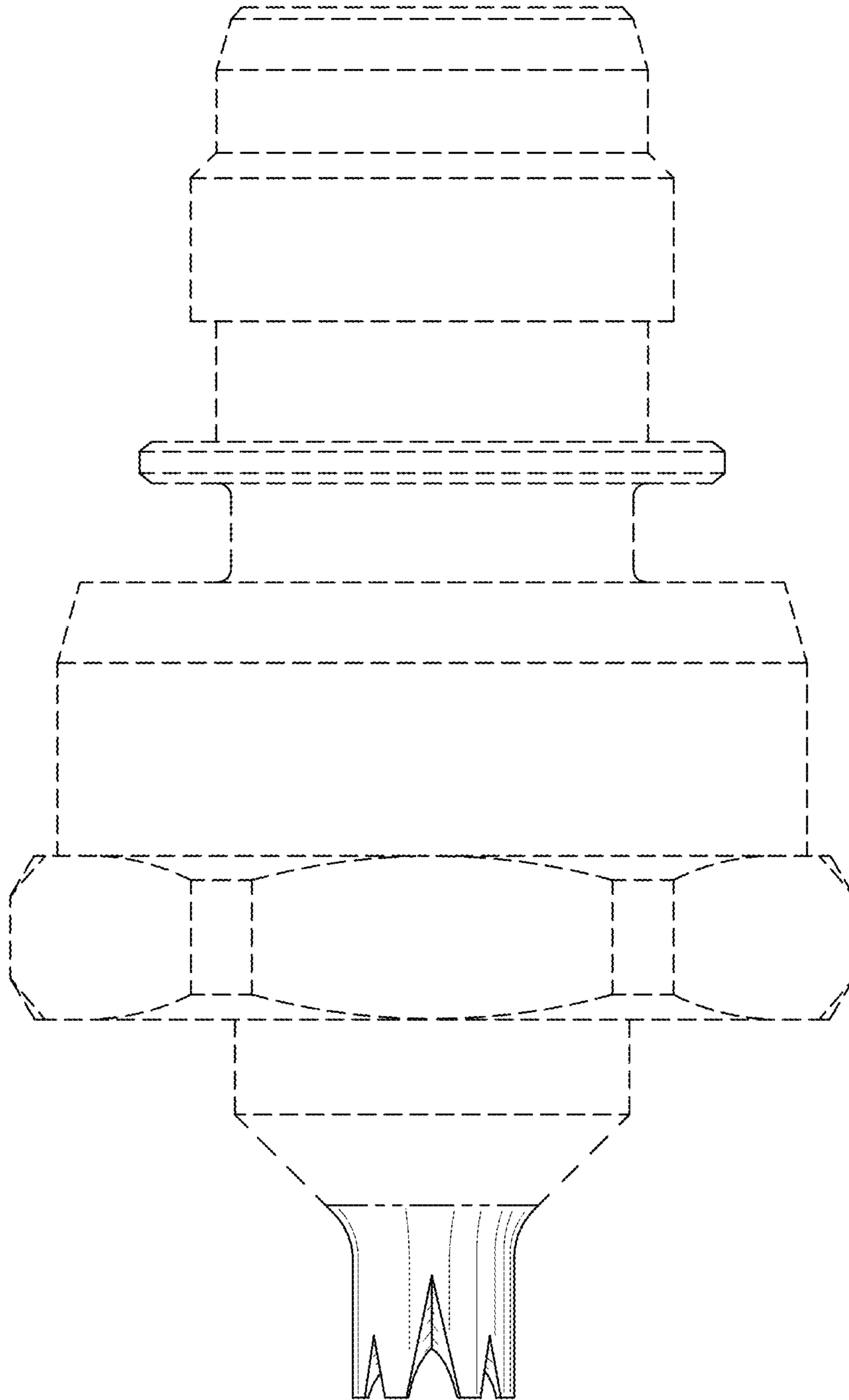


FIG. 10

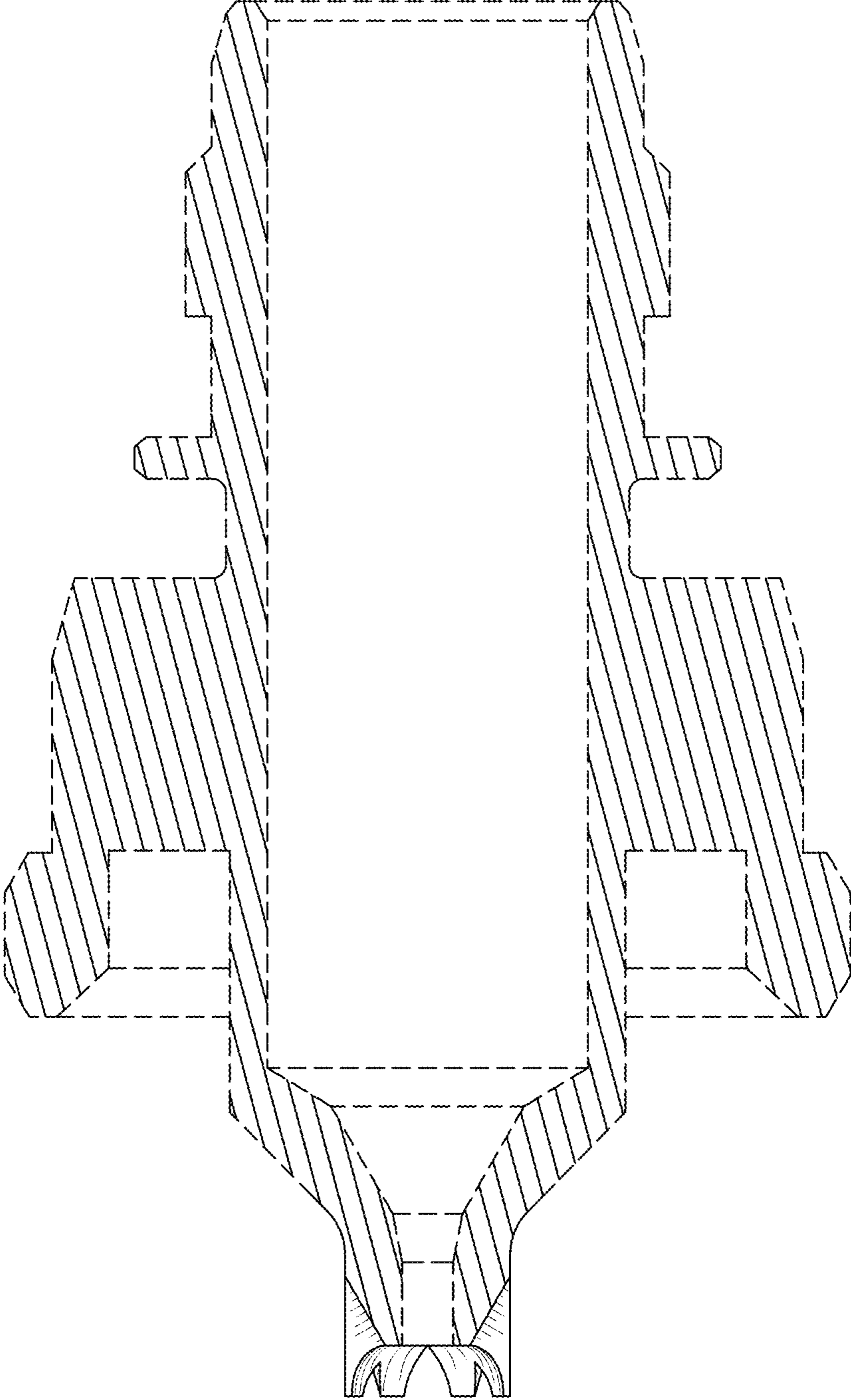


FIG. 11

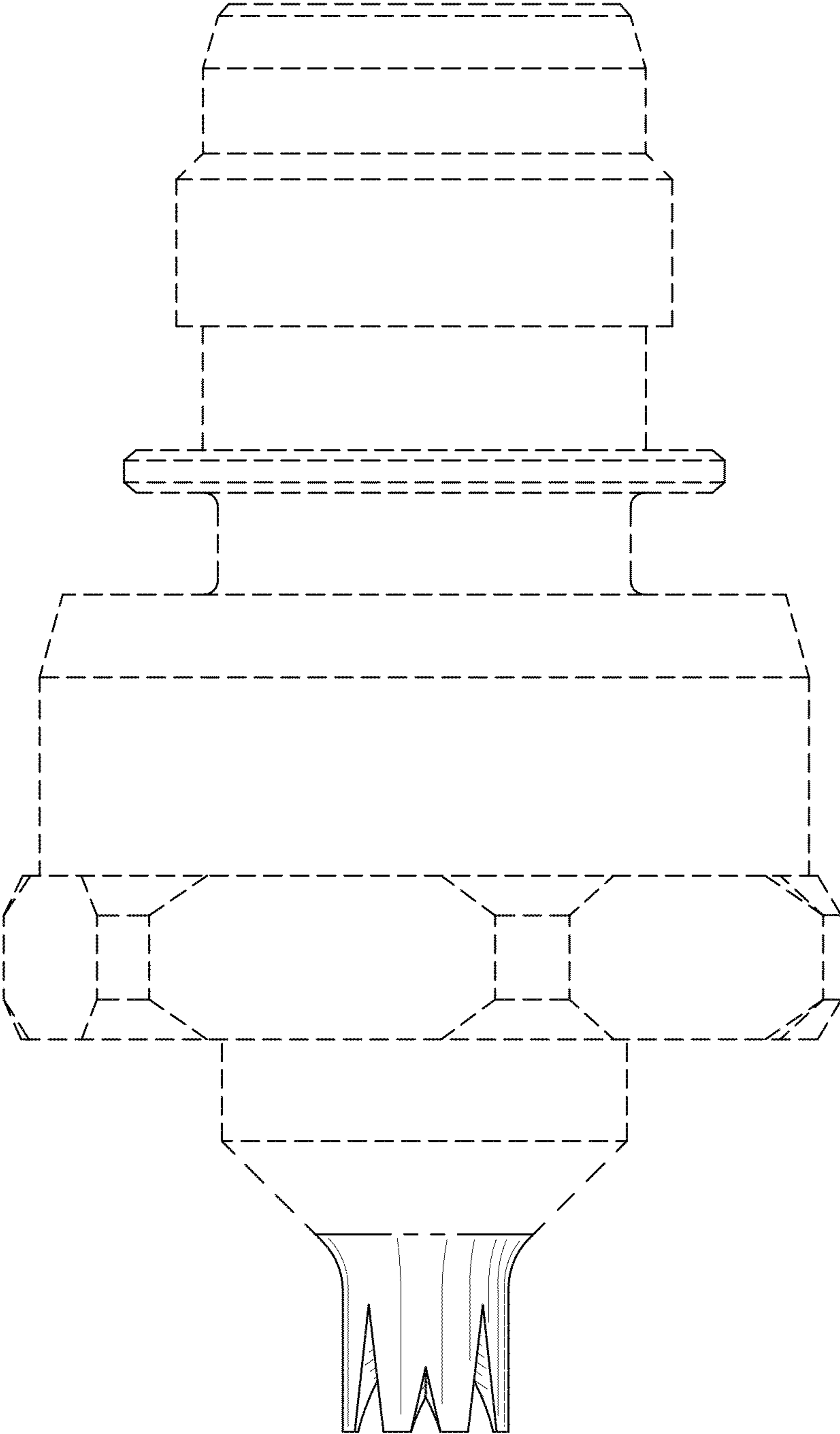


FIG. 12

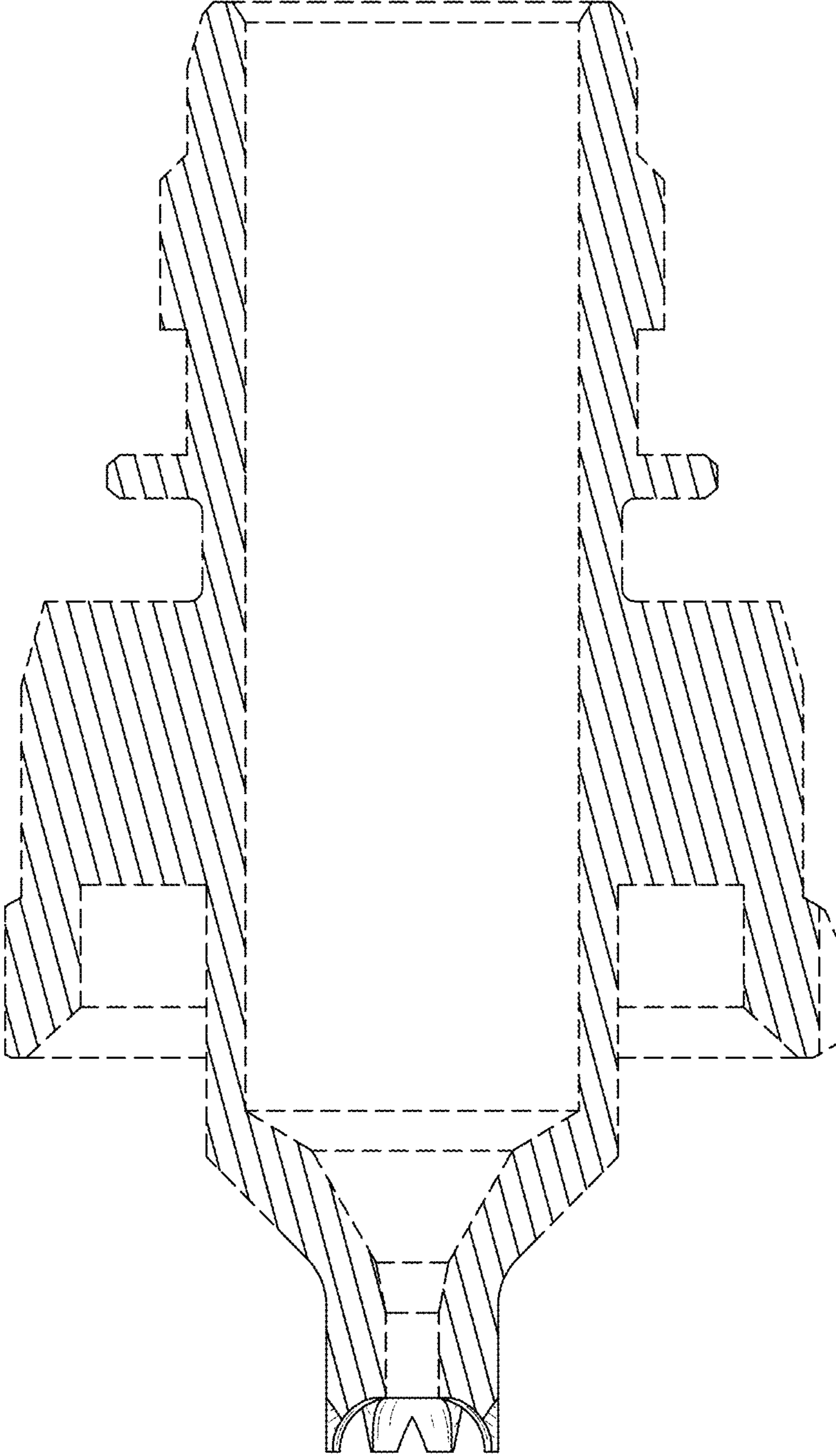


FIG. 13

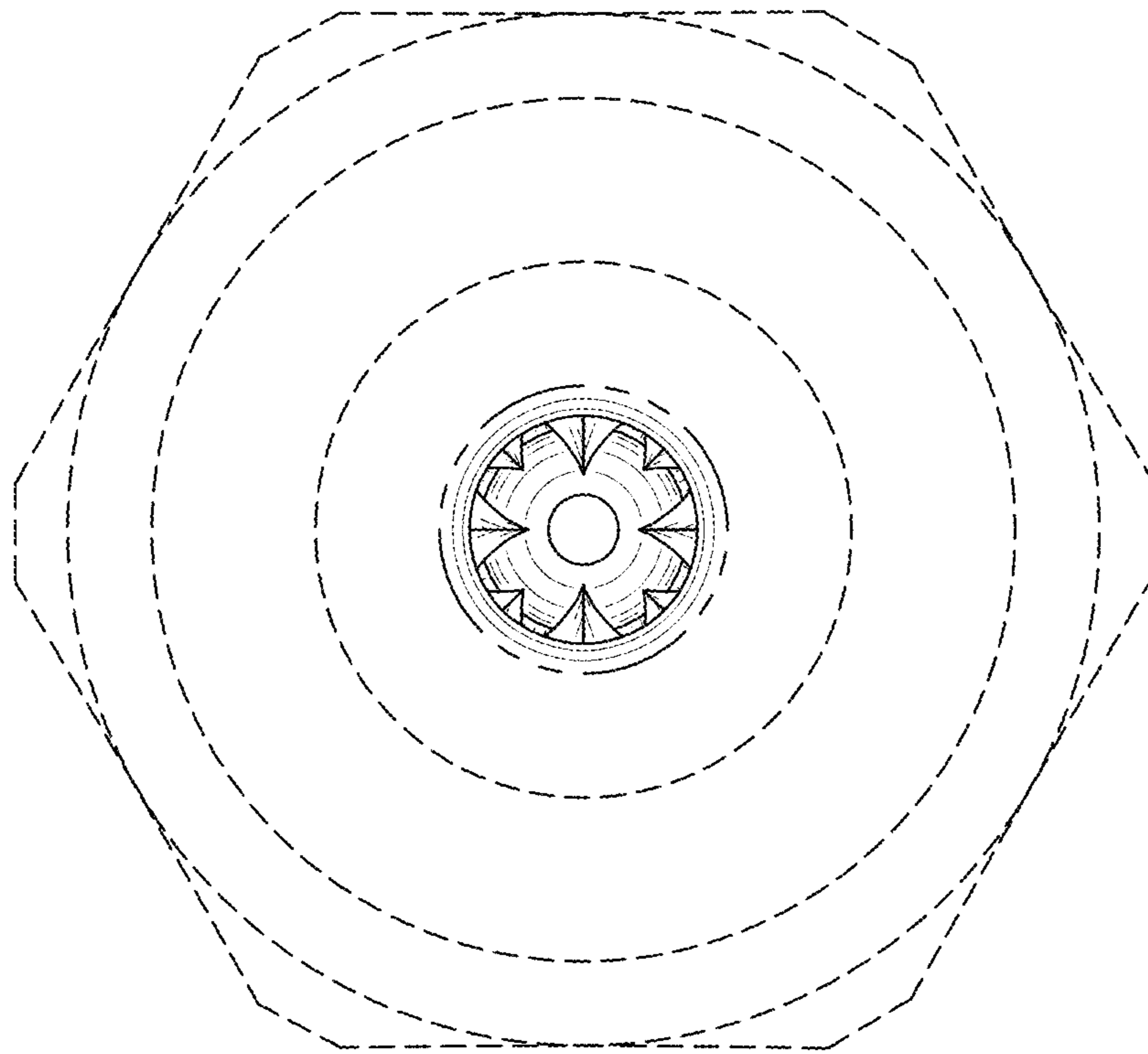


FIG. 14



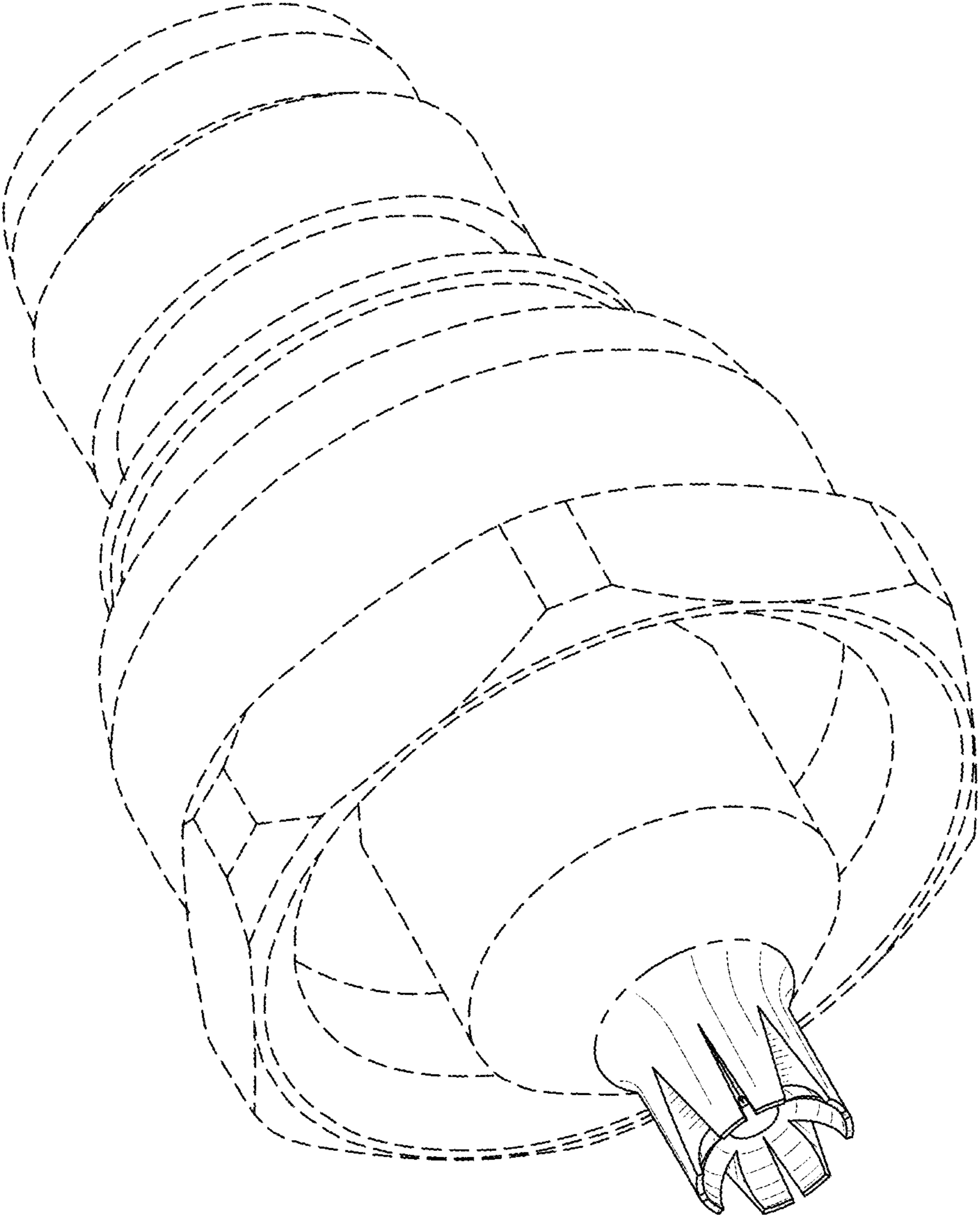


FIG. 15

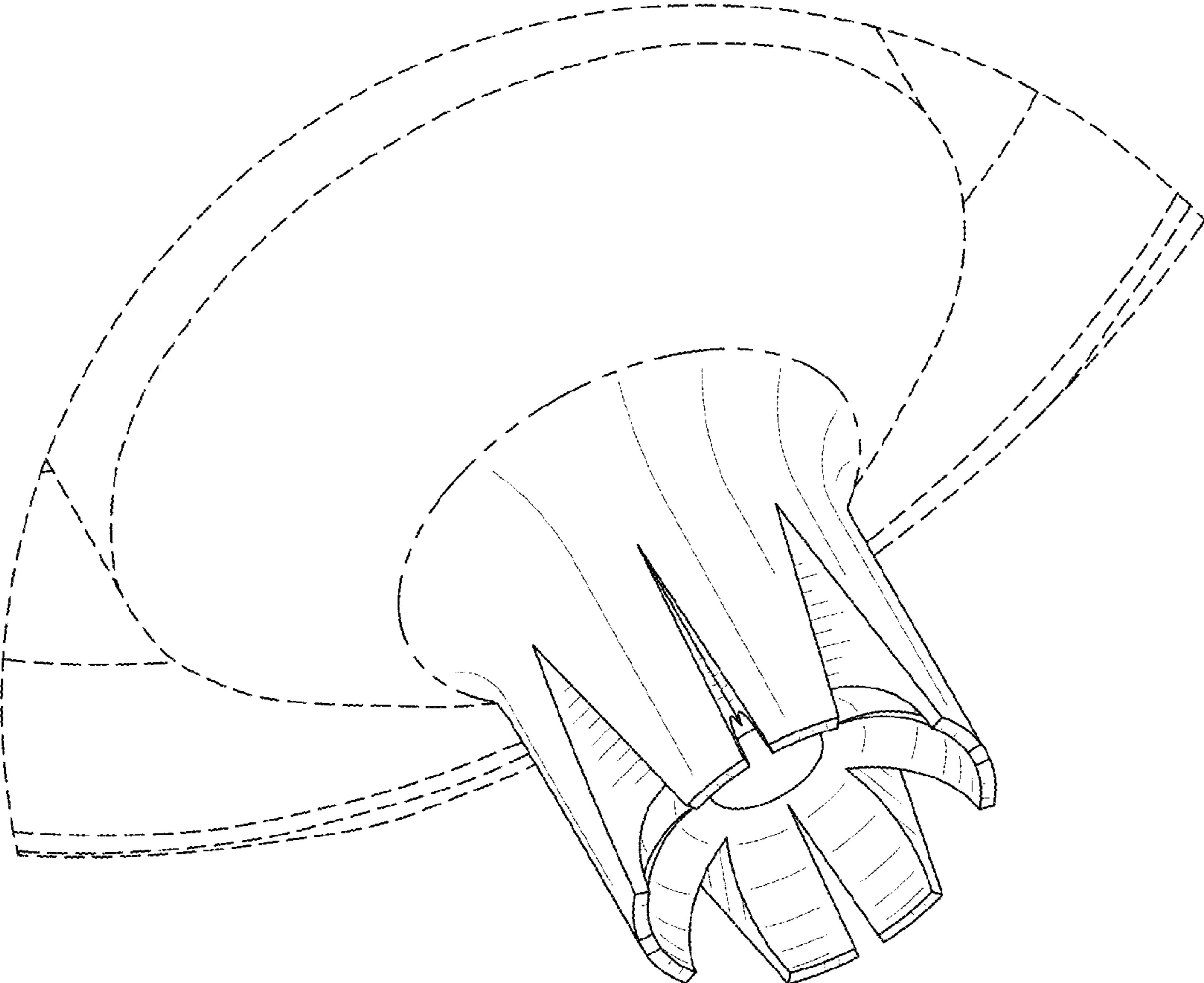


FIG. 16

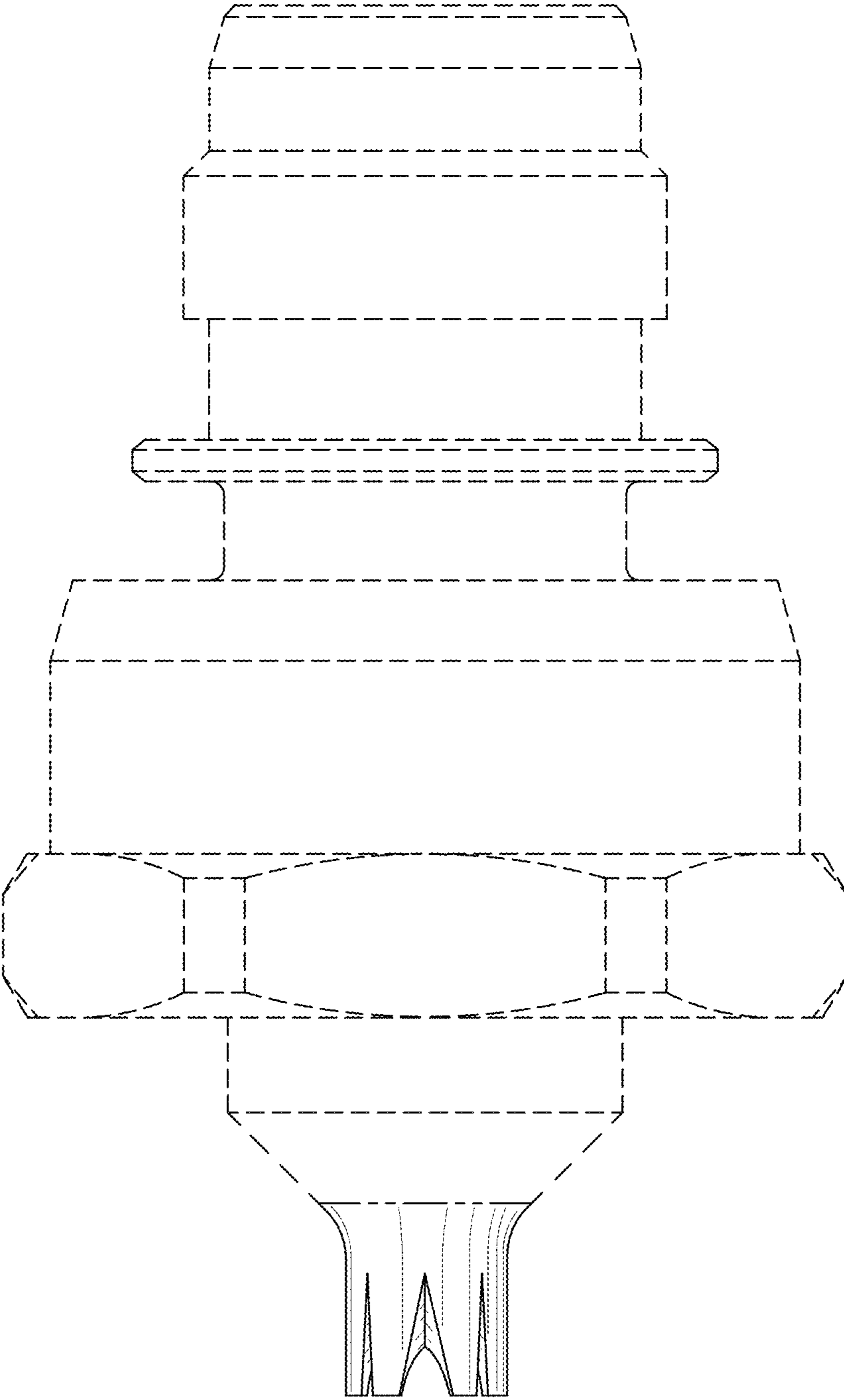


FIG. 17

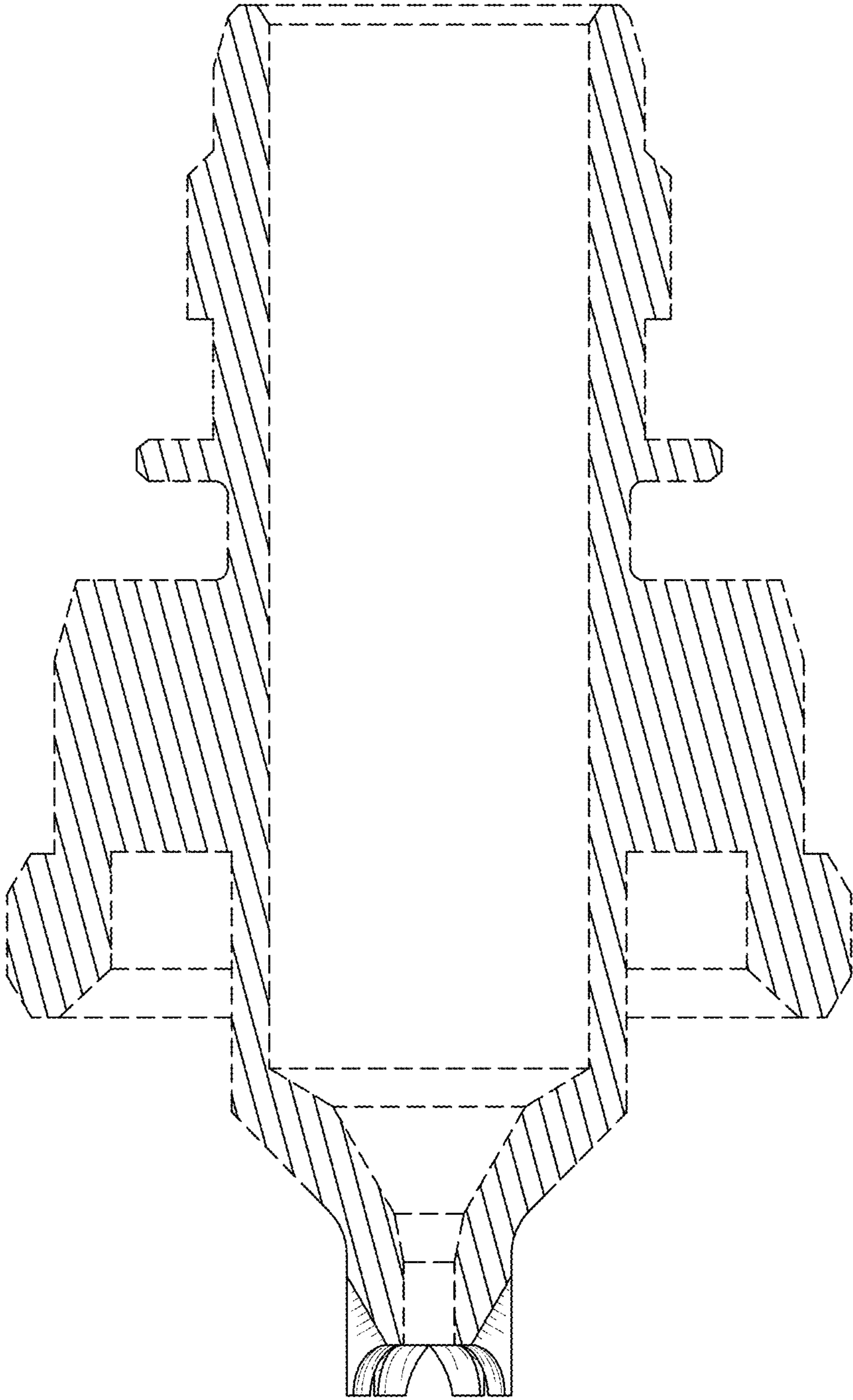


FIG. 18

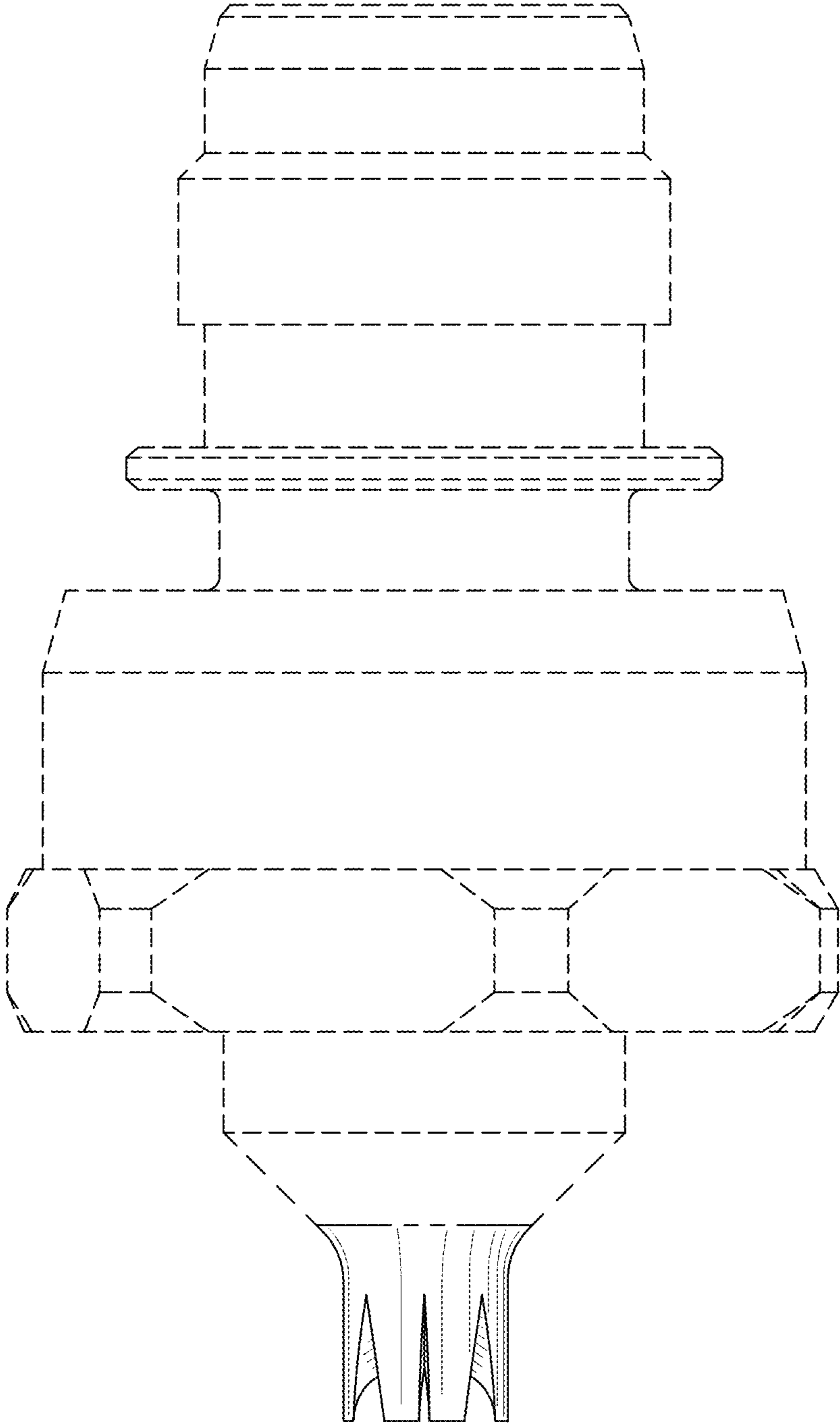


FIG. 19

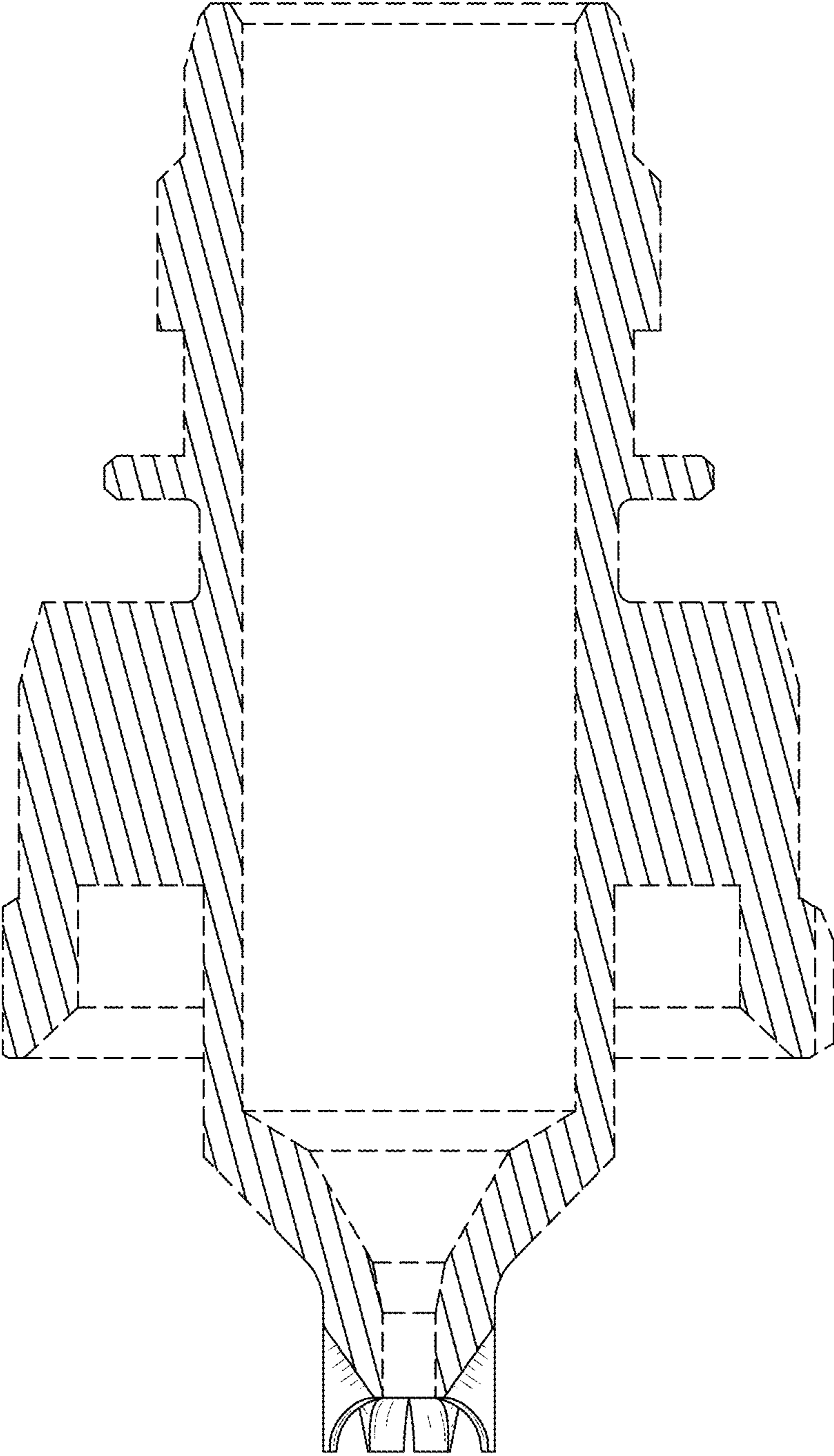


FIG. 20

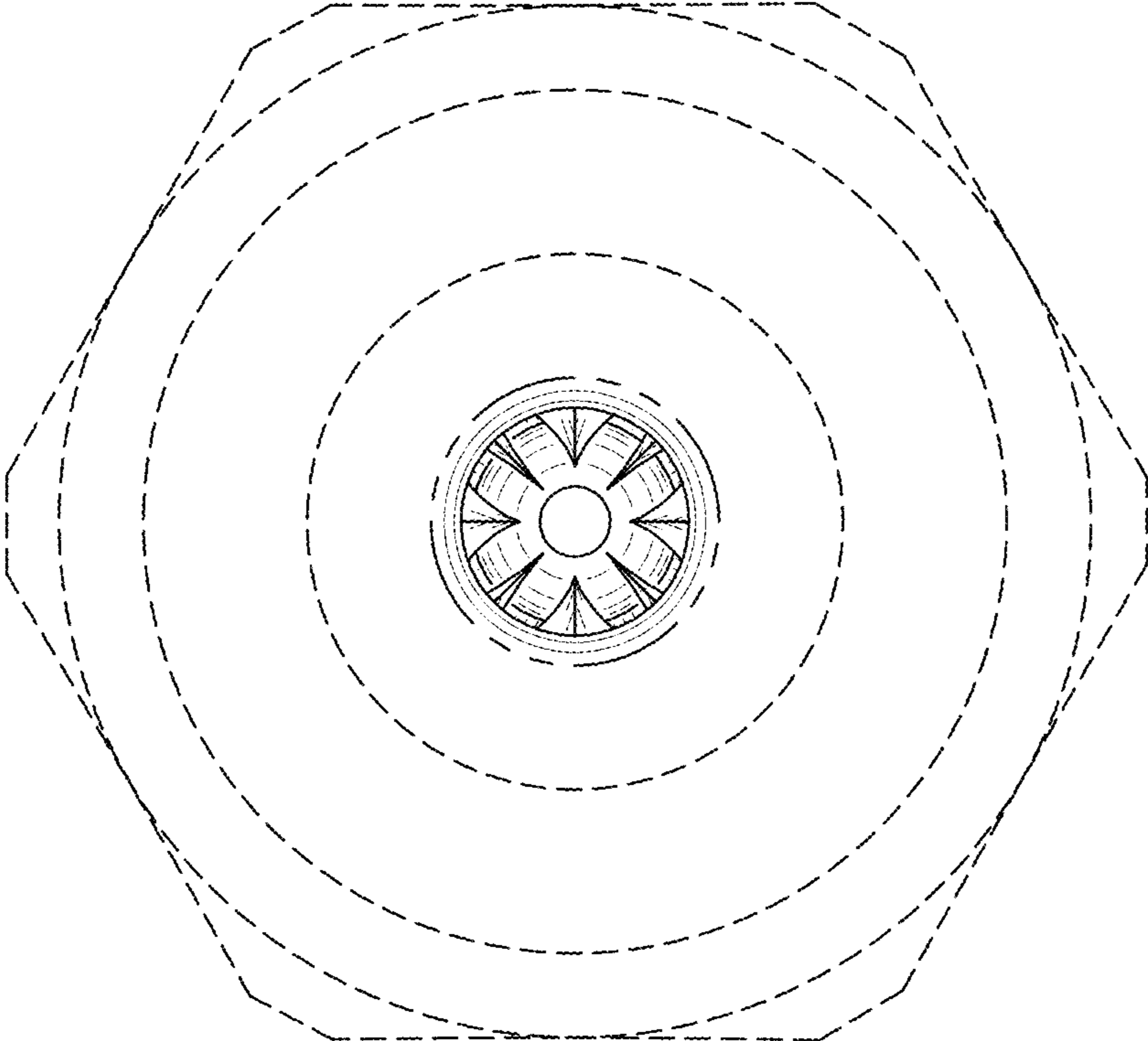


FIG. 21

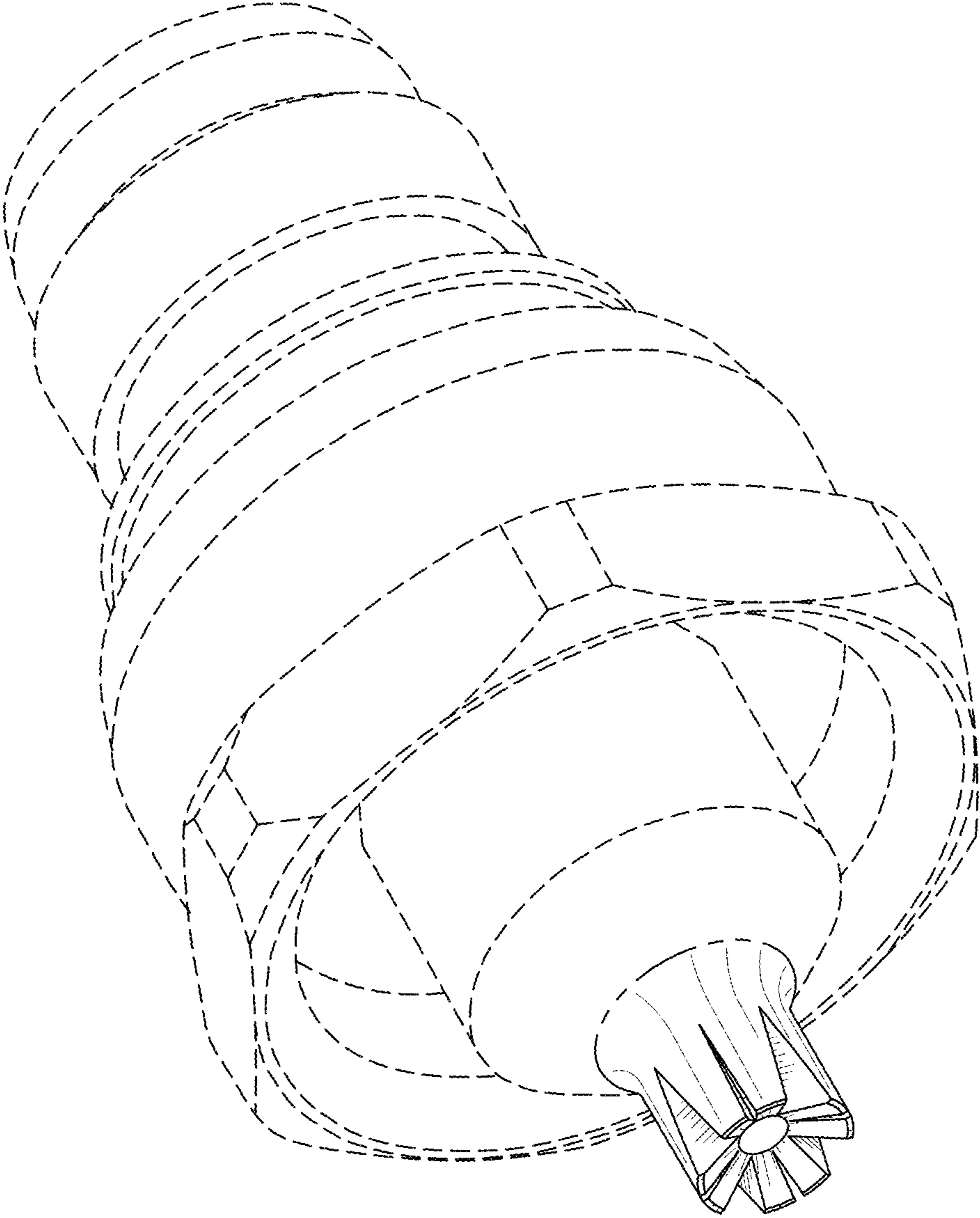
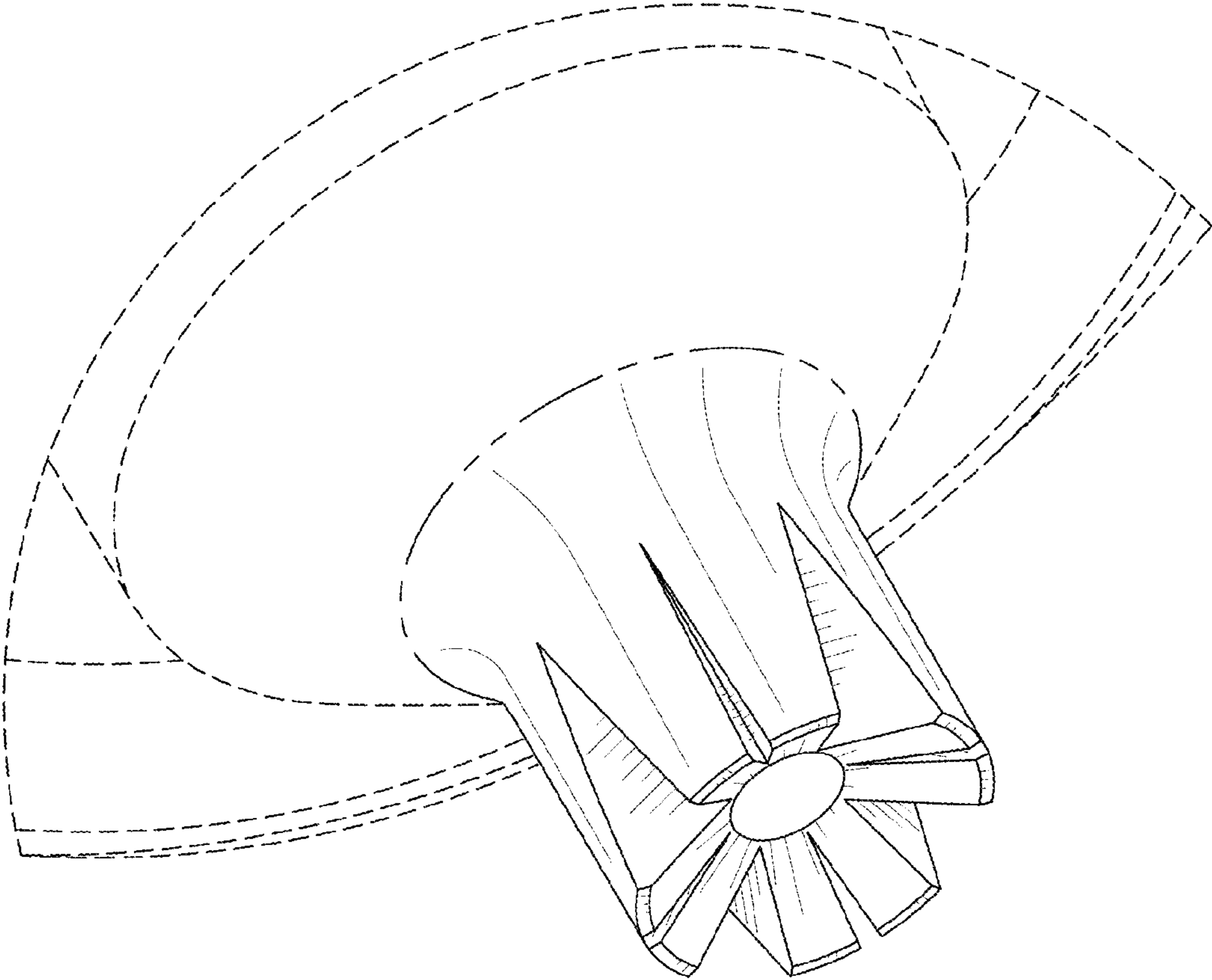


FIG. 22



FIG. 23



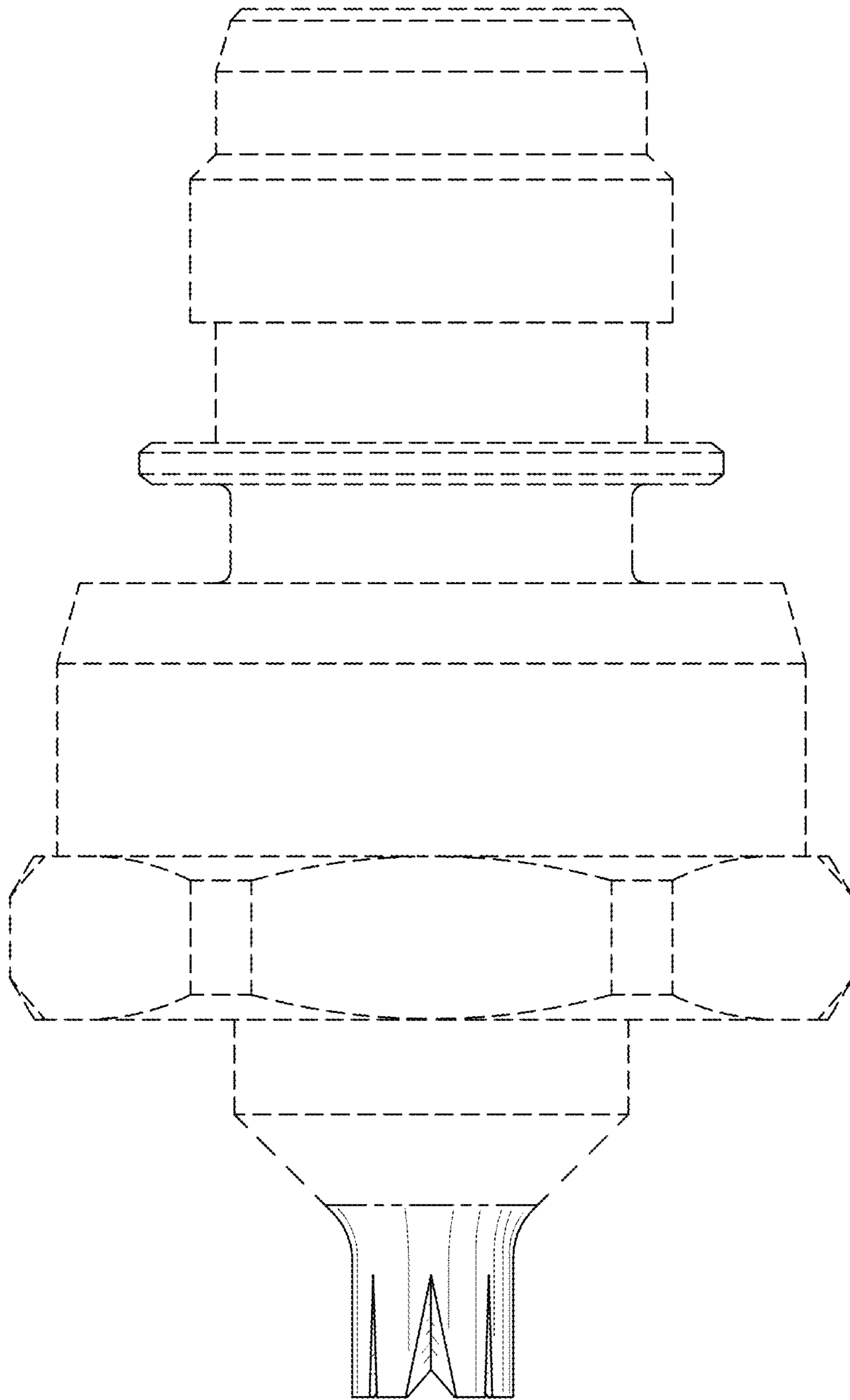


FIG. 24

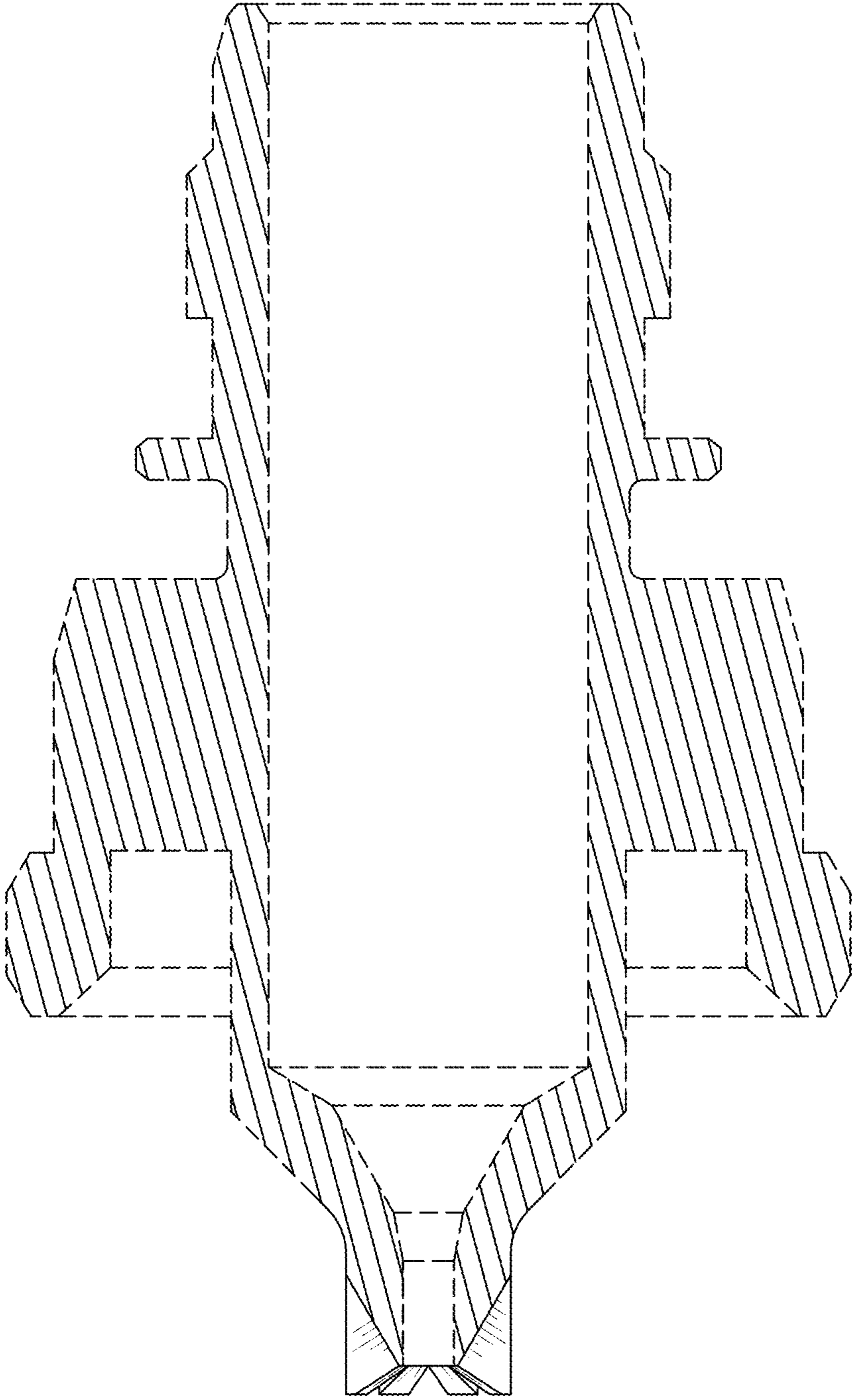


FIG. 25

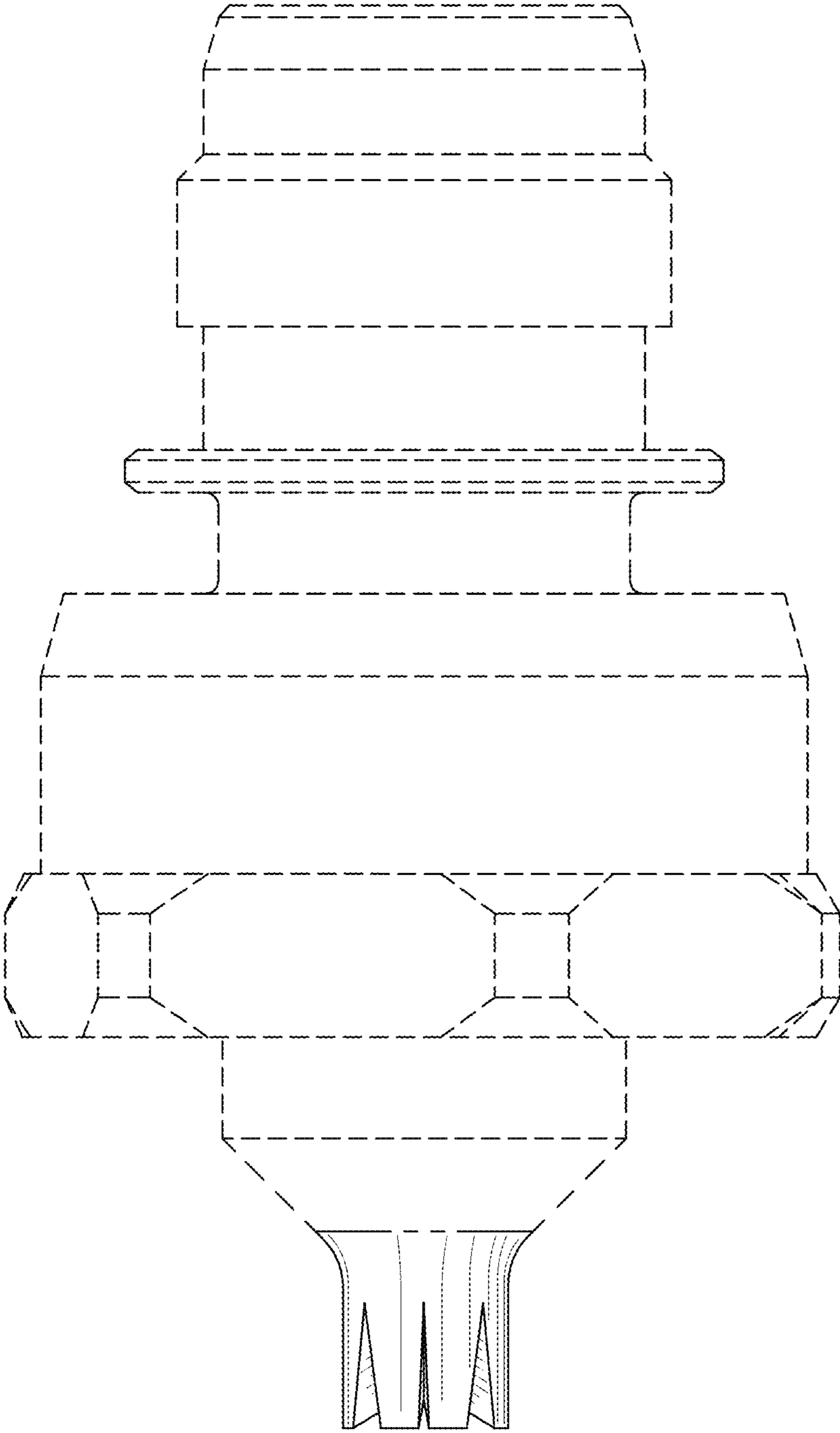


FIG. 26

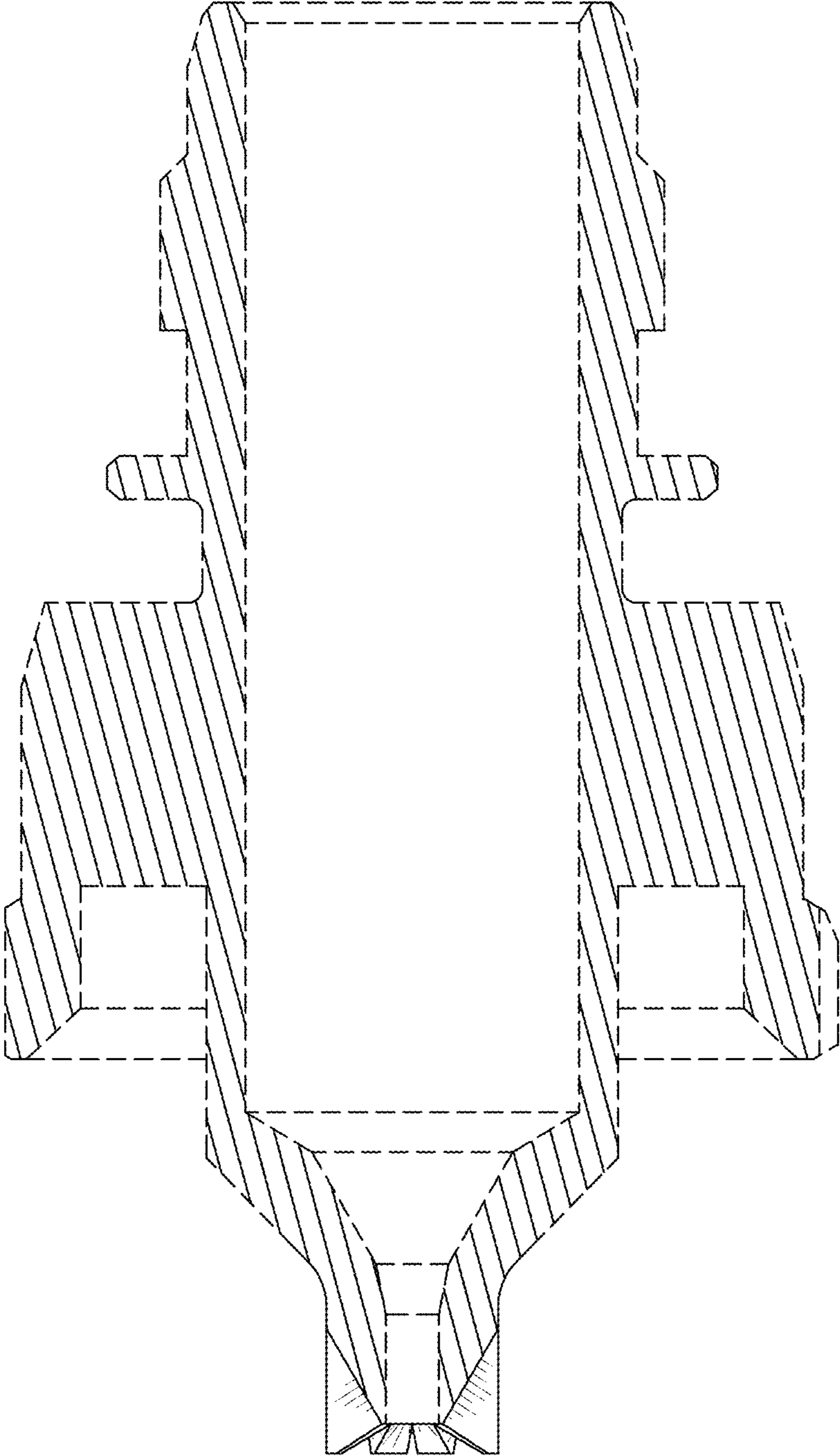


FIG. 27

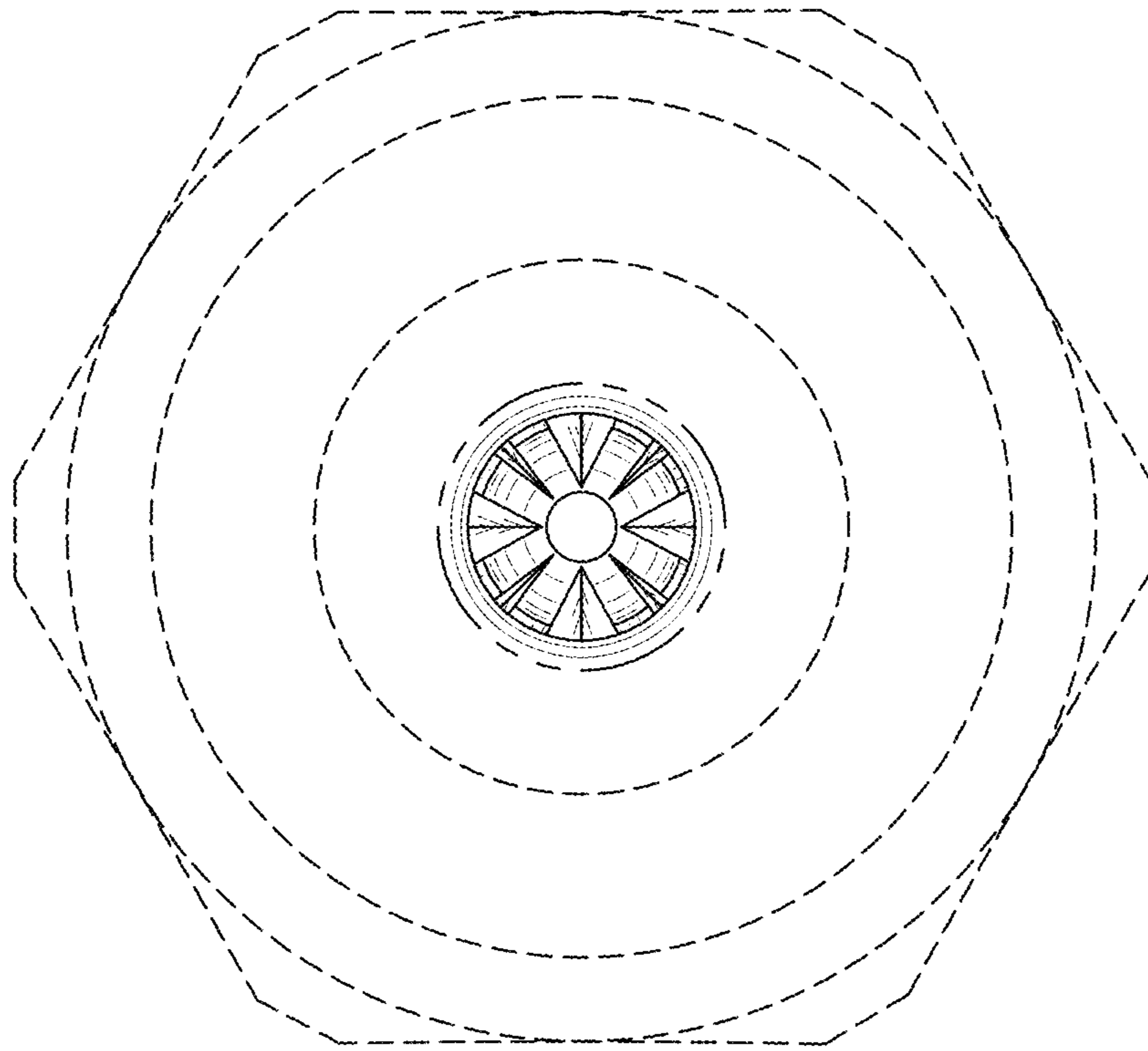


FIG. 28