



US00D755922S

(12) **United States Design Patent**
Sherman et al.

(10) **Patent No.:** **US D755,922 S**
(45) **Date of Patent:** **** May 10, 2016**

(54) **FILTRATION SYSTEM**

(71) Applicant: **KX Technologies LLC**, West Haven, CT (US)

(72) Inventors: **Michael J. Sherman**, Woodbury, MN (US); **Lori Foix**, Inver Grove Heights, MN (US); **Steven J. Haehn**, Oakdale, MN (US); **Erik R. Klimpel**, Woodbury, MN (US); **David W. Fisher**, Eagan, MN (US); **David T. Bardwell**, Woodbury, MN (US); **Steven K. Wilson**, Pine City, MN (US); **James B. Larson**, Stillwater, MN (US); **Stephen P. Huda**, Shelton, CT (US); **Frank A. Brigano**, Northford, CT (US)

(73) Assignee: **KX Technologies LLC**, West Haven, CT (US)

(**) Term: **14 Years**

(21) Appl. No.: **29/513,028**

(22) Filed: **Dec. 24, 2014**

Related U.S. Application Data

(63) Continuation of application No. 13/422,657, filed on Mar. 16, 2012, now Pat. No. 8,945,383.

(51) **LOC (10) Cl.** **23-01**

(52) **U.S. Cl.**
USPC **D23/209**

(58) **Field of Classification Search**
USPC D23/207, 209, 262, 259, 265; 210/232, 210/234, 236, 418, 493.2; D8/382; 285/360, 361
CPC B01D 2201/291; B01D 2201/293; B01D 2201/296; B01D 2201/298; B01D 2201/301-2201/306; B01D 35/153; B01D 35/157; B01D 35/30; B01D 29/111
See application file for complete search history.

(56) **References Cited**

U.S. PATENT DOCUMENTS

3,055,503 A * 9/1962 Oliver B01D 29/54
210/238
3,828,932 A 8/1974 Schneer
D243,767 S * 3/1977 Rutherford D23/207
5,118,418 A 6/1992 Roussel
5,376,271 A 12/1994 Morgan, Jr.
5,626,746 A 5/1997 Rose

(Continued)

FOREIGN PATENT DOCUMENTS

DE 10 2008 002 727 12/2009

Primary Examiner — Robin V Webster

(74) *Attorney, Agent, or Firm* — Robert Curcio; DeLio, Peterson & Curcio, LLC

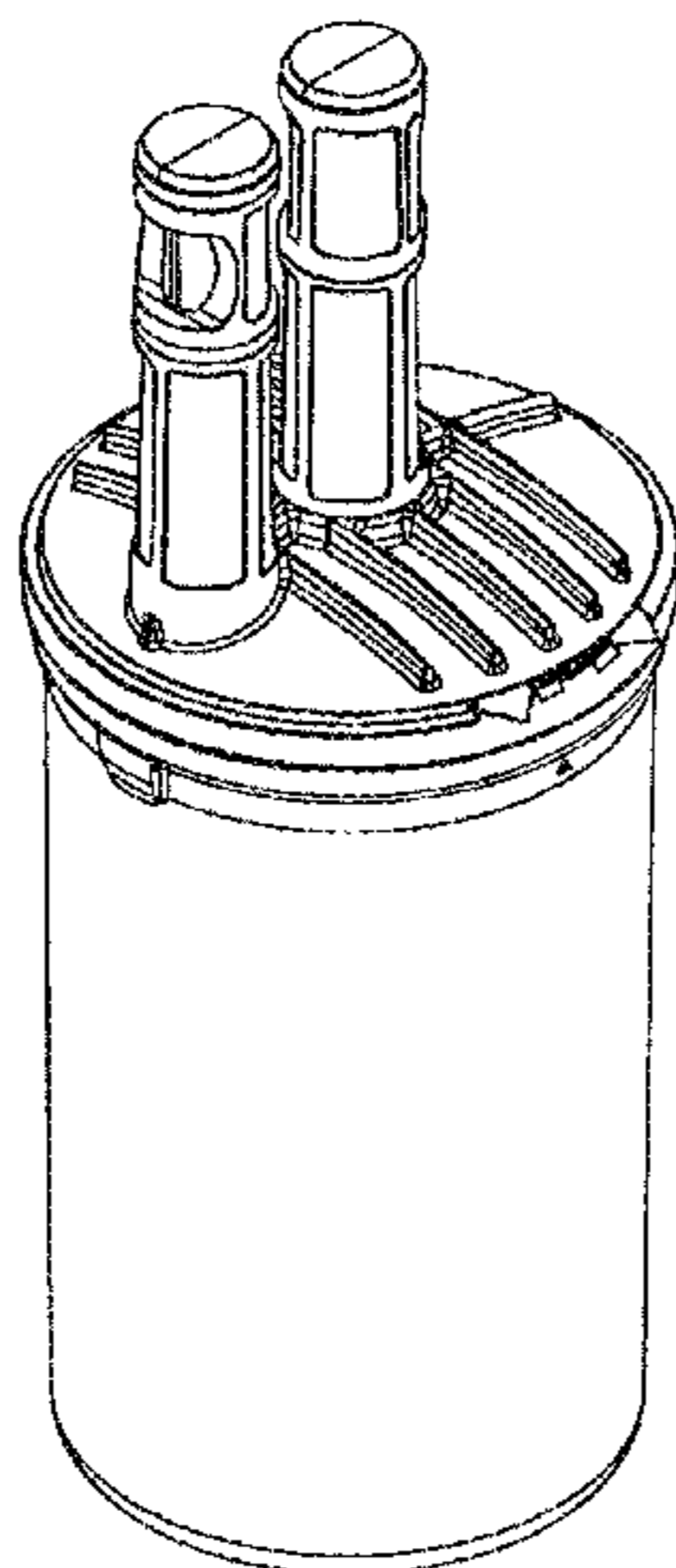
(57) **CLAIM**

We claim the ornamental design for a “filtration system,” as shown and described.

DESCRIPTION

FIG. 1 is the front view of the filtration system according to the present invention;
FIG. 2 is back view of the filtration system according to the present invention;
FIG. 3 is left-side view of the filtration system according to the present invention;
FIG. 4 is a right-side view of the filtration system according to the present invention;
FIG. 5 is a top view of the filtration system according to the present invention;
FIG. 6 is a bottom view of the filtration system according to the present invention;
FIG. 7 is a top perspective view of the filtration system according to the present invention; and,
FIG. 8 is a bottom perspective view of the filtration system according to the present invention.

1 Claim, 3 Drawing Sheets



(56)

References Cited

U.S. PATENT DOCUMENTS

6,193,884 B1 2/2001 Magnusson et al.
6,460,564 B1 10/2002 Rief et al.
7,056,436 B2 6/2006 Stankowski et al.
7,387,210 B2 6/2008 Burrows et al.
7,407,148 B2 8/2008 Bassett et al.
7,651,070 B2 1/2010 Ruprecht
7,763,170 B2 7/2010 Bassett et al.
7,850,845 B2 12/2010 Wiczorek et al.
7,926,666 B2 4/2011 Herman et al.

8,562,831 B2* 10/2013 Bors B01D 35/306
210/232
2005/0103697 A1 5/2005 Magnusson et al.
2006/0000754 A1 1/2006 Kang et al.
2006/0070942 A1 4/2006 An
2007/0284296 A1 12/2007 Swain et al.
2008/0047889 A1 2/2008 Huda
2009/0236271 A1 9/2009 Eserkaln et al.
2010/0116730 A1 5/2010 Mitchell
2011/0024344 A1 2/2011 Thomas et al.
2011/0247974 A1 10/2011 Gale et al.
2012/0031821 A1 2/2012 Swain

* cited by examiner

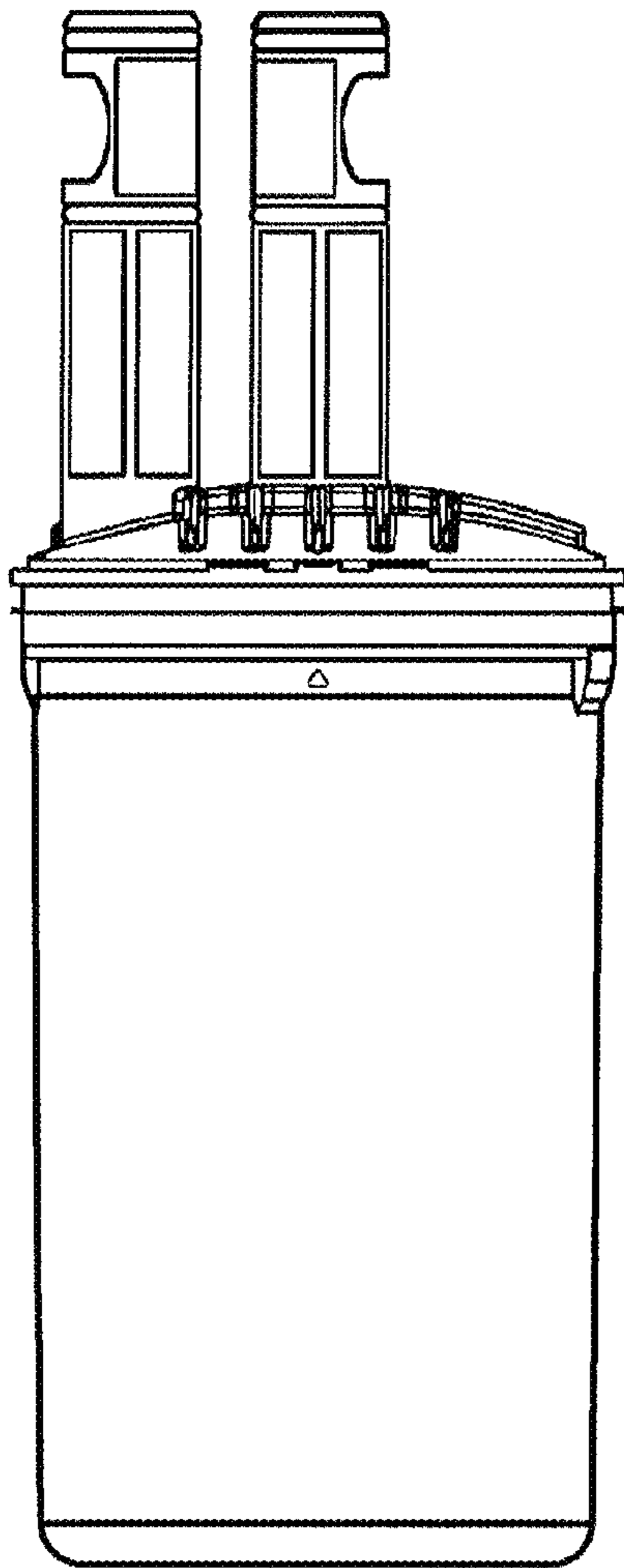


FIG. 1

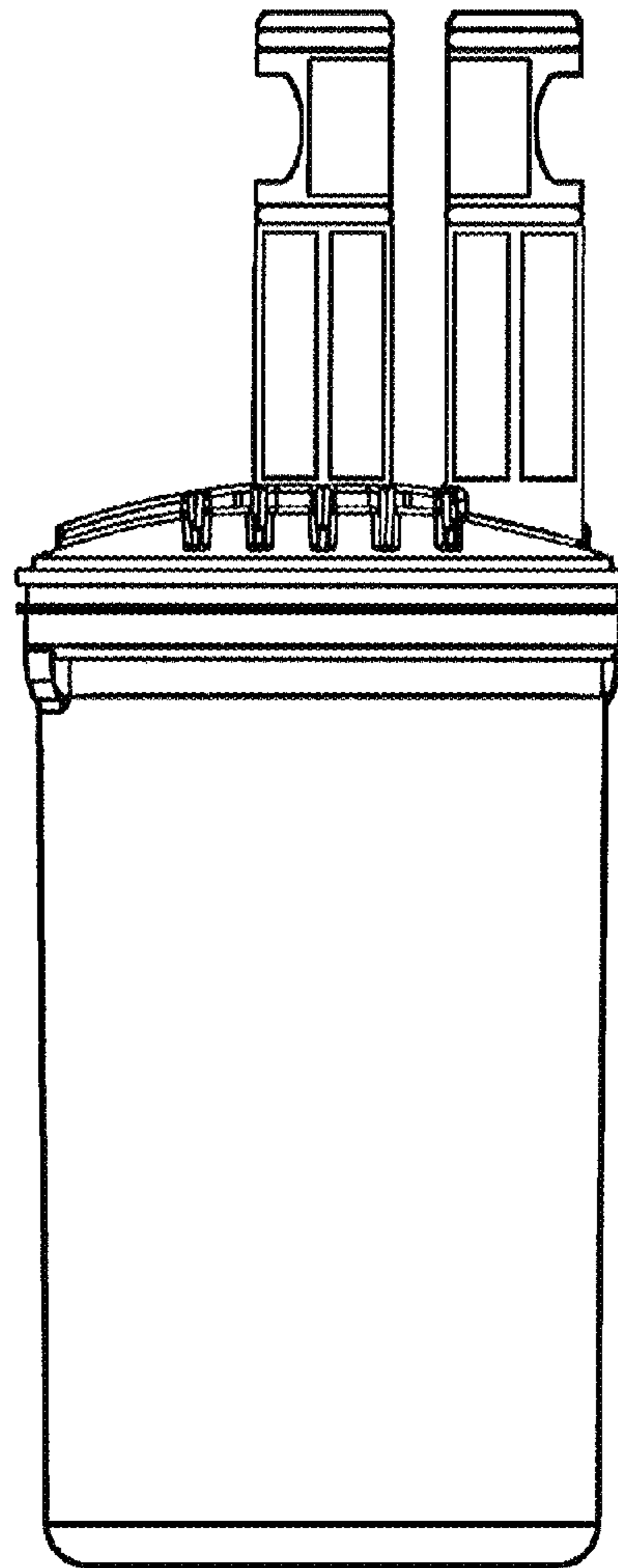


FIG. 2

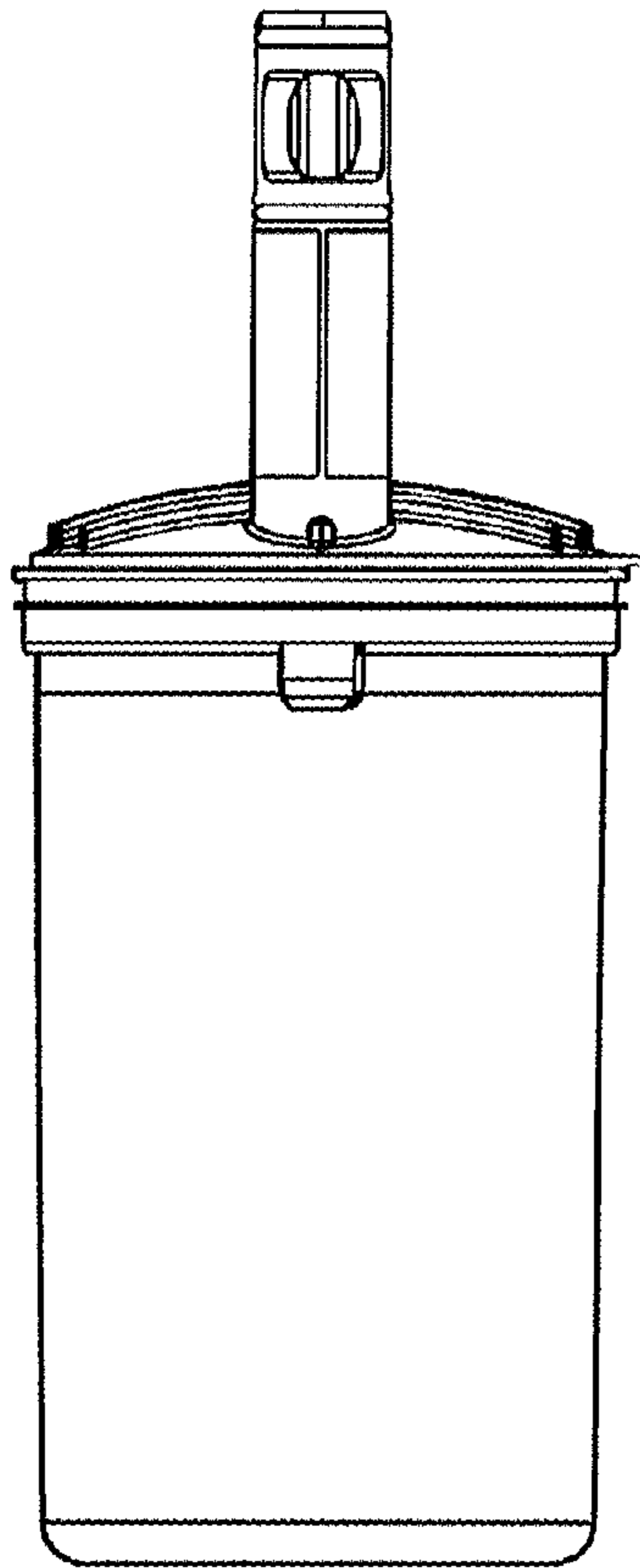


FIG. 3

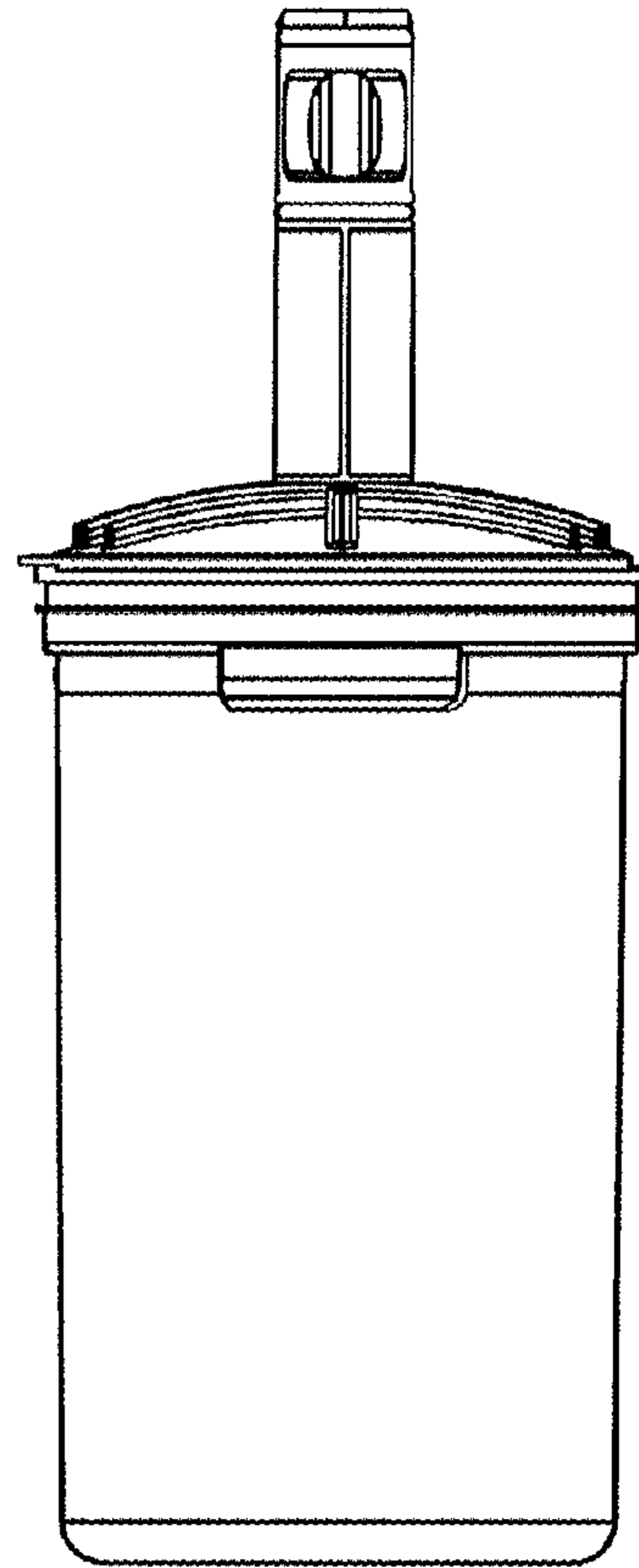


FIG. 4

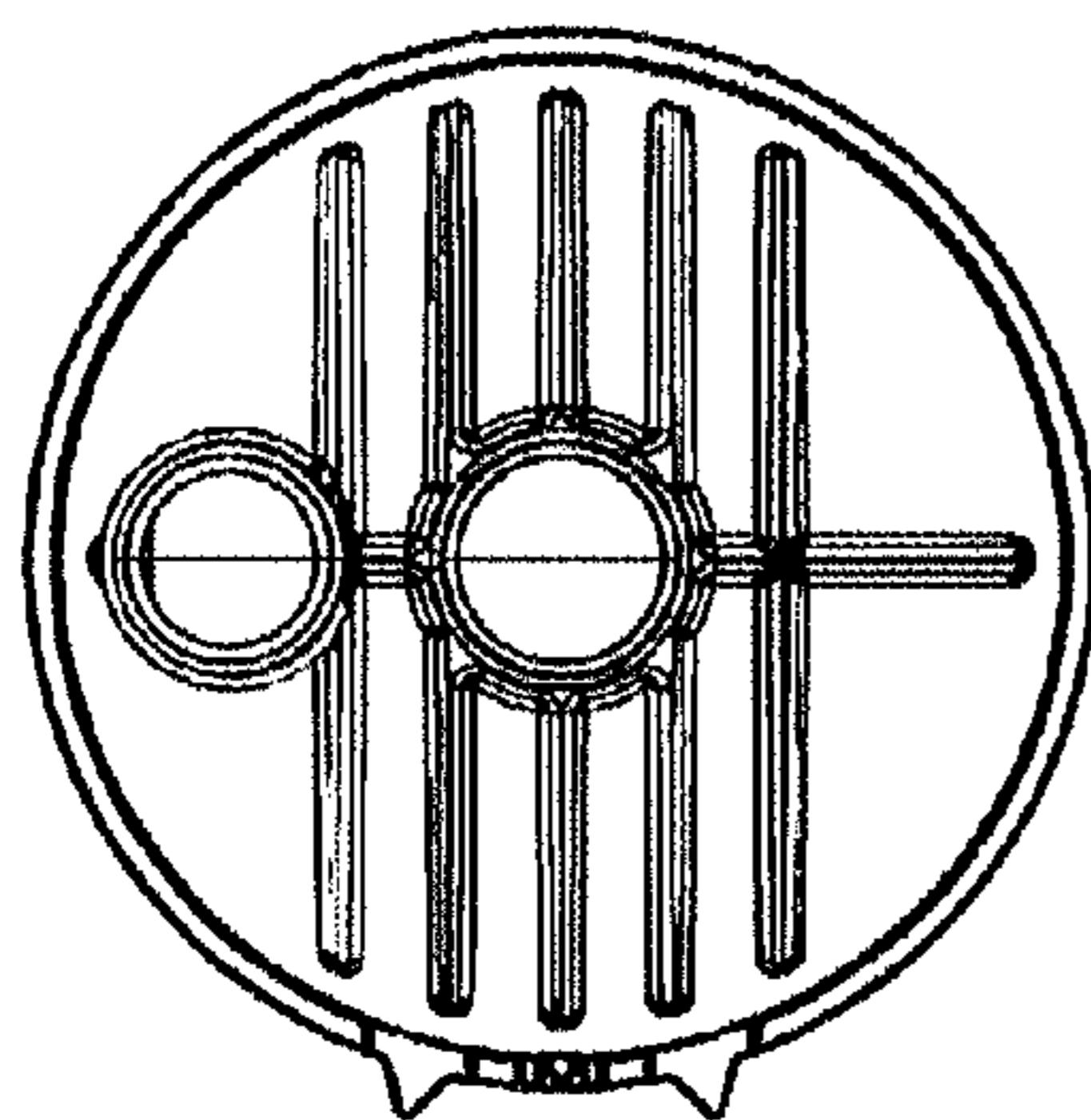


FIG. 5

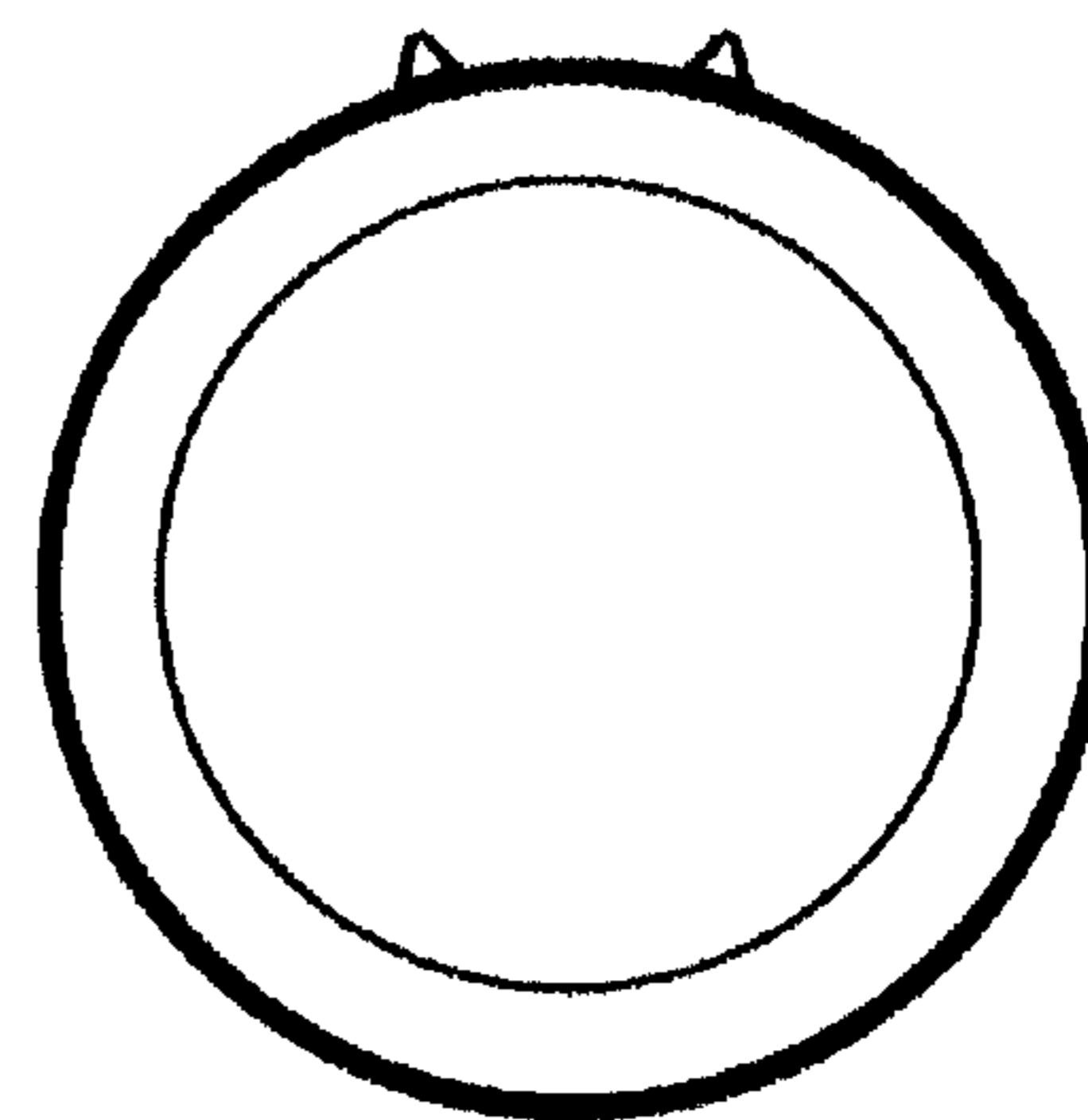


FIG. 6

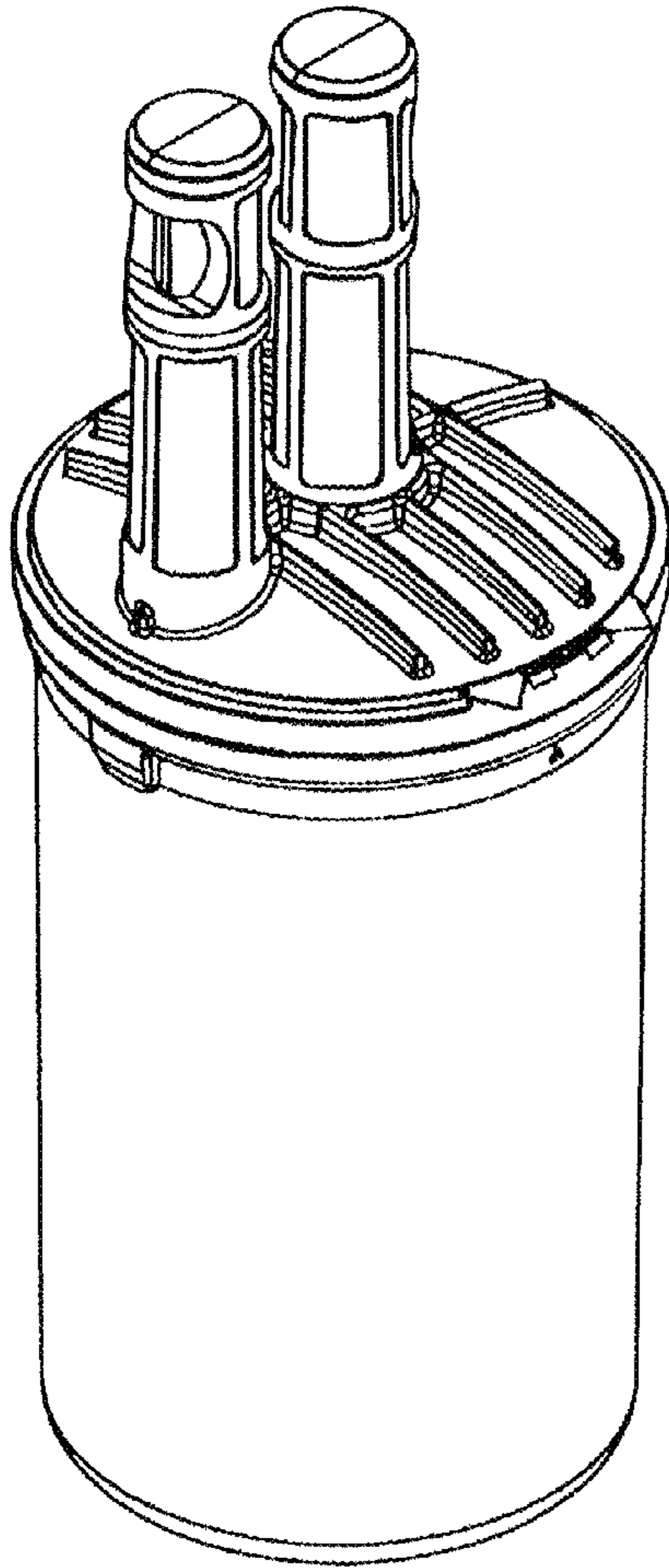


FIG. 7

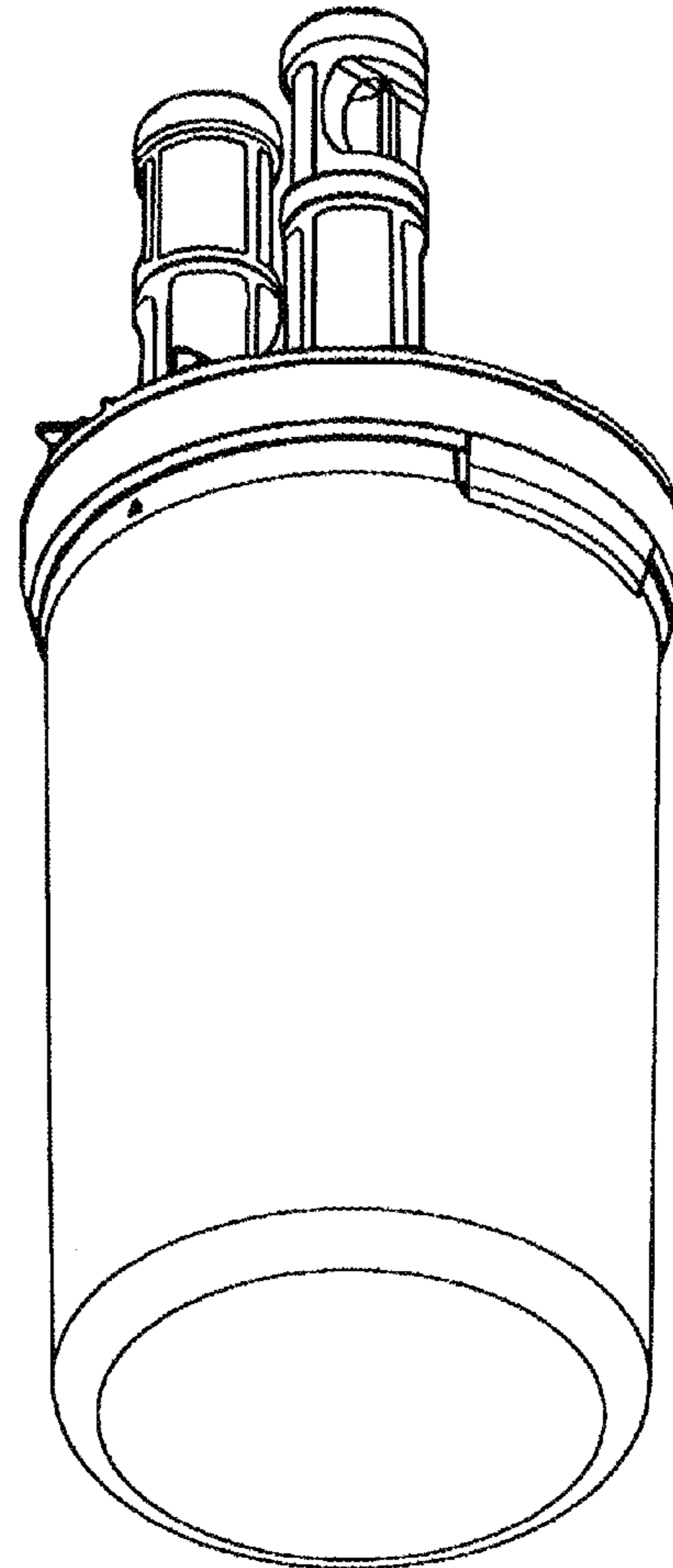


FIG. 8