



US00D755921S

(12) **United States Design Patent**  
**Nitta**

(10) **Patent No.:** **US D755,921 S**  
(45) **Date of Patent:** **\*\* May 10, 2016**

(54) **FISH BAIT HARNESS/HOOK RIG**  
(71) Applicant: **Gye S. Nitta**, Honolulu, HI (US)  
(72) Inventor: **Gye S. Nitta**, Honolulu, HI (US)  
(\*\*) Term: **14 Years**

(21) Appl. No.: **29/515,837**

(22) Filed: **Jan. 27, 2015**

(51) **LOC (10) Cl.** ..... **22-05**

(52) **U.S. Cl.**  
USPC ..... **D22/144**

(58) **Field of Classification Search**  
USPC ..... D22/144; 43/43.6, 43.16, 44.8, 43.2,  
43/42.43, 42.4, 42.09, 42.42  
CPC ..... A01K 83/00; A01K 83/06; A01K 85/00  
See application file for complete search history.

(56) **References Cited**

**U.S. PATENT DOCUMENTS**

2,564,216	A *	8/1951	Stark	.....	A01K 83/06 43/43.16
3,231,999	A *	2/1966	Gurka	.....	A01K 83/00 43/42.09
4,596,086	A *	6/1986	Garland	.....	A01K 85/00 43/42.4
4,597,216	A *	7/1986	Bjorshol	.....	A01K 83/00 43/42.4
D528,628	S *	9/2006	Duymaz	.....	D22/144
D687,918	S *	8/2013	Paredes	.....	D22/144

\* cited by examiner

*Primary Examiner* — Catheri Oliver-Garcia

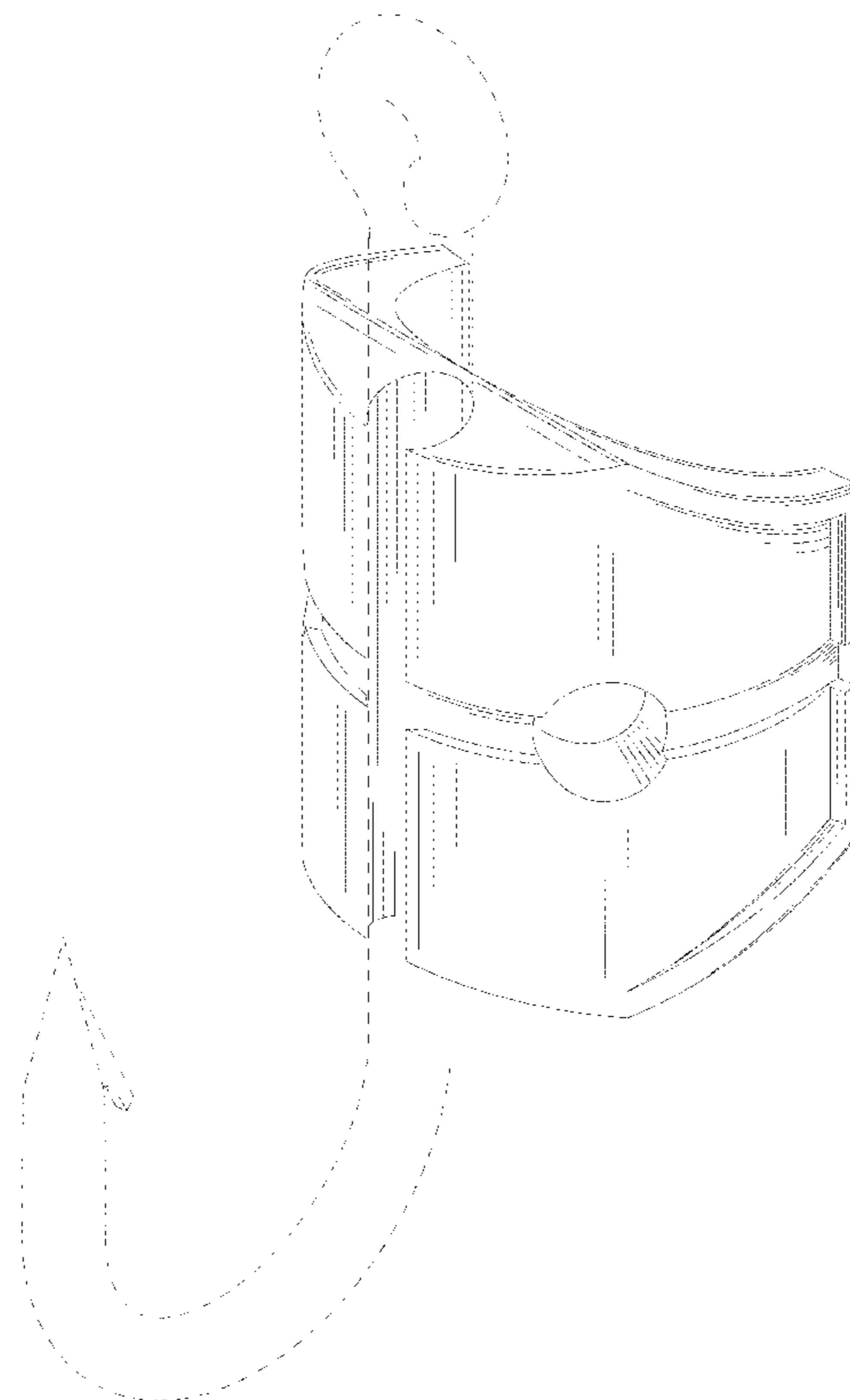
(57) **CLAIM**

The ornamental design for a fish bait harness/hook rig, as shown and described.

**DESCRIPTION**

FIG. 1 is a top, front and left side perspective view of a fish bait harness/hook rig;  
 FIG. 2 is a top, front and right side perspective view thereof;  
 FIG. 3 is a bottom, front and left side perspective view thereof;  
 FIG. 4 is a bottom, front and right side perspective view thereof;  
 FIG. 5 is a front view thereof;  
 FIG. 6 is a rear view thereof;  
 FIG. 7 is a left view thereof;  
 FIG. 8 is a right view thereof;  
 FIG. 9 is a top view thereof;  
 FIG. 10 is a bottom view thereof; and,  
 FIG. 11 is a perspective view of the present invention implemented with a hook.  
 The broken line showing of a hook in FIG. 11 depicts environmental structure and is for illustrative purposes only and forms no part of the claimed design.

**1 Claim, 11 Drawing Sheets**



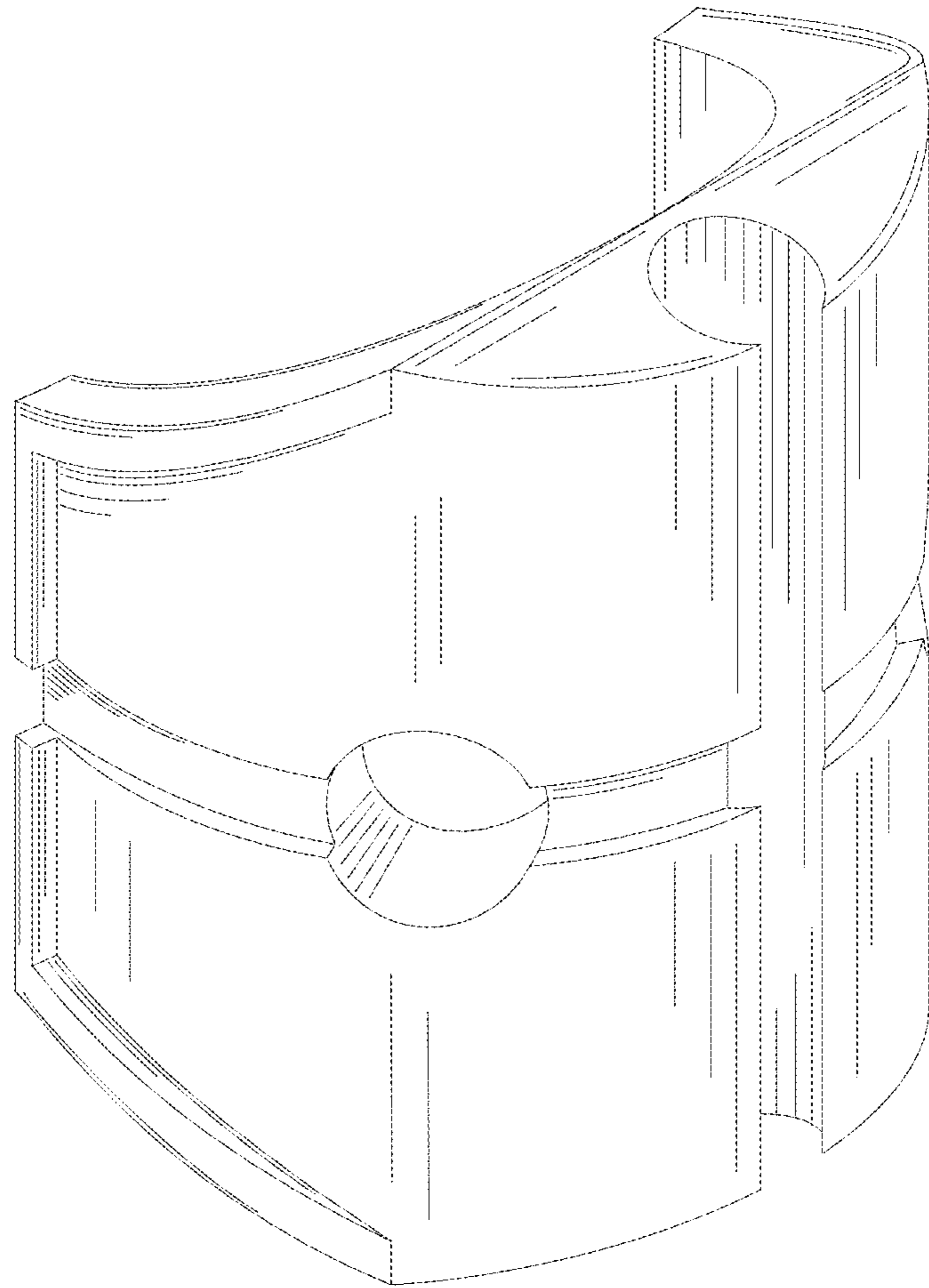


FIG. 1

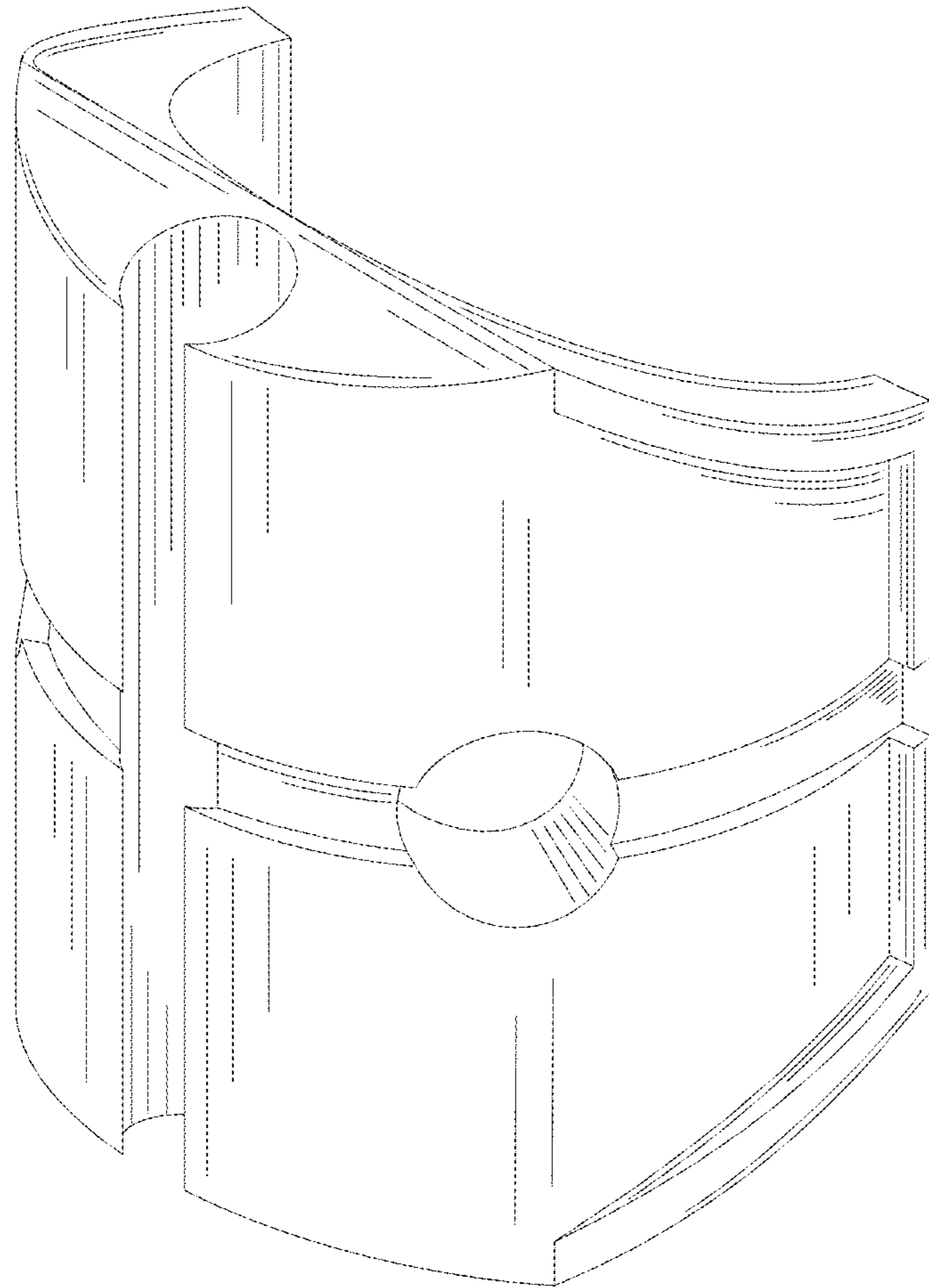


FIG. 2

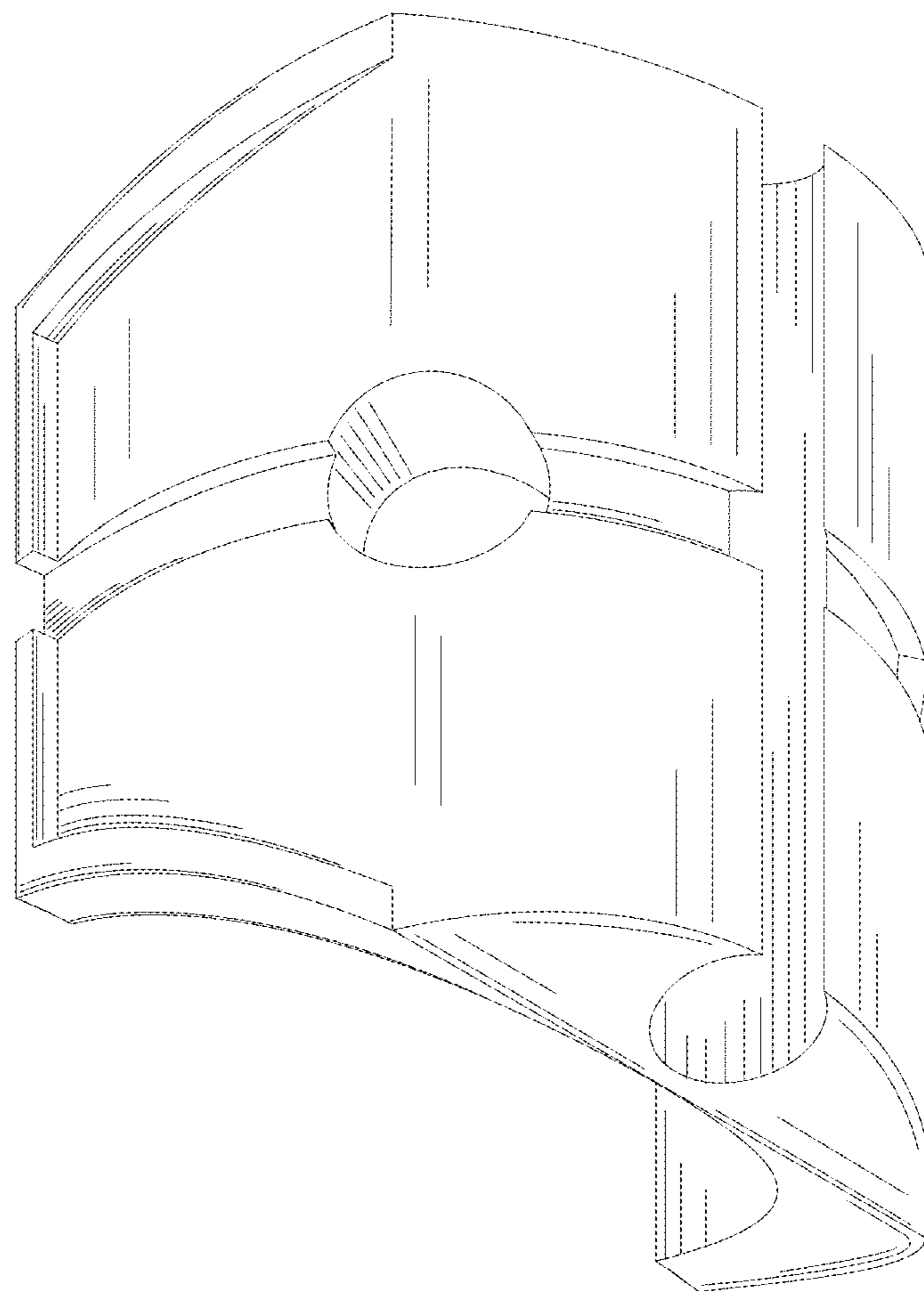


FIG. 3

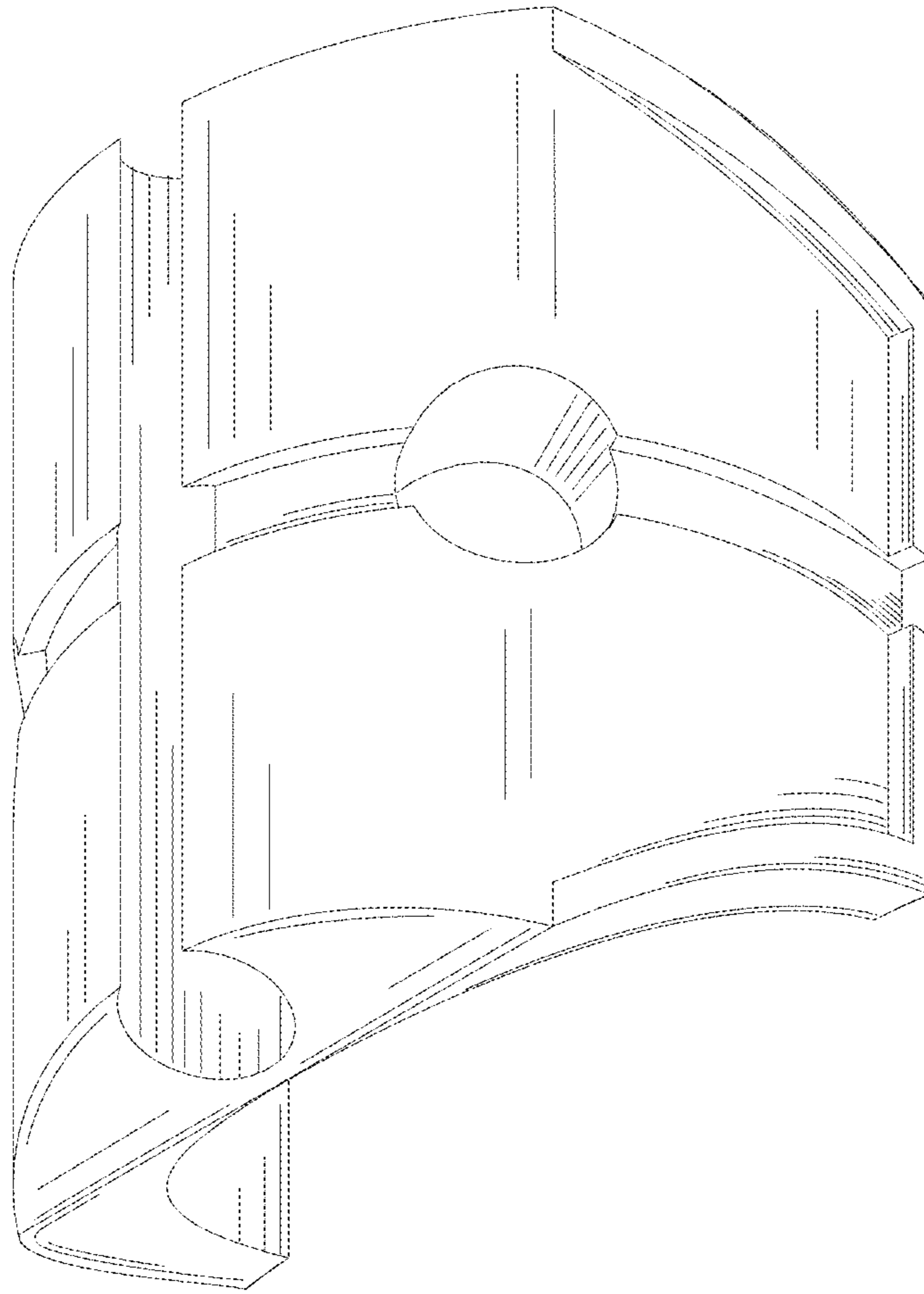


FIG. 4

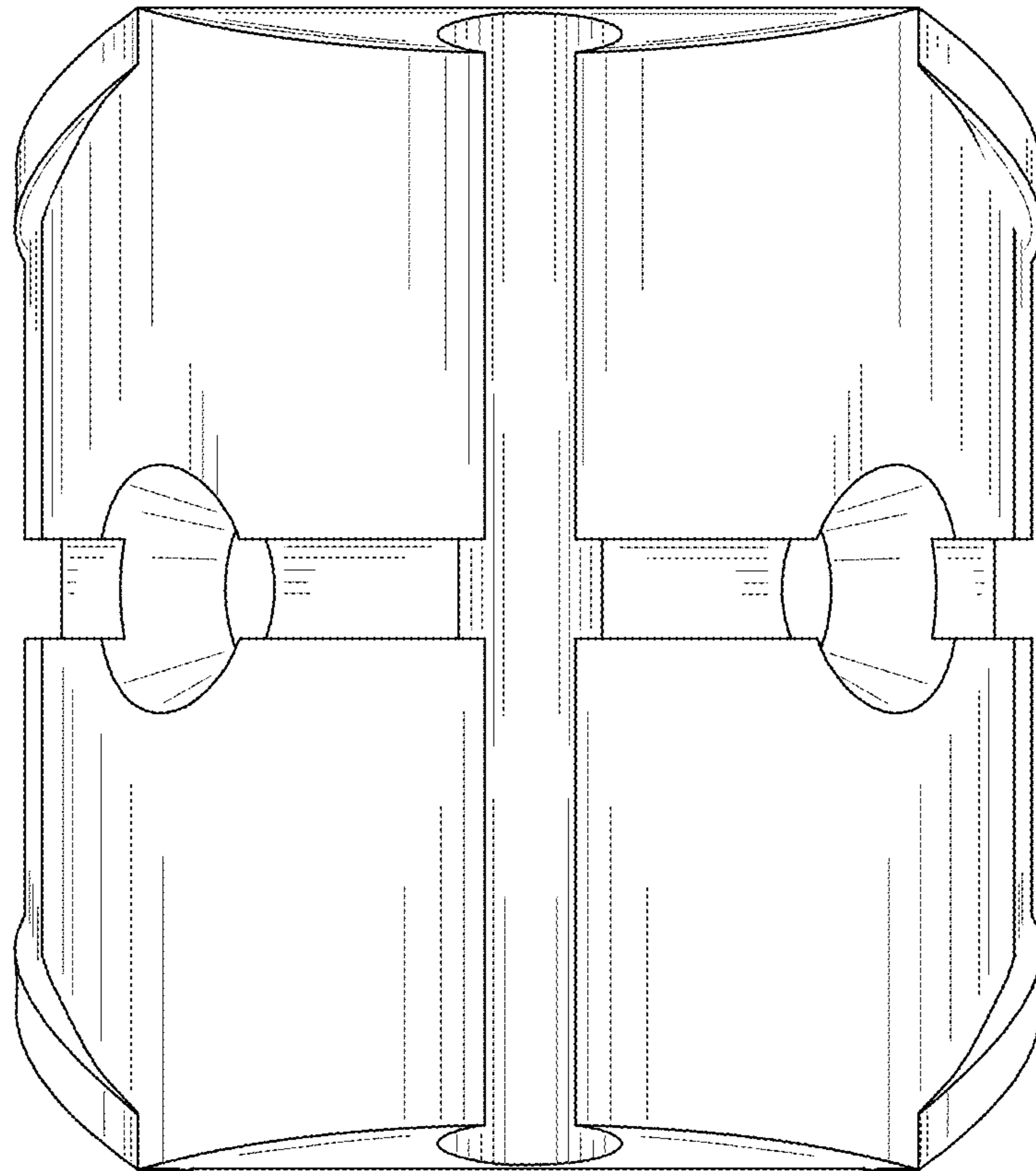


FIG. 5

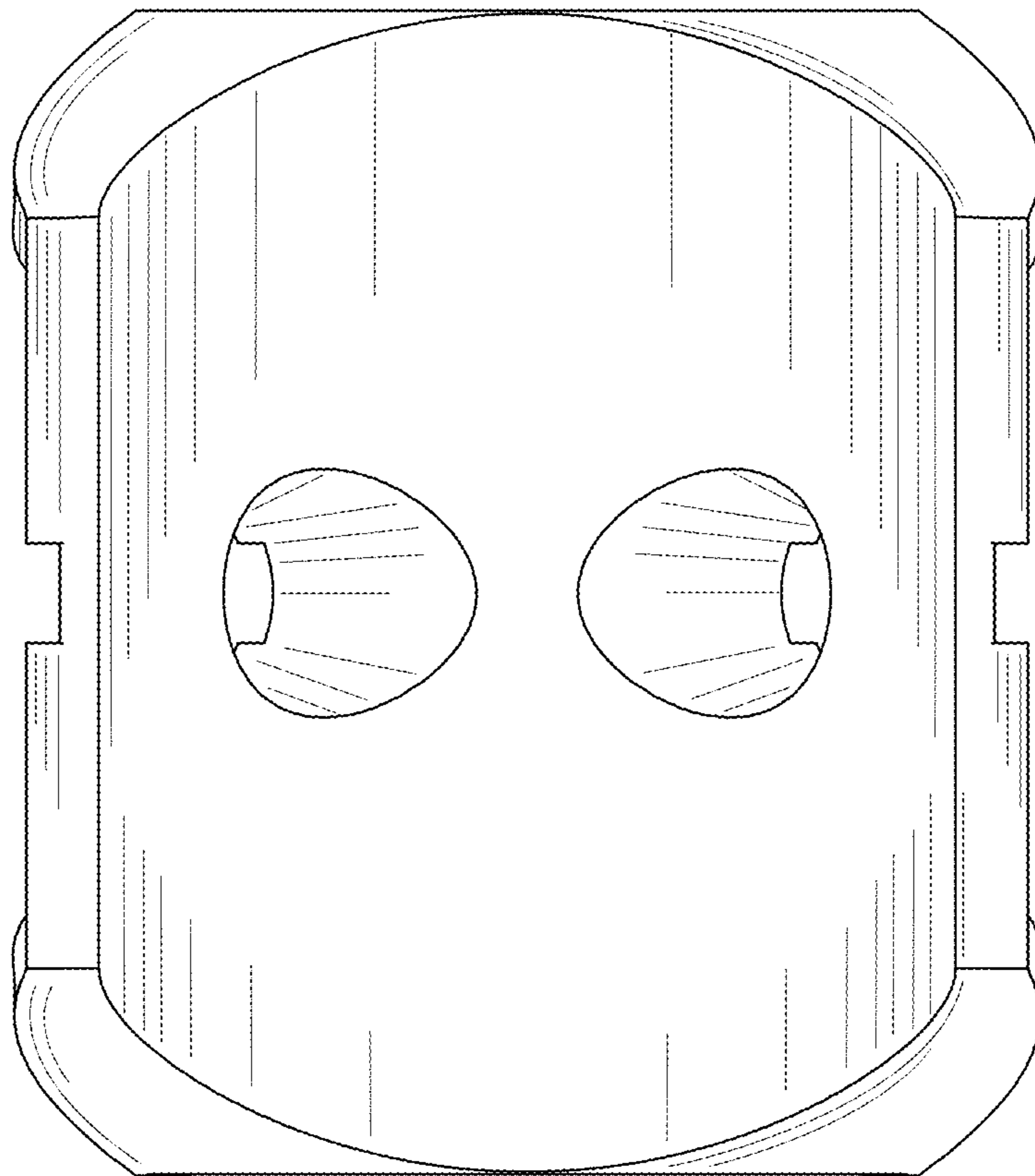


FIG. 6

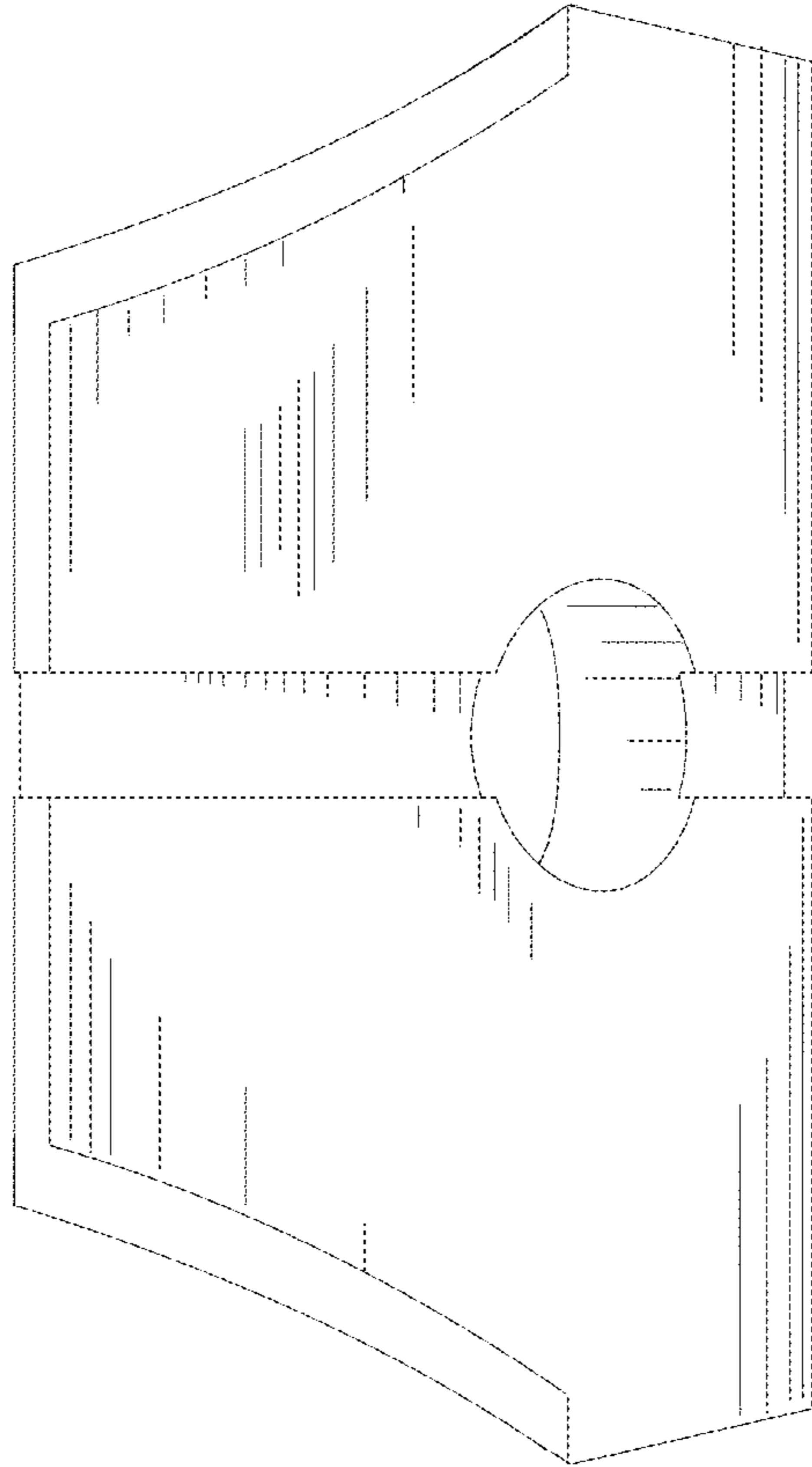


FIG. 7



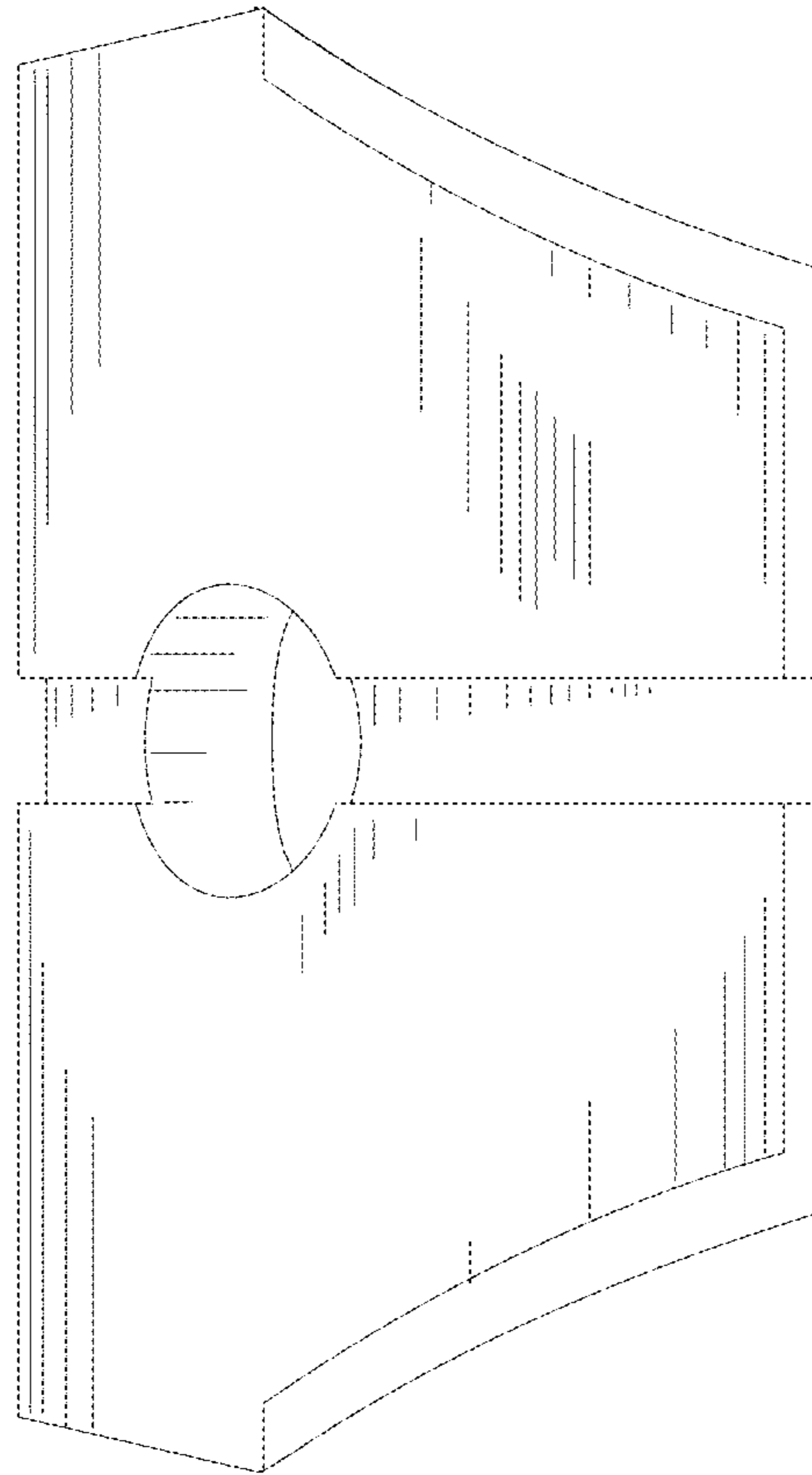


FIG. 8

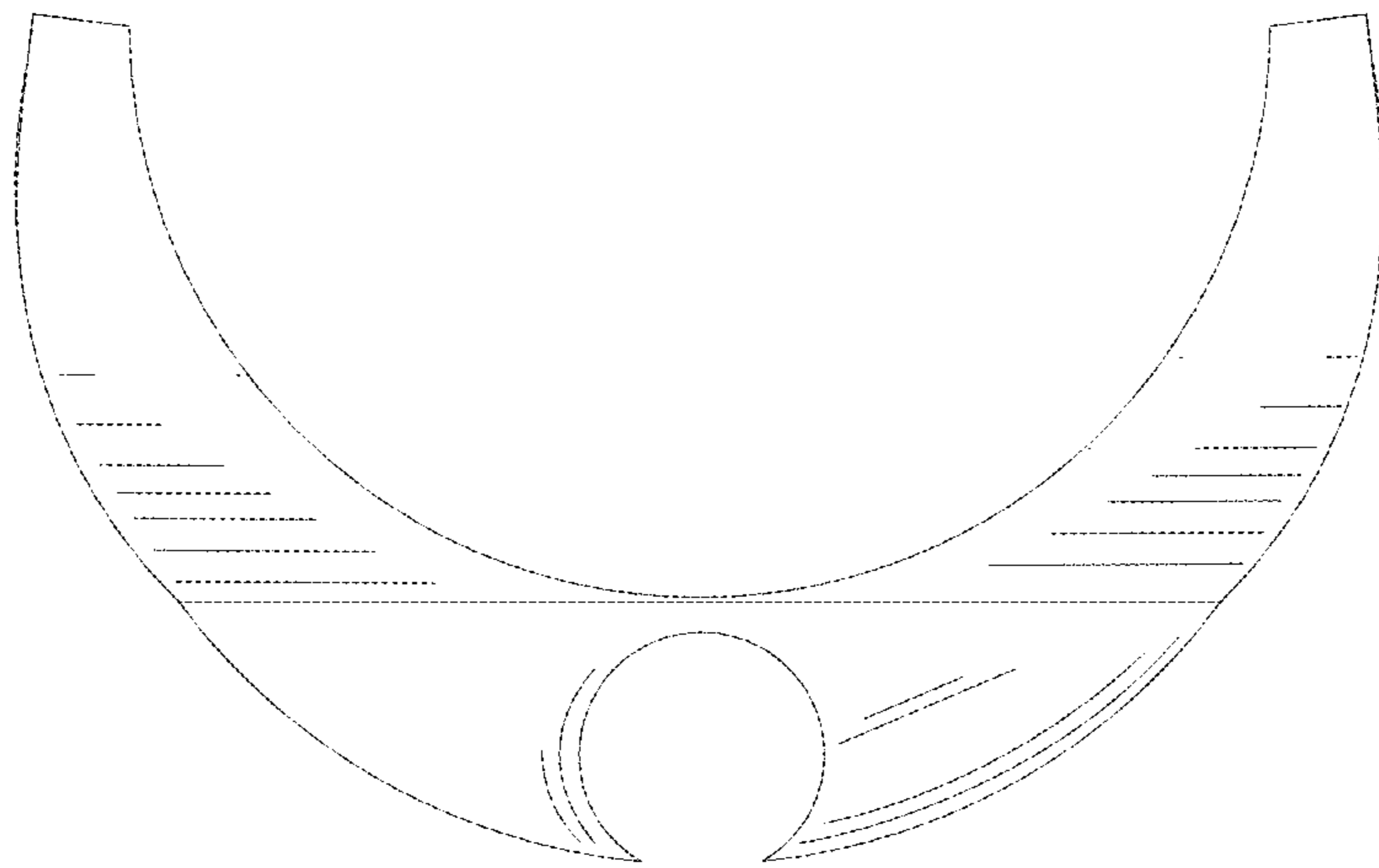


FIG. 9

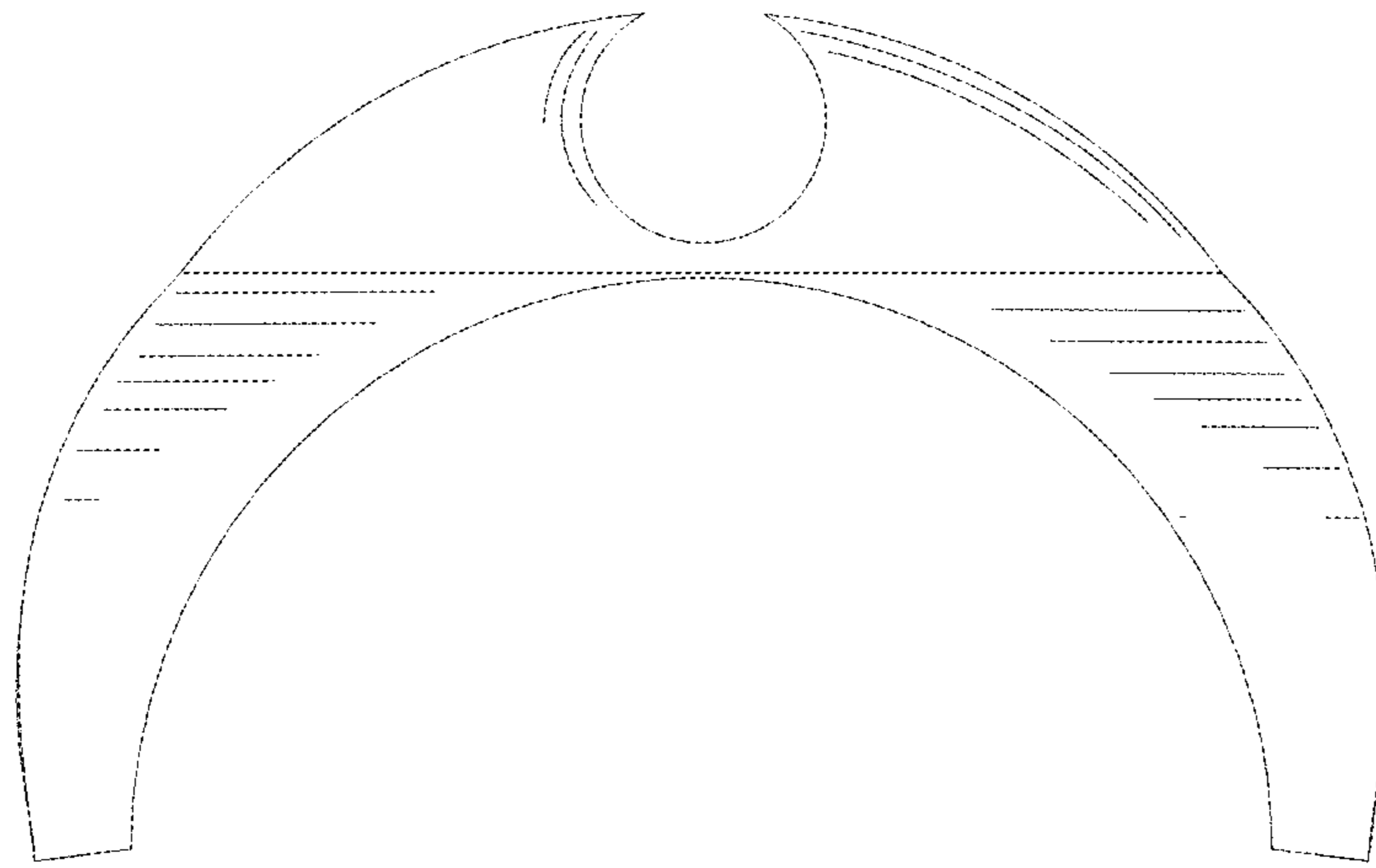


FIG. 10

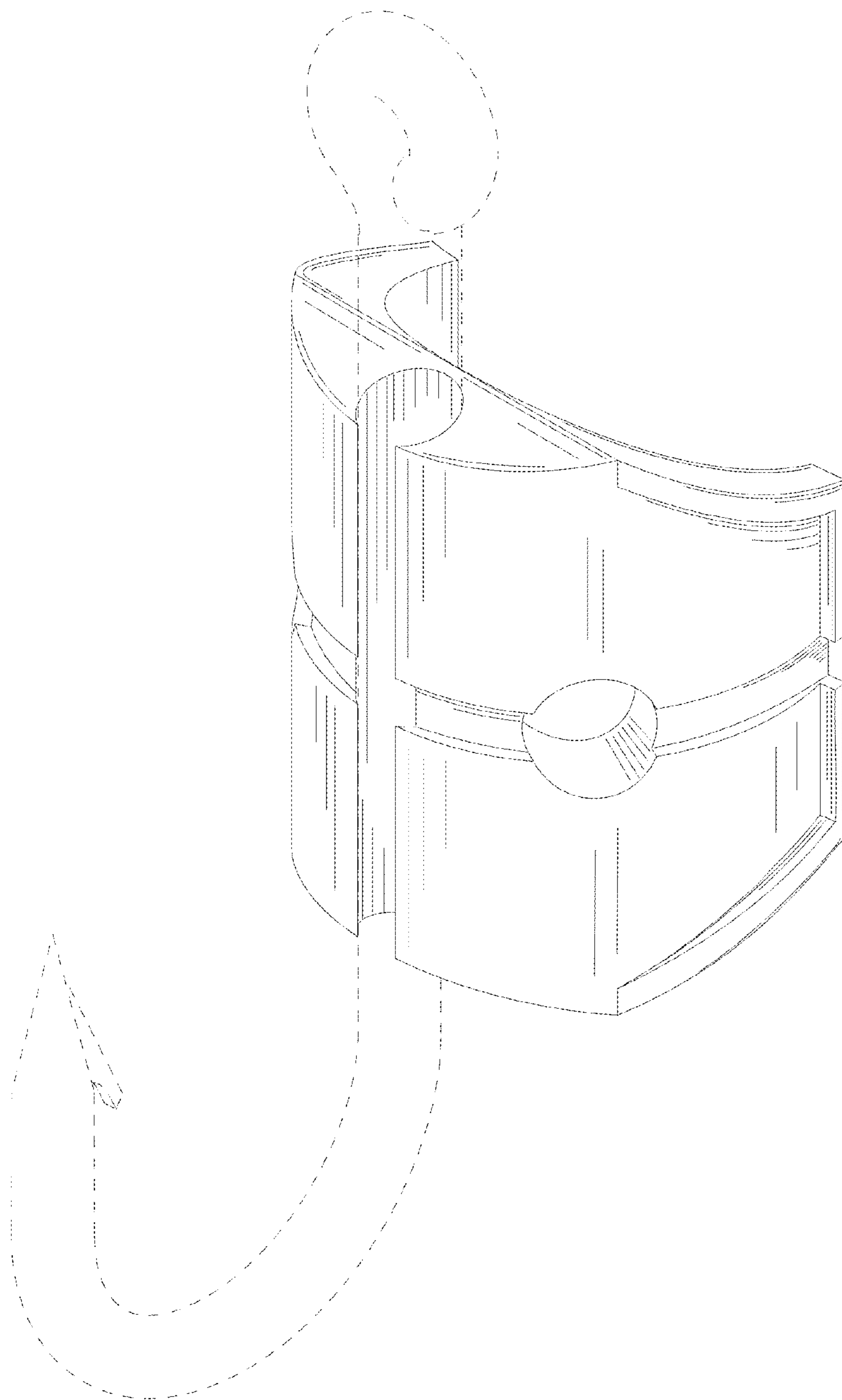


FIG. 11