



US00D755920S

(12) **United States Design Patent**
Kim

(10) **Patent No.:** **US D755,920 S**

(45) **Date of Patent:** **** May 10, 2016**

(54) **BOBBIN FOR FISHLINE**

(71) Applicant: **Il Han Kim**, Daegu (KR)

(72) Inventor: **Il Han Kim**, Daegu (KR)

(**) Term: **14 Years**

(21) Appl. No.: **29/497,960**

(22) Filed: **Jul. 30, 2014**

(51) **LOC (10) Cl.** **22-05**

(52) **U.S. Cl.**
USPC **D22/137**

(58) **Field of Classification Search**
USPC D22/137; 43/57.2; 206/315.11;
242/118.4, 322, 129

CPC . A01K 89/00; A01K 89/0111; A01K 89/015;
A01K 97/06; B65H 75/28

See application file for complete search history.

(56) **References Cited**

U.S. PATENT DOCUMENTS

- 2,124,512 A * 7/1938 Allen A01K 97/06
242/118.4
- 2,422,870 A * 6/1947 Willis A01K 97/06
206/315.11
- D167,562 S * 8/1952 Diebold D22/137

- 2,890,842 A * 6/1959 Rickard A01K 89/00
242/118.4
- 3,937,419 A * 2/1976 Bon A01K 89/00
242/118.4
- D296,812 S * 7/1988 Fabry D22/137
- D331,093 S * 11/1992 Kelly, Sr. D22/137
- D655,369 S * 3/2012 Hafner D22/137

* cited by examiner

Primary Examiner — Catheri Oliver-Garcia

(74) *Attorney, Agent, or Firm* — Cowan, Liebowitz & Latman, P.C.

(57) **CLAIM**

The ornamental design for a bobbin for fishline, as shown and described.

DESCRIPTION

FIG. 1 is a top perspective view of the bobbin for fishline showing my design thereof;

FIG. 2 is a front view thereof;

FIG. 3 is a rear view thereof;

FIG. 4 is a left side view thereof;

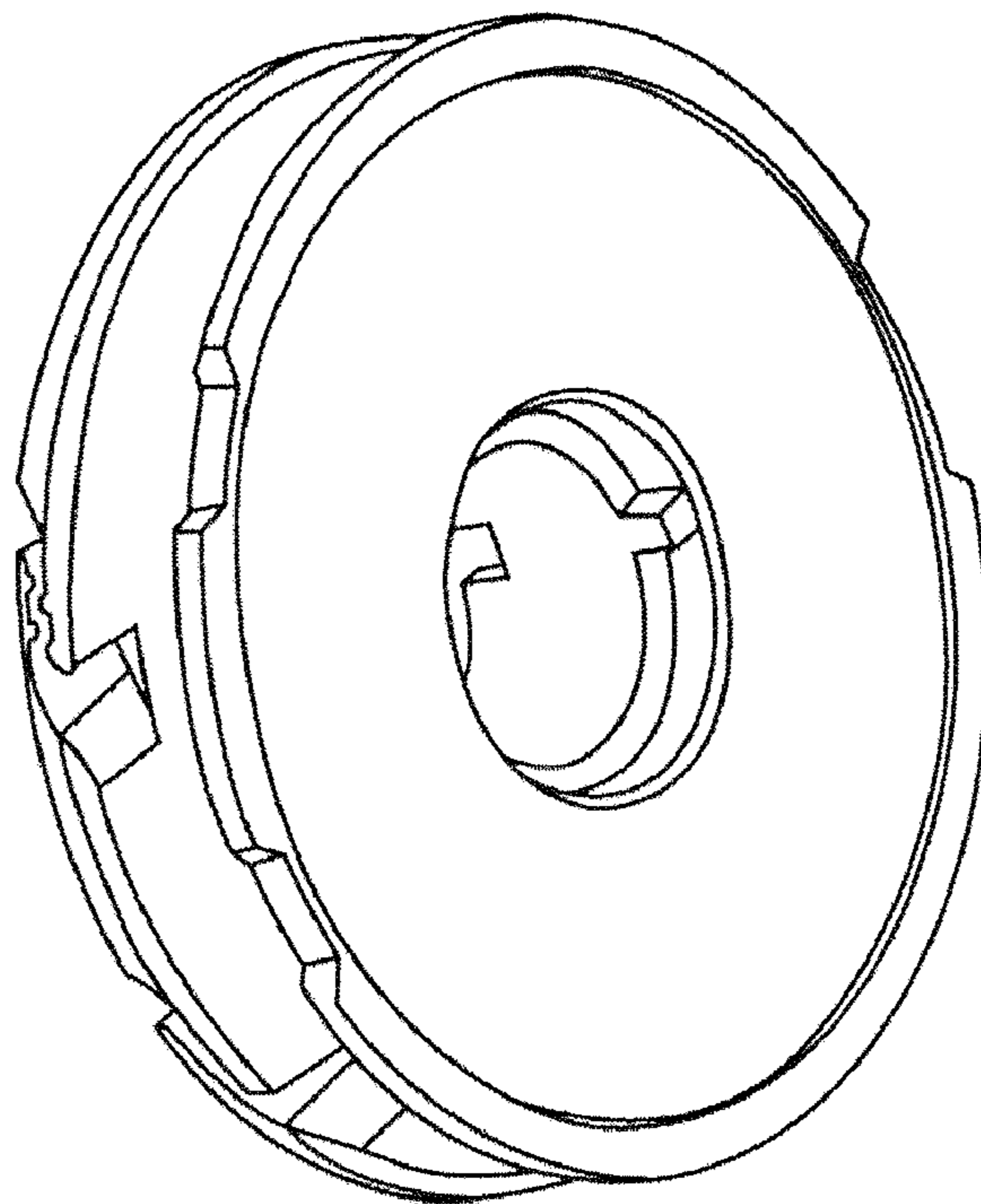
FIG. 5 is a right side view thereof;

FIG. 6 is a top view thereof;

FIG. 7 is a bottom view thereof; and,

FIG. 8 is a bottom perspective view thereof.

1 Claim, 4 Drawing Sheets



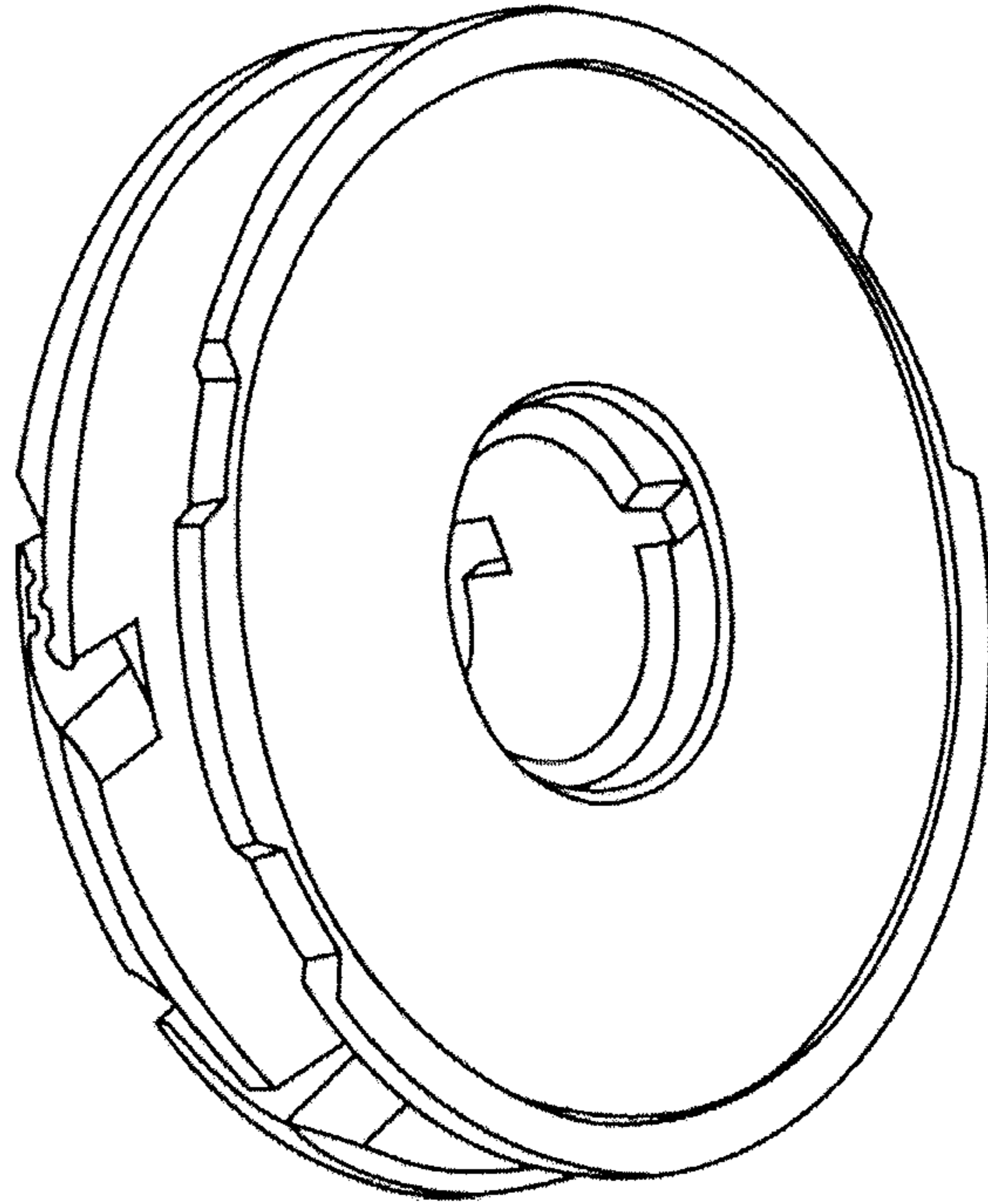


FIG. 1

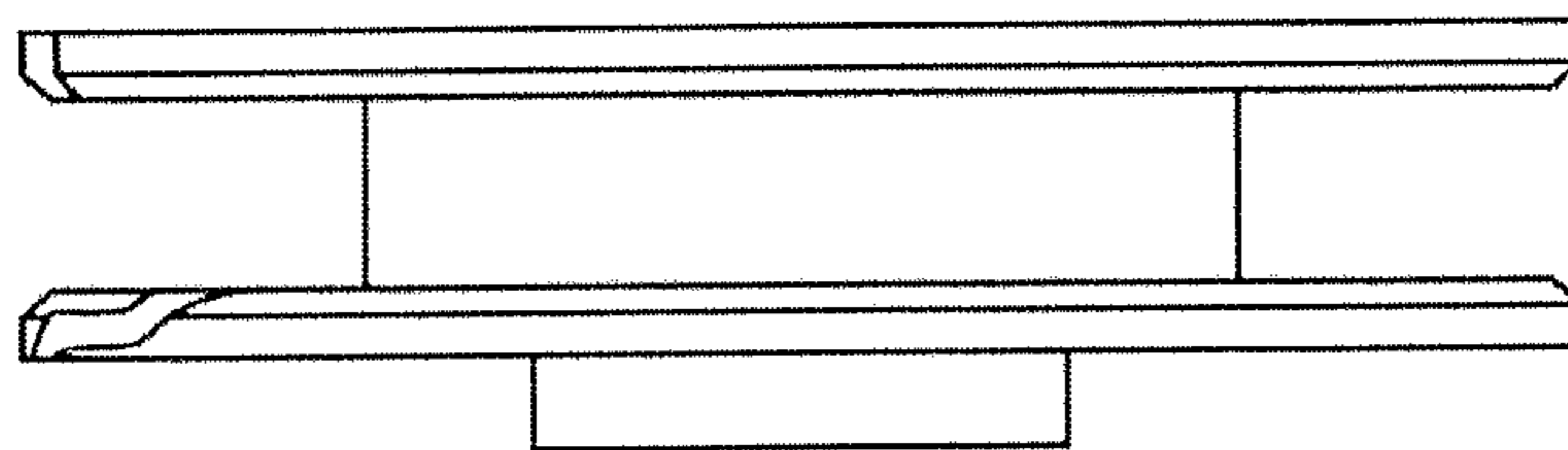


FIG. 2

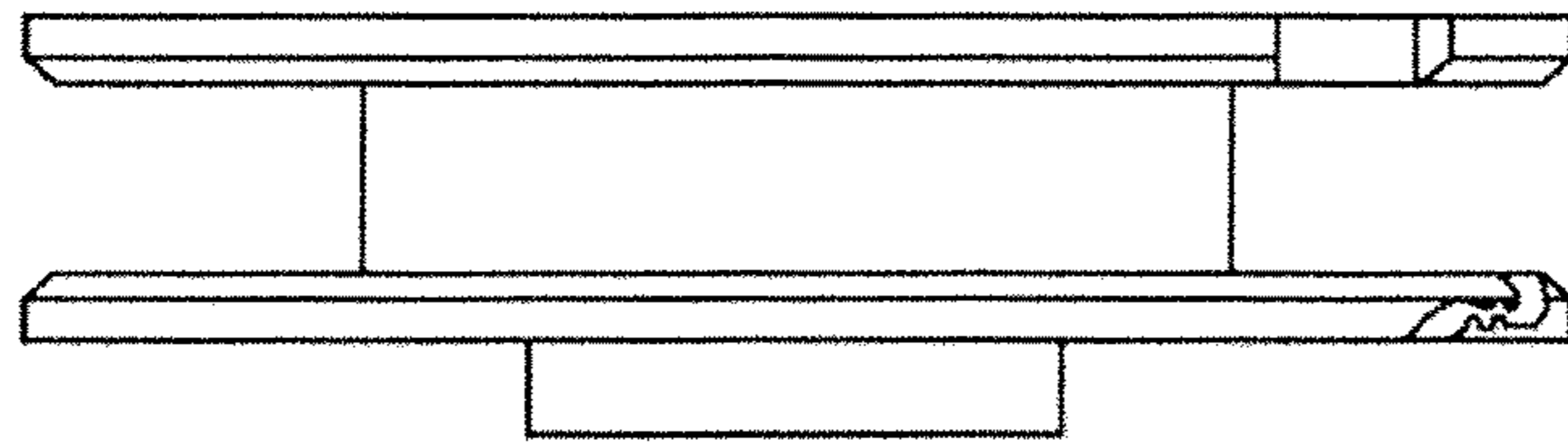


FIG. 3

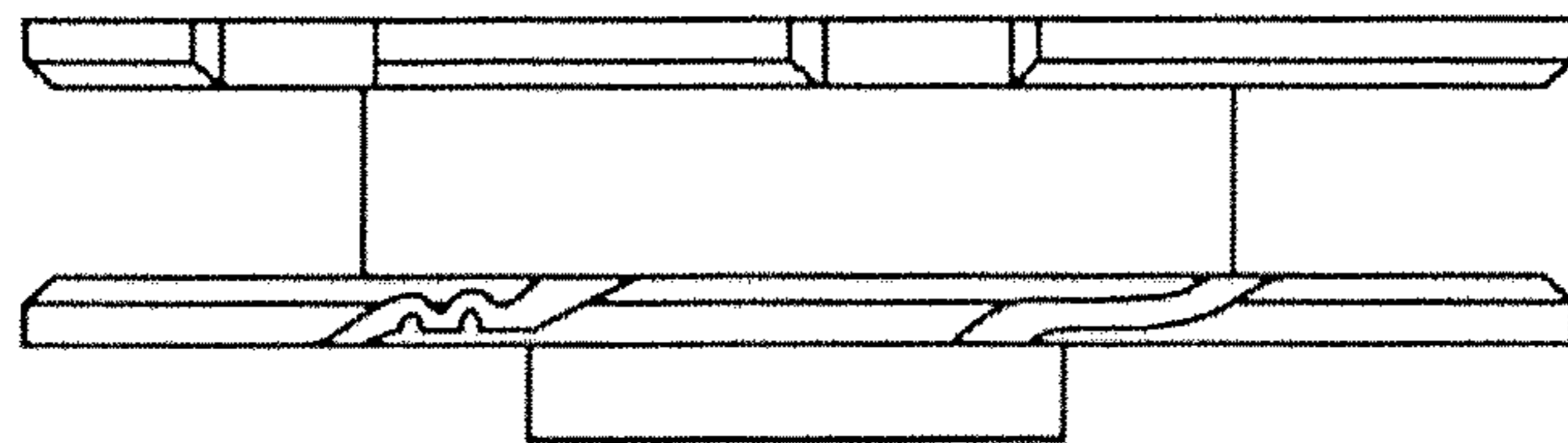


FIG. 4

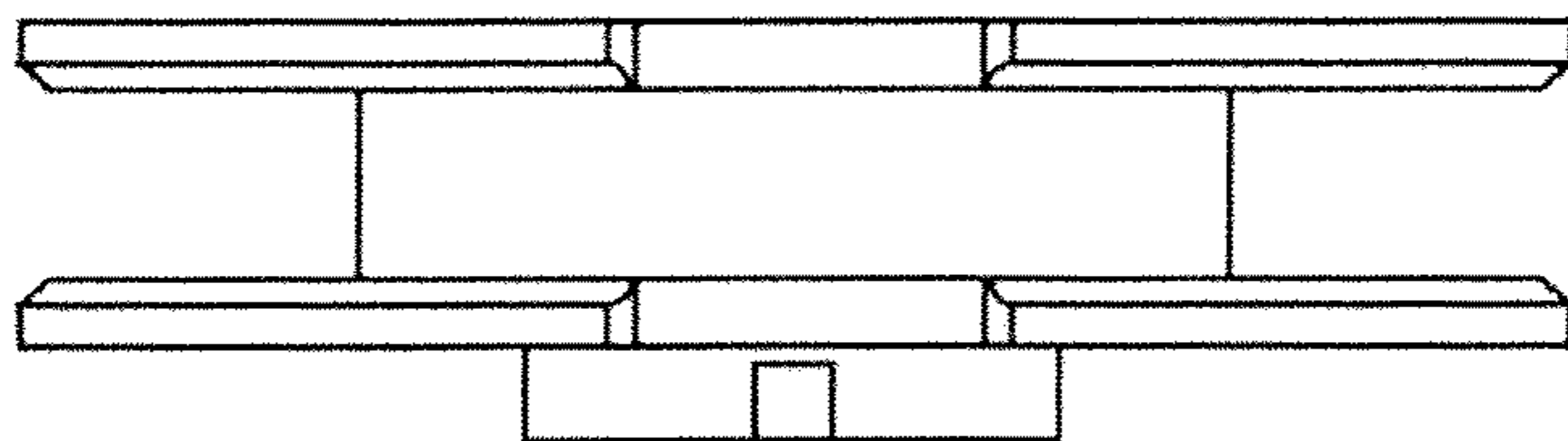


FIG. 5

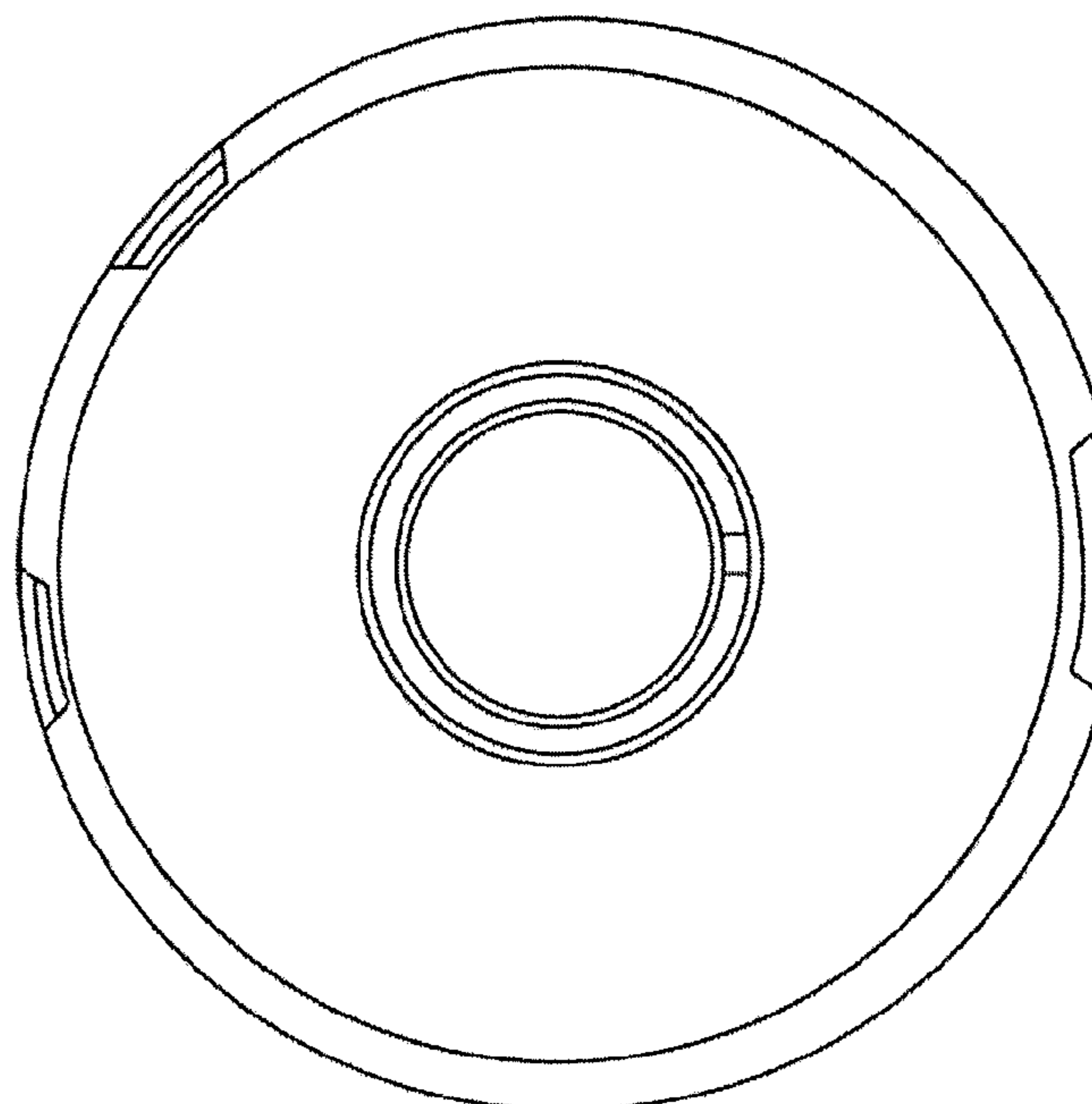


FIG. 6

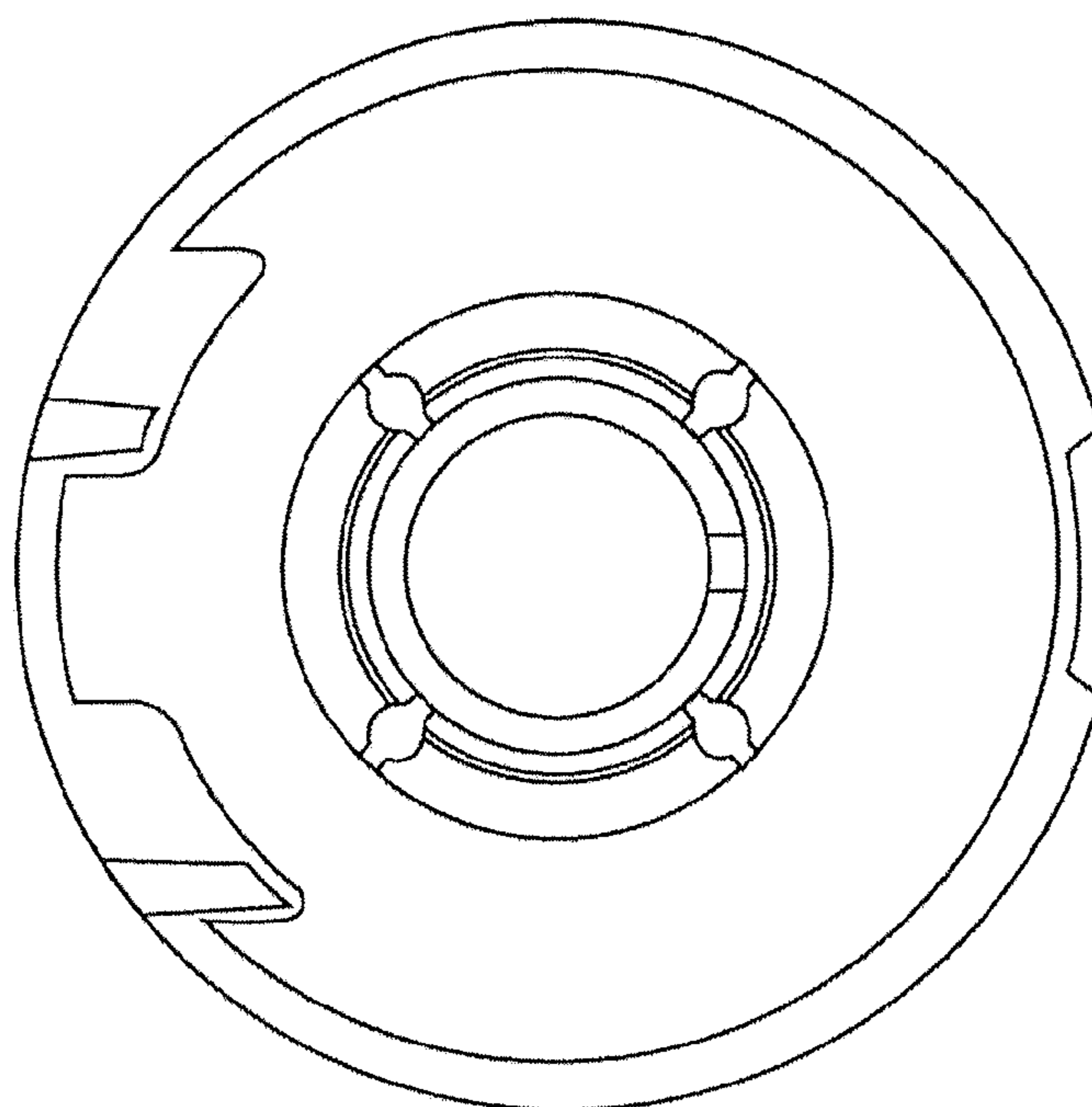


FIG. 7

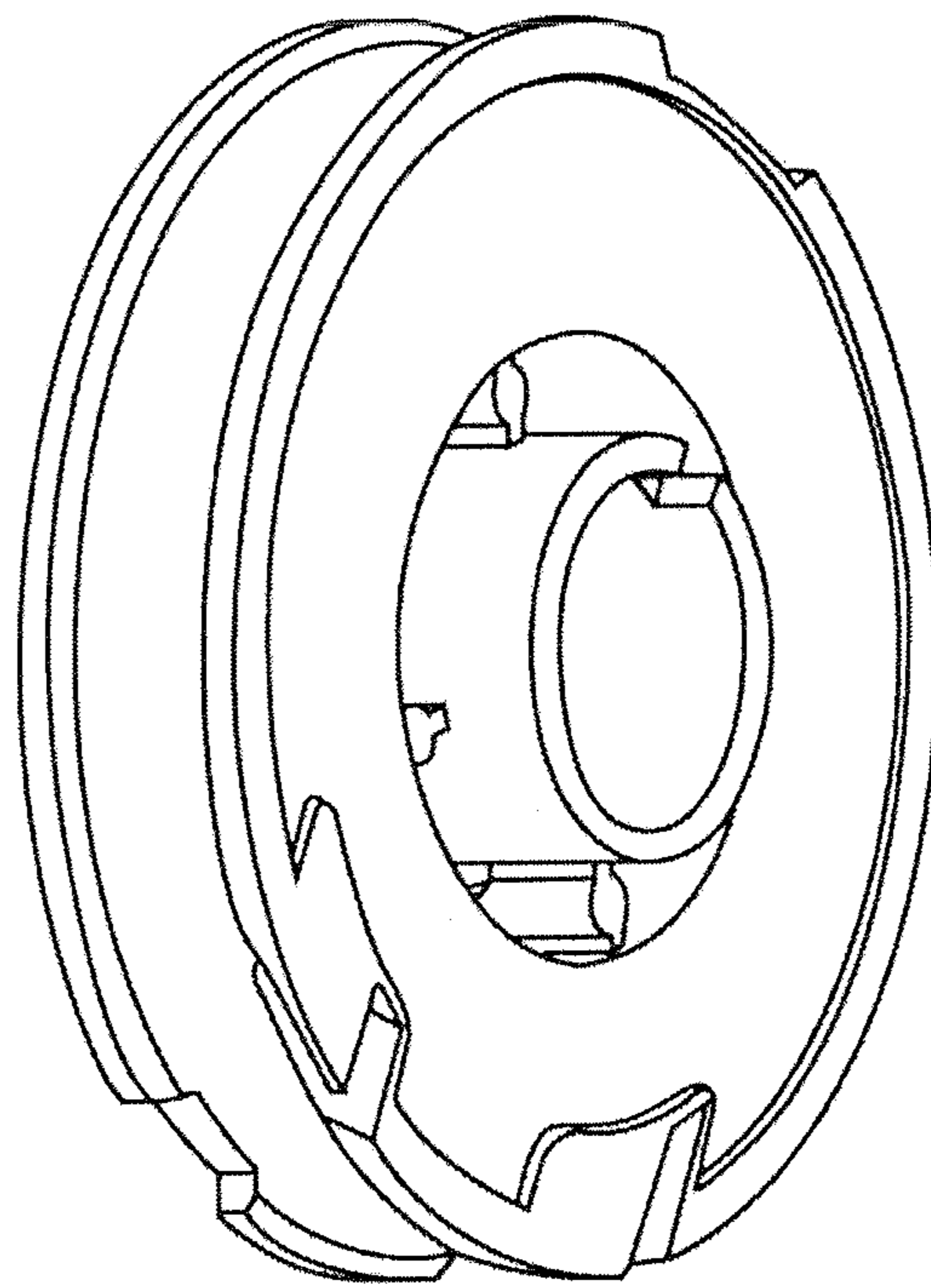


FIG. 8