



US00D755918S

(12) **United States Design Patent**
Schroeder

(10) **Patent No.:** **US D755,918 S**

(45) **Date of Patent:** **** May 10, 2016**

(54) **WATERFOWL DECOY**

(71) Applicant: **Larry D. Schroeder**, O'Fallon, MO
(US)

(72) Inventor: **Larry D. Schroeder**, O'Fallon, MO
(US)

(**) Term: **14 Years**

(21) Appl. No.: **29/497,406**

(22) Filed: **Jul. 24, 2014**

(51) **LOC (10) Cl.** **22-05**

(52) **U.S. Cl.**
USPC **D22/125**

(58) **Field of Classification Search**
USPC D22/125; 43/2-3; 135/65-66; 446/61;
231/6; D10/120
CPC A01M 31/06; A45B 3/00; A45B 9/02
See application file for complete search history.

(56) **References Cited**

U.S. PATENT DOCUMENTS

162,605	A *	4/1875	Bechler	A45B 3/00
					135/66
2,885,813	A *	5/1959	Kratzert	A01M 31/06
					43/3
D185,866	S	8/1959	Anderson		
3,029,541	A	4/1962	Palmer		
3,245,168	A	4/1966	Pool		
D240,405	S *	7/1976	Erhart	D10/120

D263,385	S	3/1982	Walker		
4,753,028	A	6/1988	Farmer		
D324,134	S *	2/1992	Williams	D3/15
D359,378	S	6/1995	Colarusso		
5,572,823	A	11/1996	Savaria		
5,595,012	A	1/1997	Coleman		
6,092,323	A	7/2000	McBride		
6,374,530	B1	4/2002	Mierea		
D482,752	S	11/2003	Alexander		
D560,266	S *	1/2008	Hardison	D22/125
7,481,017	B1	1/2009	Bocchi		
8,087,199	B2	1/2012	Roe		
8,191,304	B2	6/2012	Poorman		
2010/0115818	A1	5/2010	Rogers		
2013/0036651	A1	2/2013	Johns		

* cited by examiner

Primary Examiner — Catheri Oliver-Garcia
(74) *Attorney, Agent, or Firm* — CreatiVenture Law, LLC;
Dennis J M Donahue, III

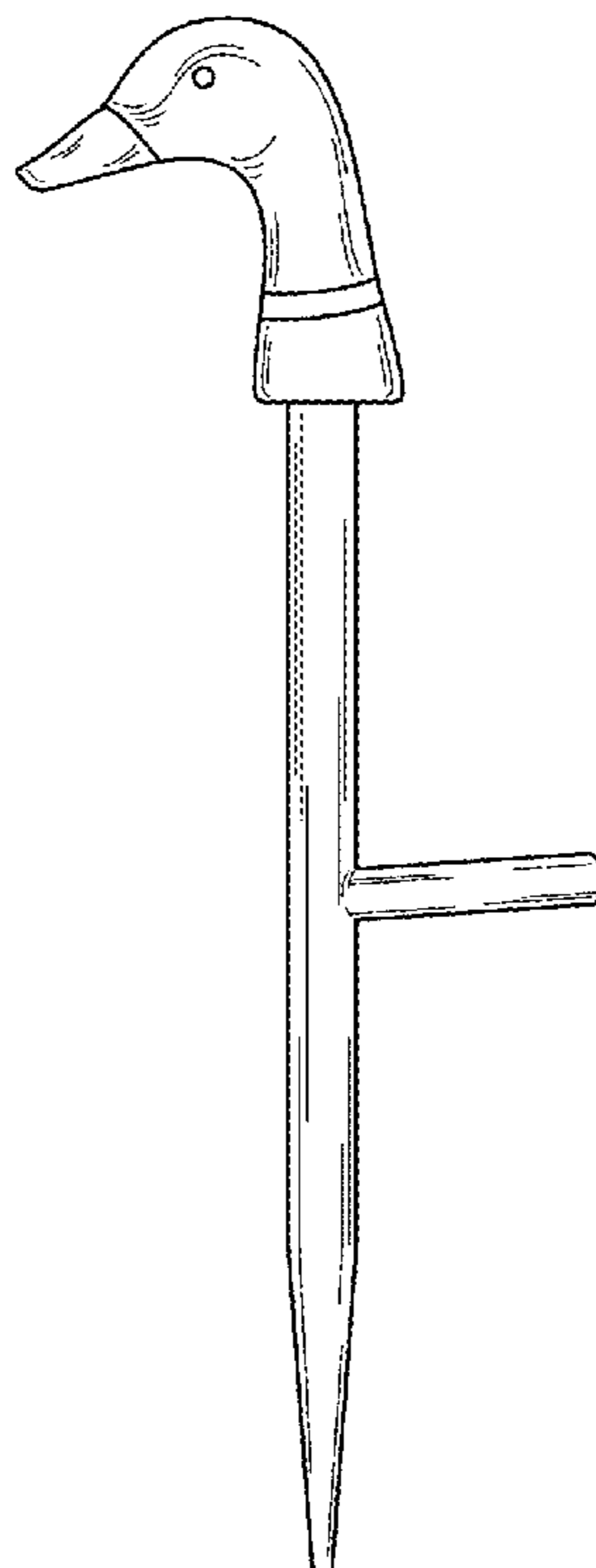
(57) **CLAIM**

The ornamental design for a waterfowl decoy, as shown and described.

DESCRIPTION

FIG. 1 is a right side view of a waterfowl decoy.
FIG. 2 is a front perspective view of the waterfowl decoy.
FIG. 3 is a rear perspective view of the waterfowl decoy.
FIG. 4 is a top view of the waterfowl decoy; and,
FIG. 5 is a bottom view of the waterfowl decoy.
The left side view of the waterfowl decoy mirrors the right side view.

1 Claim, 1 Drawing Sheet



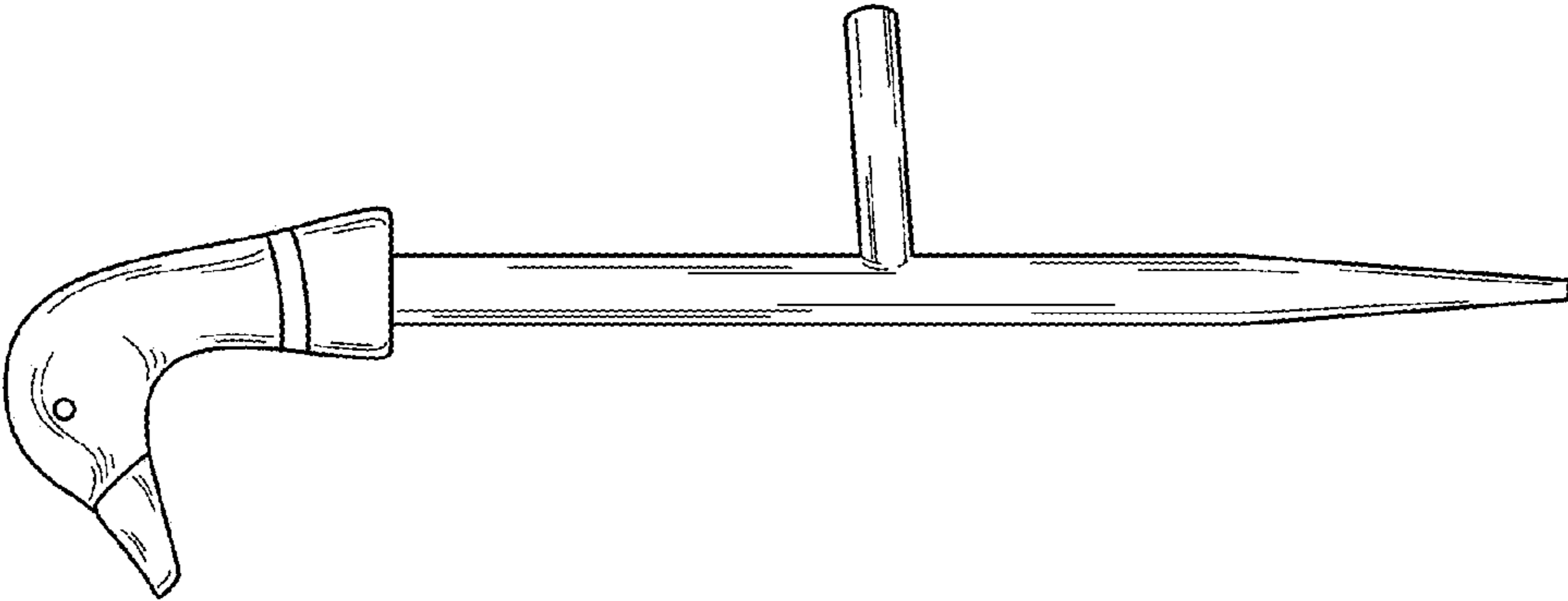


FIG. 1

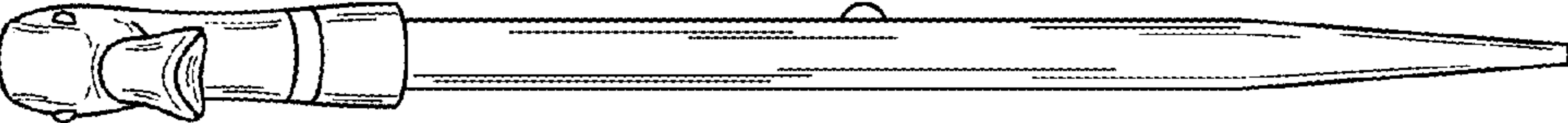


FIG. 2

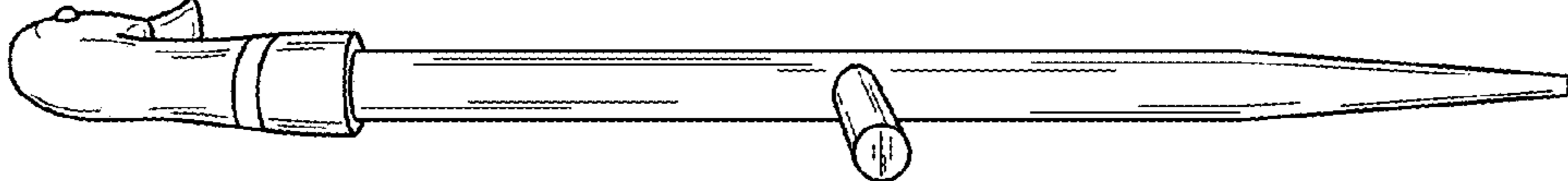


FIG. 3



FIG. 4



FIG. 5