



US00D755917S

(12) **United States Design Patent**  
**Griffin**

(10) **Patent No.:** **US D755,917 S**  
(45) **Date of Patent:** **\*\* May 10, 2016**

(54) **SELF DEFENSE PROTECTION DEVICE**

(71) Applicant: **William Michael Griffin**, St. Petersburg, FL (US)

(72) Inventor: **William Michael Griffin**, St. Petersburg, FL (US)

(73) Assignees: **William Michael Griffin**, Largo, FL (US); **Andrew Kroll**, West Palm Beach, FL (US)

(\*\*) Term: **14 Years**

(21) Appl. No.: **29/513,236**

(22) Filed: **Dec. 29, 2014**

(51) **LOC (10) Cl.** ..... **22-02**

(52) **U.S. Cl.**  
USPC ..... **D22/117**

(58) **Field of Classification Search**

USPC ..... D22/117; D9/666, 680; 30/122  
CPC .... A44C 9/0053; B27B 17/0016; F41B 15/00  
See application file for complete search history.

(56) **References Cited**

**U.S. PATENT DOCUMENTS**

309,426 A \* 12/1884 Wickersham ..... B27B 17/0016  
63/15

3,995,447 A \* 12/1976 Levsunov ..... A44C 9/0053  
463/47.2

4,498,669 A \* 2/1985 Chun ..... F41B 15/00  
463/47.2

D308,021 S \* 5/1990 Natori ..... D9/666

\* cited by examiner

*Primary Examiner* — Catheri Oliver-Garcia

(57) **CLAIM**

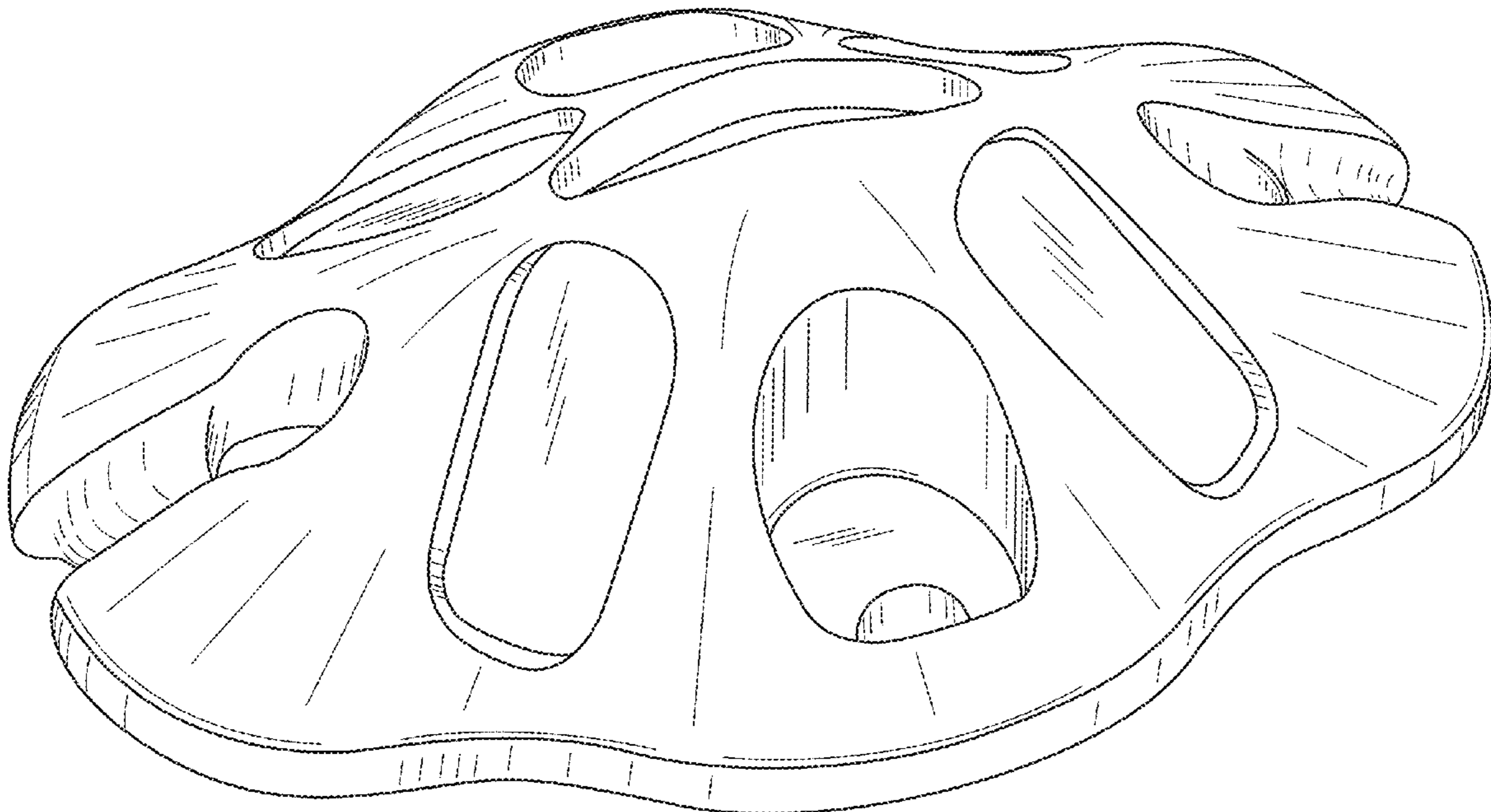
The ornamental design for a self defense protection device, as shown and described.

**DESCRIPTION**

FIG. 1 is a top perspective view of the self defense protection device showing my new design;  
FIG. 2 is a bottom perspective view thereof;  
FIG. 3 is a front elevational view thereof;  
FIG. 4 is a rear elevational view thereof;  
FIG. 5 is a left side elevational view thereof;  
FIG. 6 is a right side elevational view thereof;  
FIG. 7 is a top plan view thereof;  
FIG. 8 is a bottom plan view thereof; and,  
FIG. 9 is an view showing the self defense protection device worn on a hand.

The broken line showing depicts environmental structure and is included for the purpose of illustrating only and forms no part of the claimed design.

**1 Claim, 9 Drawing Sheets**



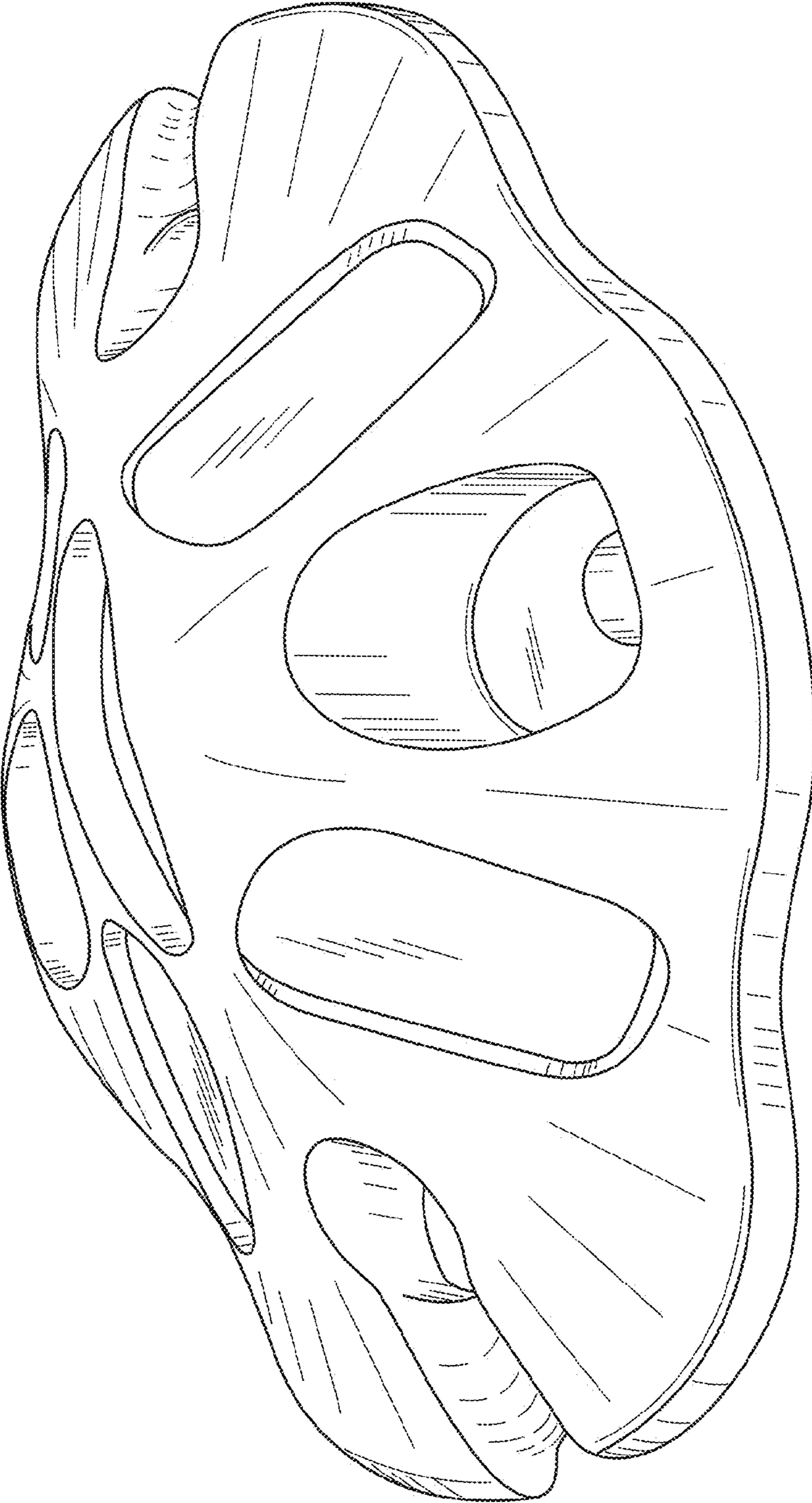


FIG. 1

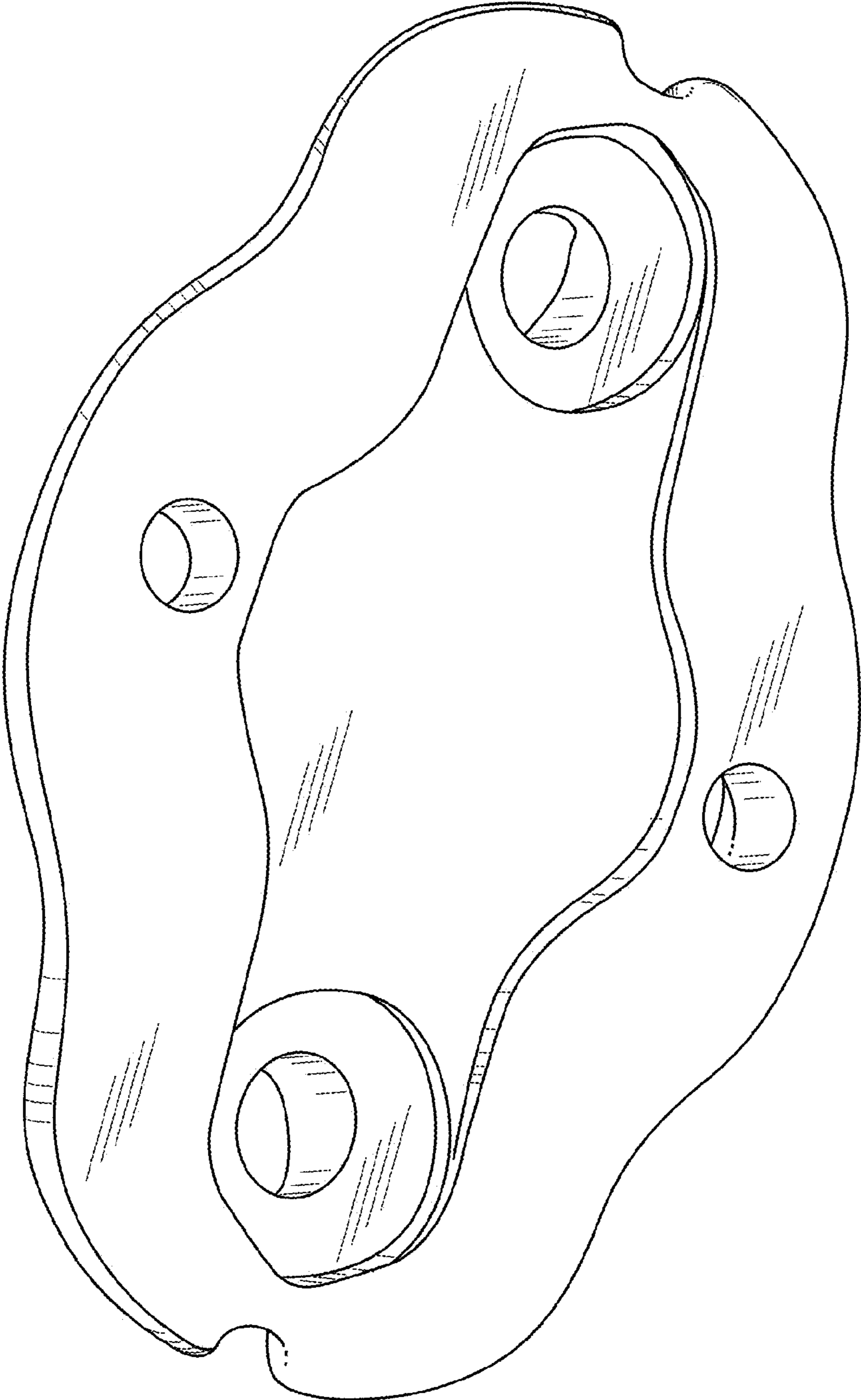


FIG. 2

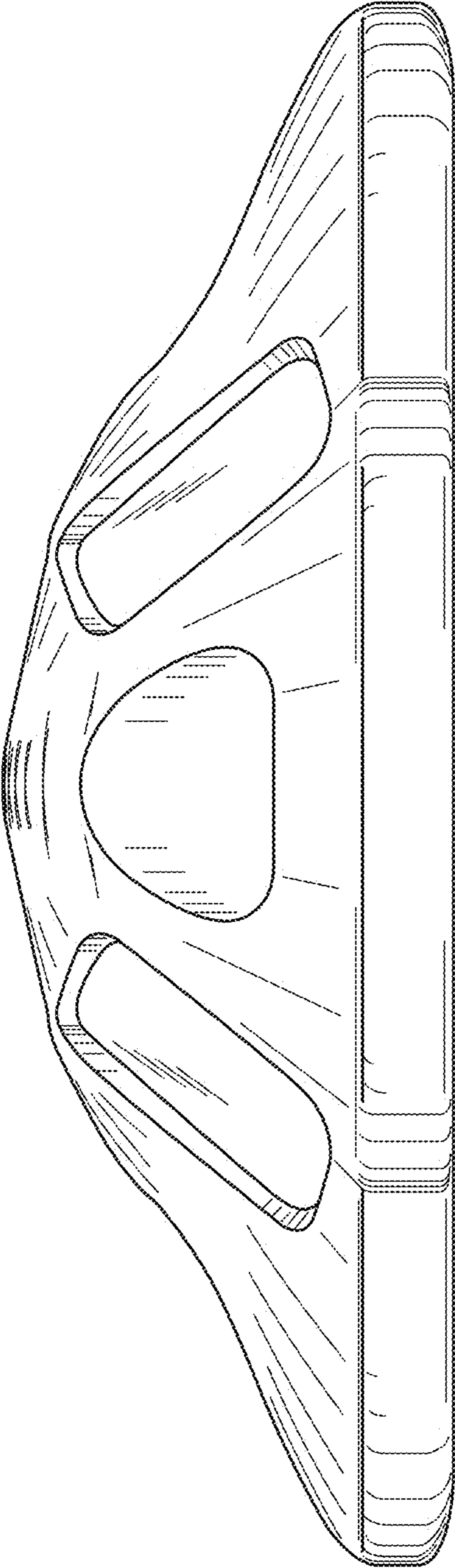


FIG. 3

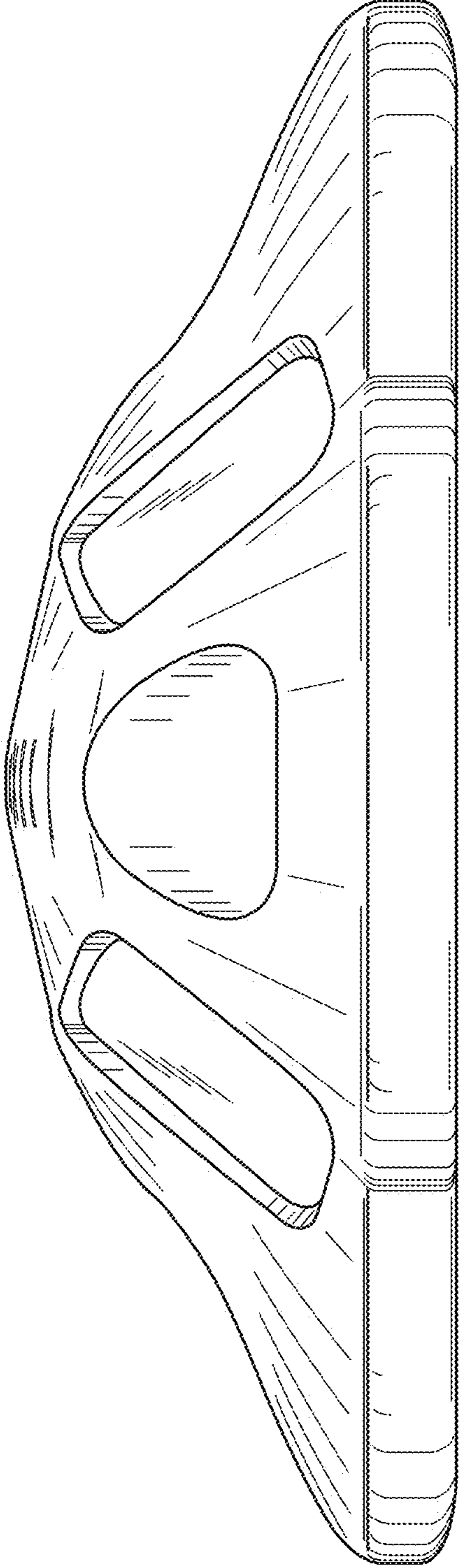


FIG. 4

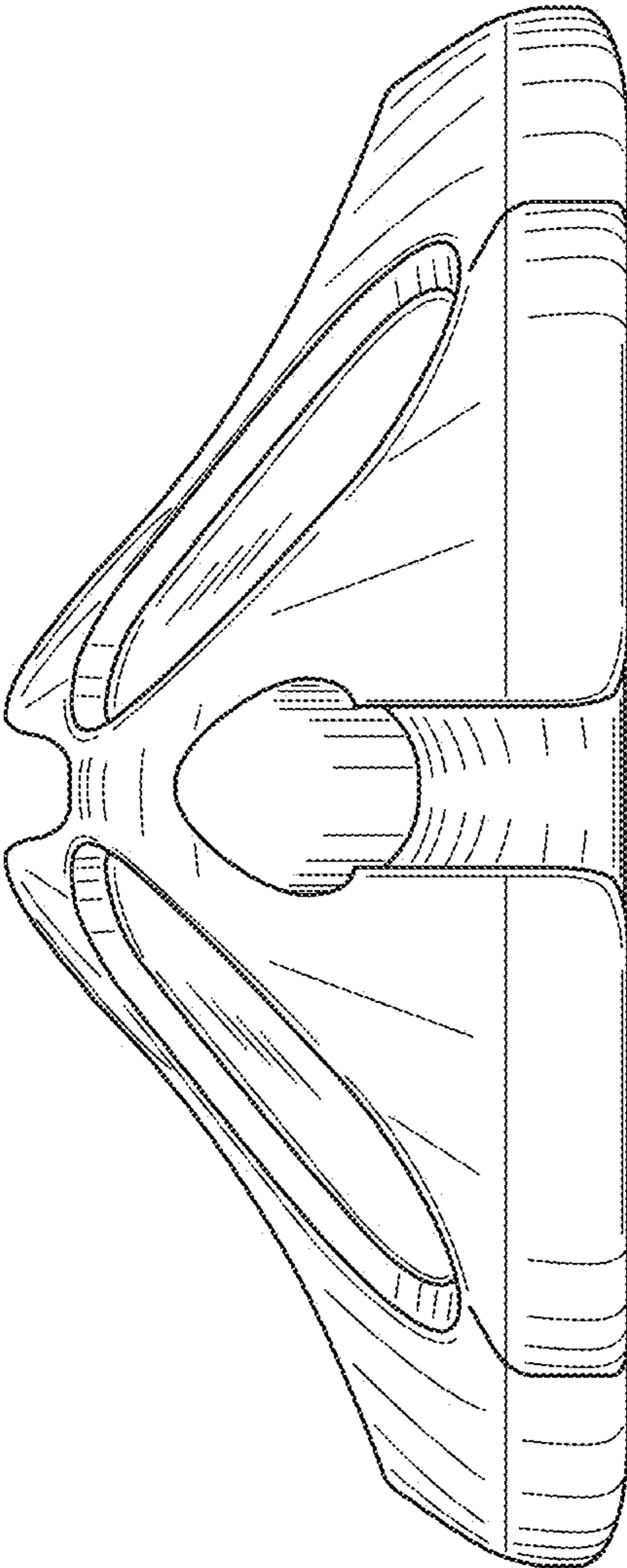


FIG. 5

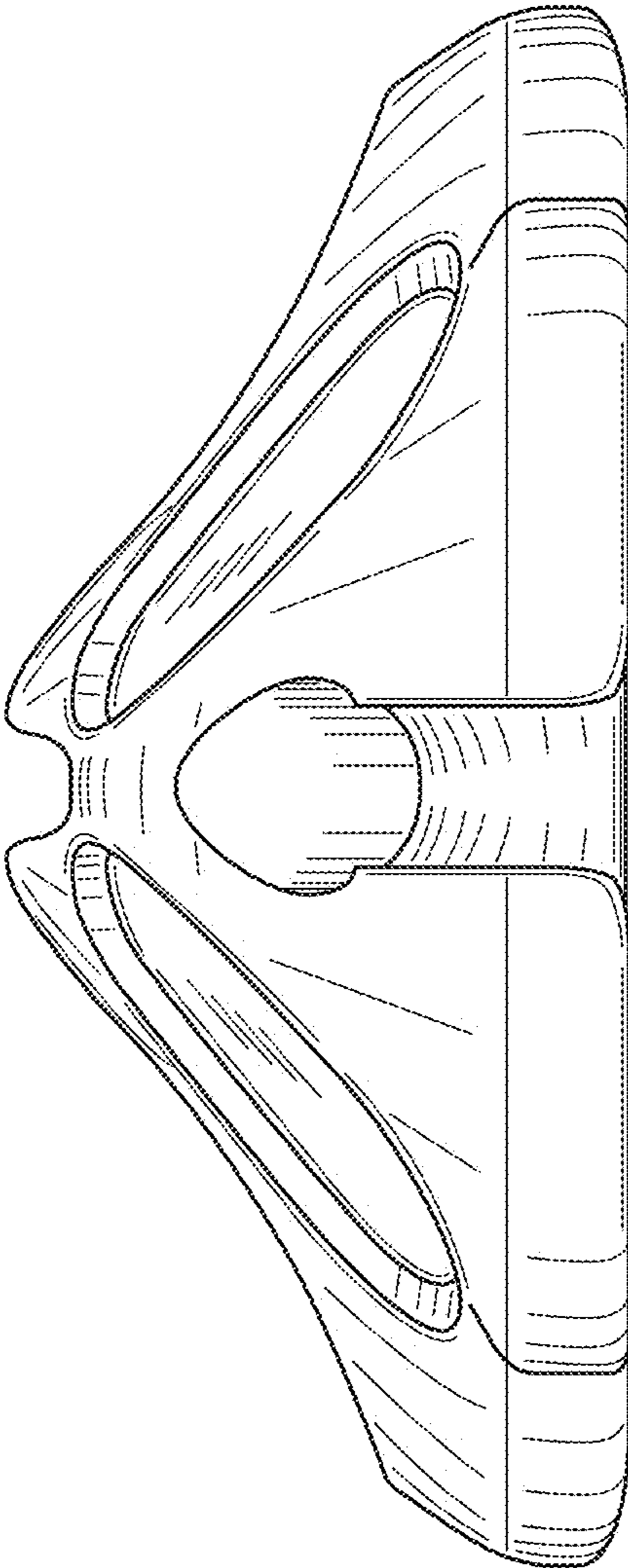


FIG. 6

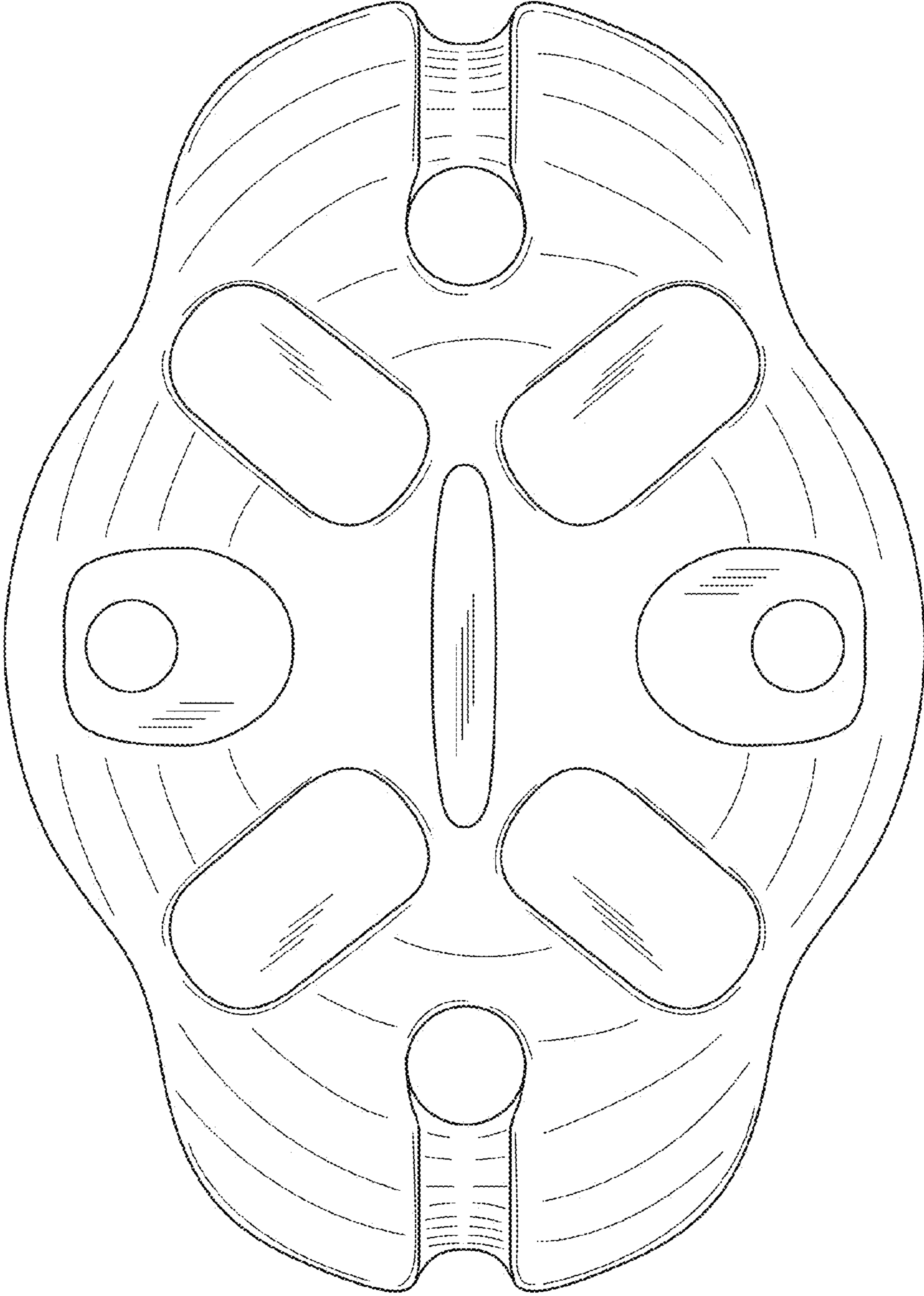


FIG. 7



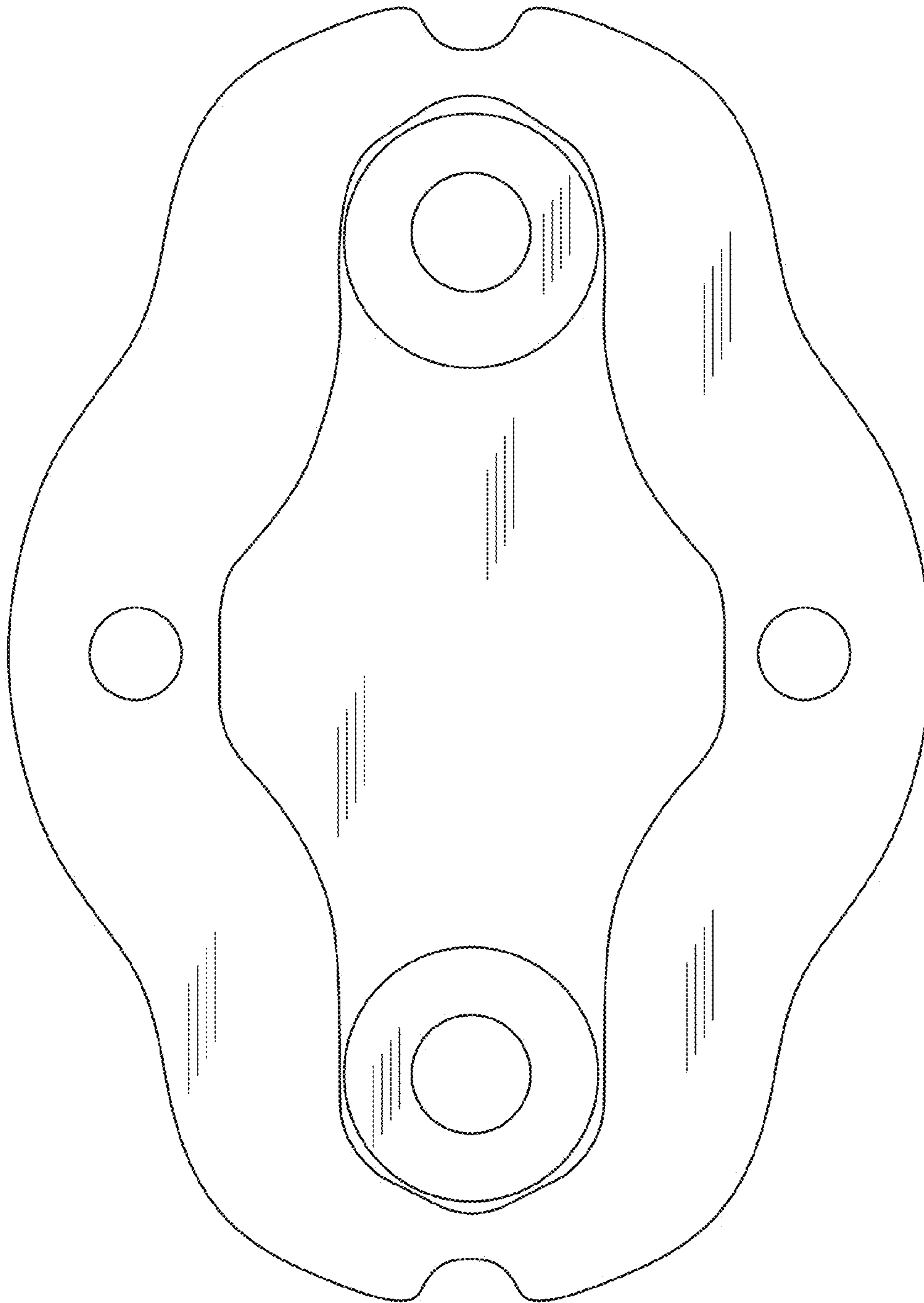


FIG. 8

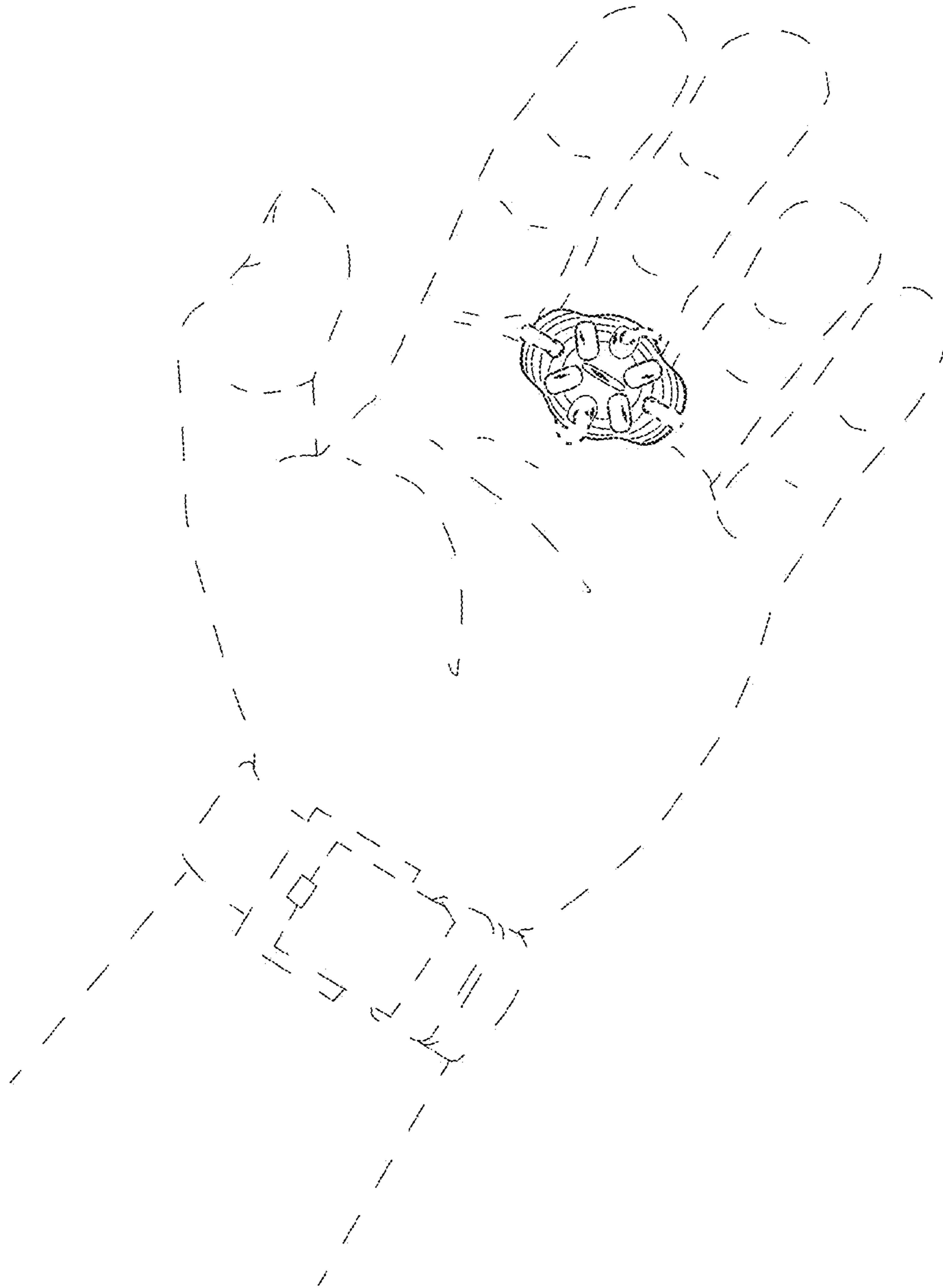


FIG. 9