



US00D755916S

(12) **United States Design Patent**
O'Sullivan

(10) **Patent No.:** **US D755,916 S**
(45) **Date of Patent:** **** May 10, 2016**

(54) **CARTRIDGE CASING FOR LONG RANGE SUPERSONIC SPORTING CARTRIDGE WITH OVERSIZE PRIMER**

(71) Applicant: **Libert O'Sullivan**, Midland, TX (US)

(72) Inventor: **Libert O'Sullivan**, Midland, TX (US)

(**) Term: **14 Years**

(21) Appl. No.: **29/511,599**

(22) Filed: **Dec. 11, 2014**

(51) **LOC (10) Cl.** **22-16**

(52) **U.S. Cl.**
USPC **D22/115**

(58) **Field of Classification Search**
USPC D22/115-116
CPC F42B 30/02; F42B 5/02; F42B 5/26;
F42B 12/34; F42B 8/04; F42B 10/22; F42B
8/14; F41A 9/83; F41A 9/82; F41A 9/01;
F41A 9/09; F41A 9/86

See application file for complete search history.

(56) **References Cited**

U.S. PATENT DOCUMENTS

405,690	A *	6/1889	Ball	F42B 14/064 102/520
726,291	A *	4/1903	Holmblad	F42B 12/06 102/517
2,264,266	A *	11/1941	Jacobs	F42B 5/28 102/468
3,099,958	A *	8/1963	Daubenspeck	F42B 5/307 102/449
3,498,221	A *	3/1970	Hilton	B21C 23/01 102/464
4,682,545	A *	7/1987	Jett, Jr.	F42B 5/36 102/430
4,688,465	A *	8/1987	Melhus	F42B 33/025 102/430
4,809,612	A *	3/1989	Ballreich	B29C 71/04 102/444
5,151,555	A *	9/1992	Vatsvog	F42B 5/307 86/10
5,435,223	A *	7/1995	Blodgett	F42B 33/04 86/38

6,293,203	B1 *	9/2001	Alexander	F42B 5/025 102/430
7,086,336	B2 *	8/2006	Smalley, Jr.	F41A 21/12 102/430
9,212,859	B1 *	12/2015	Tal	F41A 9/83
2004/0000250	A1 *	1/2004	Stratum	F42B 5/02 102/441
2005/0188879	A1 *	9/2005	Wiley	F42B 5/025 102/430
2006/0248773	A1 *	11/2006	Kightlinger	F42B 5/025 42/77
2009/0178585	A1 *	7/2009	Harrison	F42B 30/02 102/380
2015/0241183	A1 *	8/2015	Padgett	F42B 5/025 102/466
2015/0377573	A1 *	12/2015	Niccum	F41A 9/83 42/87

* cited by examiner

Primary Examiner — Michael A Pratt

(74) *Attorney, Agent, or Firm* — William Lovin & Assoc., LLC; William R. Lovin

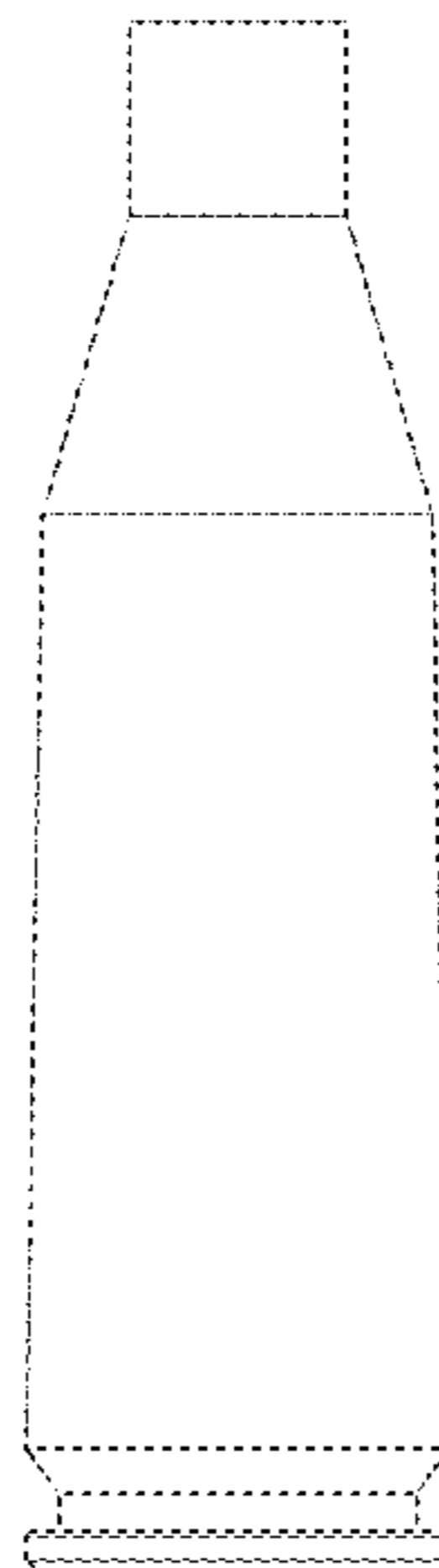
(57) **CLAIM**

The ornamental design for a cartridge casing for long range supersonic sporting cartridge with oversize primer, as shown in the accompanying drawings.

DESCRIPTION

FIG. 1 is an elevation view of a cartridge casing for long range supersonic sporting cartridge with oversize primer.
FIG. 2 is top plan view of a cartridge casing for long range supersonic sporting cartridge with oversize primer.
FIG. 3 is a bottom plan view of a cartridge casing for long range supersonic sporting cartridge with oversize primer.
FIG. 4 is a right-side oblique view of a cartridge casing for long range supersonic sporting cartridge with oversize primer showing the top.
FIG. 5 is a left-side oblique view of a cartridge casing for long range supersonic sporting cartridge with oversize primer showing the bottom.
FIG. 6 is a front oblique view of a cartridge casing for long range supersonic sporting cartridge with oversize primer showing the top; and,
FIG. 7 is a front oblique view of a cartridge casing for long range supersonic sporting cartridge with oversize primer showing the bottom.

1 Claim, 3 Drawing Sheets



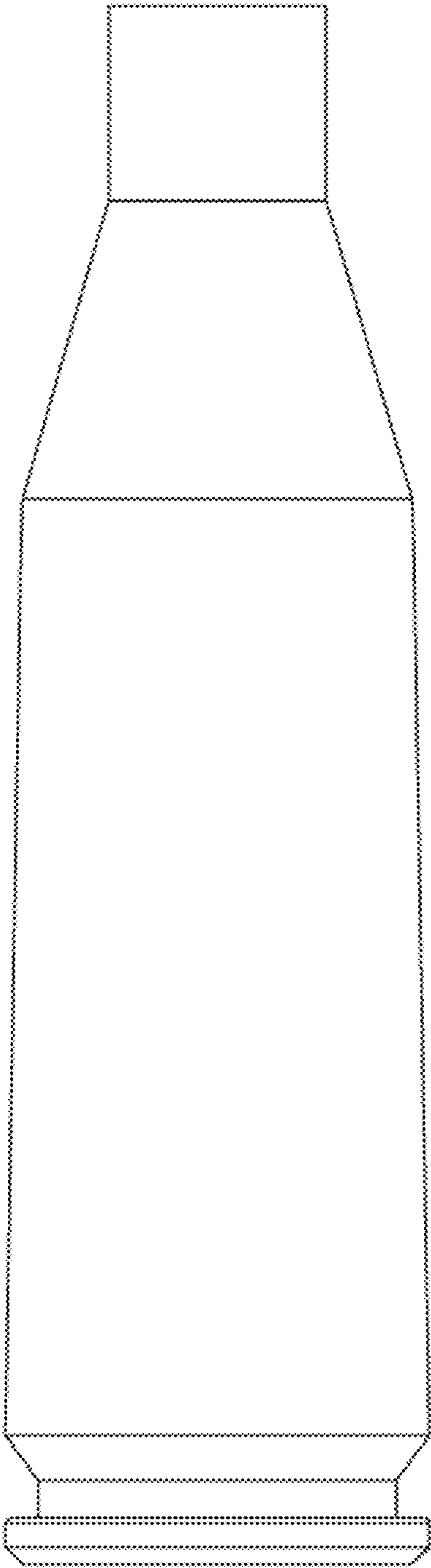


Fig. 1

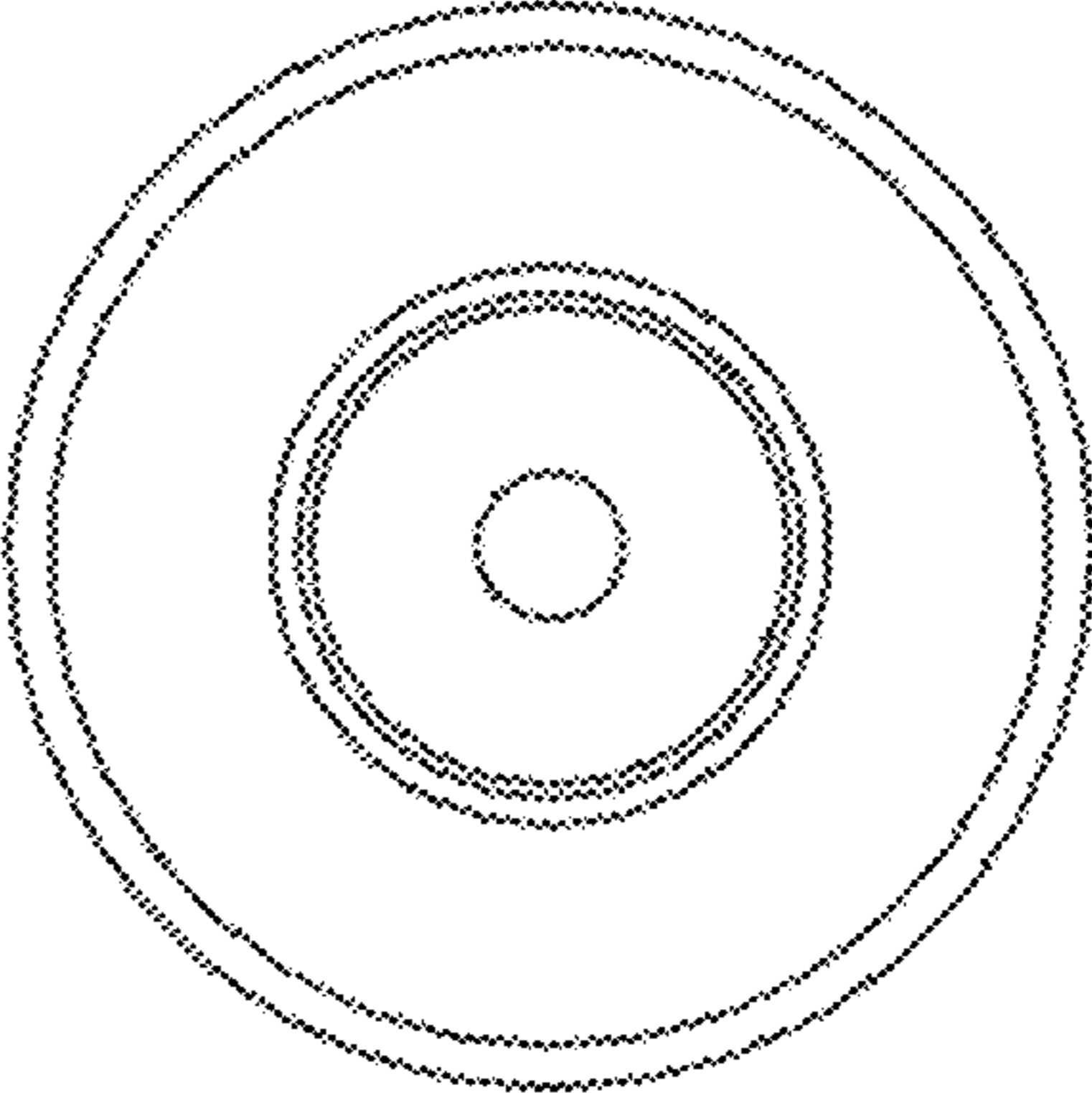


Fig. 2

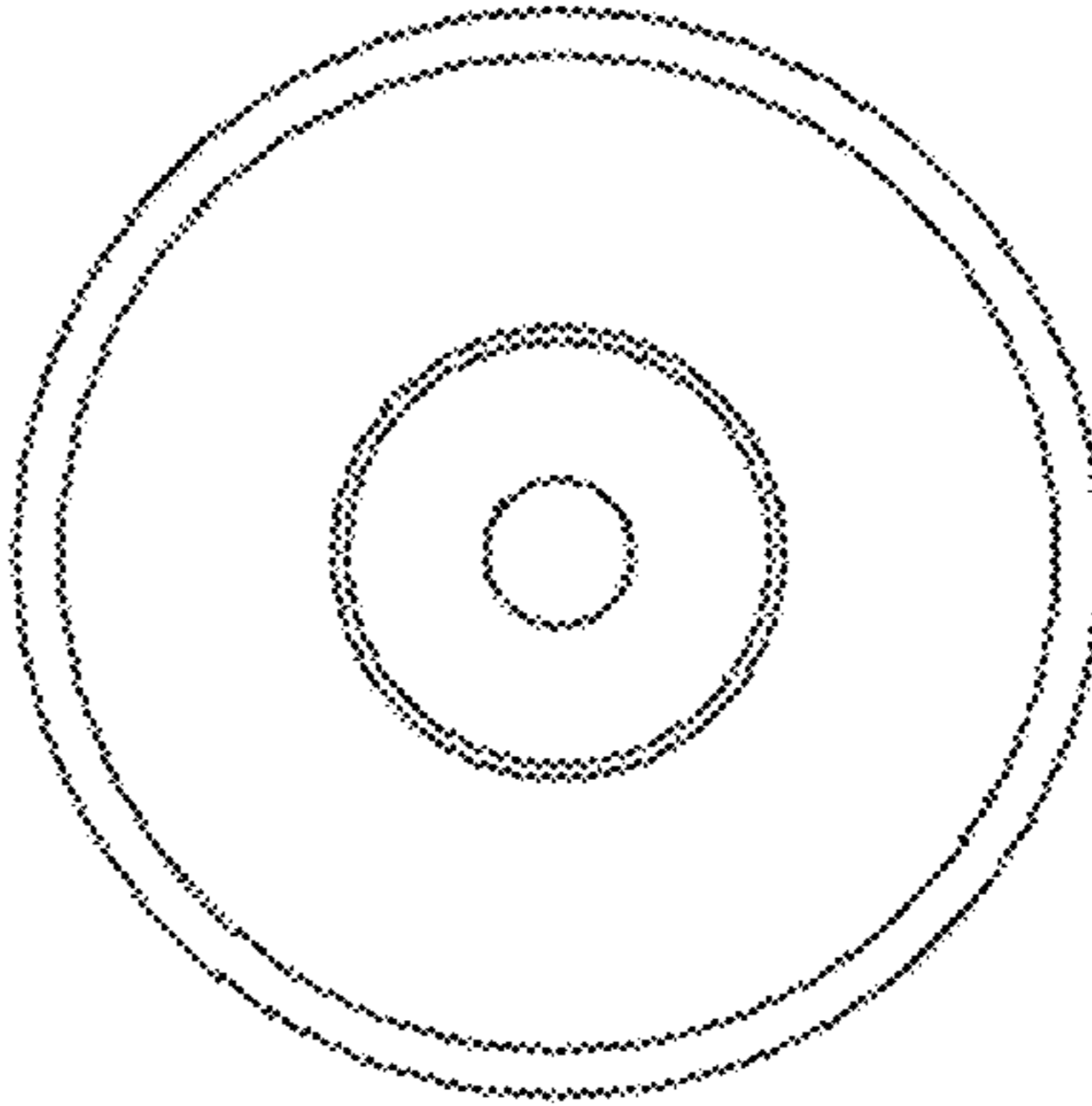


Fig. 3

Fig. 4

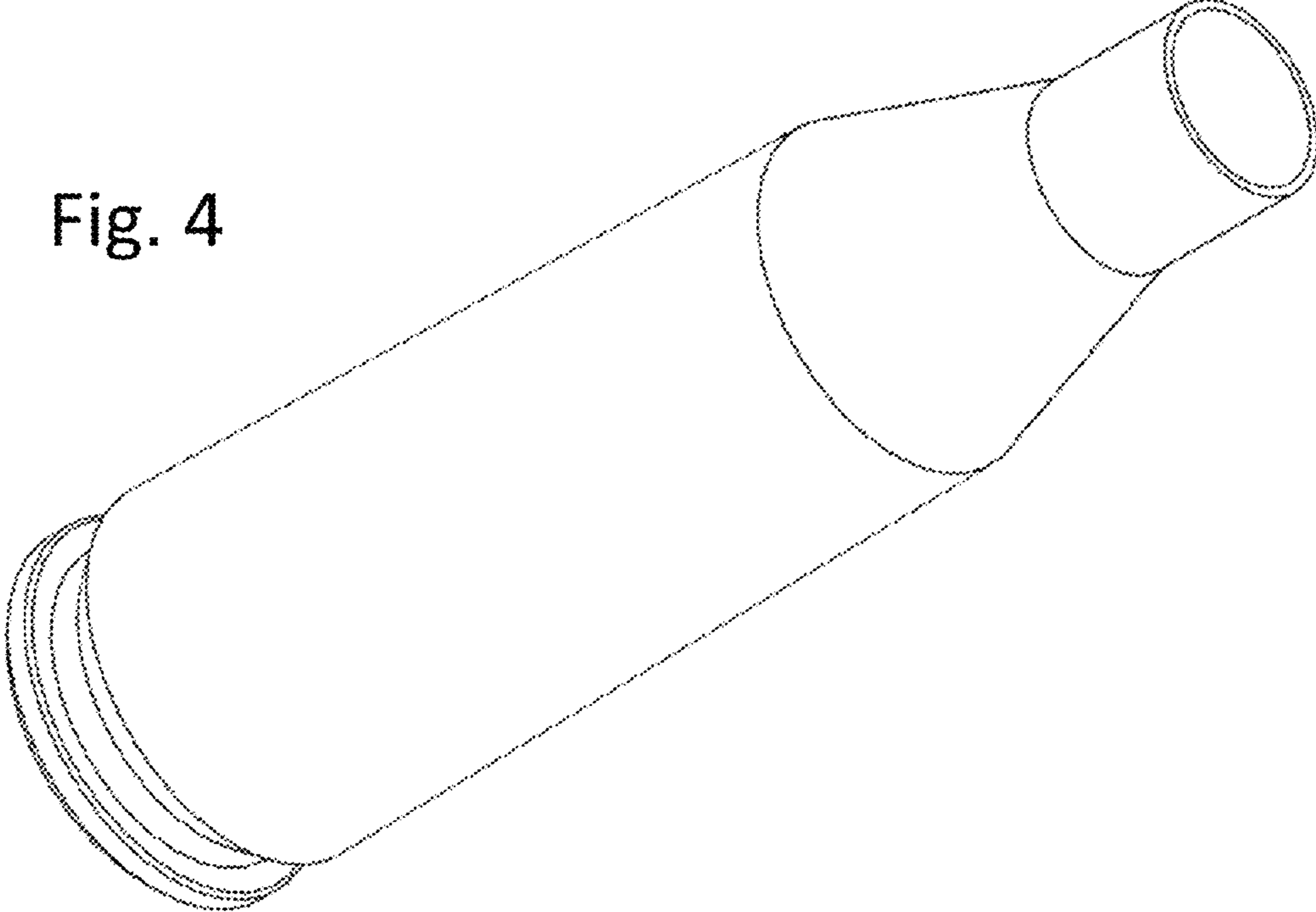
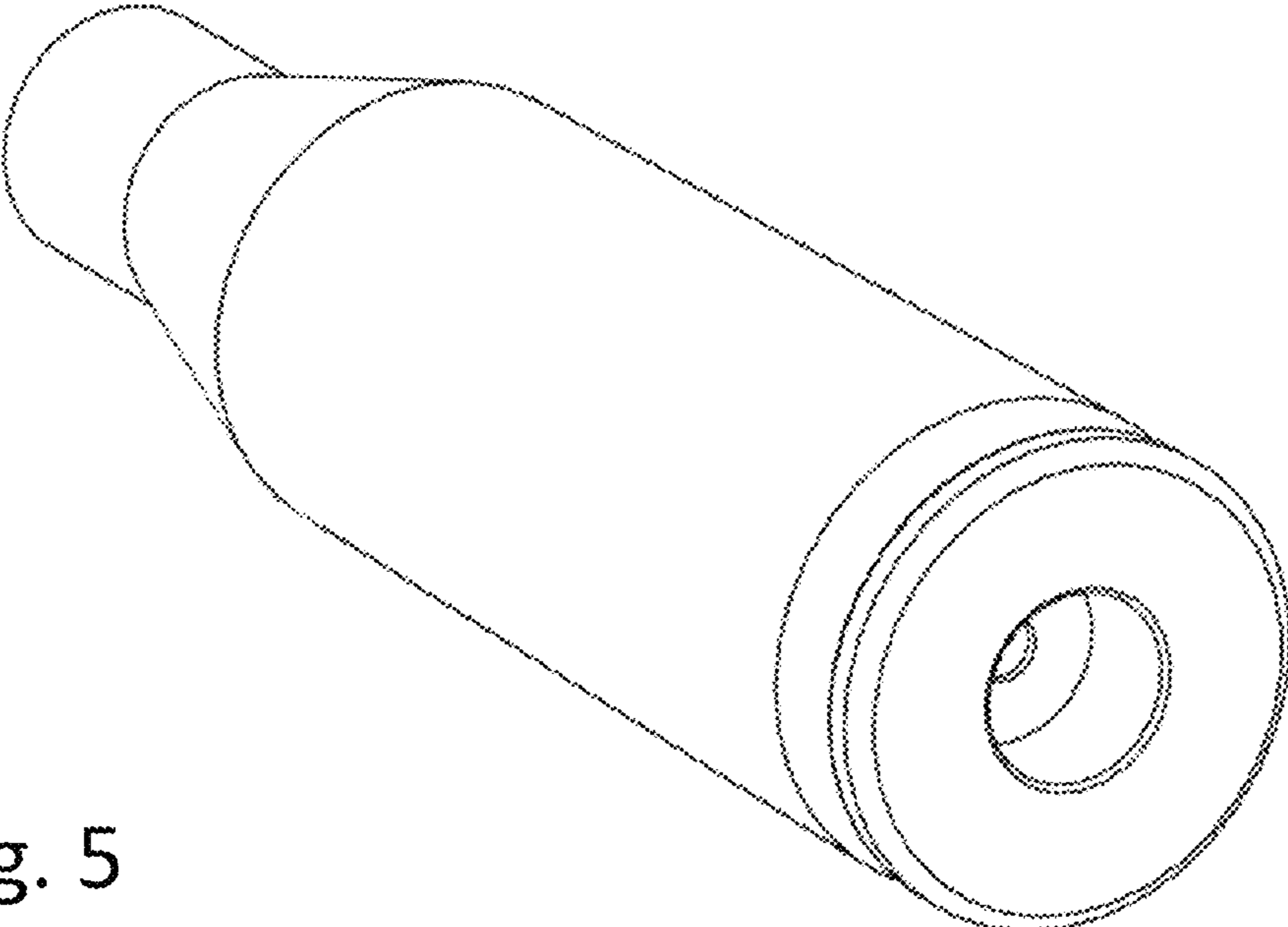


Fig. 5



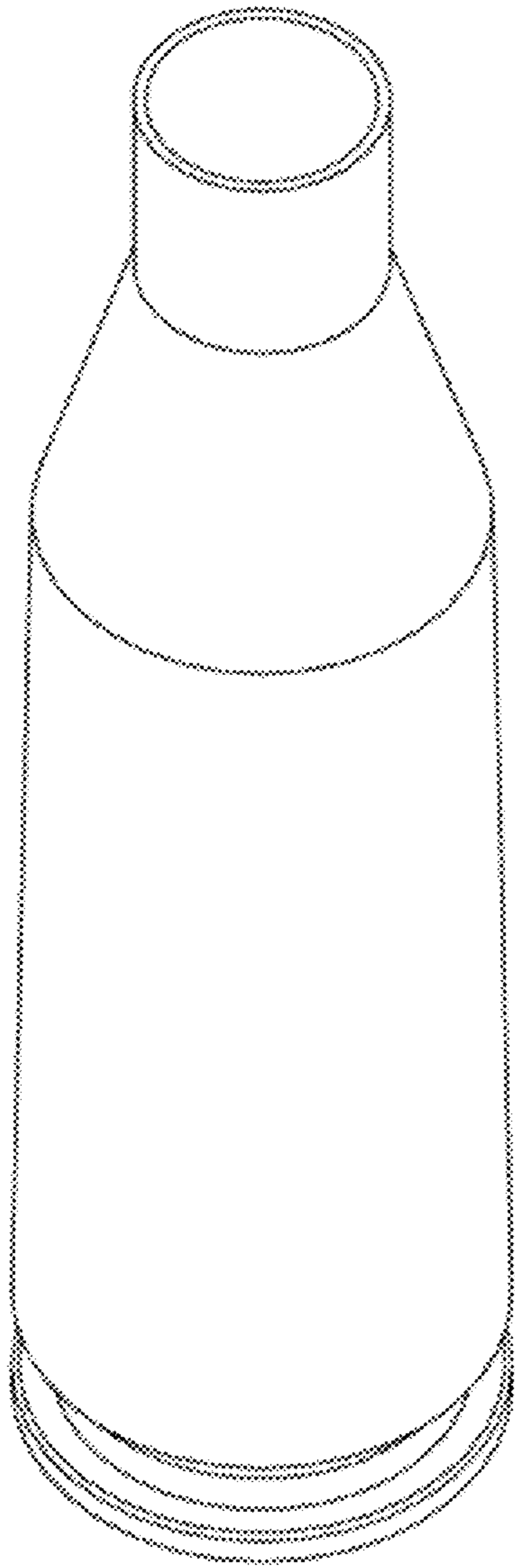


Fig. 6

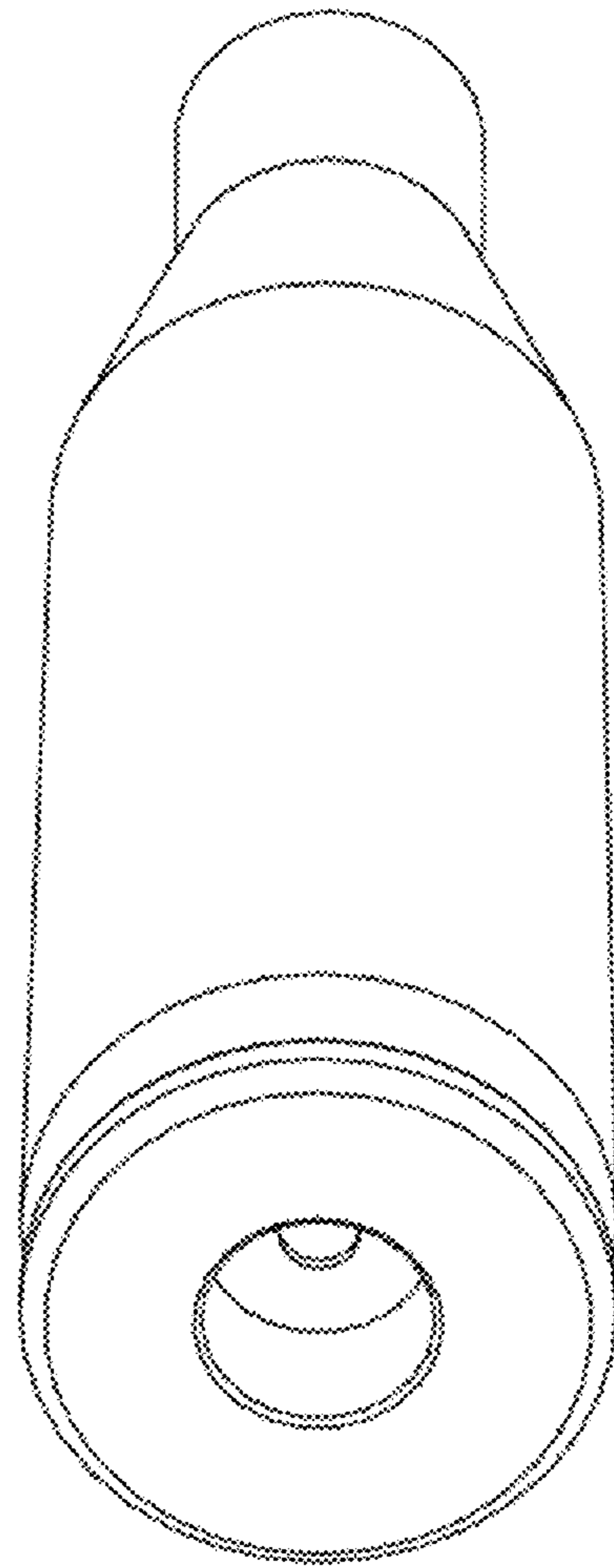


Fig. 7