



US00D755914S

(12) **United States Design Patent**
Andon

(10) **Patent No.:** **US D755,914 S**
(45) **Date of Patent:** **** May 10, 2016**

- (54) **TRAMPOLINE**
- (71) Applicant: **Vuly Property Pty Ltd, Wakerley (AU)**
- (72) Inventor: **Joe Andon, Wakerley (AU)**
- (73) Assignee: **VULY PROPERTY PTY LTD, Wakerley (AU)**
- (**) Term: **14 Years**
- (21) Appl. No.: **29/514,309**
- (22) Filed: **Jan. 10, 2015**
- (30) **Foreign Application Priority Data**
Jul. 10, 2014 (AU) 201413355
- (51) **LOC (10) Cl.** **21-03**
- (52) **U.S. Cl.**
USPC **D21/797**
- (58) **Field of Classification Search**
USPC D21/797, 662, 672, 811, 814
CPC A63B 5/11
See application file for complete search history.

- 7,758,471 B2 * 7/2010 Nelson A63B 5/11
482/27
- D630,285 S * 1/2011 Hsiang D21/797
- D653,299 S * 1/2012 Samuel D21/797
- D664,228 S * 7/2012 Hsiang D21/797
- 8,430,795 B2 * 4/2013 Publicover A63B 5/11
482/27
- 8,585,558 B2 * 11/2013 Chen A63B 5/11
482/27
- D712,497 S * 9/2014 Yang D21/797
- 2003/0064861 A1 * 4/2003 Chen A63B 5/11
482/27
- 2005/0079954 A1 * 4/2005 Wang A63B 5/11
482/27
- 2006/0270525 A1 * 11/2006 Colling A63B 5/11
482/27
- 2008/0269019 A1 * 10/2008 Lovley, II A63B 5/11
482/27
- 2008/0269020 A1 * 10/2008 Alexander A63B 5/11
482/29
- 2008/0269021 A1 * 10/2008 Publicover A63B 5/11
482/29

* cited by examiner

Primary Examiner — Mitchell Siegel
(74) *Attorney, Agent, or Firm* — Hodgson Russ LLP

(57) **CLAIM**
The ornamental design for a trampoline, as shown and described.

(56) **References Cited**

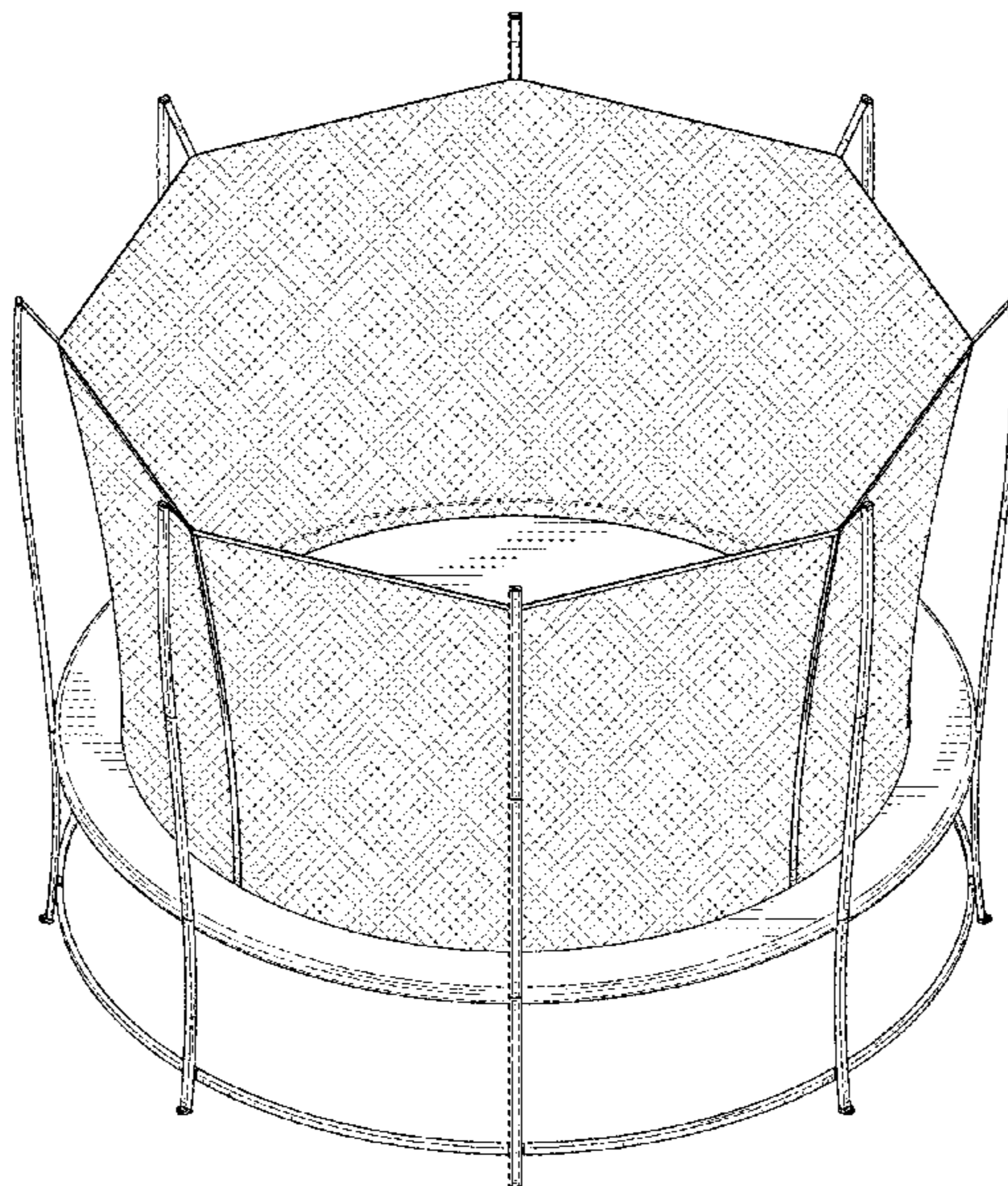
U.S. PATENT DOCUMENTS

- 6,053,845 A * 4/2000 Publicover A63B 5/11
482/27
- D433,725 S * 11/2000 Chen D21/797
- 6,336,893 B1 * 1/2002 Chen A63B 5/11
482/27
- D478,955 S * 8/2003 Chen D21/797
- D570,947 S * 6/2008 Horne D21/797
- 7,611,443 B2 * 11/2009 Publicover A63B 5/11
482/27
- D614,715 S * 4/2010 Mann D21/797
- 7,708,667 B2 * 5/2010 Alexander A63B 5/11
482/27

DESCRIPTION

FIG. 1 is a perspective view of a trampoline showing my new design;
FIG. 2 is a front view thereof, the rear, left, and right views being symmetrical;
FIG. 3 is a top view thereof; and,
FIG. 4 is a bottom view thereof.
The broken line showing of the netting is included for the purpose of illustrating and forms no part of the claimed design.

1 Claim, 4 Drawing Sheets



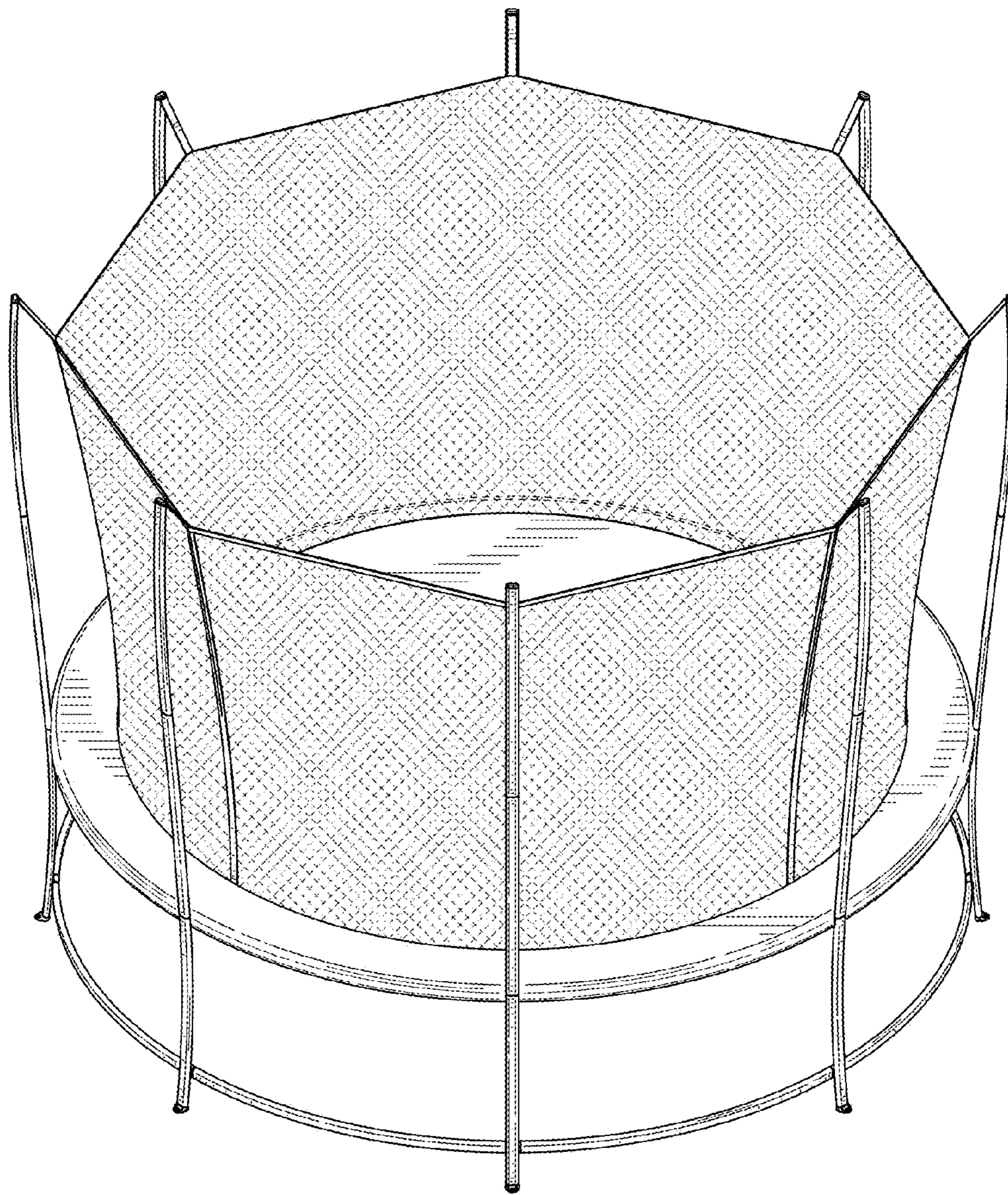


FIG. 1

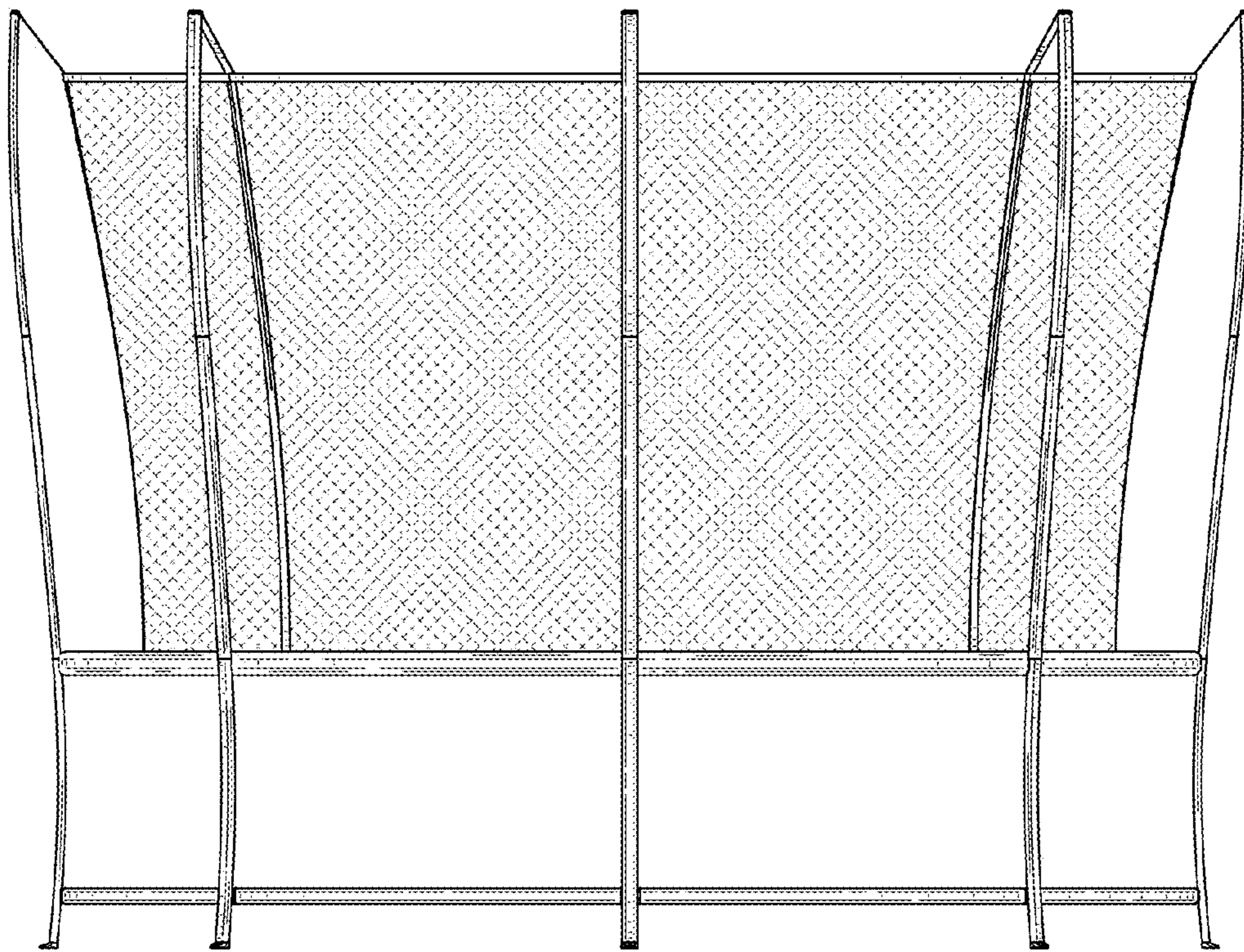


FIG. 2

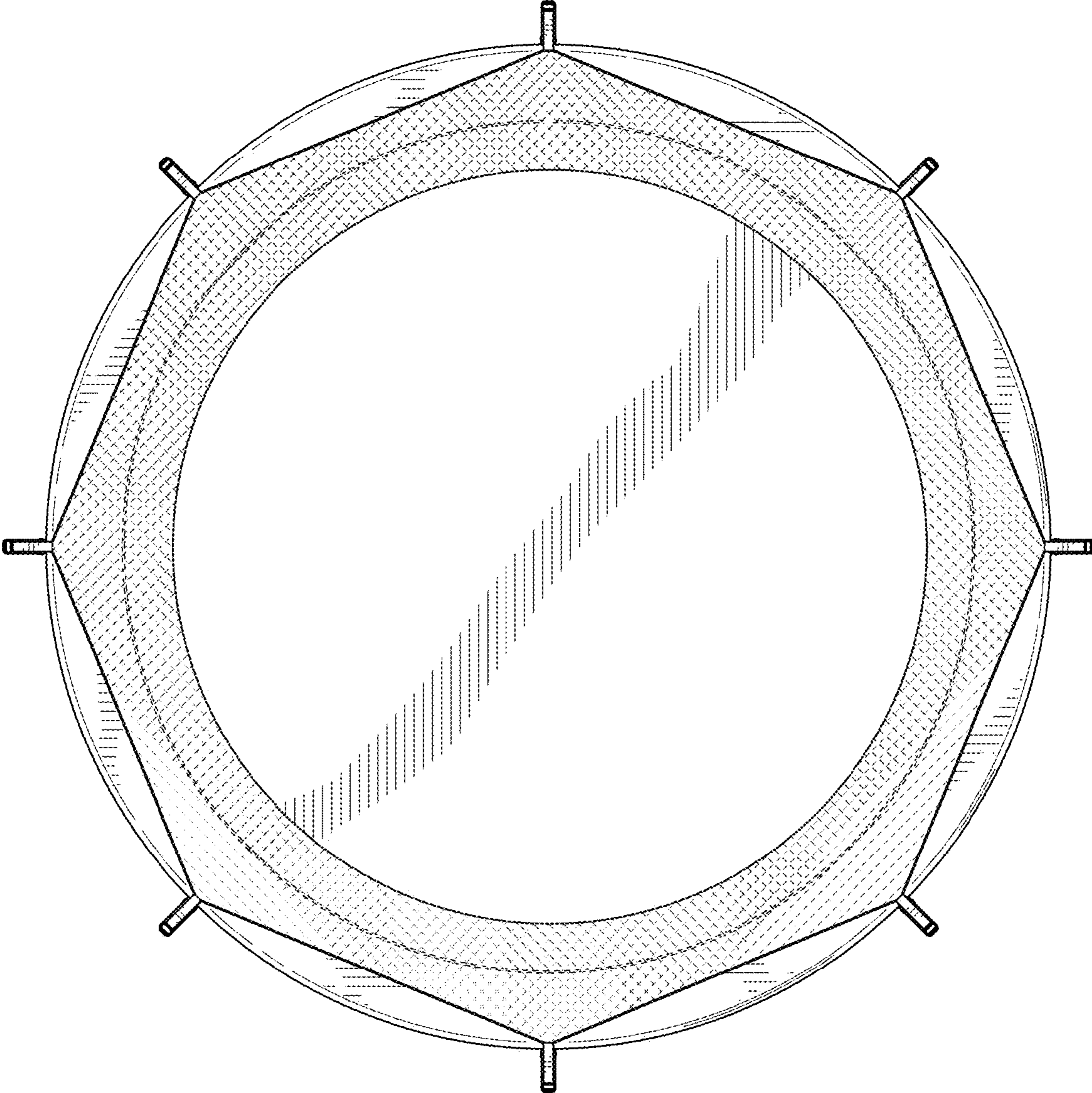


FIG. 3

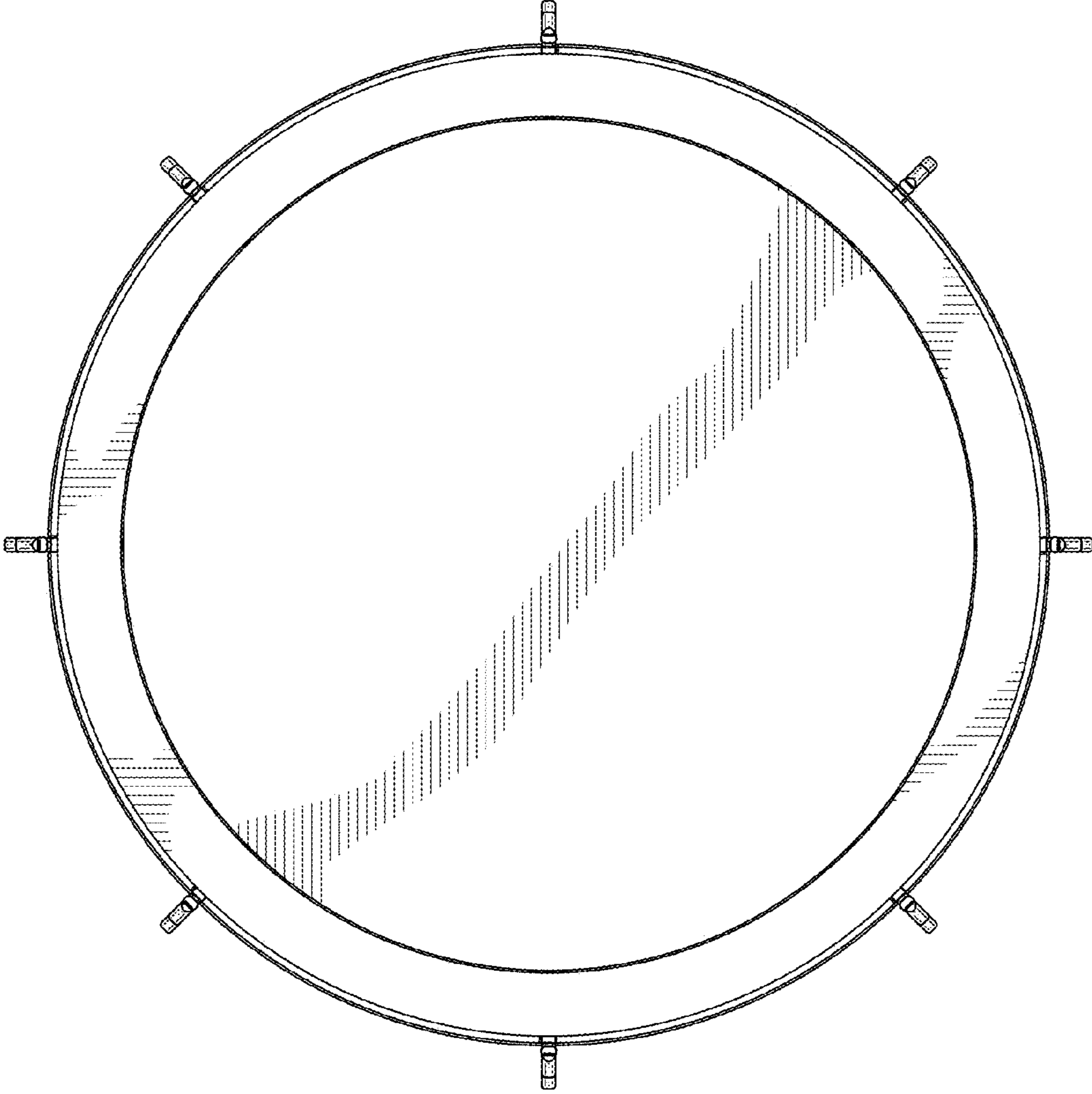


FIG. 4