



US00D755913S

(12) **United States Design Patent**
Wallace et al.

(10) **Patent No.:** **US D755,913 S**
(45) **Date of Patent:** **** May 10, 2016**

- (54) **COLLAPSIBLE HOLDER FOR A BILLIARD CUE CASE**
- (71) Applicants: **Greg Wallace**, La Habra, CA (US); **Joel Lopez**, La Habra, CA (US)
- (72) Inventors: **Greg Wallace**, La Habra, CA (US); **Joel Lopez**, La Habra, CA (US)
- (**) Term: **14 Years**
- (21) Appl. No.: **29/474,476**
- (22) Filed: **Oct. 1, 2014**
- (51) **LOC (10) Cl.** **21-01**
- (52) **U.S. Cl.**
USPC **D21/782**
- (58) **Field of Classification Search**
USPC D21/782-784; D3/254, 221, 255, 259, D3/328, 328.1, 904; 248/171, 538, 96, 97; 211/172; 206/315.1, 443, 1.5, 109; 190/109, 119-121
CPC A45C 7/00; A63B 55/00; A63B 55/10; A63B 57/00; B65D 85/20; F16M 11/40; F16M 13/00
See application file for complete search history.

6,561,348	B2 *	5/2003	Kuo	206/315.1
D509,956	S *	9/2005	Lin	D3/254
7,353,943	B2	4/2008	Evans et al.		
7,717,263	B2 *	5/2010	Evans et al.	206/315.7
D654,688	S *	2/2012	Lytle et al.	D3/254
8,256,610	B2	9/2012	Michas et al.		
8,523,201	B2	9/2013	Allen		
2003/0111369	A1 *	6/2003	Markowitz, Jr.	206/315.1
2007/0158509	A1	7/2007	Hubbell		

* cited by examiner

Primary Examiner — Prabhakar Deshmukh

(74) *Attorney, Agent, or Firm* — Suzanne Kikel

(57) **CLAIM**

The ornamental design for a collapsible holder for a billiard cue case, as shown and described.

DESCRIPTION

FIG. 1 is a front perspective view of a collapsible holder for a billiard cue case showing our new design, shown in its operational position;
 FIG. 2 is an exploded top plan view thereof, shown in collapsed position and the screws being separated from the legs of the collapsible holder for clarity;
 FIG. 3 is a front elevational view thereof, shown in non-operational position;
 FIG. 4 is a rear elevational view of FIG. 3;
 FIG. 5 is a right side elevational view thereof;
 FIG. 6 is a left side elevational view thereof;
 FIG. 7 is a bottom plan view thereof;
 FIG. 8 is a top plan view thereof; and,
 FIG. 9 is a rear perspective view of FIG. 1.
 The broken lines showing cue case, billiard cue and indicia "billiard caddy" indicate environment and form no part of the claimed design.

1 Claim, 8 Drawing Sheets

(56) **References Cited**

U.S. PATENT DOCUMENTS

3,195,844	A *	7/1965	Roepke	248/96
4,915,332	A *	4/1990	Ouellette	248/171
5,082,218	A *	1/1992	Hoffman	248/96
5,338,261	A *	8/1994	Stegman	473/1
6,168,123	B1 *	1/2001	Stein et al.	248/96
6,427,954	B1 *	8/2002	Sundara et al.	248/96
D465,315	S *	11/2002	Tanaka	D2/742

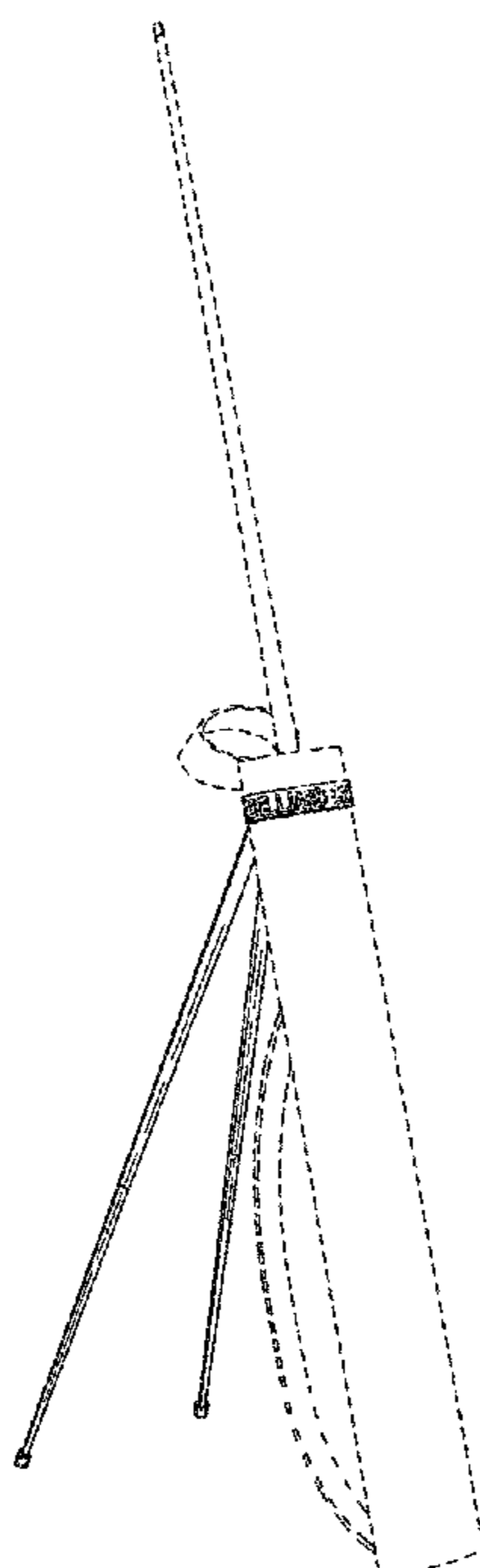
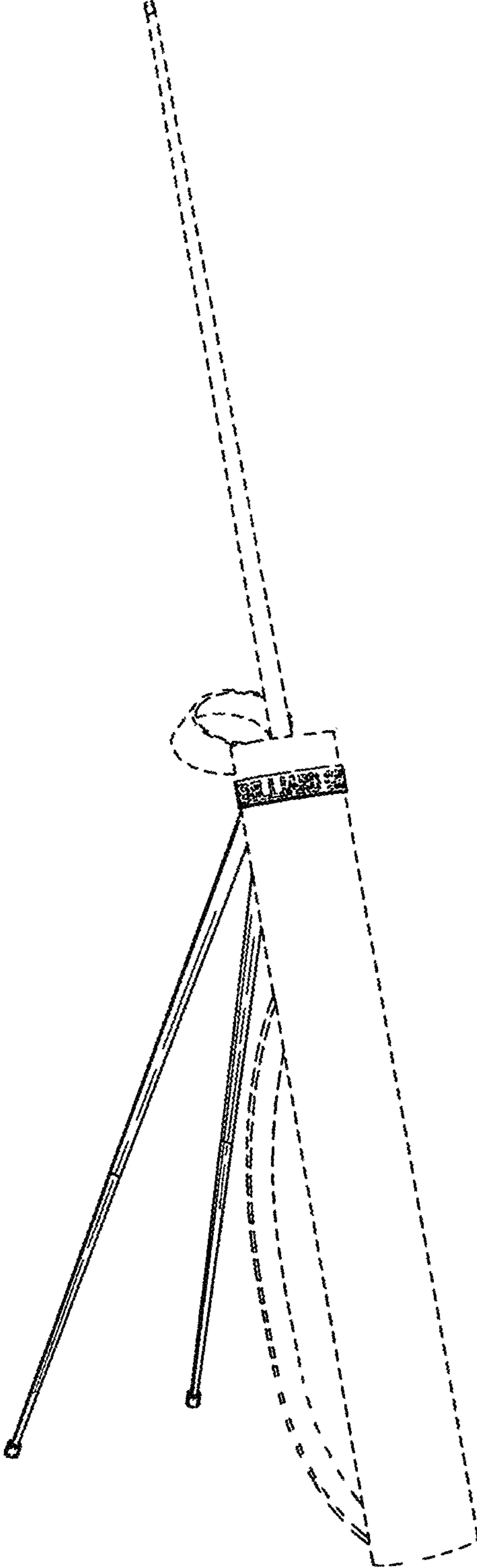


FIG. 1



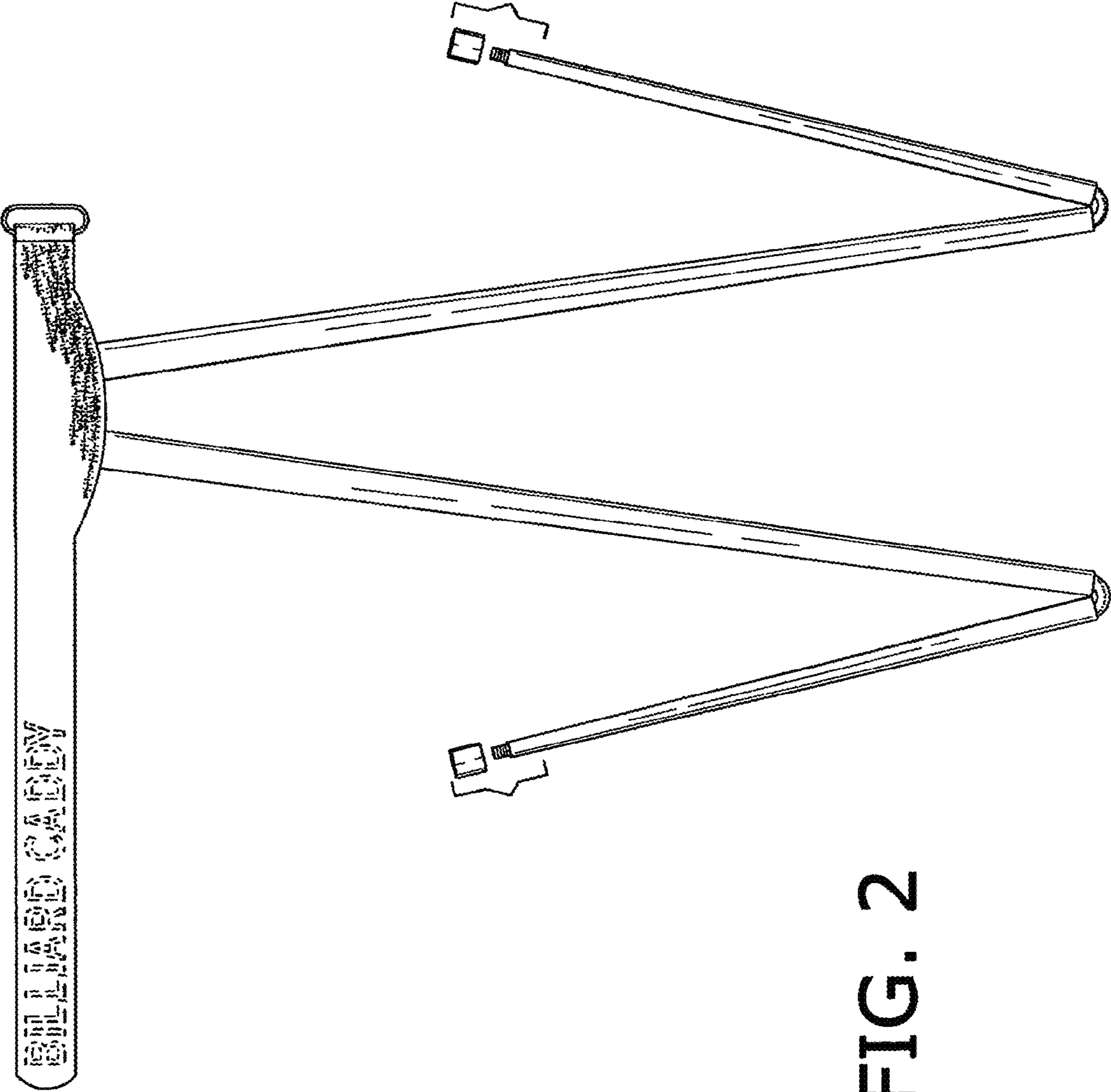


FIG. 2

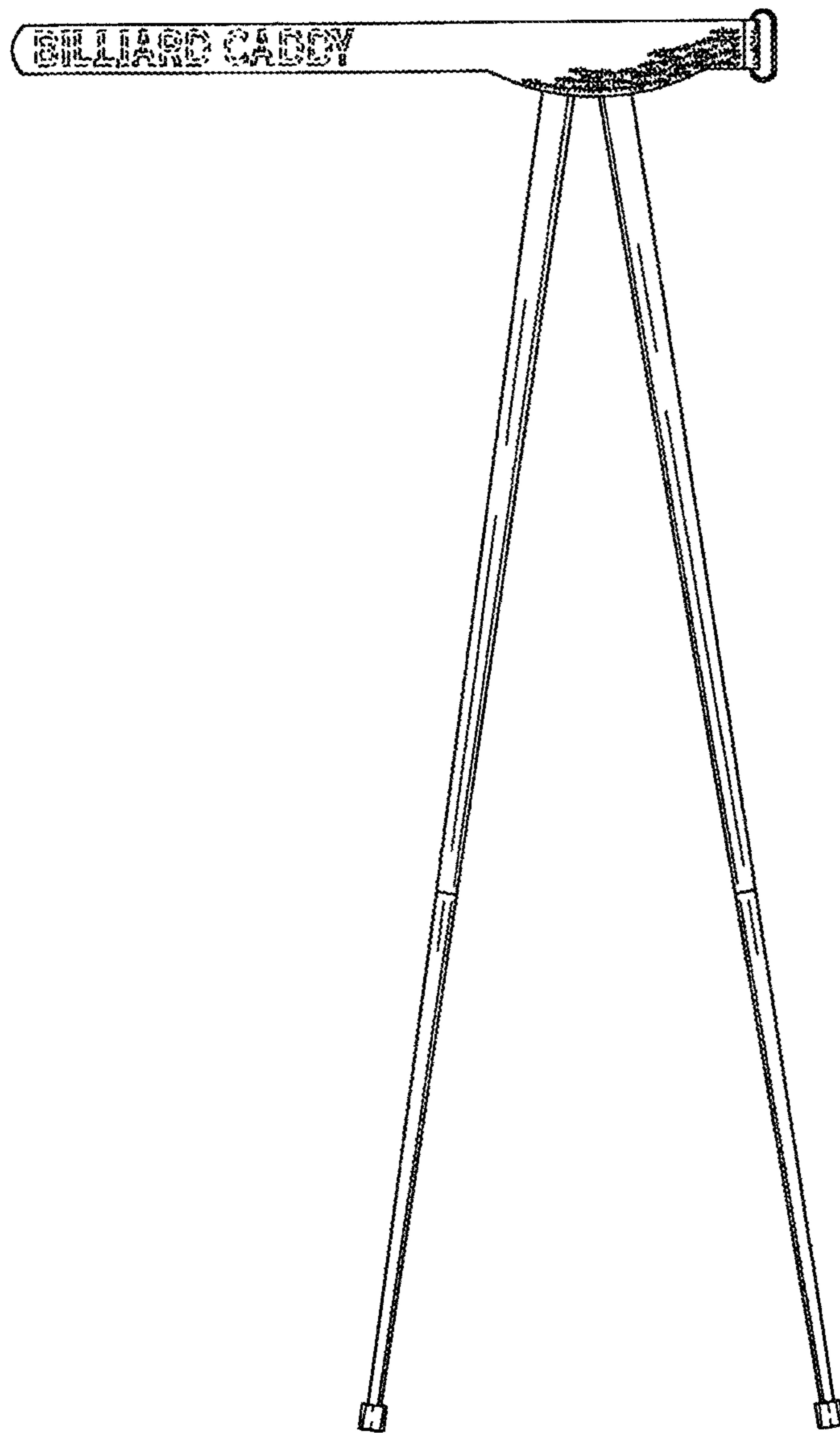


FIG. 3

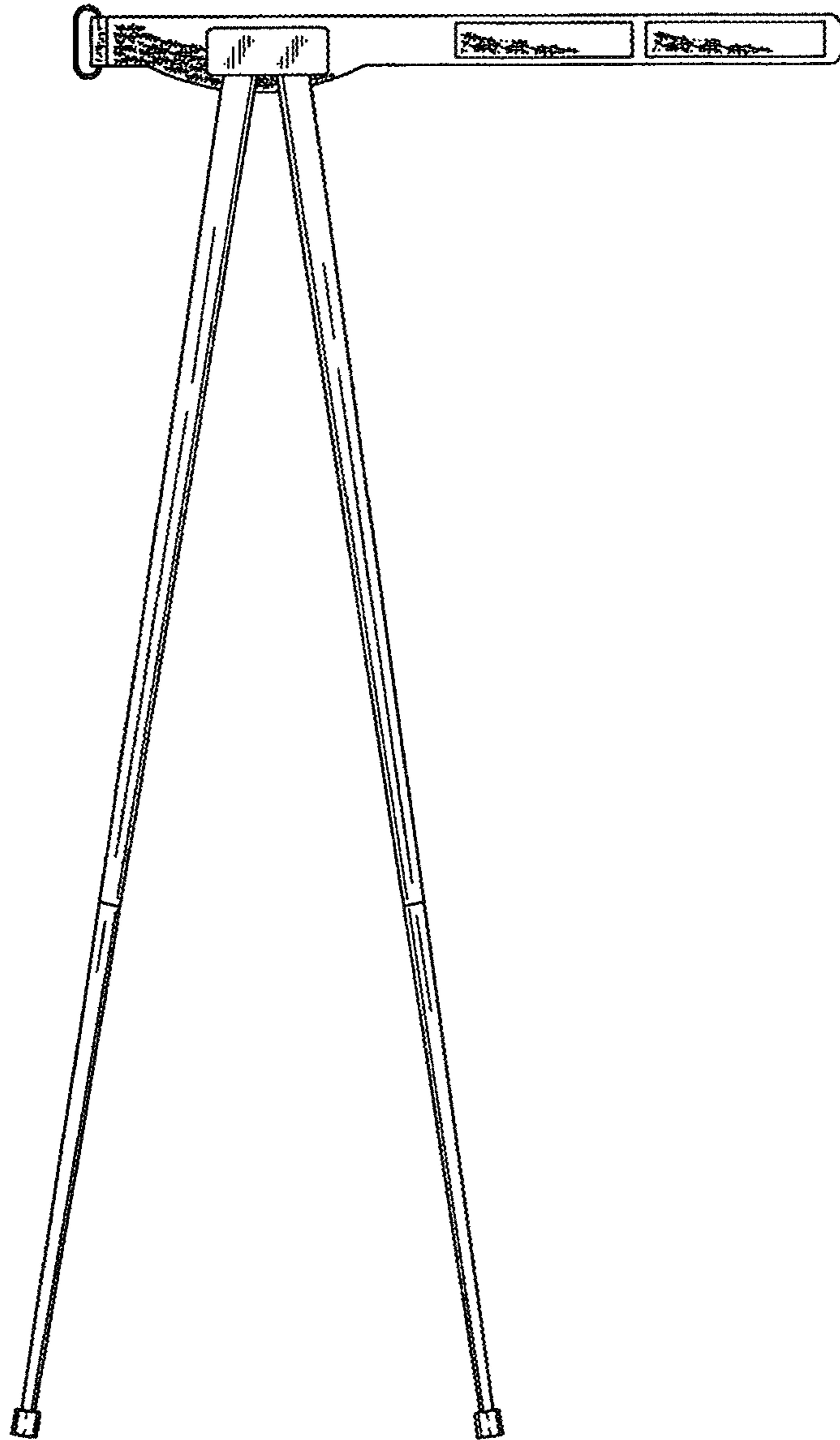


FIG. 4

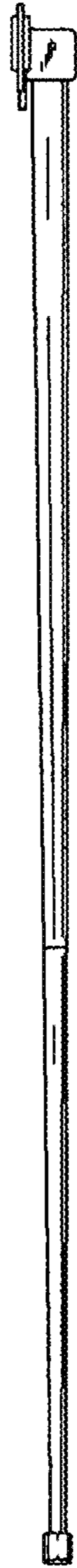


FIG. 5

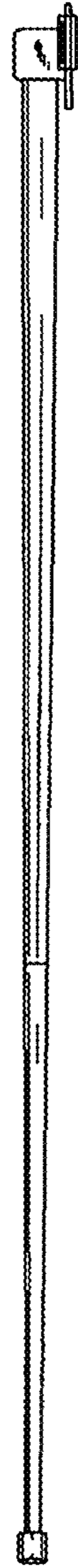


FIG. 6



FIG. 7

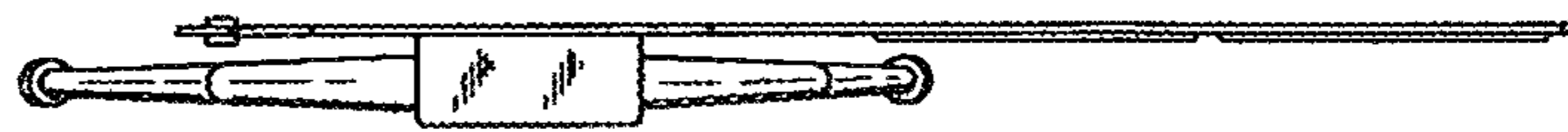


FIG. 8

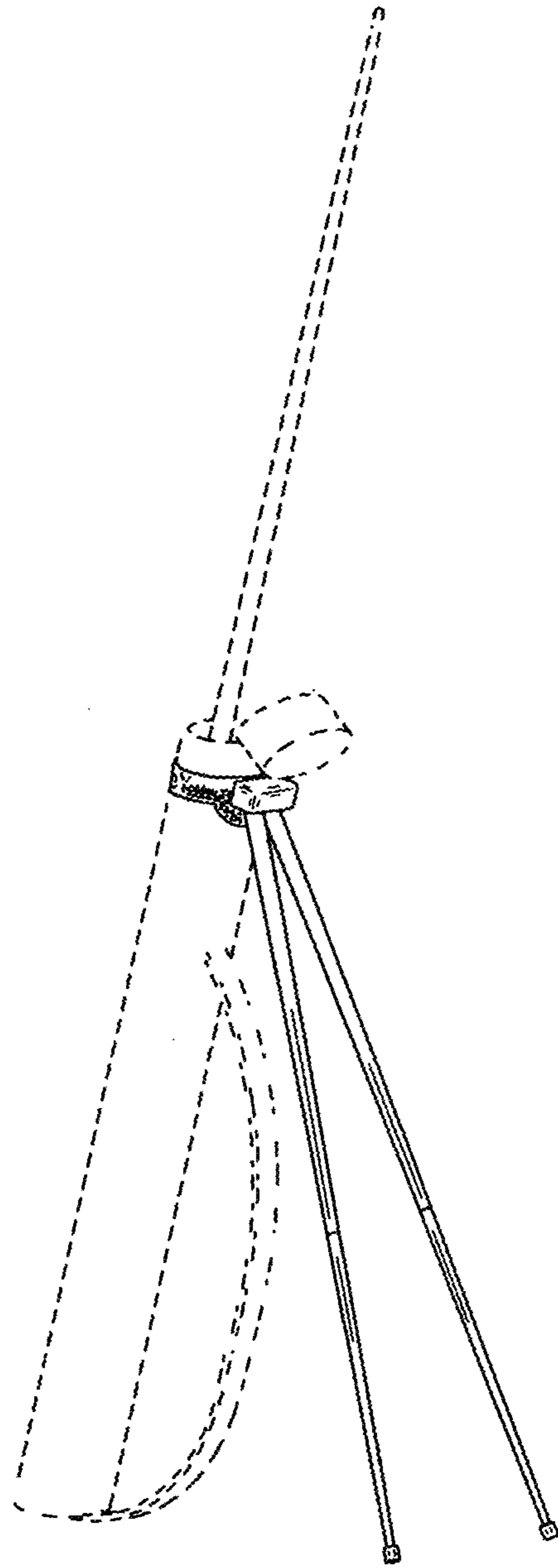


FIG. 9