

US00D755910S

(12) **United States Design Patent**
Randazzo

(10) **Patent No.:** **US D755,910 S**
(45) **Date of Patent:** **** May 10, 2016**

- (54) **EXERCISE BOX**
- (71) Applicant: **Gaspare J. Randazzo**, Huntington, NY (US)
- (72) Inventor: **Gaspare J. Randazzo**, Huntington, NY (US)
- (**) Term: **14 Years**
- (21) Appl. No.: **29/517,726**
- (22) Filed: **Feb. 16, 2015**
- (51) **LOC (10) Cl.** **21-02**
- (52) **U.S. Cl.**
USPC **D21/686**
- (58) **Field of Classification Search**
USPC D21/686, 690, 676, 662, 691, 673, 697, D21/797, 826, 694, 671, 685, 688, 689; 482/129, 92, 104, 142, 57, 63, 138, 94, 482/106, 108, 908, 130, 146, 147, 34, 135, 482/101, 97, 62, 51, 37, 121, 126, 148, 113, 482/137; D6/708, 552, 675, 675.5, 349, D6/301; D3/307, 273, 276, 298, 277, 294, D3/350; D7/510, 511; D12/114, 411, D12/414.1; D25/1, 33, 126
CPC A63B 22/0605; A63B 21/4029; A63B 23/0211; A63B 21/225; A63B 21/4035; A63B 21/078
See application file for complete search history.

- D467,449 S * 12/2002 Ong D6/675
- 7,070,547 B1 * 7/2006 Pater A63B 21/078
482/104
- D575,878 S * 8/2008 Bartlett D25/33
- D597,614 S * 8/2009 Goddard D21/686
- D626,821 S * 11/2010 Hikoyama D8/380
- D627,211 S * 11/2010 Hikoyama D8/380
- D627,212 S * 11/2010 Hikoyama D8/380
- D655,425 S * 3/2012 Wauhop D25/113
- D667,174 S * 9/2012 Stevenson D30/101
- 8,414,414 B2 * 4/2013 Viramontez A63B 69/0002
473/270
- D690,522 S * 10/2013 Pontiff D6/349
- D700,435 S * 3/2014 Gold D3/307
- D705,556 S * 5/2014 Udagawa D6/349
- D711,103 S * 8/2014 Wu D3/277

(Continued)

OTHER PUBLICATIONS

Multiple Sided Plyometric Boxes by Fringe Sport dated Dec. 5, 2011. Found online [Feb. 2, 2016] <http://www.fringesport.com/products/multi-sided-plyo-boxes?variant=13938649028>.*

(Continued)

Primary Examiner — Robert M Spear
Assistant Examiner — Ryan Harvey
(74) *Attorney, Agent, or Firm* — Gaspare J. Randazzo

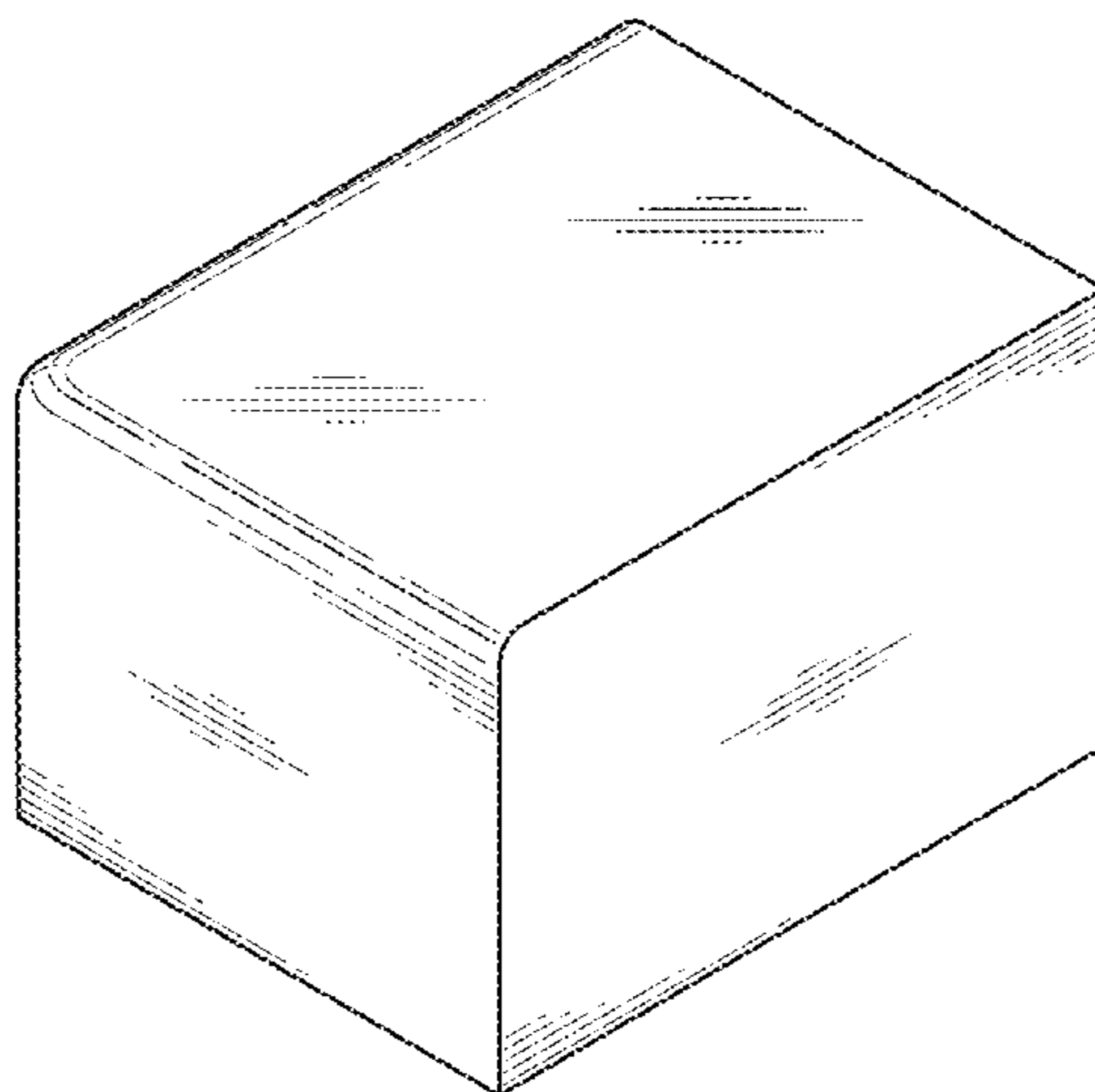
(57) **CLAIM**
The ornamental design for an exercise box, as shown and described.

DESCRIPTION

FIG. 1 is a top perspective view of the exercise box showing my new design;
FIG. 2 is a side view thereof;
FIG. 3 is another side view thereof;
FIG. 4 is yet another side view thereof;
FIG. 5 is still another side view thereof;
FIG. 6 is a top view thereof; and,
FIG. 7 is a bottom view thereof.

1 Claim, 3 Drawing Sheets

- (56) **References Cited**
U.S. PATENT DOCUMENTS
- 4,758,195 A * 7/1988 Walsh A63H 33/04
401/196
- 4,950,033 A * 8/1990 Anderson A47C 3/04
182/33
- D339,179 S * 9/1993 Wilkinson D21/671
- D339,615 S * 9/1993 Stewart D21/493
- D353,029 S * 11/1994 Northrop D30/108
- D417,135 S * 11/1999 McMahon D13/155
- D444,177 S * 6/2001 Carretta D19/77



(56)

References Cited

U.S. PATENT DOCUMENTS

D736,867 S * 8/2015 Glickfield D21/671
D736,869 S * 8/2015 Harker D21/686
D737,909 S * 9/2015 Kubitz D21/686
D740,442 S * 10/2015 Cohen D25/1
D745,276 S * 12/2015 Wang D3/273
D745,978 S * 12/2015 Cohen D25/1
D746,593 S * 1/2016 Kroll D3/307
2013/0023392 A1* 1/2013 Glickfield A63B 17/04
482/142
2013/0137558 A1* 5/2013 Ross A63B 5/16
482/142

OTHER PUBLICATIONS

Fisher 36"x30" Impact Plyo Boxes by Epic Sports dated Sep. 21, 2013. Found online [Feb. 2, 2016] <http://soccer.epicsports.com/prod/25397/fisher-36-x-30-impact-plyo-boxes-set-of-3.html#reviews>.
Rogue Flat Pack Games Box by Rogue dated Feb. 3, 2012. Found online [Feb. 2, 2016] <http://www.roguefitness.com/rogue-flat-pack-games-box>.

* cited by examiner

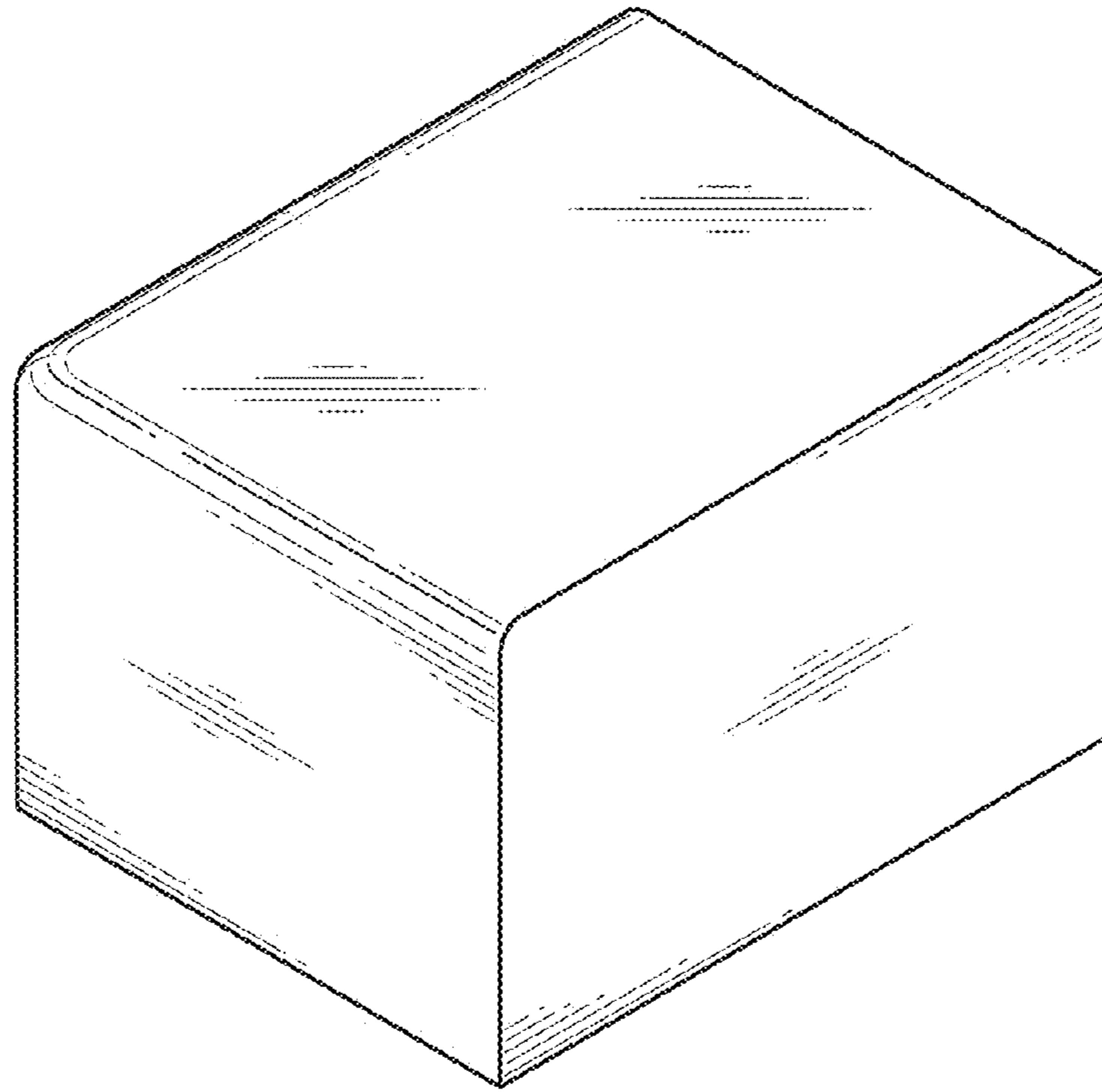


FIG. 1

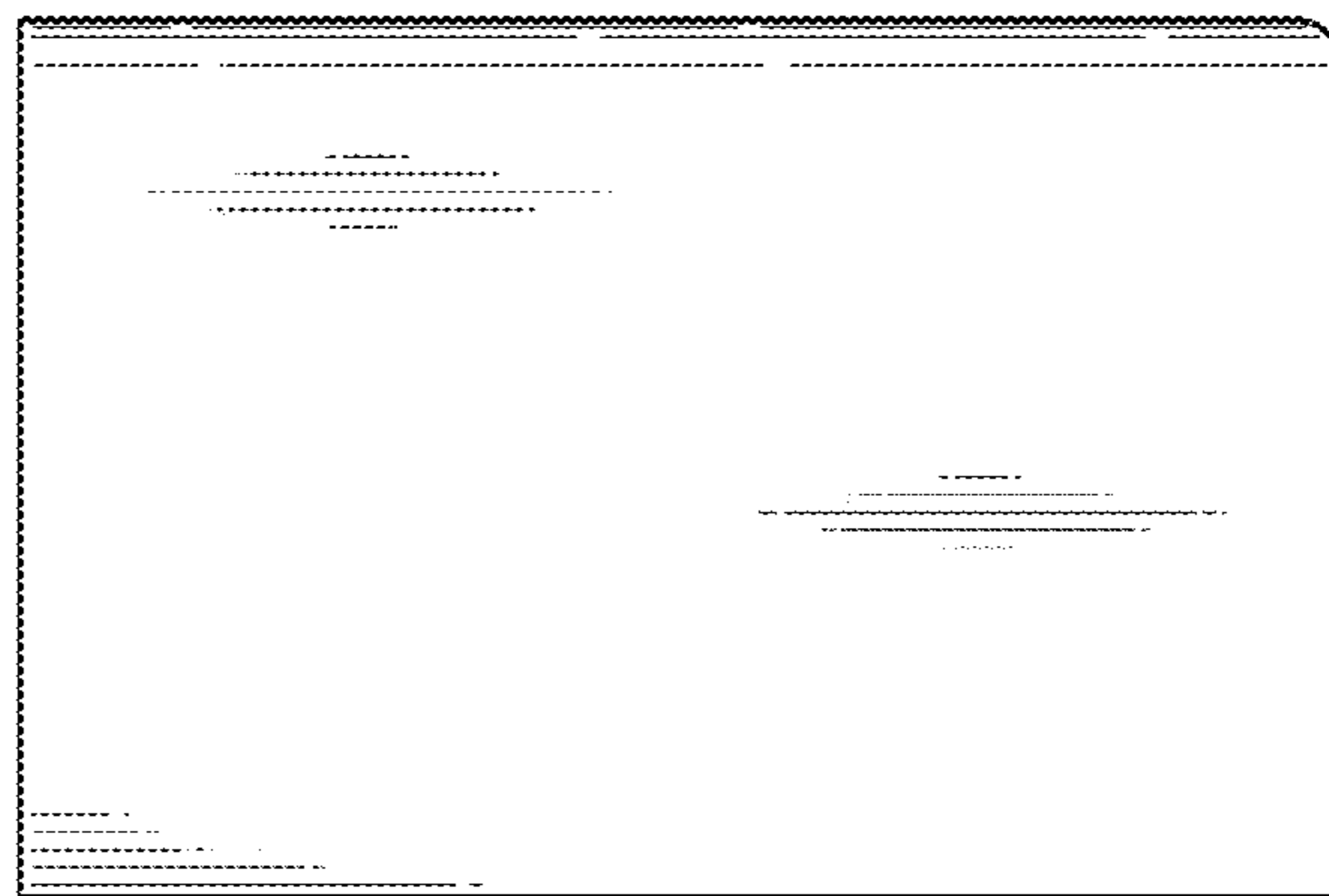


FIG. 2

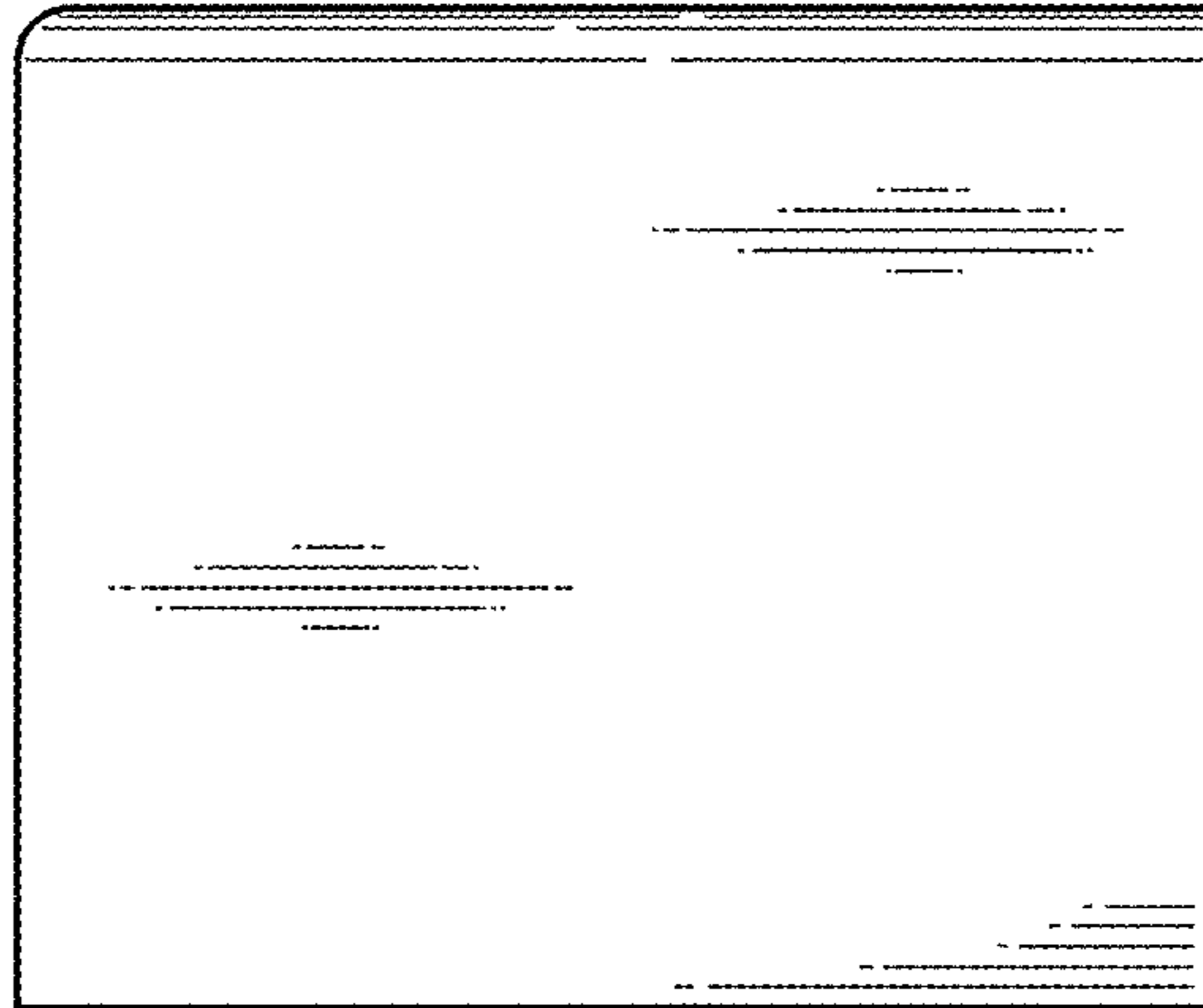


FIG. 3

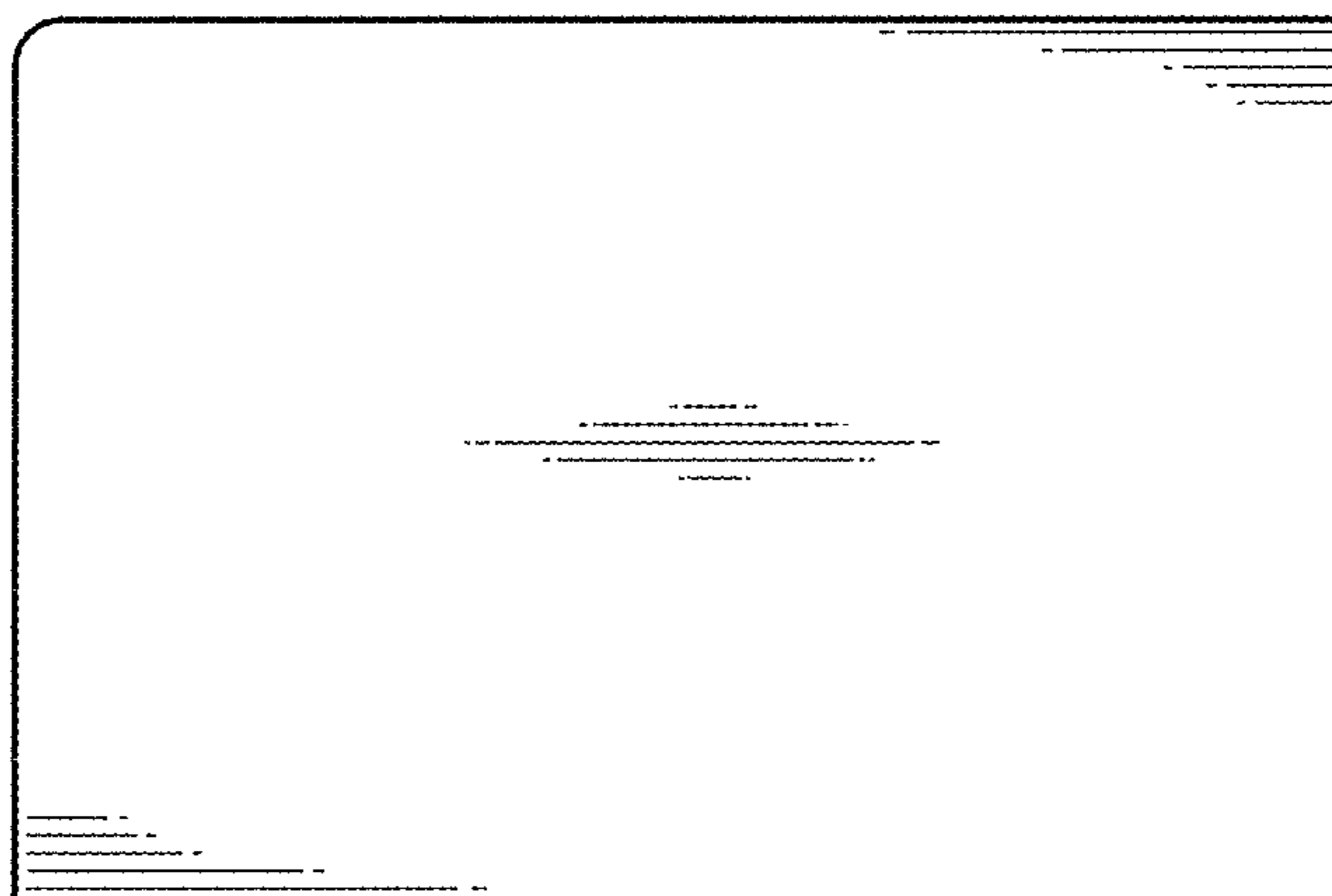


FIG. 4

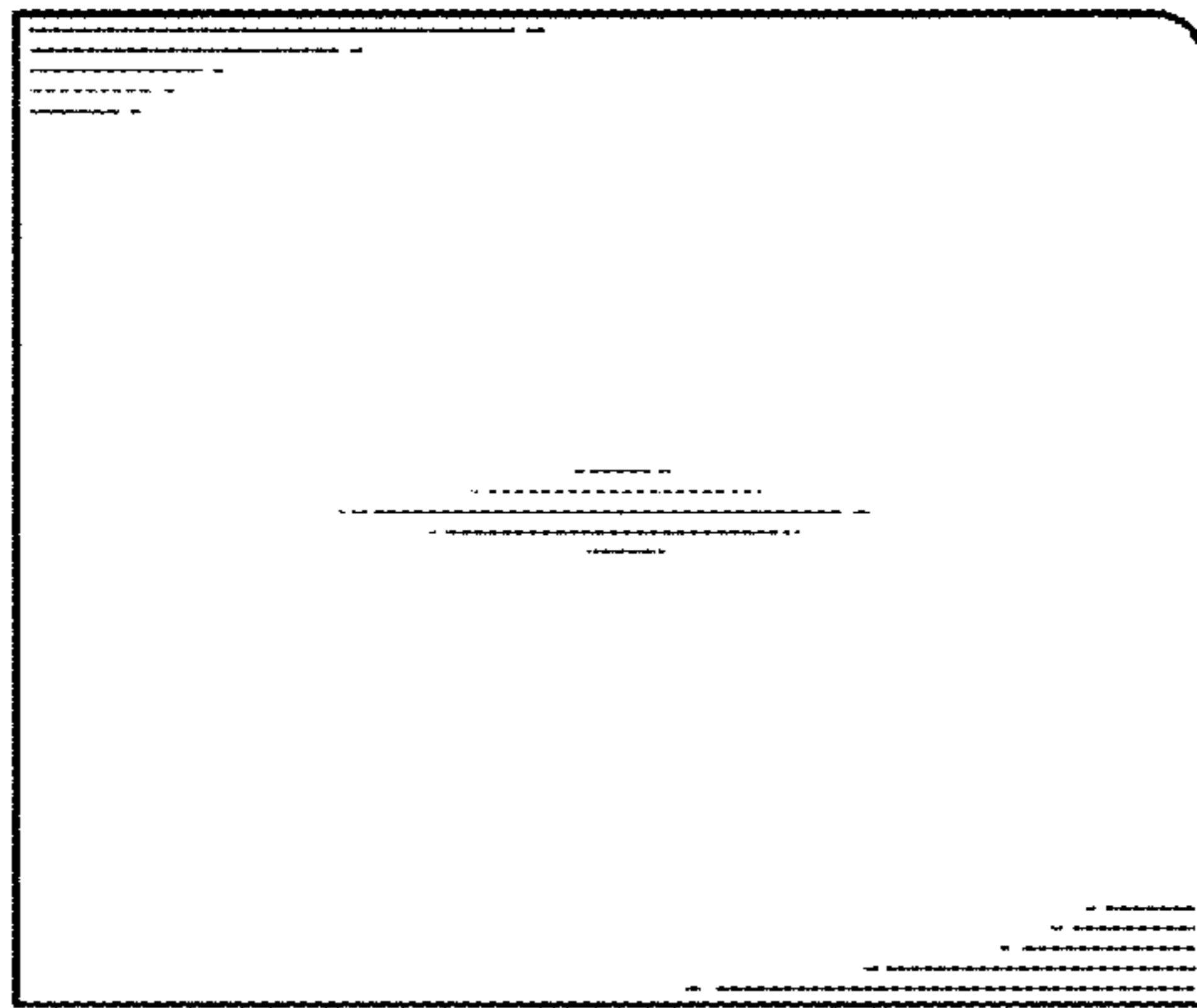


FIG. 5

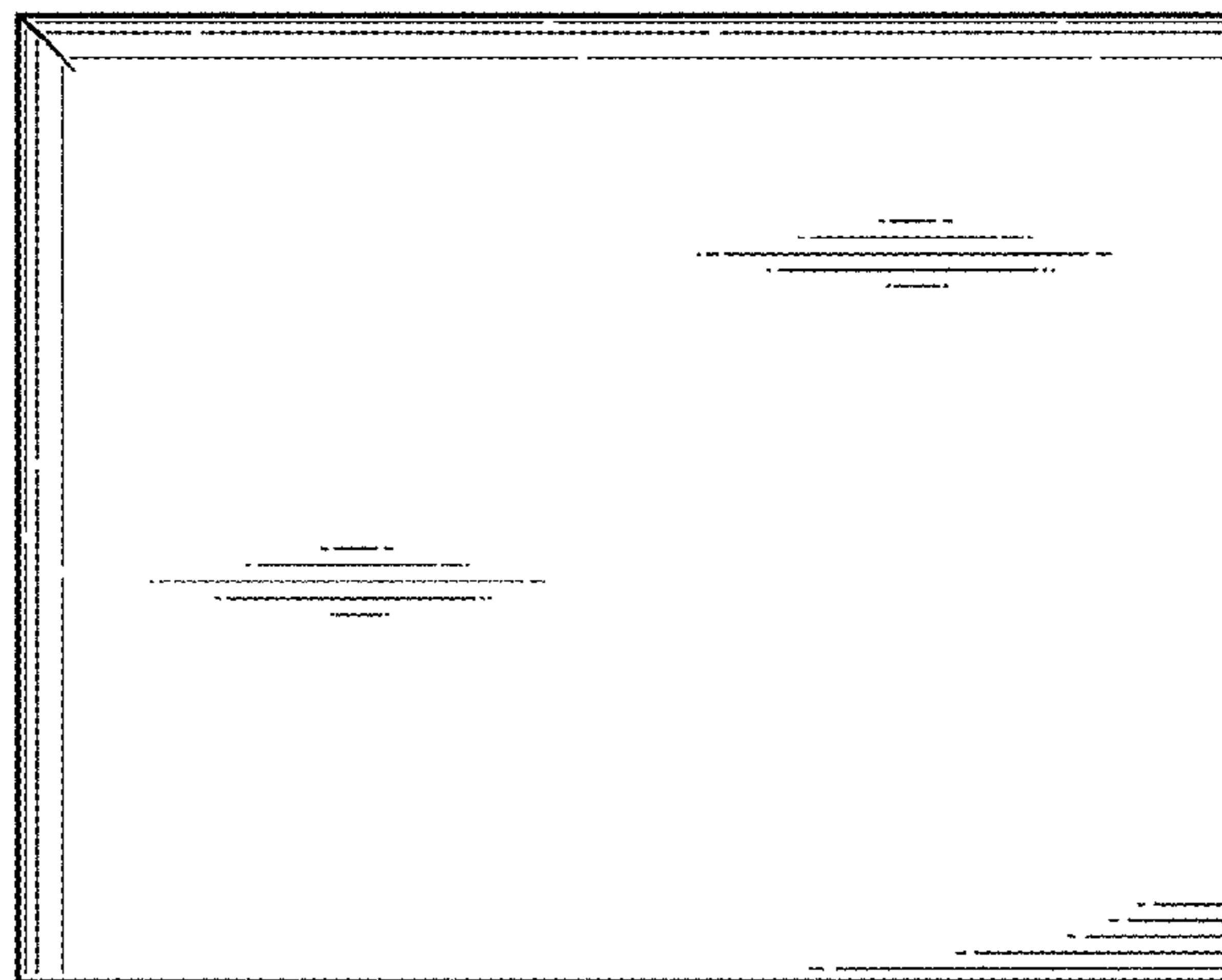


FIG. 6

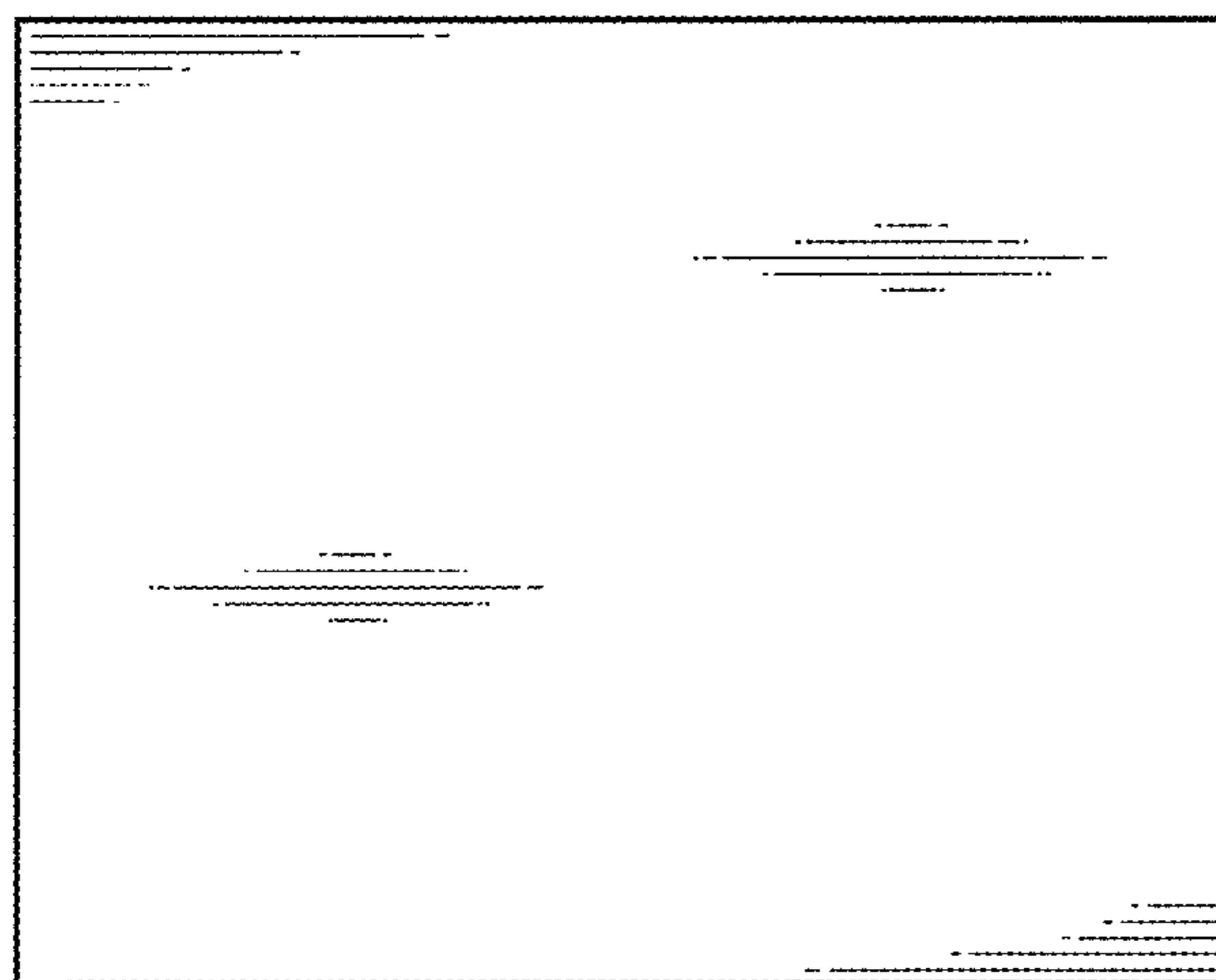


FIG. 7