

US00D755909S

(12) **United States Design Patent**
James

(10) **Patent No.:** **US D755,909 S**
(45) **Date of Patent:** **** May 10, 2016**

(54) **DUMBBELL SPOTTING MACHINE**

(71) Applicant: **Robert W. James**, Rockledge, FL (US)

(72) Inventor: **Robert W. James**, Rockledge, FL (US)

(**) Term: **14 Years**

(21) Appl. No.: **29/474,863**

(22) Filed: **Mar. 2, 2015**

(51) **LOC (10) Cl.** **21-02**

(52) **U.S. Cl.**
USPC **D21/686**

(58) **Field of Classification Search**
USPC D21/686, 690, 676, 662, 691, 673, 697,
D21/797, 826, 694, 671, 685, 688, 689;
482/129, 92, 104, 142, 57, 63, 138, 94,
482/106, 108, 908, 130, 146, 147, 34, 135,
482/101, 97, 139, 62, 51, 37, 121, 126, 148,
482/113, 137; D6/708, 552, 675, 675.5,
D6/349, 301; D3/307, 273, 276, 298, 277,
D3/294, 350; D7/510, 511; D12/114, 411,
D12/414.1; D25/1, 33, 126
CPC A63B 22/0605; A63B 21/4029; A63B
23/0211; A63B 21/225; A63B 21/4035;
A63B 21/078

See application file for complete search history.

5,954,619 A * 9/1999 Petrone A63B 21/078
482/104

D415,223 S * 10/1999 Gay D21/686

5,971,898 A * 10/1999 Schoolfield A63B 21/4029
482/104

D425,152 S * 5/2000 Ceppo D21/662

D425,950 S * 5/2000 Ceppo D21/662

D429,295 S * 8/2000 Ceppo D21/662

6,149,556 A * 11/2000 Jordan A63B 21/078
482/104

D441,813 S * 5/2001 Ceppo 482/104

D443,660 S * 6/2001 Ceppo D21/662

D487,490 S * 3/2004 Evans D21/686

6,709,370 B1 * 3/2004 Evans A63B 21/4029
482/104

D495,380 S * 8/2004 Ceppo D21/686

D495,381 S * 8/2004 Ceppo D21/686

D495,383 S * 8/2004 Ceppo D21/686

D509,548 S * 9/2005 Heitzman D21/662

7,070,547 B1 * 7/2006 Pater A63B 21/078
482/104

D578,173 S * 10/2008 James D21/686

D637,246 S * 5/2011 James D21/676

(Continued)

Primary Examiner — Robert M Spear

Assistant Examiner — Ryan Harvey

(57) **CLAIM**

I claim the ornamental design for a dumbbell spotting machine, as shown and described.

DESCRIPTION

FIG. 1 is a rear elevational view of the dumbbell spotting machine, showing my new design;

FIG. 2 is a front elevational view thereof;

FIG. 3 is a right side elevational view thereof;

FIG. 4 is a top plan view thereof;

FIG. 5 is a bottom plan view thereof;

FIG. 6 is a front perspective view thereof; and,

FIG. 7 is a rear perspective view thereof.

The user places the adjustable free weight bench in front of the dumbbell spotting machine. Then, they place a pair of dumbbells on the dumbbell spotting machine, so it holds the dumbbells in a safe starting position, while the user performs a dumbbell chest press exercise.

1 Claim, 7 Drawing Sheets

(56) **References Cited**

U.S. PATENT DOCUMENTS

4,637,608 A * 1/1987 Owens A63B 21/4029
482/104

D317,031 S * 5/1991 Ceppo D21/691

D337,007 S * 7/1993 Hanson D6/675.5

D368,747 S * 4/1996 Gifford D21/690

5,616,108 A * 4/1997 Hayden A63B 21/078
482/104

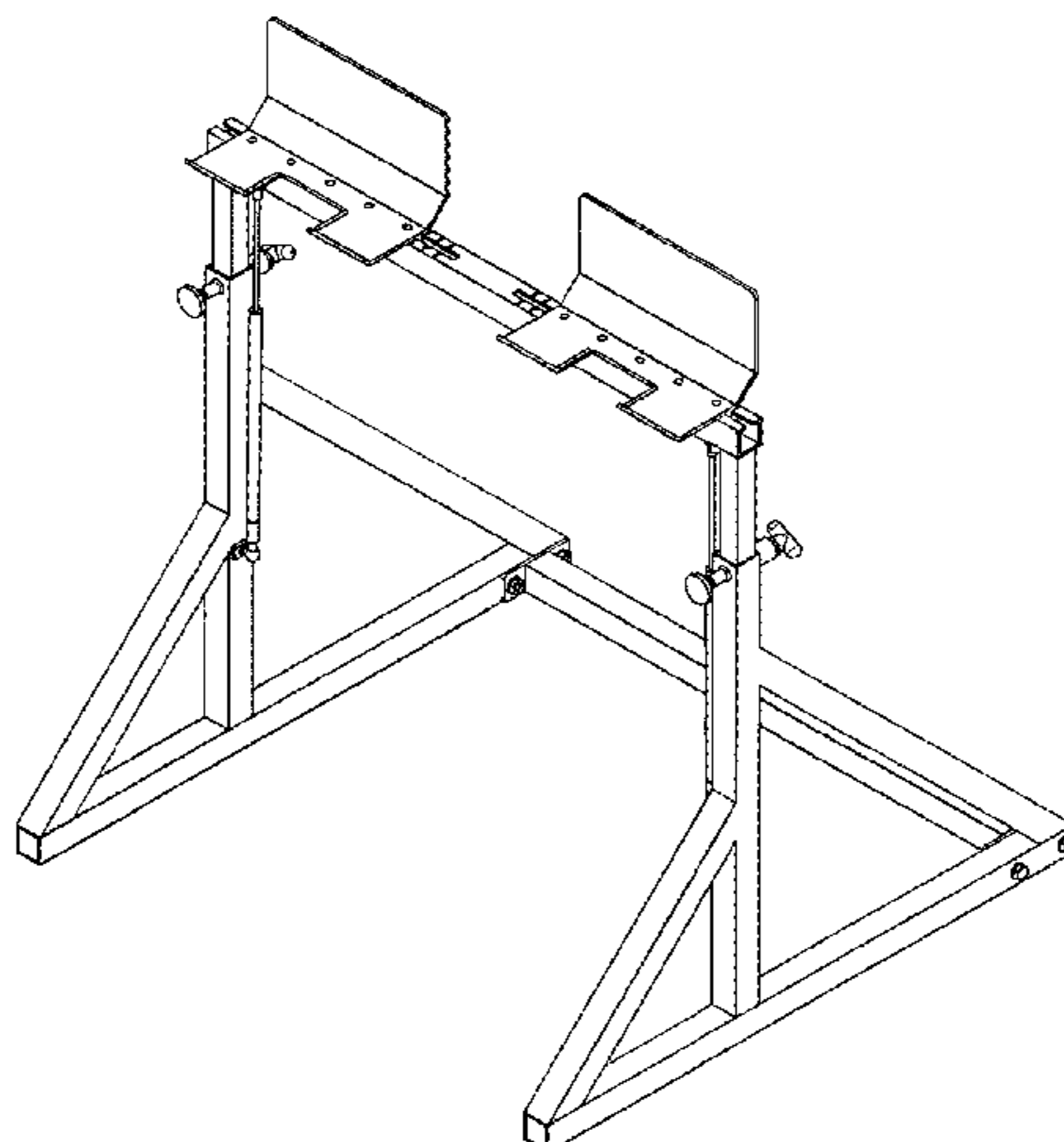
D381,715 S * 7/1997 Reeder D21/691

5,725,460 A * 3/1998 Marsh A63B 21/078
482/104

5,772,561 A * 6/1998 Hayden A63B 21/4029
482/104

D408,480 S * 4/1999 Haugo D21/691

5,924,964 A * 7/1999 Hayden A63B 21/078
482/104



US D755,909 S

Page 2

(56)

References Cited

U.S. PATENT DOCUMENTS

D671,997 S * 12/2012 Lien D21/662
D678,963 S * 3/2013 James D21/676
D686,287 S * 7/2013 Boatwright D21/686
D727,444 S * 4/2015 Dixon D21/690

D731,601 S * 6/2015 Bradley D21/686
2005/0009671 A1* 1/2005 Hummer A63B 21/078
482/94
2009/0286658 A1* 11/2009 James A63B 21/078
482/104

* cited by examiner

FIG. 1

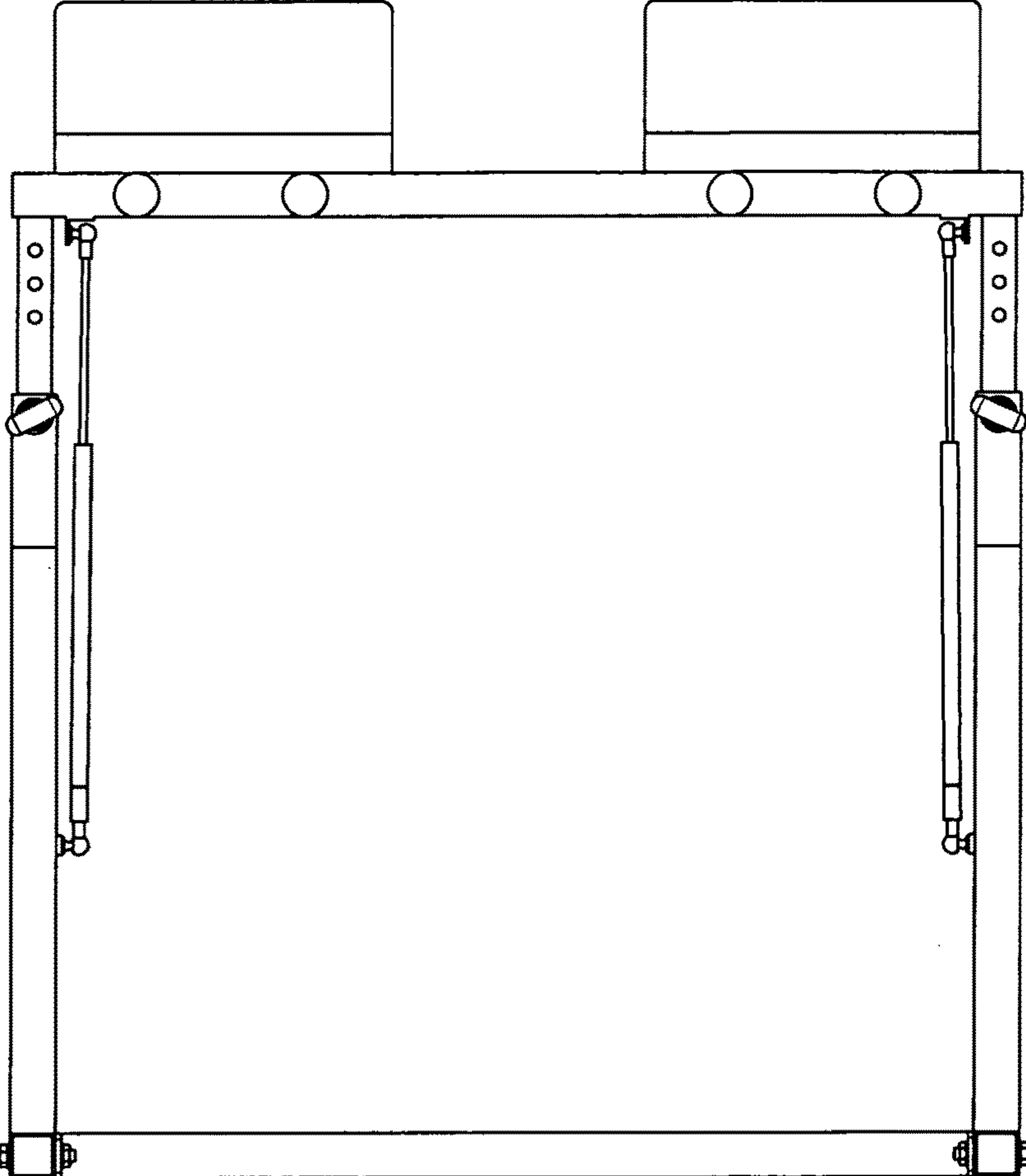


FIG. 2

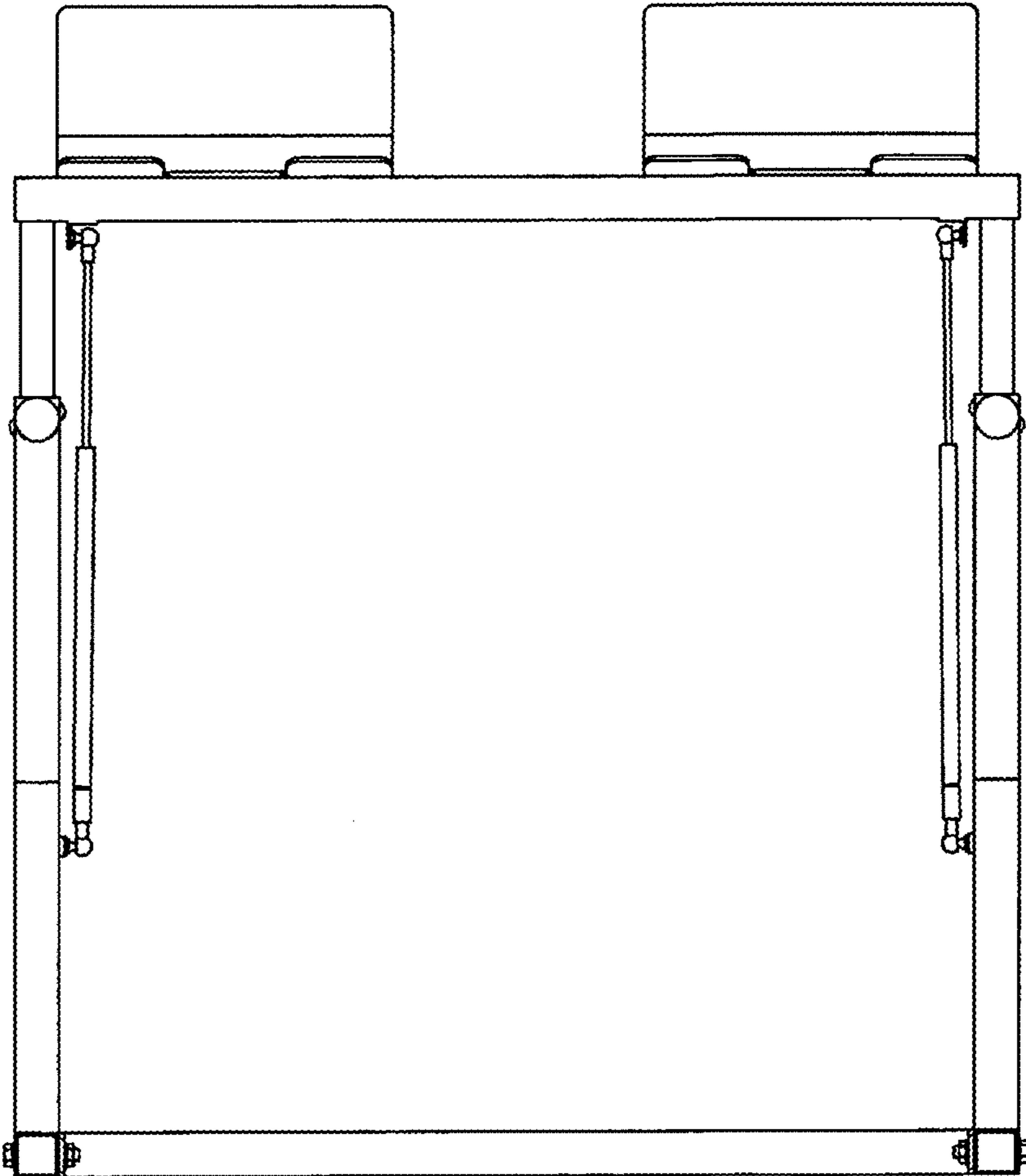


FIG. 3

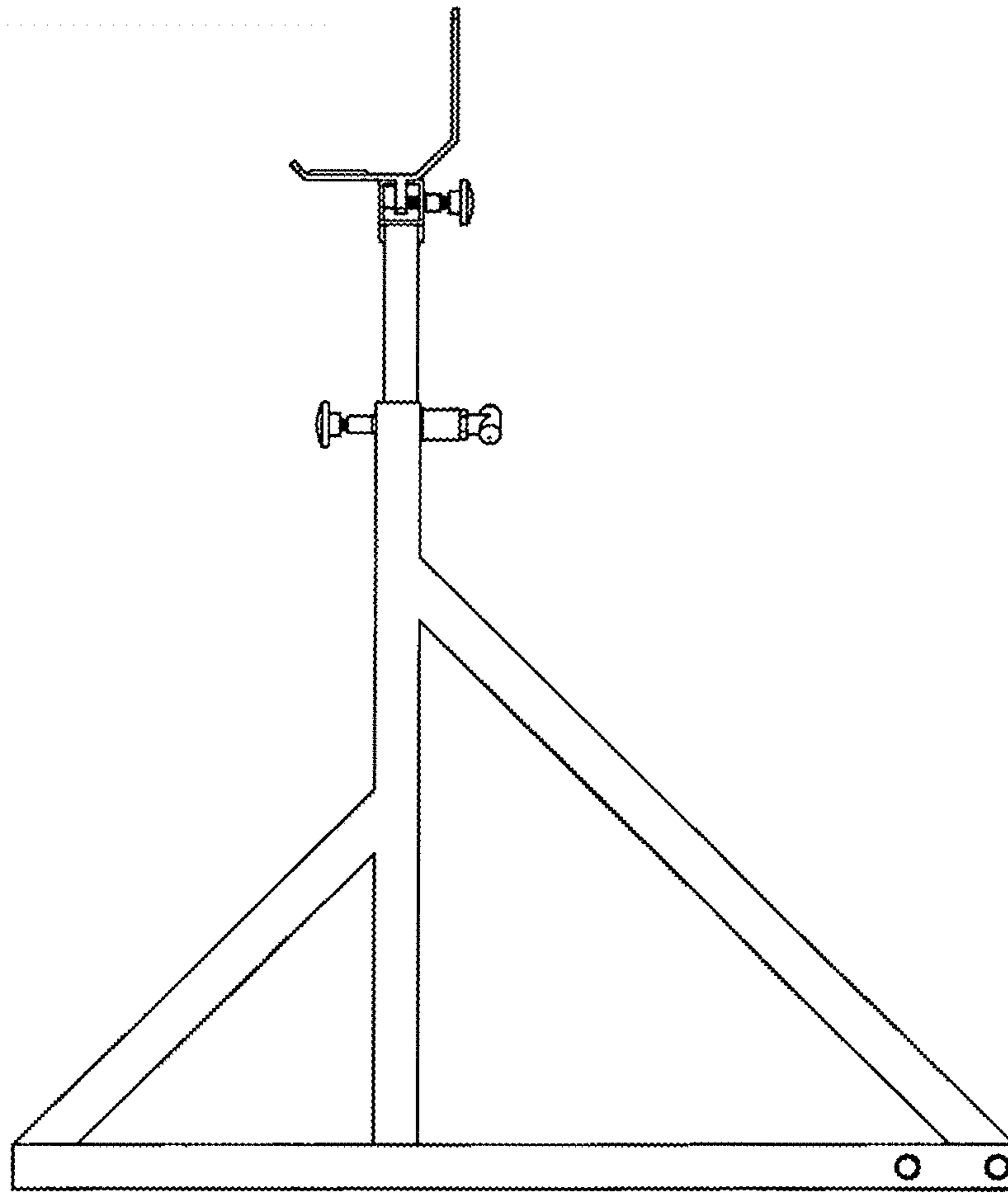


FIG. 4

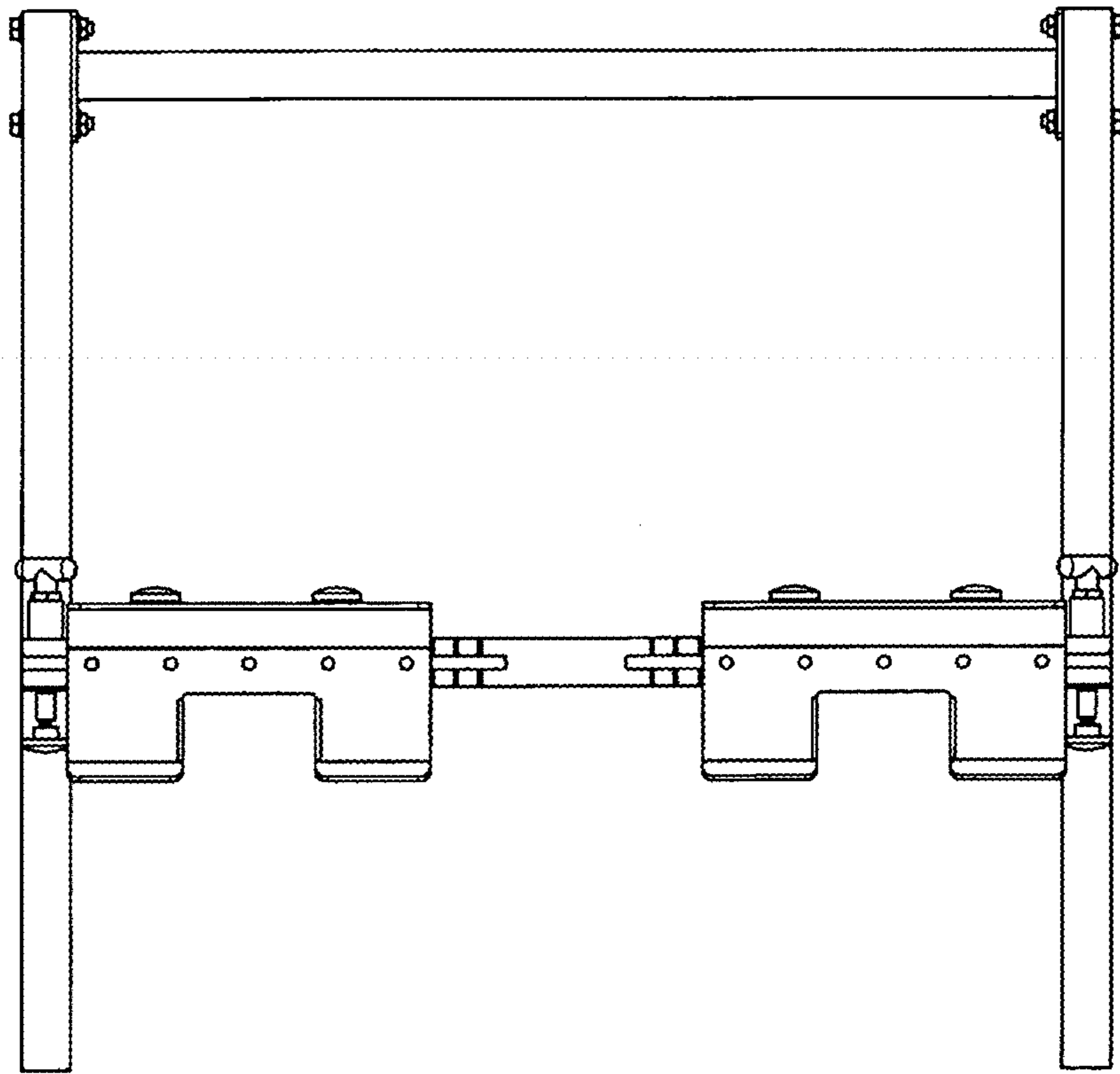


FIG. 5

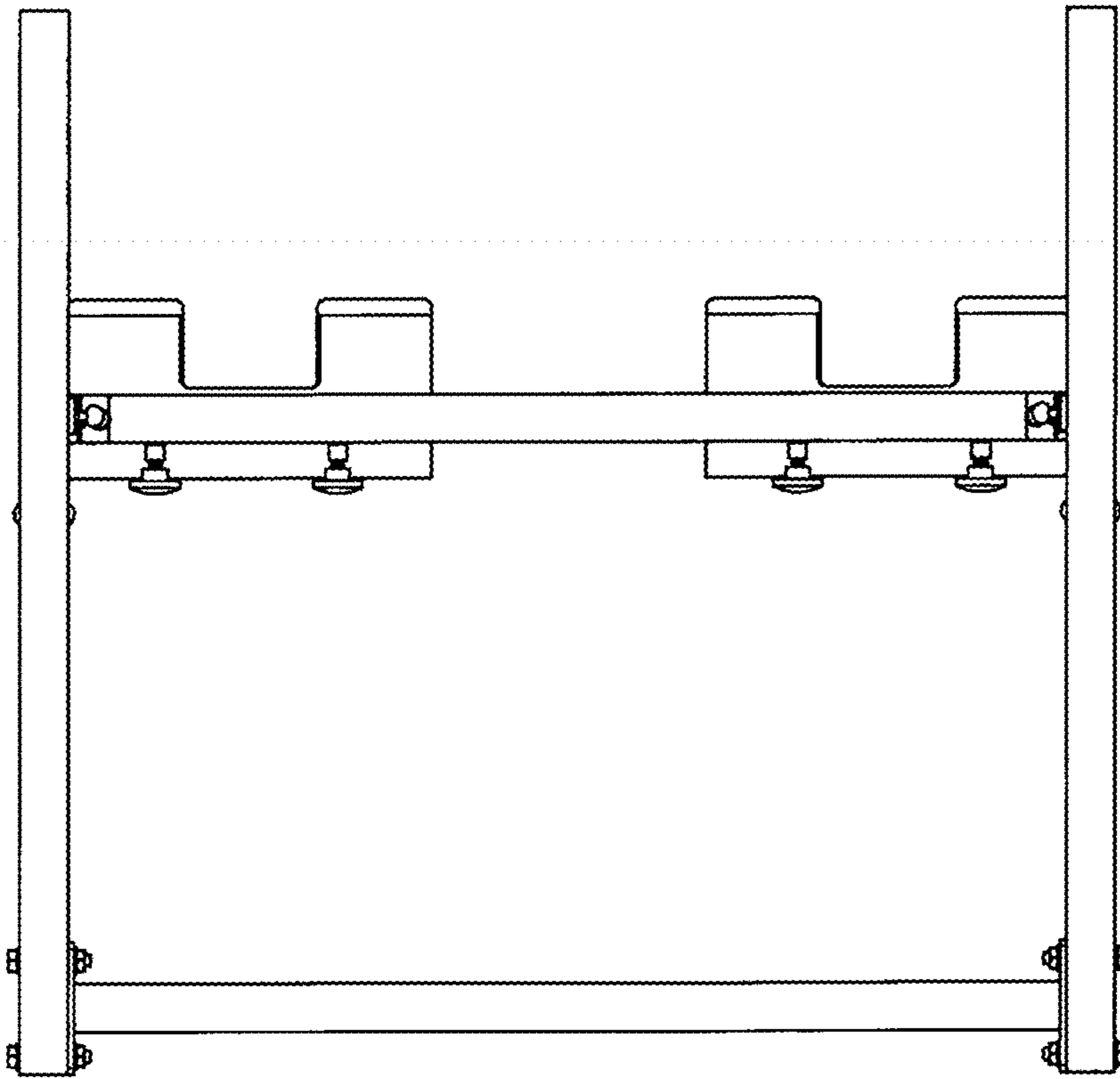


FIG. 6

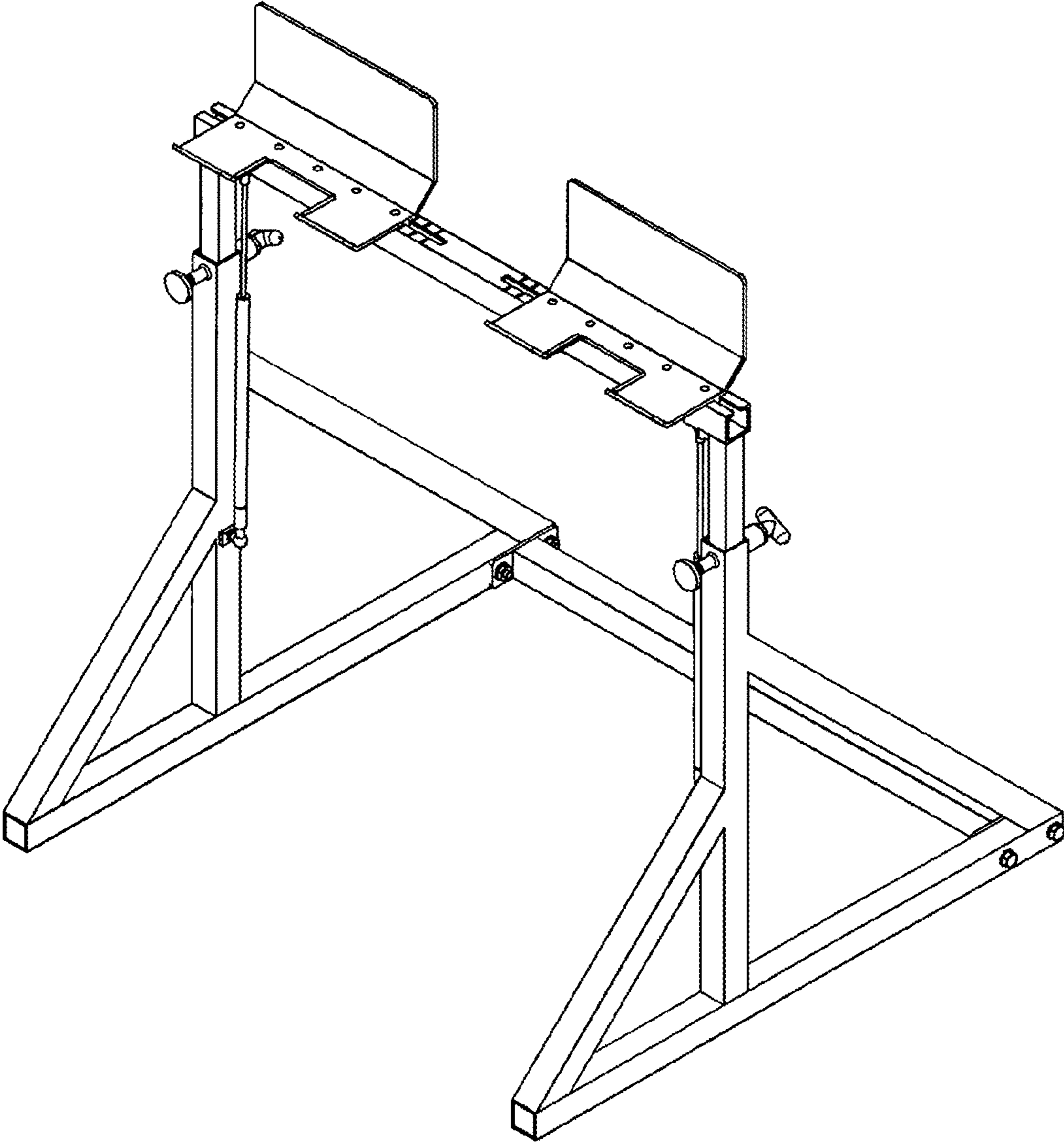


FIG. 7

