



US00D755908S

(12) **United States Design Patent**  
**James**

(10) **Patent No.:** **US D755,908 S**

(45) **Date of Patent:** **\*\* May 10, 2016**

(54) **BELT SQUAT PLATFORM**

(71) Applicant: **Robert W. James**, Rockledge, FL (US)

(72) Inventor: **Robert W. James**, Rockledge, FL (US)

(\*\*) Term: **14 Years**

(21) Appl. No.: **29/474,862**

(22) Filed: **Mar. 2, 2015**

(51) **LOC (10) Cl.** ..... **21-02**

(52) **U.S. Cl.**  
USPC ..... **D21/686**

(58) **Field of Classification Search**

USPC ..... D21/686, 690, 676, 662, 691, 673, 697,  
D21/797, 826, 694, 671, 685, 688, 689;  
482/129, 92, 104, 142, 57, 63, 138, 94,  
482/106, 108, 908, 130, 146, 147, 34, 135,  
482/101, 97, 139, 62, 51, 37, 121, 126, 148,  
482/113, 137; D6/708, 552, 675, 675.5,  
D6/349, 301; D3/307, 273, 276, 298, 277,  
D3/294, 350; D7/510, 511; D12/114, 411,  
D12/414.1; D25/1, 33, 126  
CPC ..... A63B 22/0605; A63B 21/4029; A63B  
23/0211; A63B 21/225; A63B 21/4035;  
A63B 21/078

See application file for complete search history.

(56) **References Cited**

**U.S. PATENT DOCUMENTS**

D290,281 S \* 6/1987 Ringel ..... D21/691  
D325,609 S \* 4/1992 Cheng ..... D21/689  
D337,007 S \* 7/1993 Hanson ..... D6/675.5  
D368,747 S \* 4/1996 Gifford ..... D21/690  
D401,985 S \* 12/1998 Wheeler ..... D21/686  
D408,480 S \* 4/1999 Haugo ..... D21/691

D422,325 S \* 4/2000 Broudy ..... D21/689  
D495,015 S \* 8/2004 Tudico ..... D21/662  
D520,083 S \* 5/2006 Lu ..... D21/685  
D538,358 S \* 3/2007 Glier ..... D21/662  
D548,291 S \* 8/2007 Chiang ..... D21/662  
7,374,522 B2 \* 5/2008 Arnold ..... A63B 21/005  
482/146  
D585,505 S \* 1/2009 Wu ..... D21/662  
D597,614 S \* 8/2009 Goddard ..... D21/686  
D635,623 S \* 4/2011 Wright ..... D21/686  
D640,334 S \* 6/2011 Aboody ..... D21/662  
8,221,295 B2 \* 7/2012 Wilkins ..... A63B 5/00  
482/130  
D731,601 S \* 6/2015 Bradley ..... D21/686  
D735,819 S \* 8/2015 Louis ..... D21/686

\* cited by examiner

*Primary Examiner* — Robert M Spear

*Assistant Examiner* — Ryan Harvey

(57) **CLAIM**

I claim the ornamental design for a belt squat platform, as shown and described.

**DESCRIPTION**

FIG. 1 is a rear elevational view of the belt squat platform showing my new design;  
FIG. 2 is a front elevational view thereof;  
FIG. 3 is a right side elevational view thereof;  
FIG. 4 is a top plan view thereof;  
FIG. 5 is a bottom plan view thereof;  
FIG. 6 is a front perspective view thereof; and,  
FIG. 7 is a rear perspective view thereof.

The user stands on the platform with a specially designed belt around their waist. There is a chain that hangs from the belt, down through the deck of the platform, connected to a specially designed loading pin, that holds the weights.

**1 Claim, 7 Drawing Sheets**

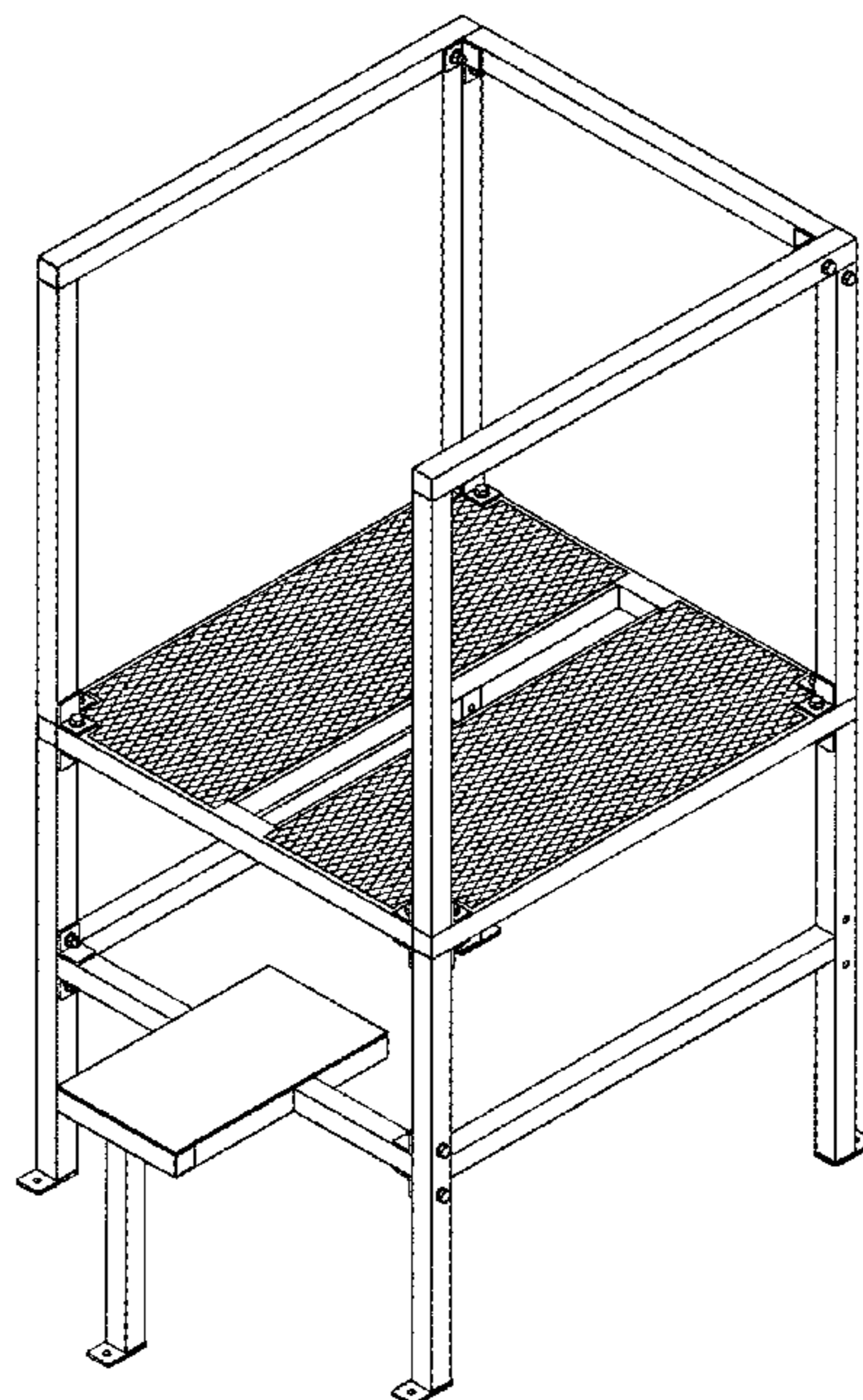


FIG. 1

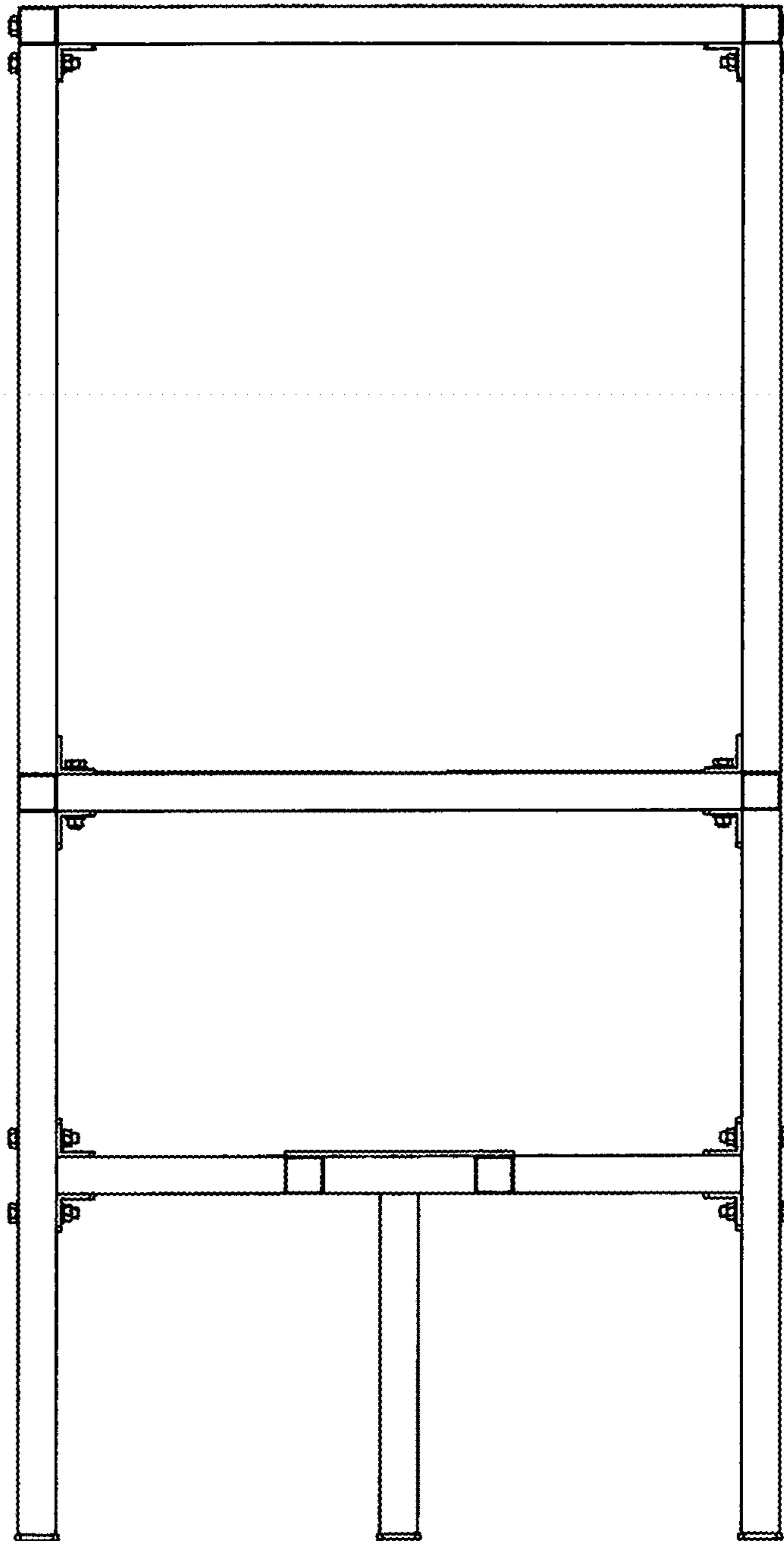


FIG. 2

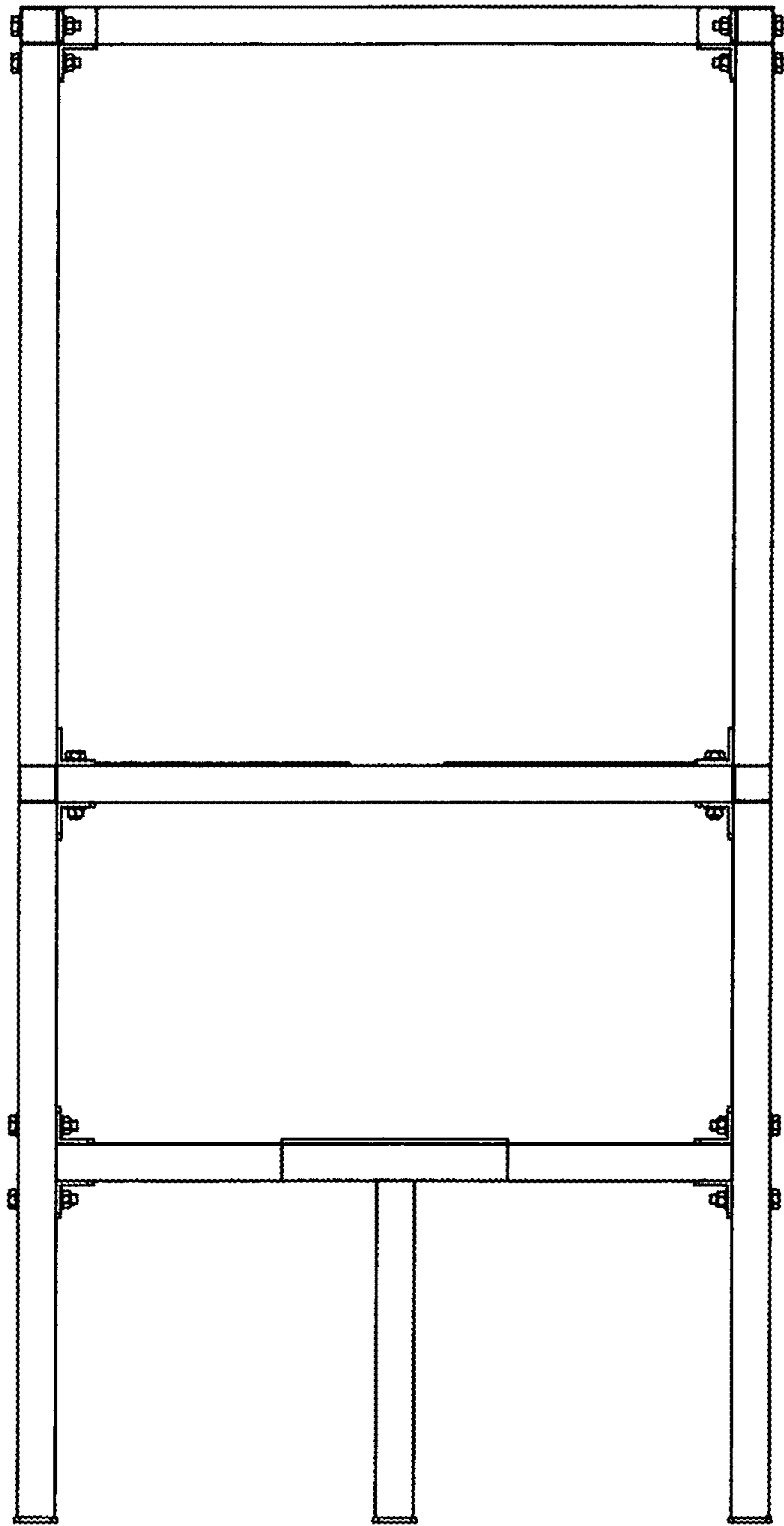


FIG. 3

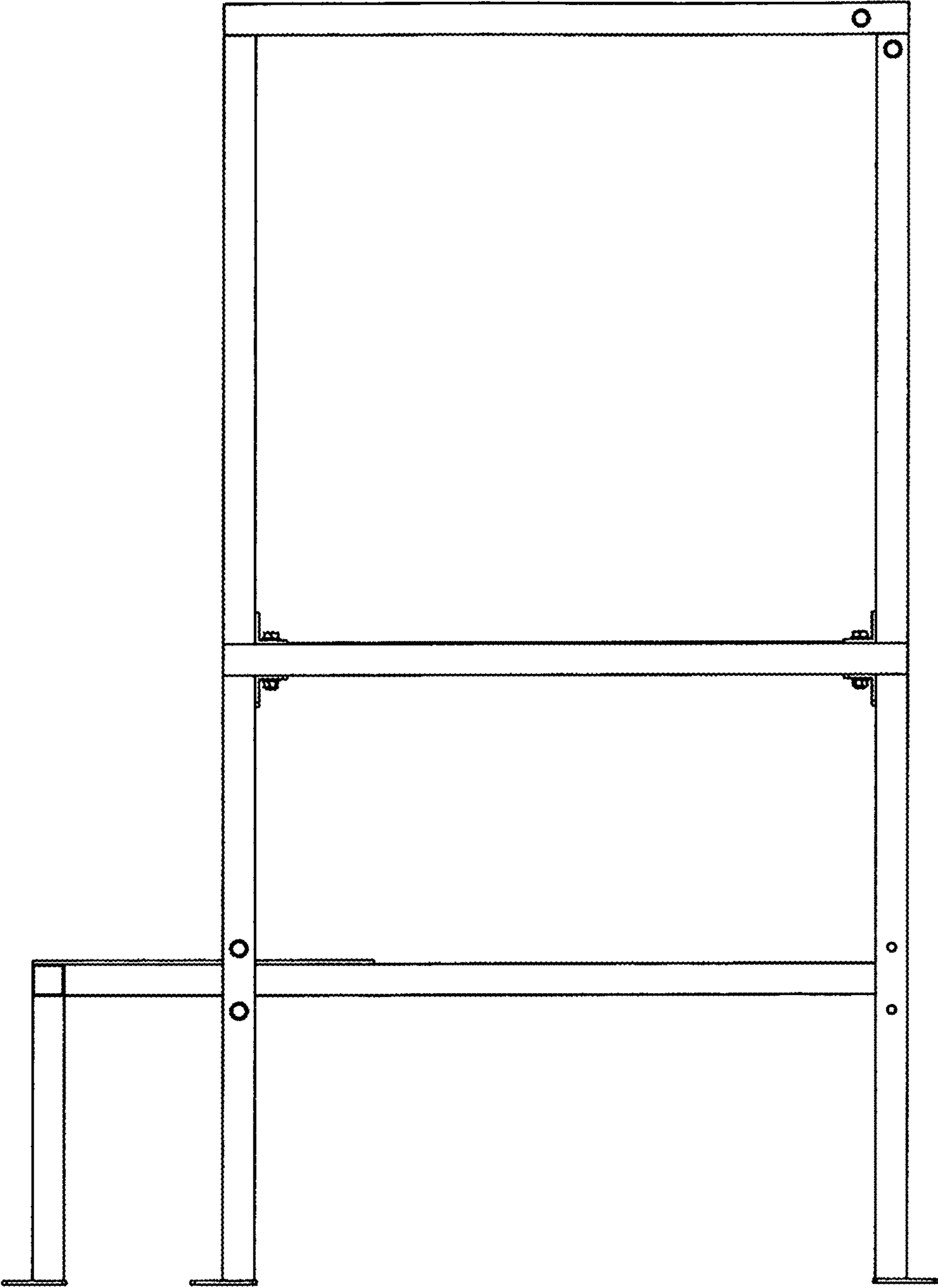




FIG. 4

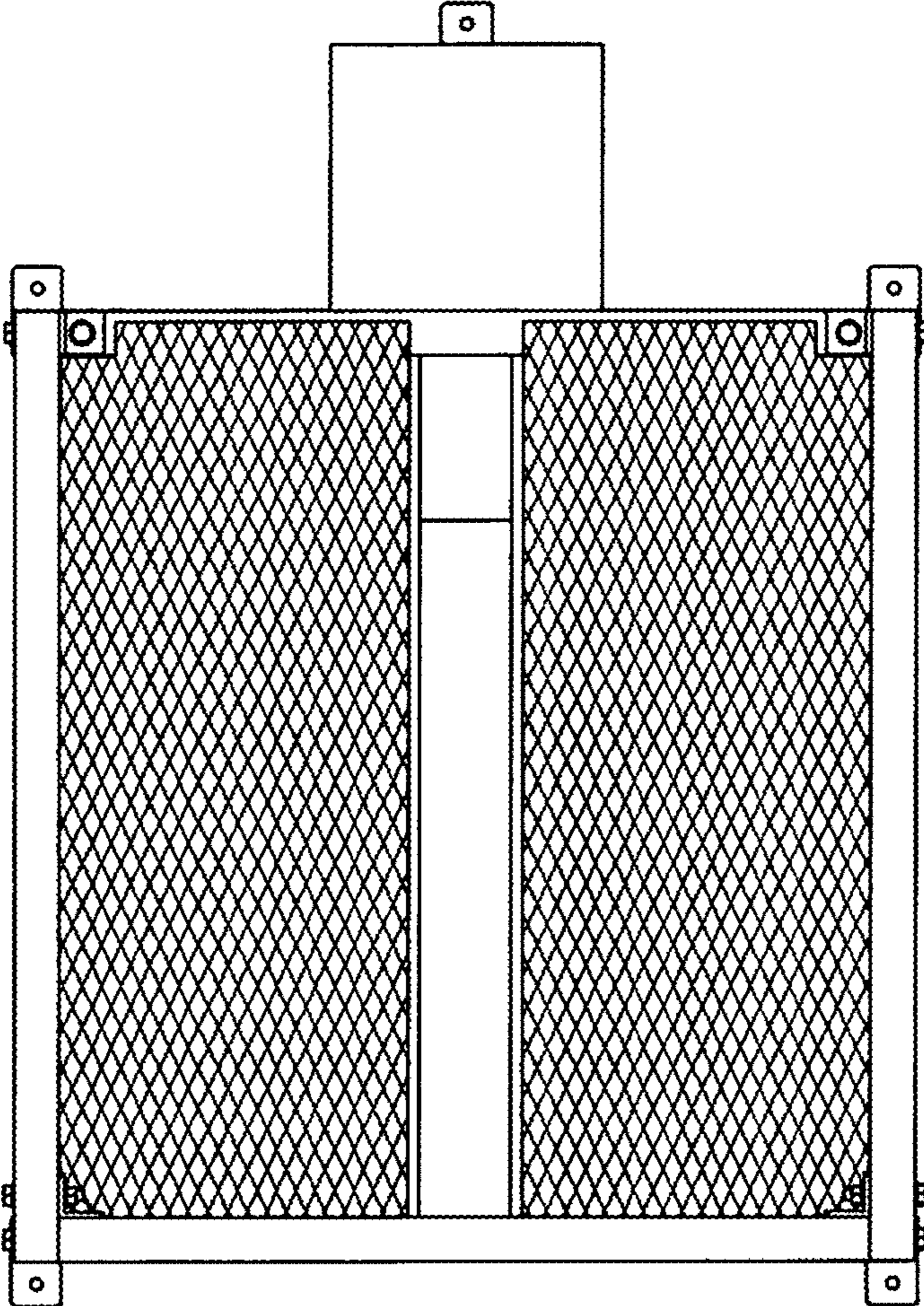


FIG. 5

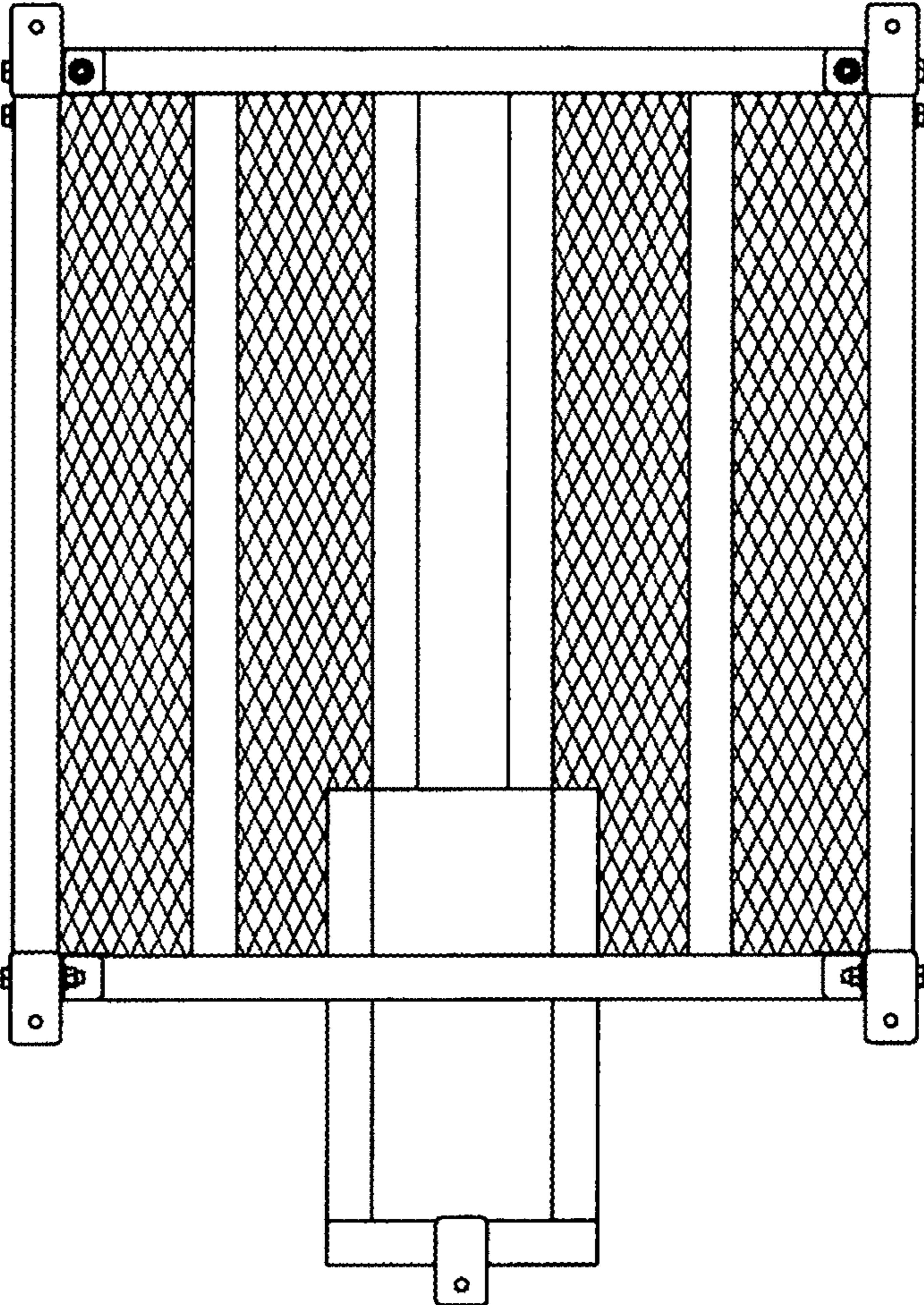




FIG. 6

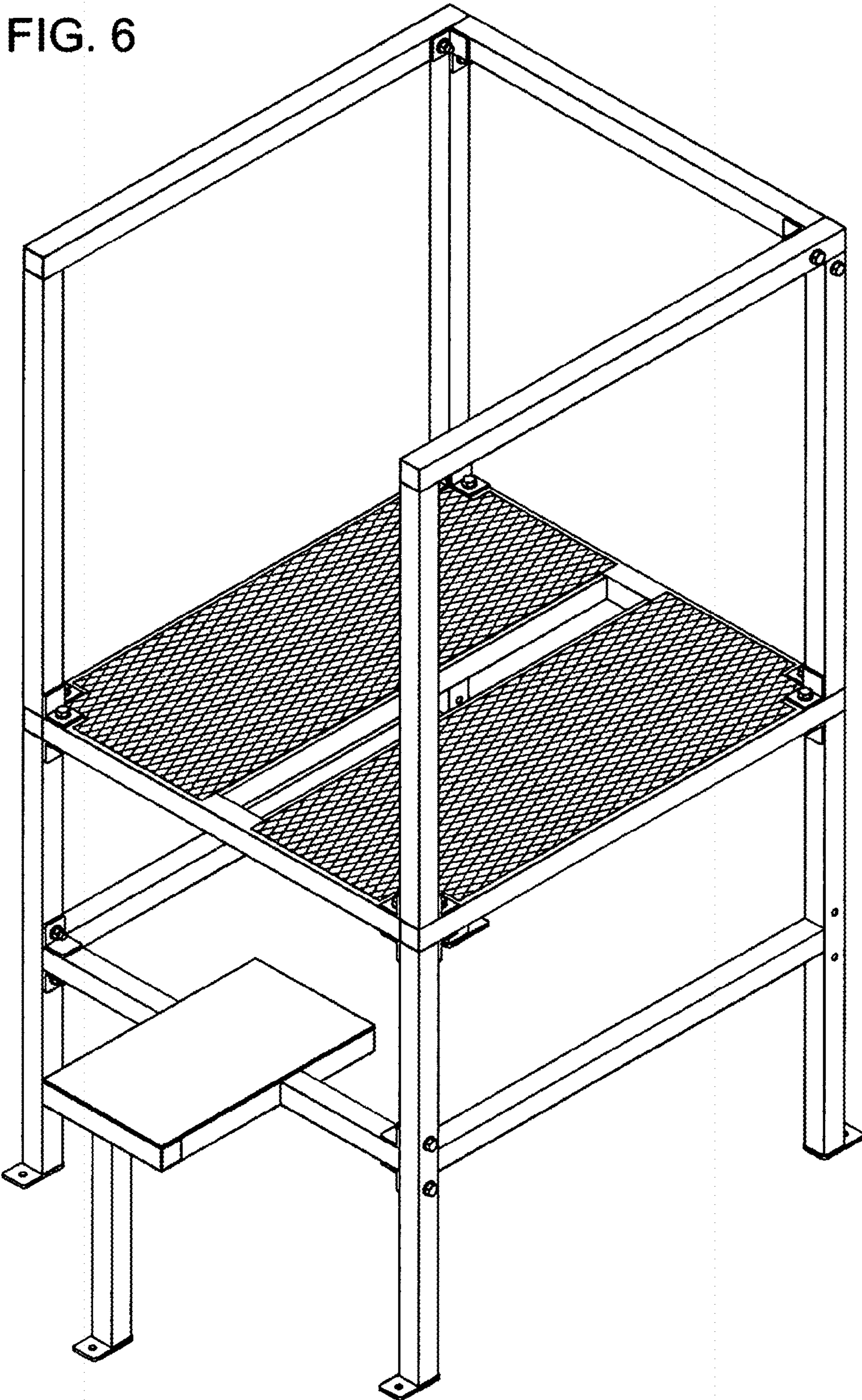


FIG. 7

