



US00D755907S

(12) **United States Design Patent**
Hu

(10) **Patent No.:** **US D755,907 S**
(45) **Date of Patent:** **** May 10, 2016**

(54) **TOY GUN**
(71) Applicant: **Shih-Che Hu**, Tainan (TW)
(72) Inventor: **Shih-Che Hu**, Tainan (TW)
(**) Term: **14 Years**
(21) Appl. No.: **29/522,017**
(22) Filed: **Mar. 26, 2015**
(51) **LOC (10) Cl.** **21-01**
(52) **U.S. Cl.**
USPC **D21/574; D22/104**
(58) **Field of Classification Search**
USPC D21/567, 570-575; D22/100, 101, 103,
D22/104, 108, 109; 124/41.1, 45, 49, 50,
124/51.1, 55, 56, 69, 70-79, 80, 82; 42/54;
446/401, 405, 406
CPC F41C 3/00; F41C 3/005; F41C 3/02;
F41C 3/04; F41C 3/06; F41C 3/14; F41C
3/16; F41C 9/02; F41C 9/04; F41C 9/06;
F41C 9/08
See application file for complete search history.

D599,430 S * 9/2009 Siddle D22/108
7,726,293 B2 * 6/2010 Wei F41B 11/723
124/73
D627,028 S * 11/2010 Coulombier D22/104
D676,094 S 2/2013 Hu
D681,131 S * 4/2013 Su D21/574
D690,374 S * 9/2013 Lee D21/574
D744,049 S * 11/2015 Chu D21/574

OTHER PUBLICATIONS

US Trademark with US Registration No. 2807745; Registration Date: Jan. 27, 2004.
US Trademark with US Registration No. 2807747; Registration Date: Jan. 27, 2004.

* cited by examiner

Primary Examiner — Cynthia M Chin
(74) *Attorney, Agent, or Firm* — Raymond Chan

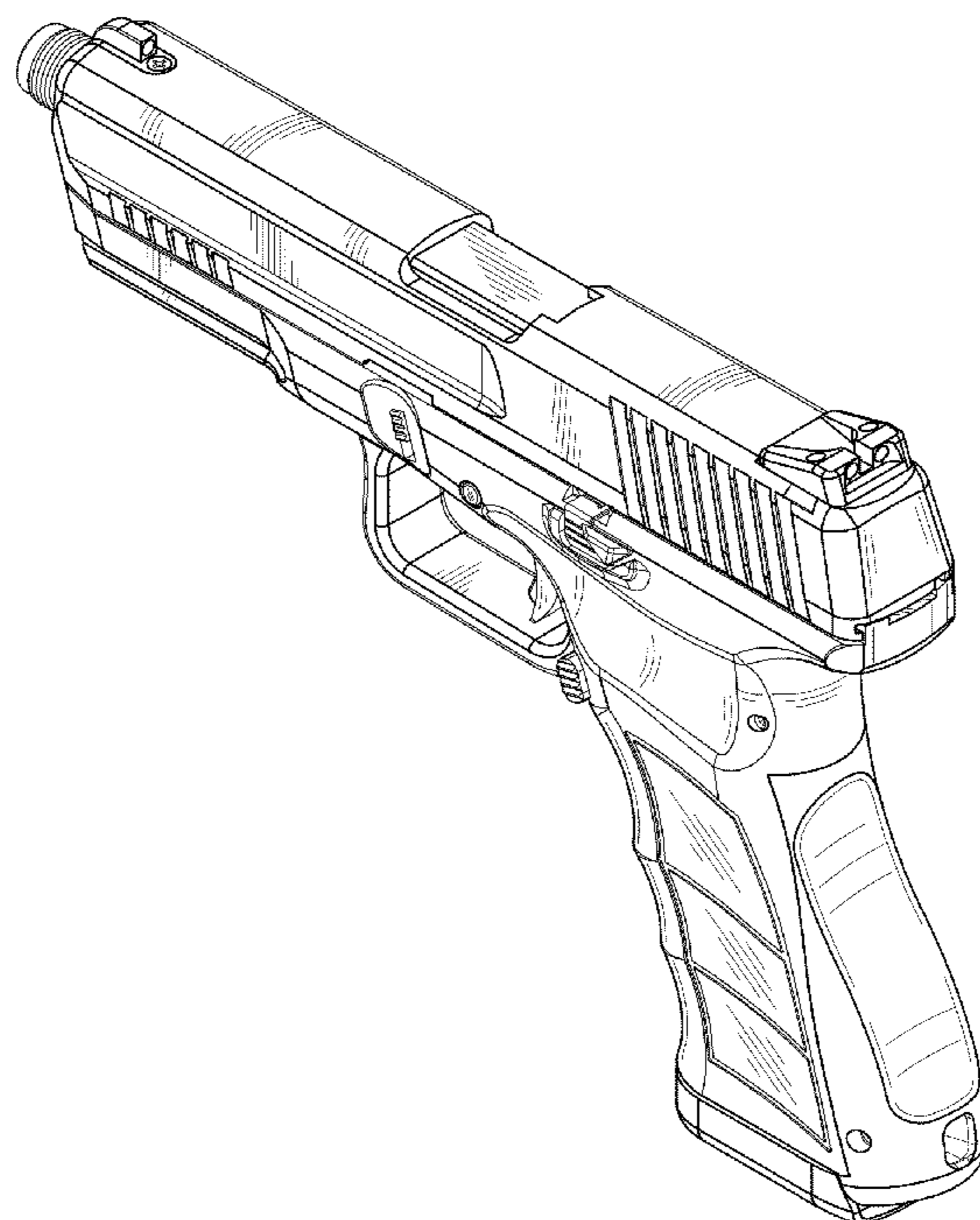
(57) **CLAIM**
The ornamental design for a toy gun, as shown and described.

DESCRIPTION

FIG. 1 is a perspective view of toy gun showing my new design.
FIG. 2 is a left view thereof.
FIG. 3 is a right view thereof.
FIG. 4 is a front view thereof.
FIG. 5 is a rear view thereof.
FIG. 6 is a top view thereof; and,
FIG. 7 is a bottom view thereof.

1 Claim, 5 Drawing Sheets

(56) **References Cited**
U.S. PATENT DOCUMENTS
D359,098 S * 6/1995 Stevens D22/104
D387,842 S * 12/1997 Kaminski D22/100
D516,661 S * 3/2006 McGarry D22/104
D570,925 S * 6/2008 Wu D21/574
D583,896 S * 12/2008 McGarry D22/104
D593,629 S * 6/2009 Bantle D22/104
D598,065 S * 8/2009 Vukovic D22/104



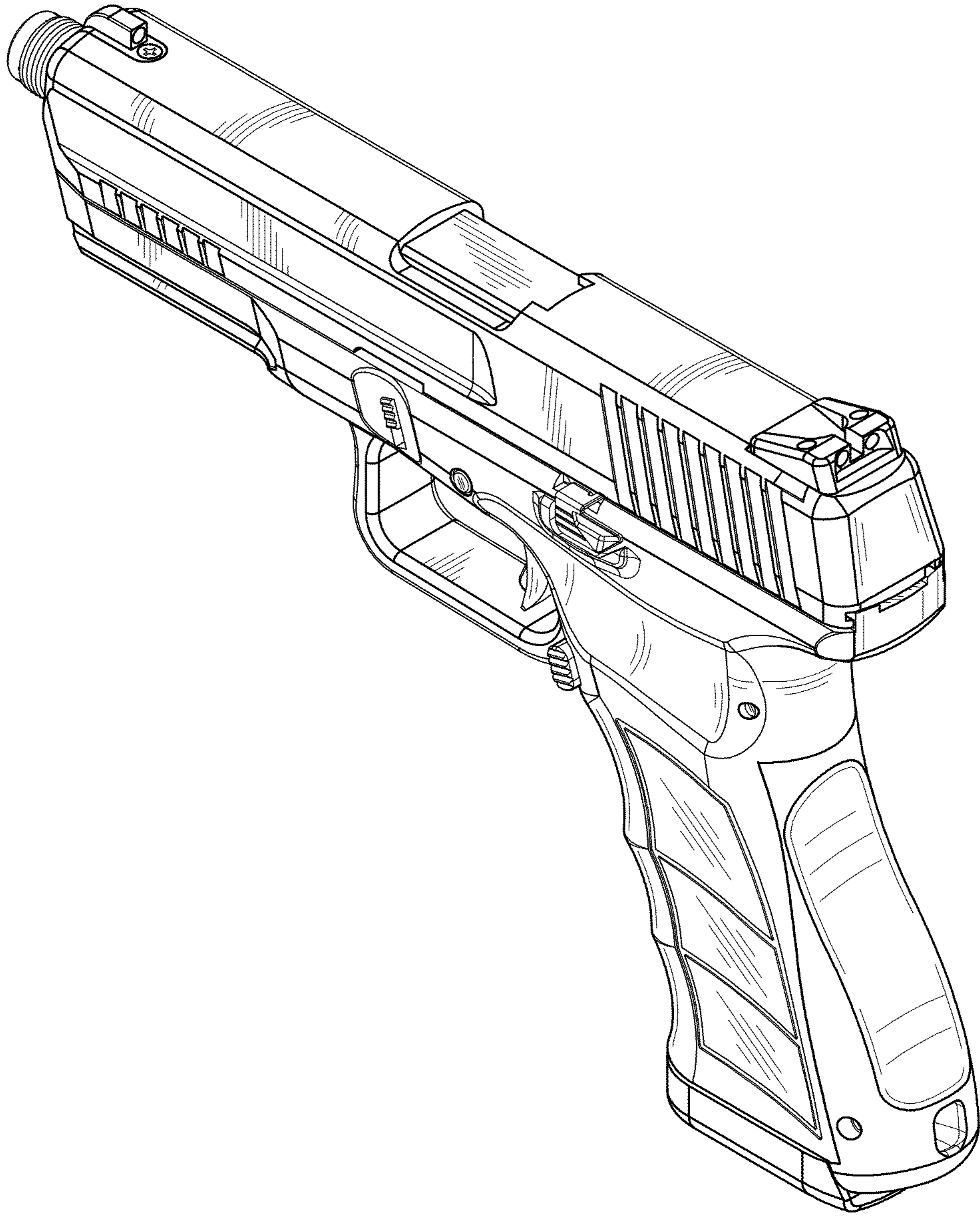


FIG. 1

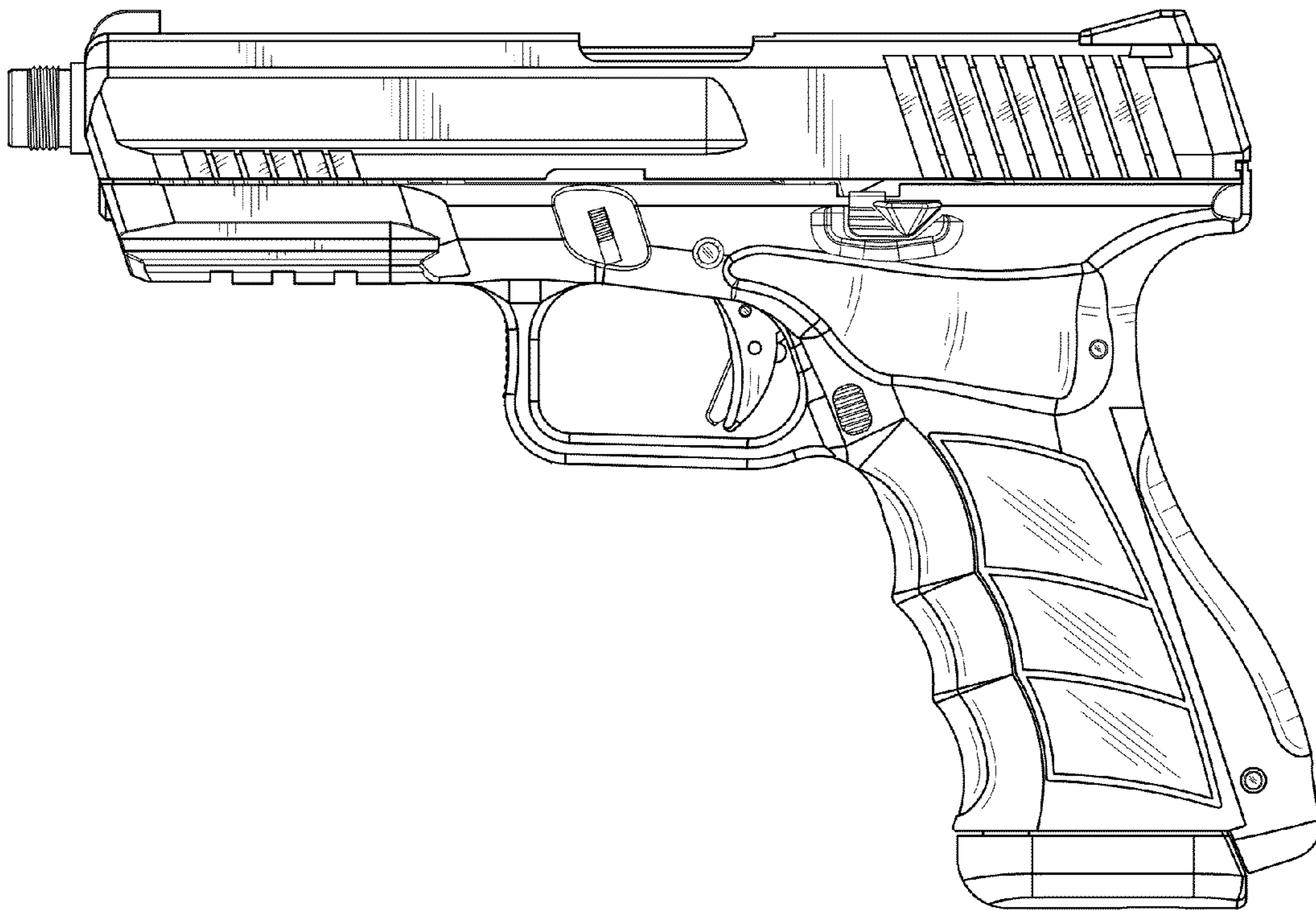


FIG. 2

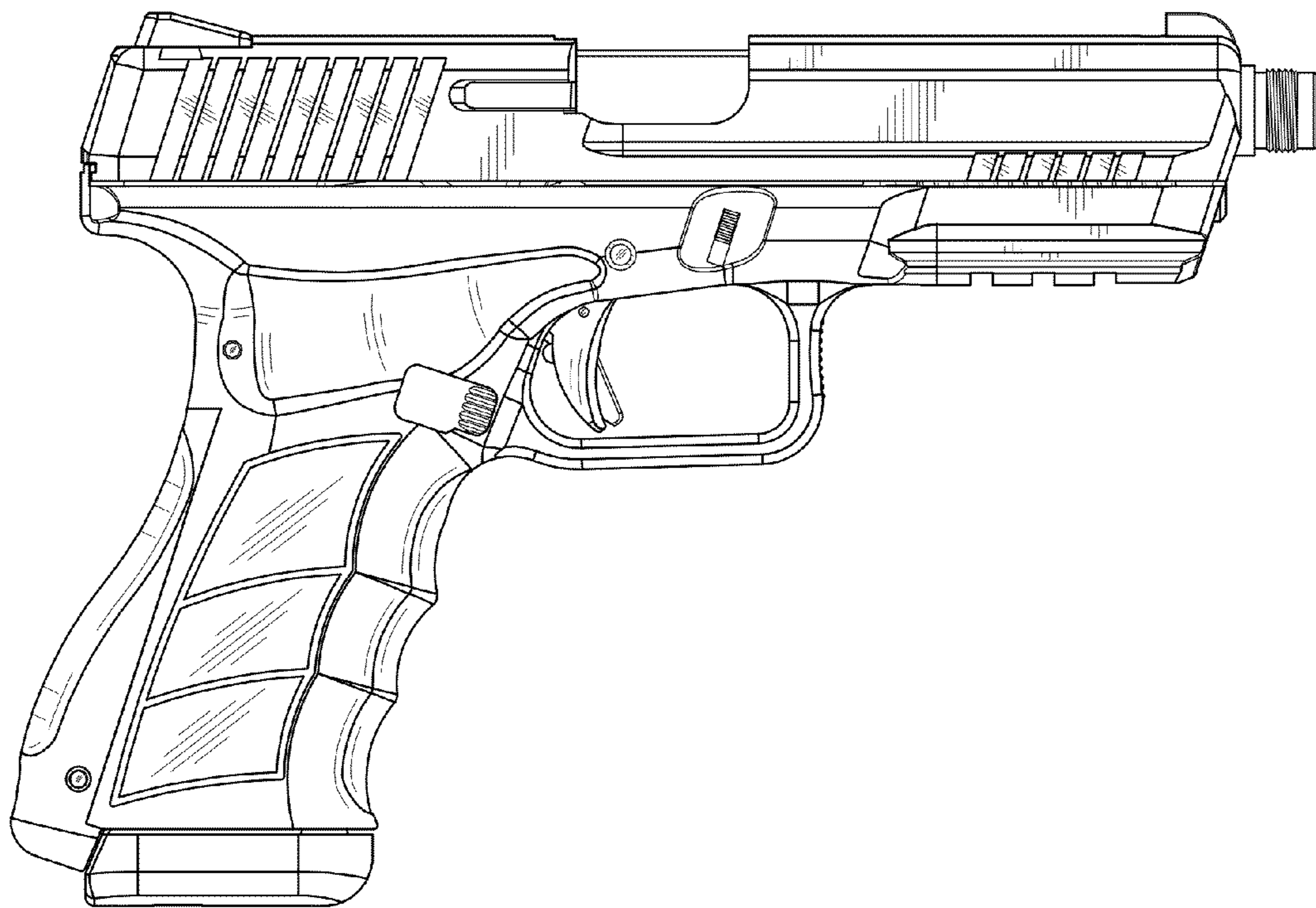


FIG. 3

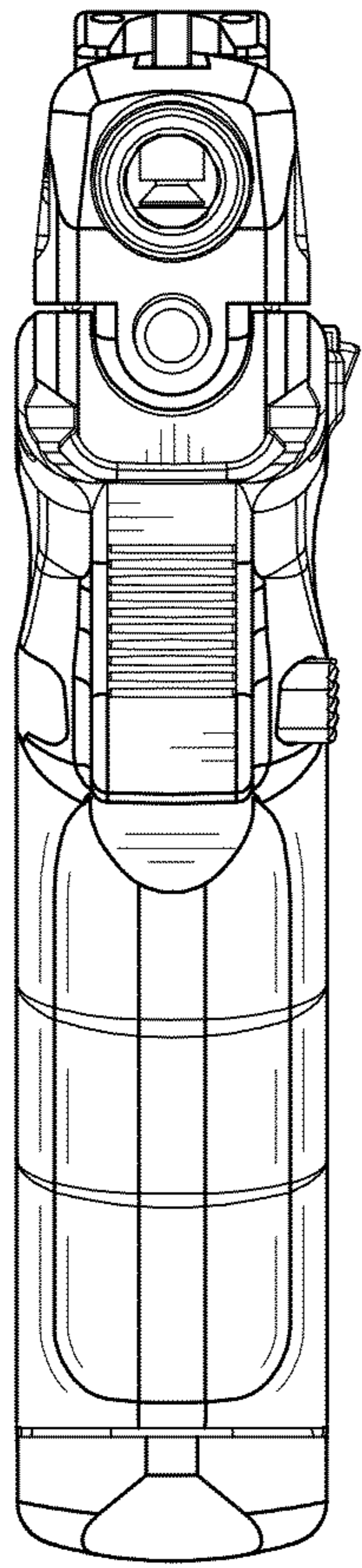


FIG. 4

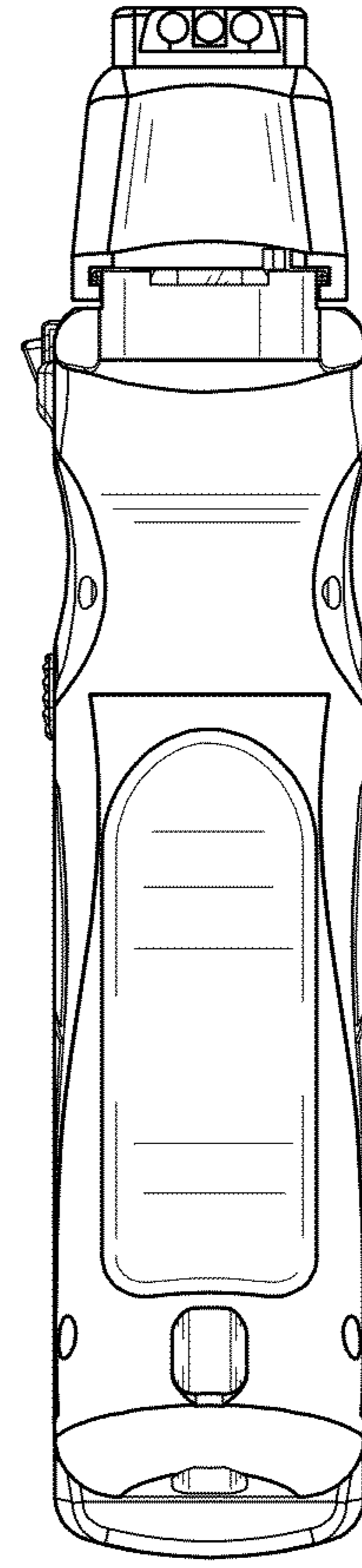


FIG. 5

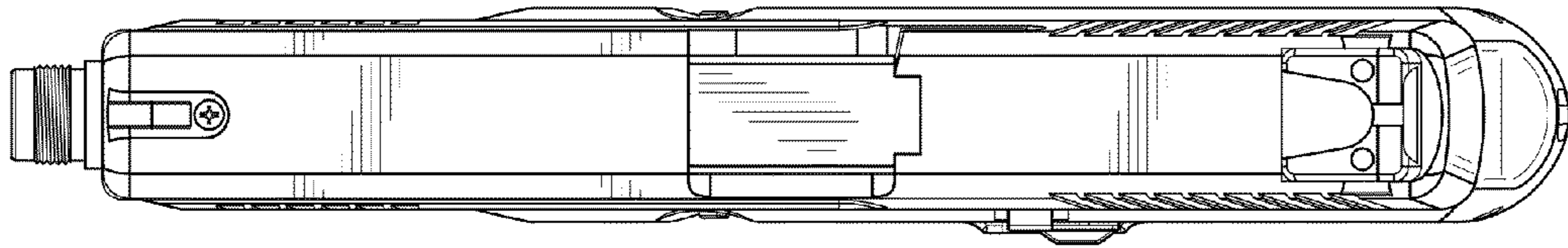


FIG. 6

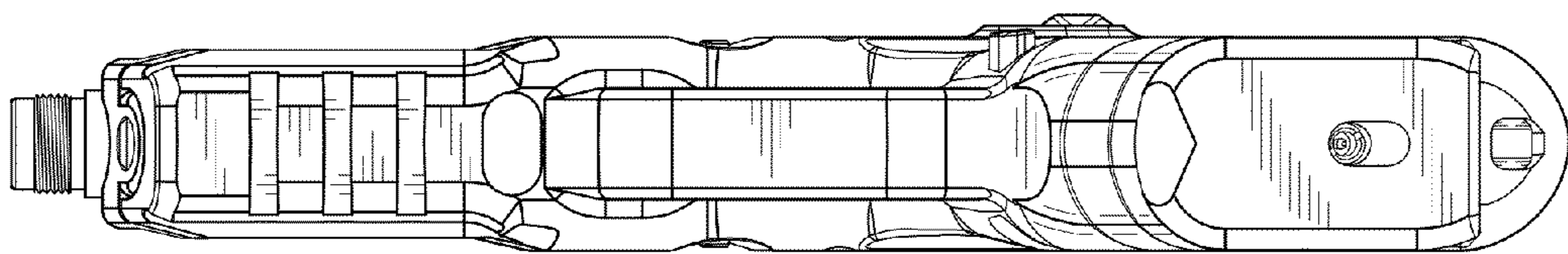


FIG. 7