



US00D755906S

(12) **United States Design Patent**
Newey

(10) **Patent No.:** **US D755,906 S**
(45) **Date of Patent:** **** May 10, 2016**

(54) **TOY VEHICLE**

(71) Applicant: **Adrian Newey**, Milton Keynes (GB)

(72) Inventor: **Adrian Newey**, Milton Keynes (GB)

(73) Assignee: **RED BULL GMBH**, Fuschl am See (AT)

(**) Term: **14 Years**

(21) Appl. No.: **29/516,711**

(22) Filed: **Feb. 5, 2015**

(30) **Foreign Application Priority Data**

Aug. 6, 2014 (EM) 002515544-0002

(51) **LOC (10) Cl.** **21-01**

(52) **U.S. Cl.**
USPC **D21/550**

(58) **Field of Classification Search**
USPC D21/398, 533, 548, 560, 578-581, 615,
D21/650; 446/154, 164, 231, 233, 236-242,
446/265, 266, 273, 437, 462, 465, 470;
D12/88, 92, 108

CPC ... A63H 17/26; A63H 17/262; A63H 17/264;
A63H 17/266; A63H 17/36; A63H 17/38;
A63H 29/00; A63H 29/22; A63H 29/24;
A63H 30/04

See application file for complete search history.

(56) **References Cited**

U.S. PATENT DOCUMENTS

D231,544 S * 4/1974 Coppuck D12/92
D260,913 S * 9/1981 Chapman D12/88
D268,940 S * 5/1983 Head D12/88

D311,038 S * 10/1990 Head D21/550
D318,888 S * 8/1991 Yoshino D21/550
D319,853 S * 9/1991 Southgate D21/549
D368,743 S * 4/1996 Amburgey D12/108
D397,380 S * 8/1998 Araki D21/550
D438,144 S * 2/2001 Hettler D12/88
D465,814 S * 11/2002 Koveleski D21/433
D496,075 S * 9/2004 Byrne D21/550
D506,415 S * 6/2005 Byrne D12/88
D528,041 S * 9/2006 Costa D12/88
D531,233 S * 10/2006 Proch D21/433
D552,510 S * 10/2007 Costa D12/88
D568,419 S * 5/2008 Tombazis D21/549
D571,413 S * 6/2008 Martino D21/550
D577,314 S * 9/2008 Taylor D12/88

* cited by examiner

Primary Examiner — Cynthia M Chin

(74) *Attorney, Agent, or Firm* — TechMark a Law Corp.;
Martin R. Greenstein

(57) **CLAIM**

The ornamental design for a toy vehicle, as shown and described.

DESCRIPTION

FIG. 1 is a front, right perspective view of the toy vehicle according to the present invention;

FIG. 2 is an enlarged front view of the toy vehicle as shown in FIG. 1;

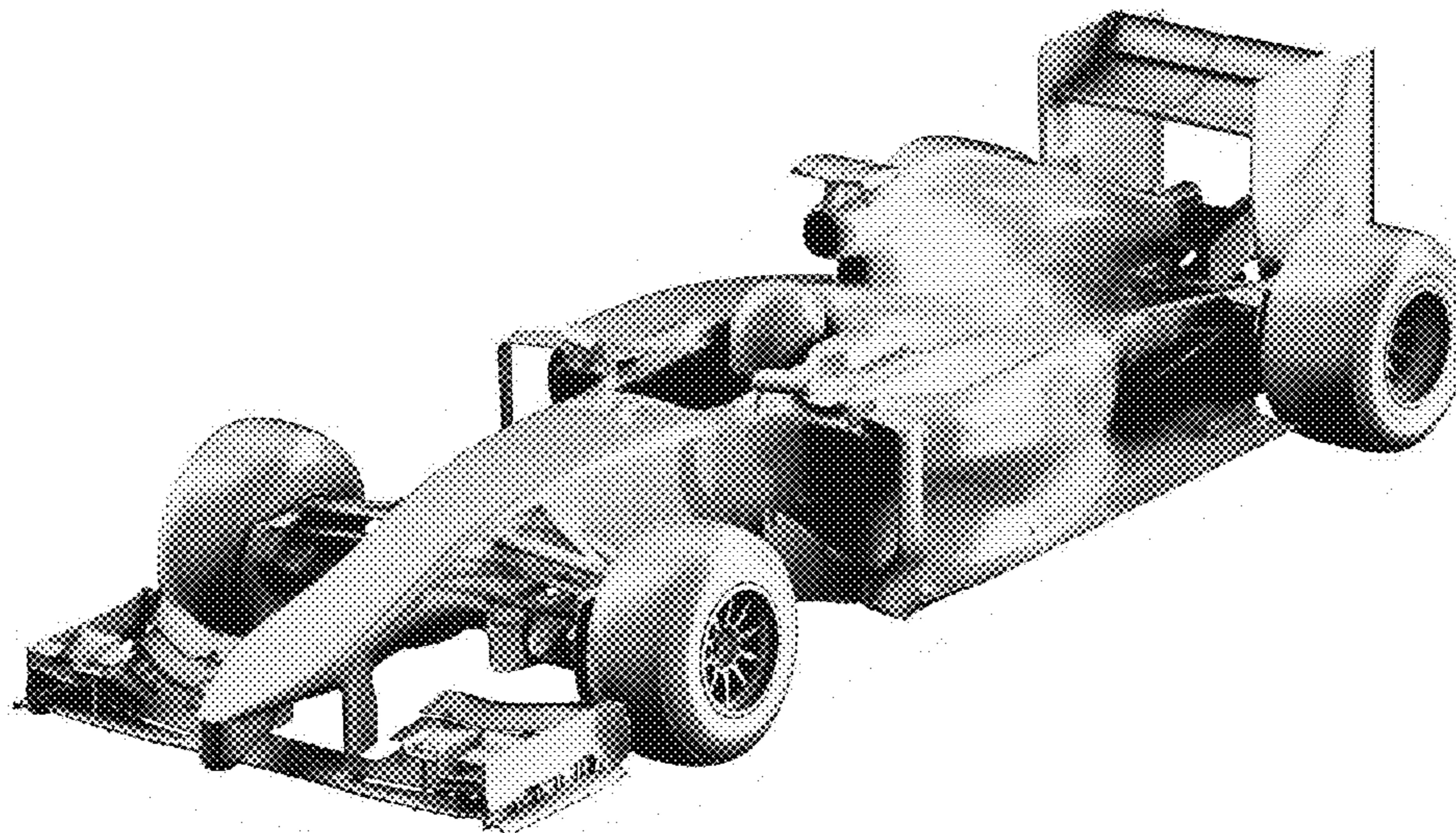
FIG. 3 is an enlarged rear view of the toy vehicle as shown in FIG. 1;

FIG. 4 is a right side view of the toy vehicle as shown in FIG. 1;

FIG. 5 is a left side view of the toy vehicle as shown in FIG. 1;

FIG. 6 is a top view of the toy vehicle as shown in FIG. 1; and,
FIG. 7 is a bottom view of the toy vehicle as shown in FIG. 1.

1 Claim, 7 Drawing Sheets



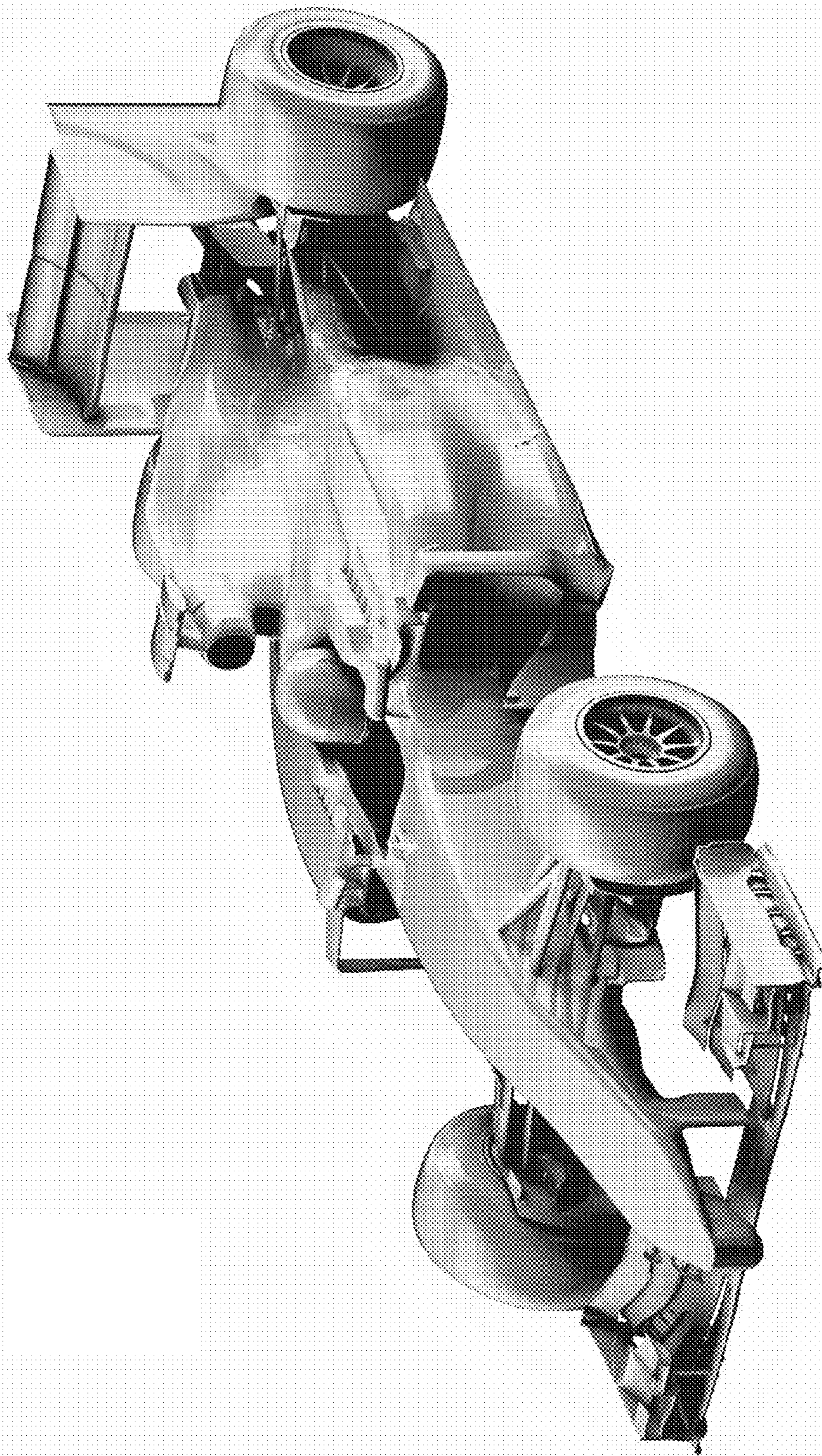


FIG. 1

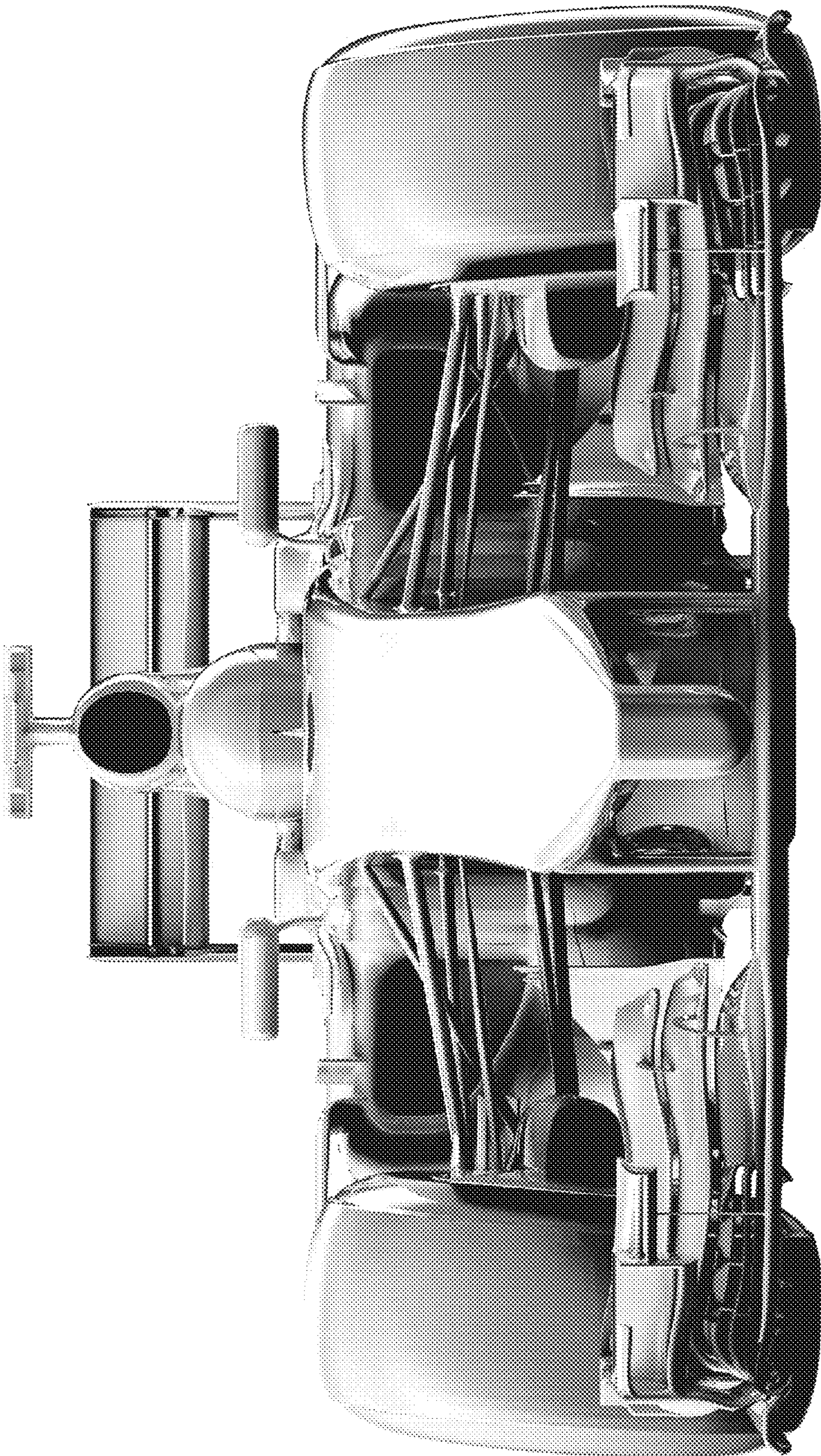


FIG. 2

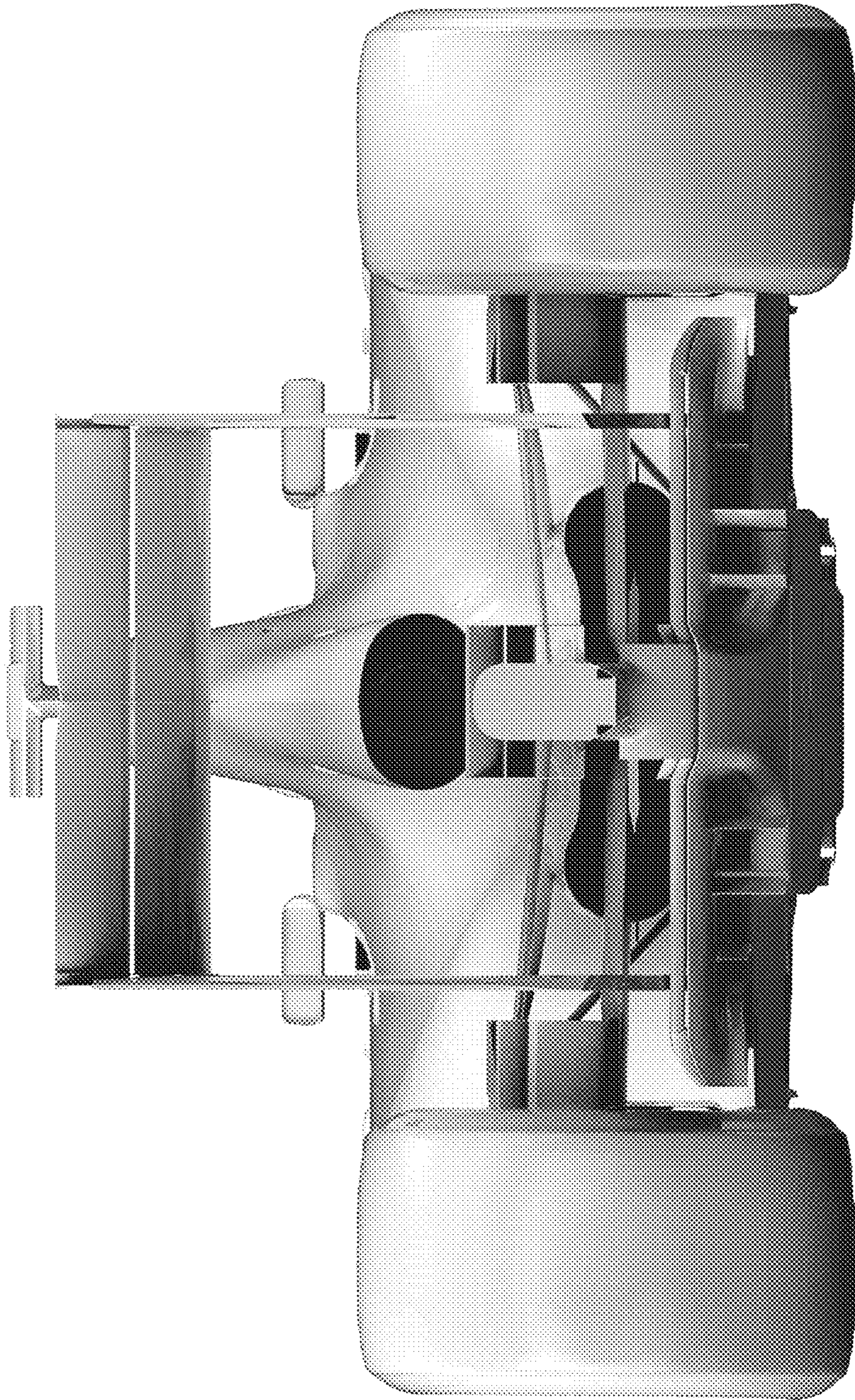


FIG. 3

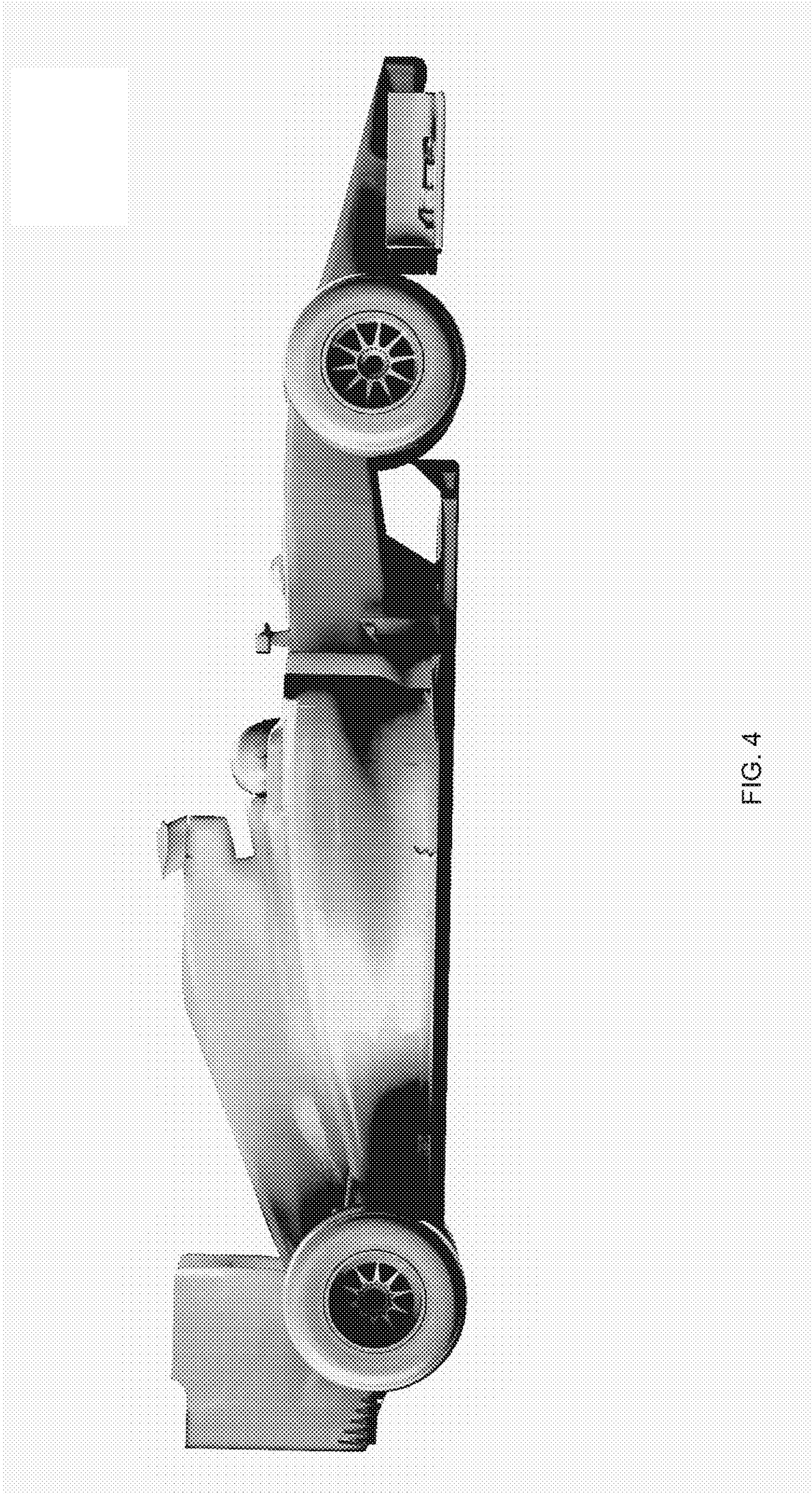


FIG. 4

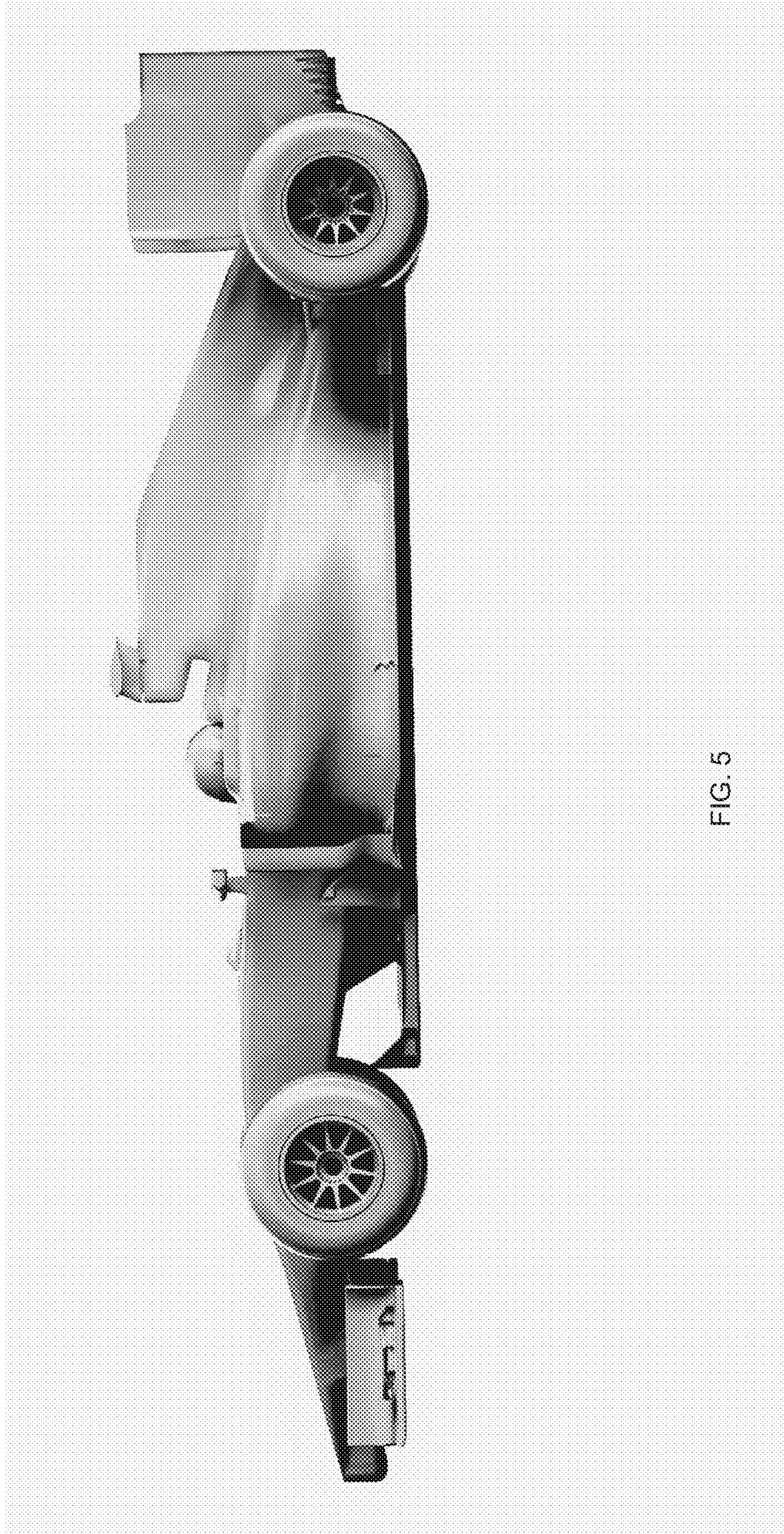


FIG. 5

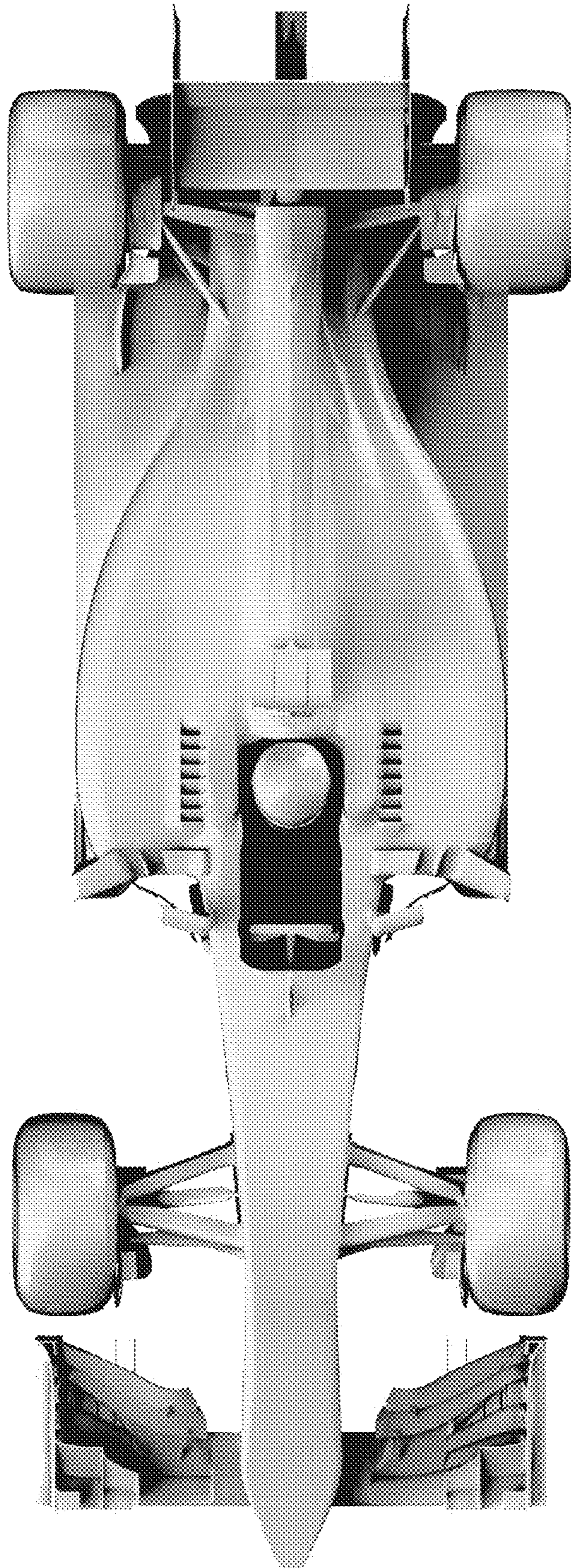


FIG. 6

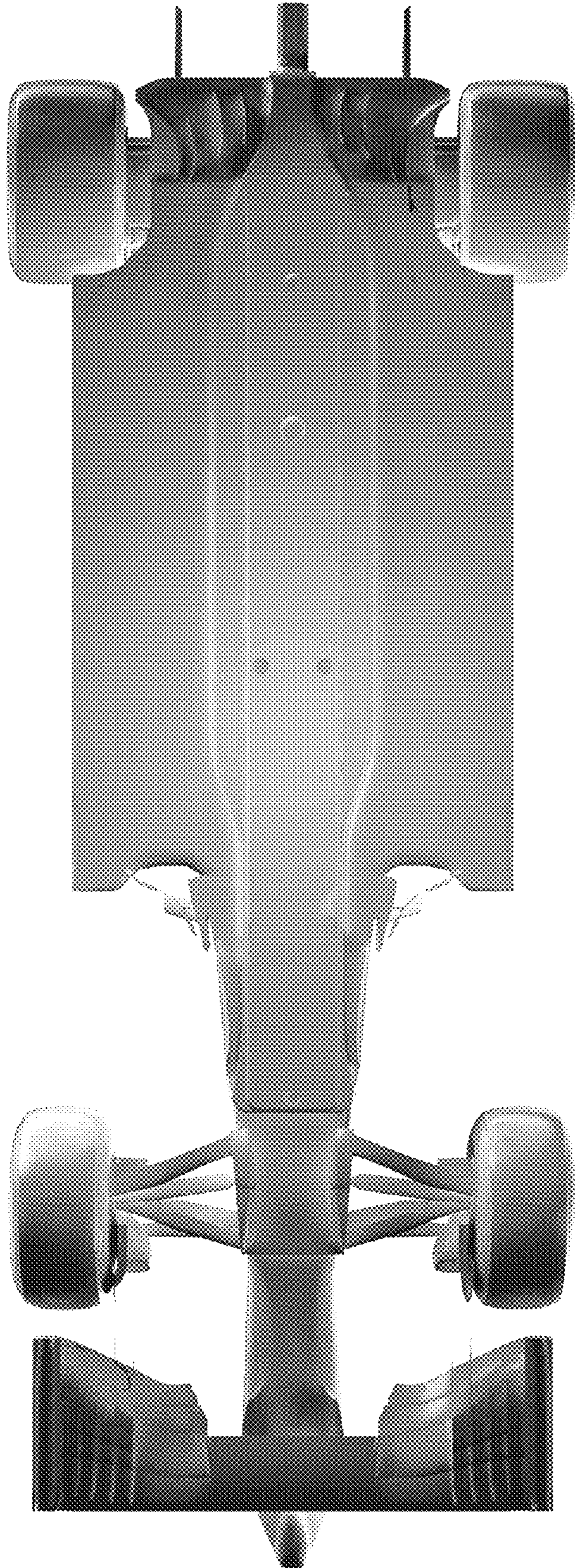


FIG. 7