



US00D755904S

(12) **United States Design Patent**
Chen et al.

(10) **Patent No.:** **US D755,904 S**
(45) **Date of Patent:** **** May 10, 2016**

(54) **BUILDING BLOCK**

(71) Applicant: **T-FUN COMPANY LIMITED**, New Taipei (TW)

(72) Inventors: **Tsai-Ti Chen**, New Taipei (TW); **Hero Lee**, New Taipei (TW)

(73) Assignee: **T-FUN COMPANY LIMITED**, New Taipei (TW)

(**) Term: **15 Years**

(21) Appl. No.: **29/527,227**

(22) Filed: **May 18, 2015**

(51) **LOC (10) Cl.** **21-01**

(52) **U.S. Cl.**
USPC **D21/499**

(58) **Field of Classification Search**
USPC D21/333, 373, 386, 389, 404, 468, 470,
D21/471, 475, 484-505; 446/69, 85,
446/102-128; 434/167, 208, 259, 403;
273/153, 156, 160
CPC A63H 33/04; A63H 33/06; A63H 33/062;
A63H 33/08; A63H 33/086; A63H 33/088;
A63H 33/10; A63H 33/101; A63H 33/108;
A63H 33/12; A63F 9/12; A63F 9/1224
See application file for complete search history.

(56) **References Cited**

U.S. PATENT DOCUMENTS

D295,649 S * 5/1988 Takahashi D21/500
D333,851 S * 3/1993 Olsen D21/502

D333,852 S * 3/1993 Olsen D21/500
D363,512 S * 10/1995 Bluff D21/503
D364,658 S * 11/1995 Bromso D21/503
D411,591 S * 6/1999 Laserna Fernandez D21/500
5,913,706 A * 6/1999 Glickman A63H 33/062
446/120
D419,616 S * 1/2000 Toft D21/493
D570,425 S * 6/2008 Comfort D21/501
7,553,209 B1 * 6/2009 Sorensen A63H 33/06
446/124
9,067,147 B1 * 6/2015 Woodhouse A63H 3/16

* cited by examiner

Primary Examiner — Cynthia M Chin

(74) *Attorney, Agent, or Firm* — Lin & Associates Intellectual Property, Inc.

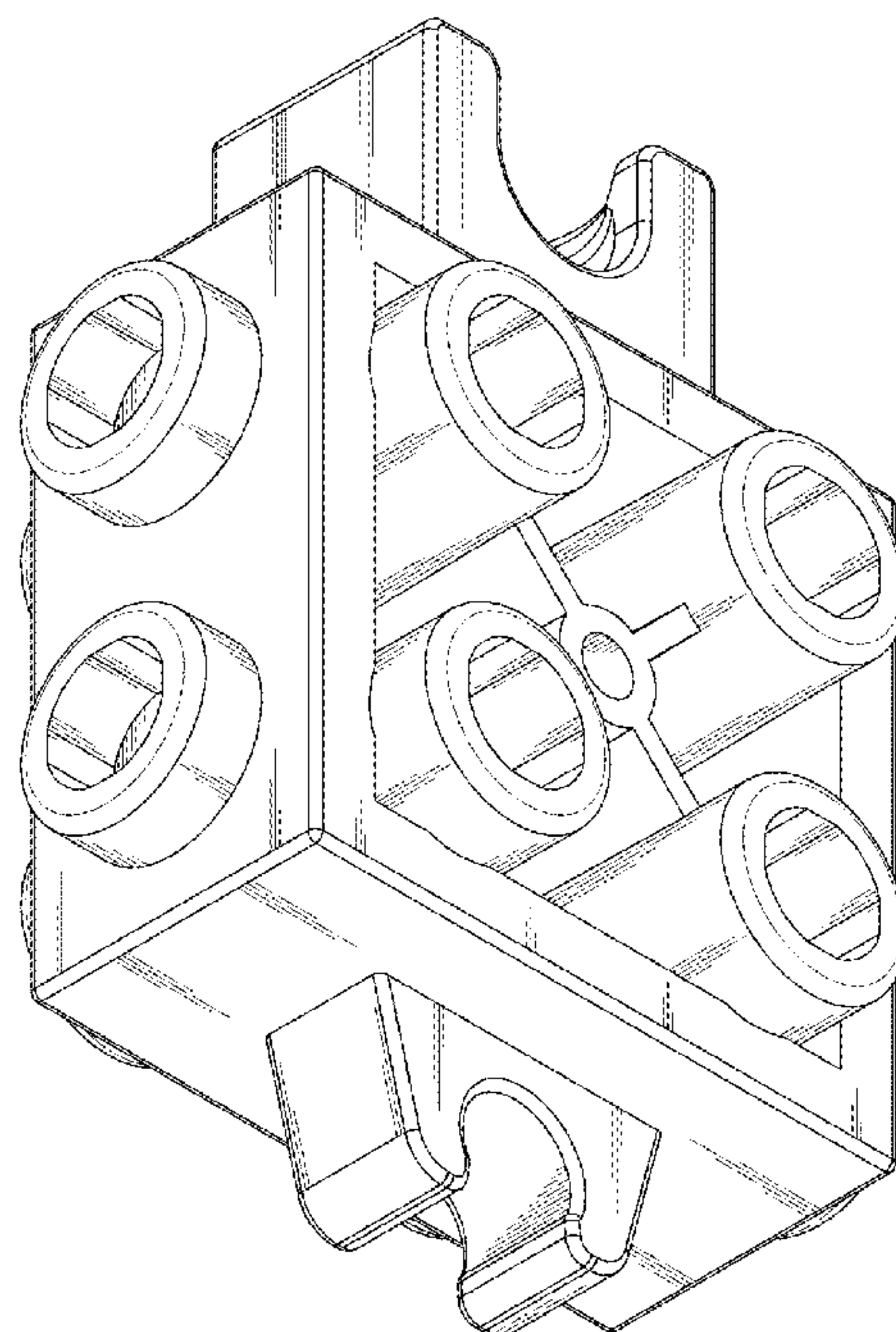
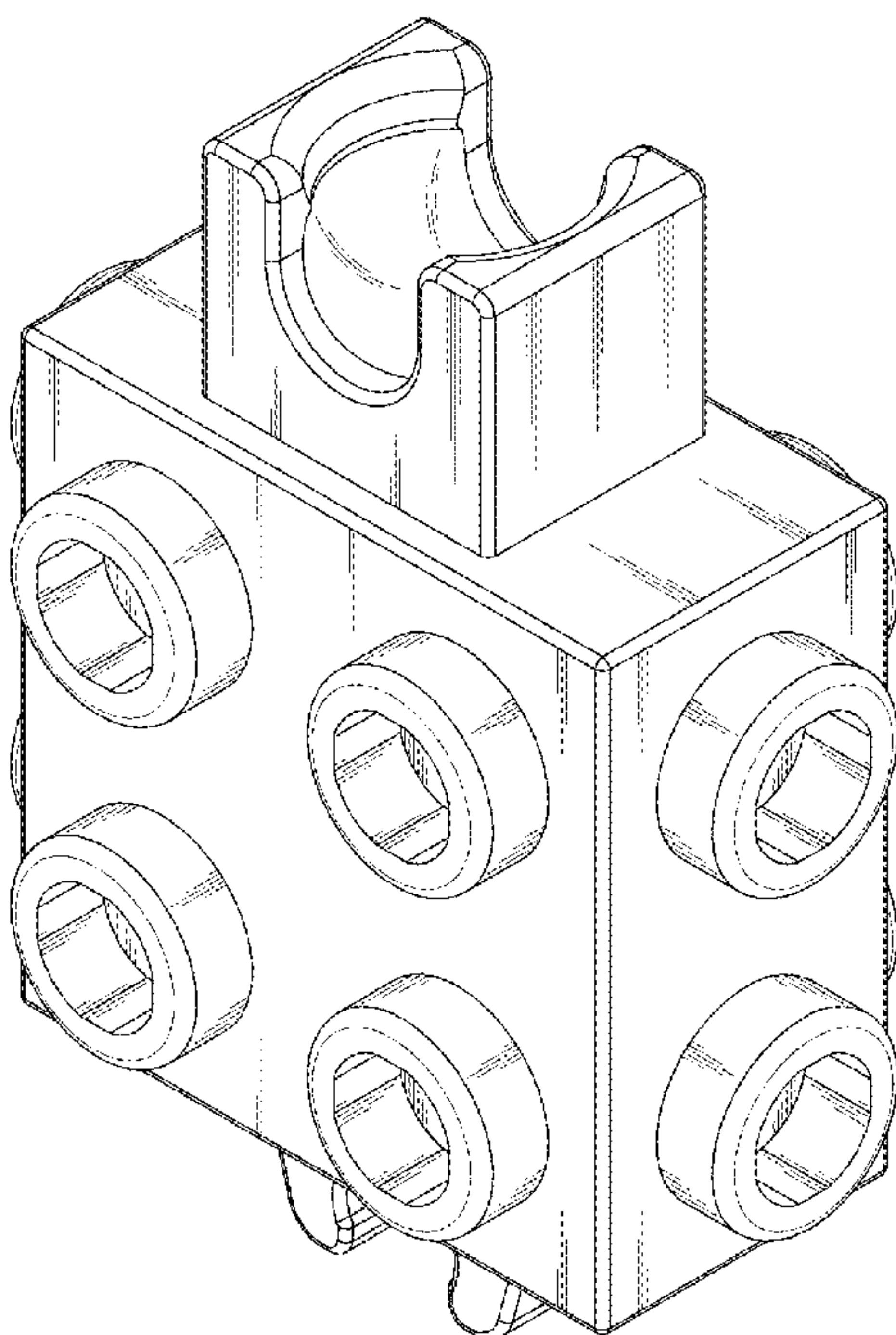
(57) **CLAIM**

The ornamental design for a building block, as shown and described.

DESCRIPTION

FIG. 1 is a perspective view of a building block showing my new design;
FIG. 2 is a front elevational view thereof;
FIG. 3 is a rear elevational view thereof;
FIG. 4 is a left elevational view thereof;
FIG. 5 is a right elevational view thereof;
FIG. 6 is a top view thereof;
FIG. 7 is a bottom view thereof; and,
FIG. 8 is a perspective view from another direction of the building block.

1 Claim, 8 Drawing Sheets



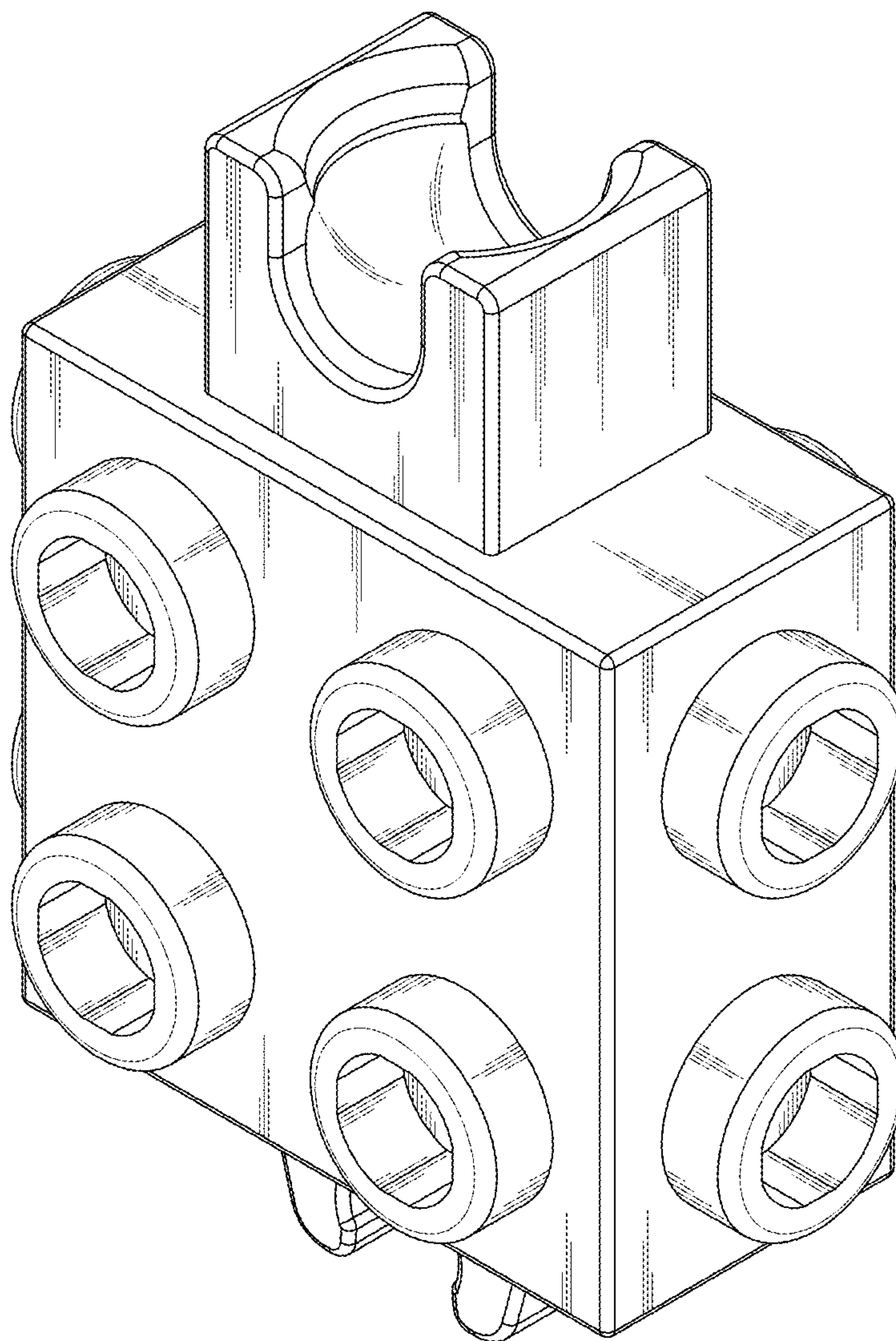


FIG. 1

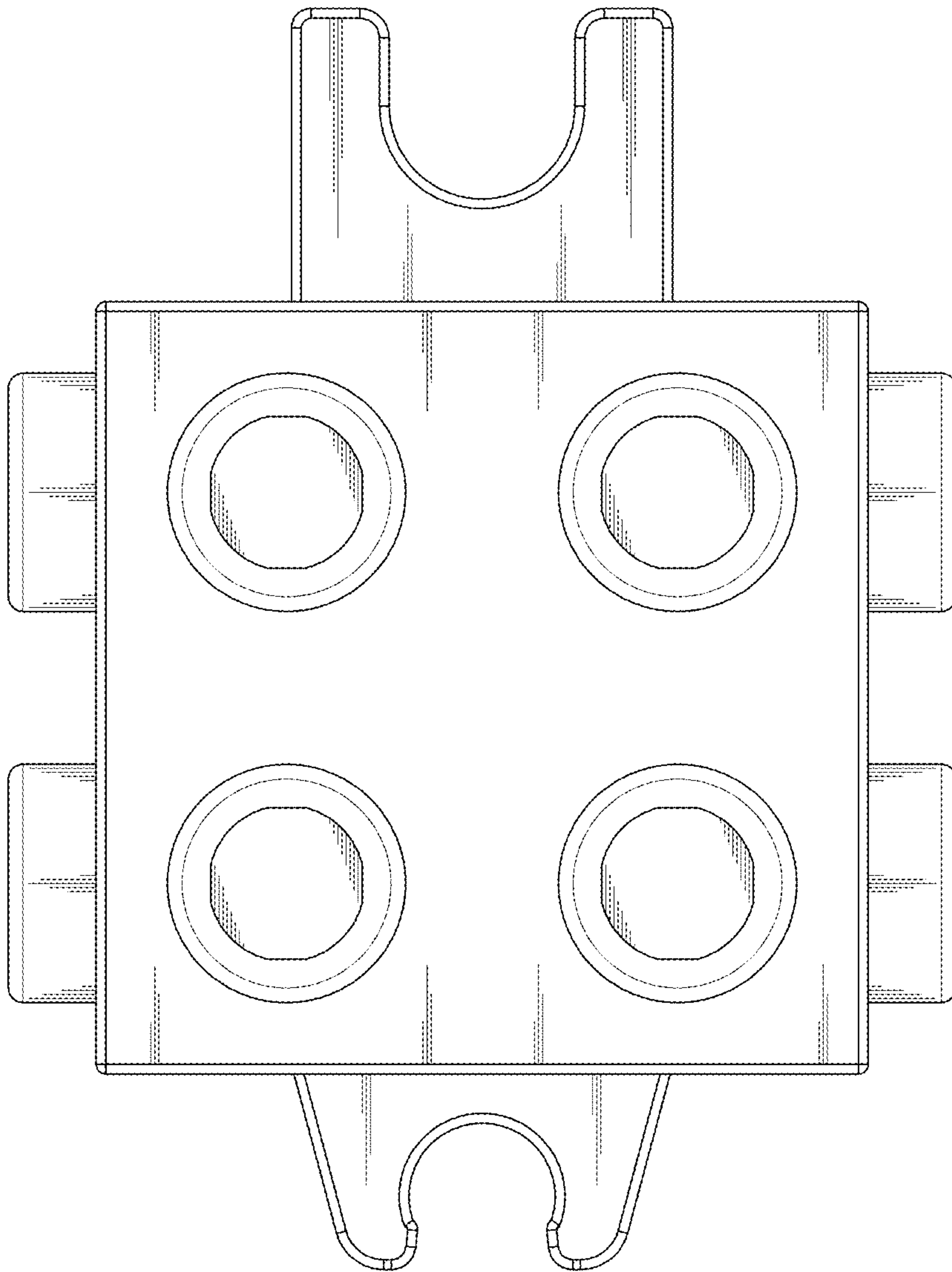


FIG. 2

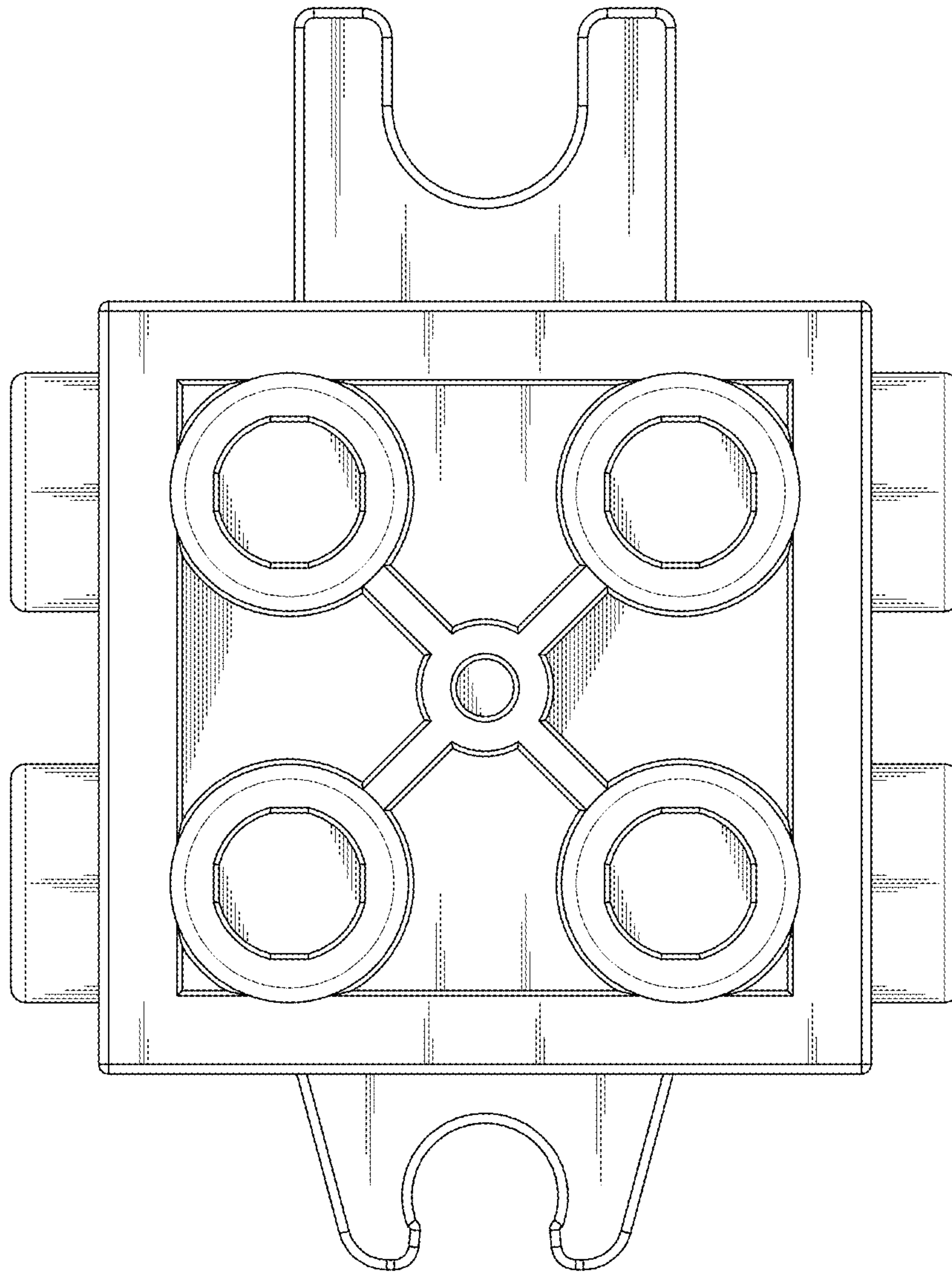


FIG. 3

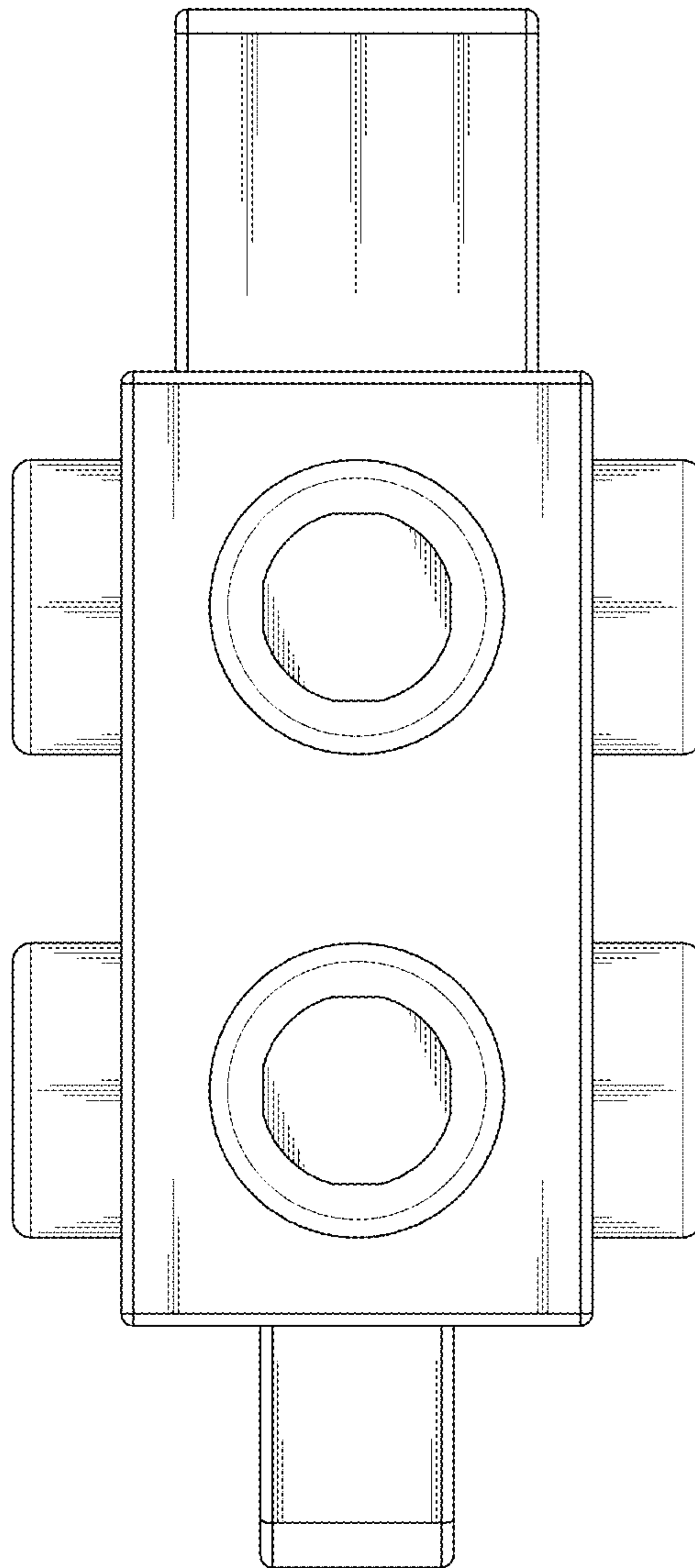


FIG. 4

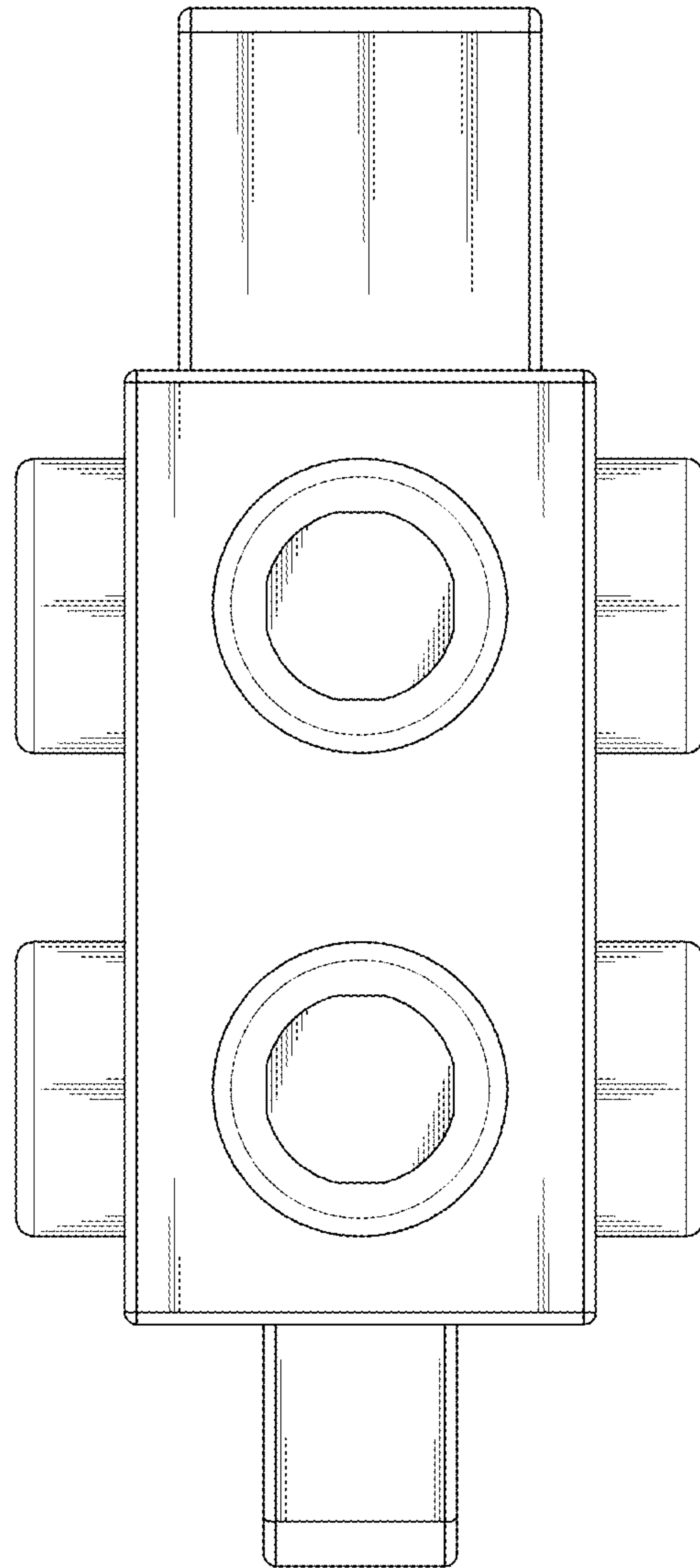


FIG. 5

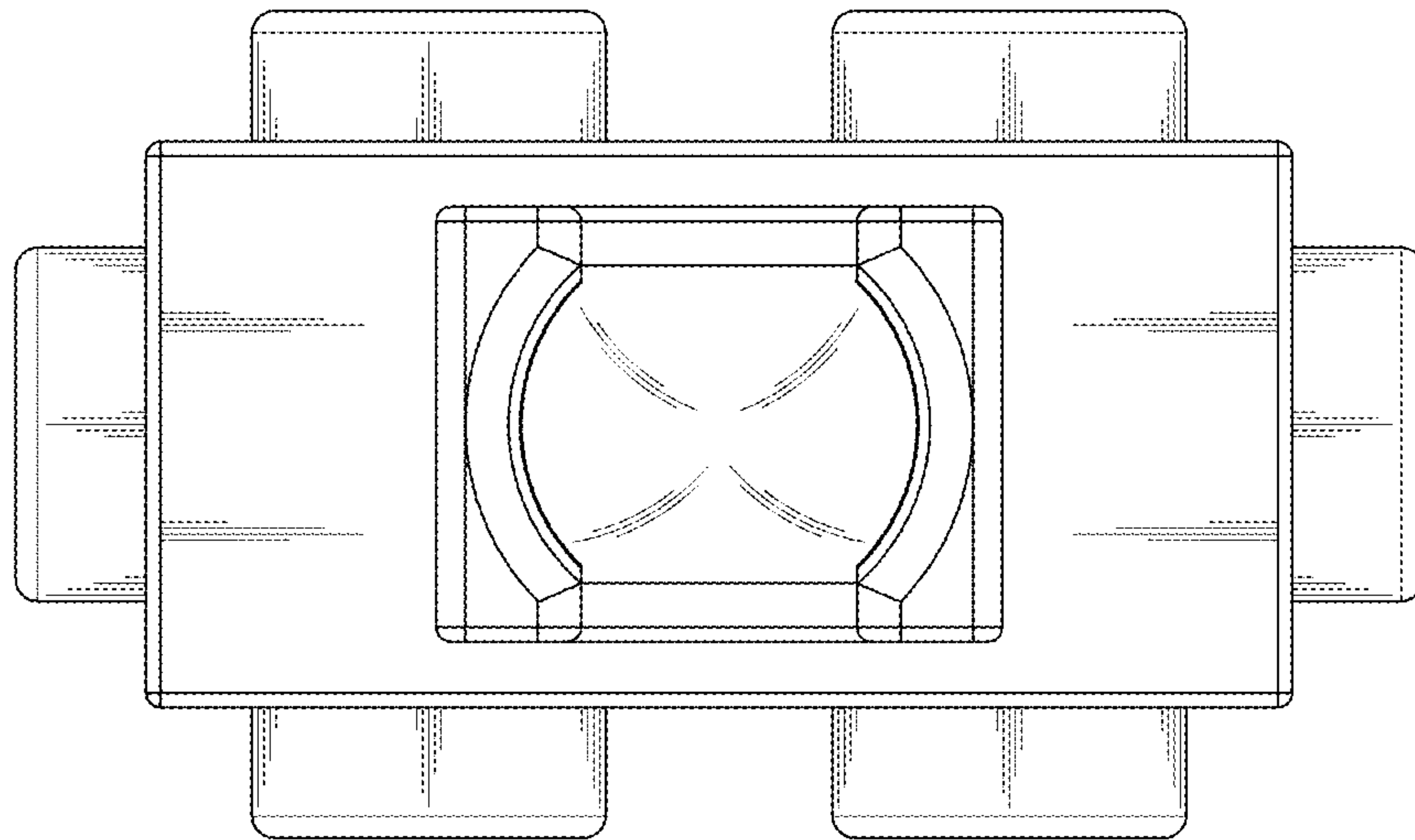


FIG. 6

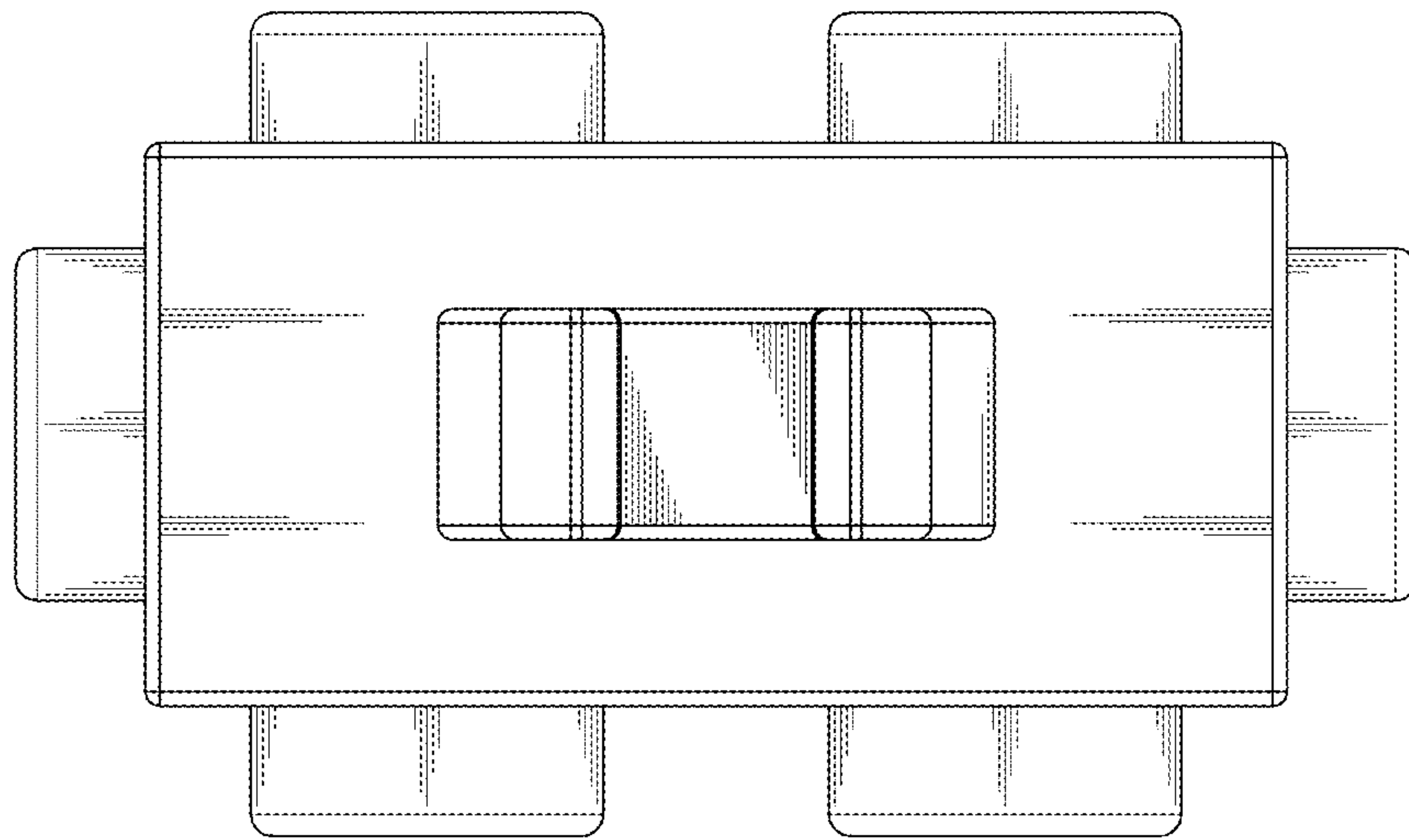


FIG. 7

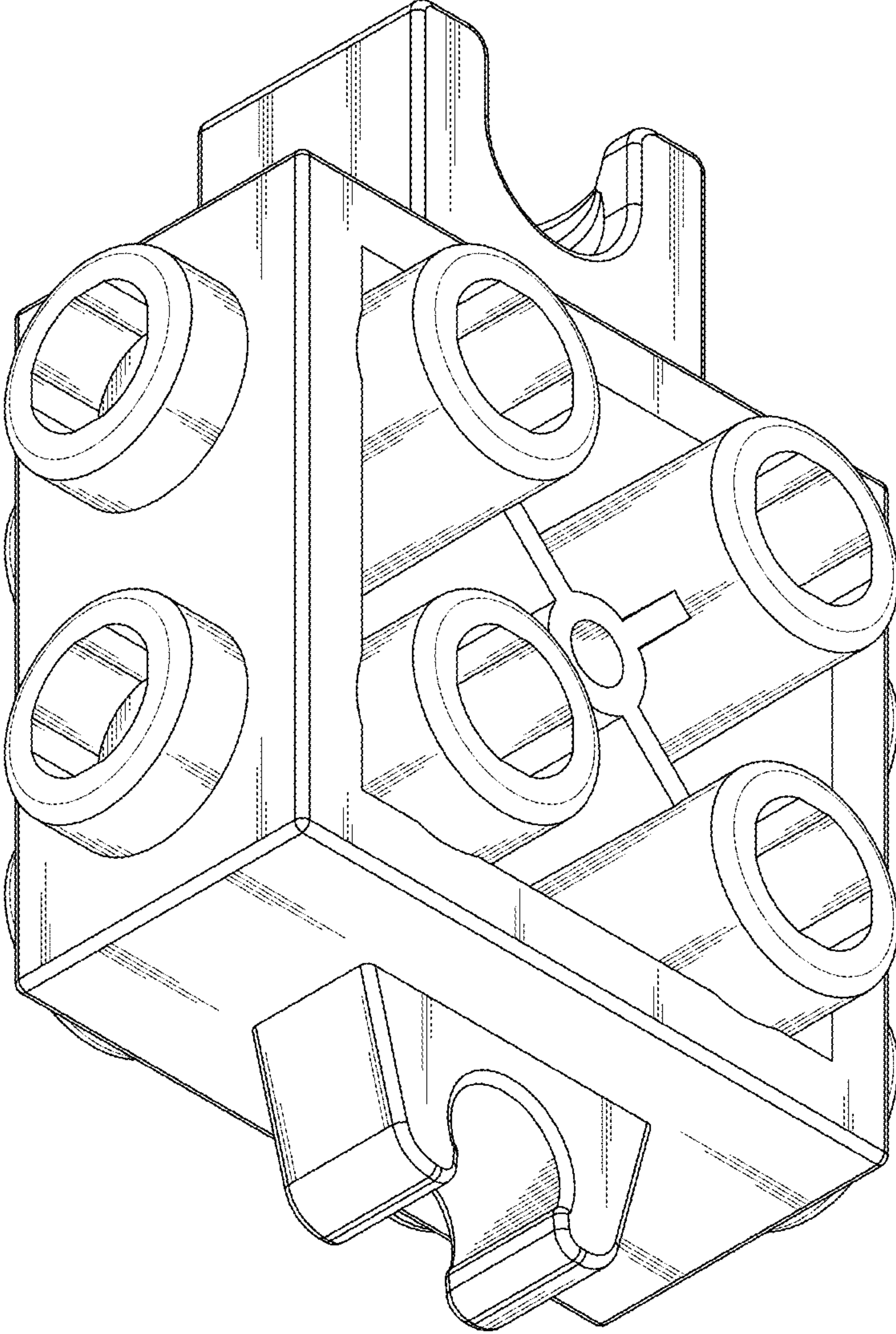


FIG. 8