



US00D755900S

(12) **United States Design Patent**  
**Goitein**

(10) **Patent No.:** **US D755,900 S**

(45) **Date of Patent:** **\*\* May 10, 2016**

(54) **POWER UNIT ATTACHABLE TO A FOLDED PAPER AIRPLANE**

(71) Applicant: **Shai Goitein**, Pardes Hana (IL)

(72) Inventor: **Shai Goitein**, Pardes Hana (IL)

(\*\*) Term: **14 Years**

(21) Appl. No.: **29/504,069**

(22) Filed: **Oct. 1, 2014**

(51) **LOC (10) Cl.** ..... **21-01**

(52) **U.S. Cl.**  
USPC ..... **D21/453**

(58) **Field of Classification Search**  
USPC ..... D12/16.1, 319, 325, 326, 327, 328, 329,  
D12/330, 333, 344, 345; D21/301, 437,  
D21/441, 443, 446, 447, 448, 453, 454, 461  
CPC ..... B64C 2201/146; B64C 2201/141;  
B64C 2201/126; B64C 2201/021; B64C 29/00  
See application file for complete search history.

(56) **References Cited**

U.S. PATENT DOCUMENTS

1,035,017	A	8/1912	Kaiser et al.	446/60
2,715,445	A	8/1955	Williamson	416/20 R
D214,803	S	7/1969	Limb	D21/449
3,699,708	A	10/1972	Mabuchi	446/57
3,757,462	A	9/1973	Mabuchi	446/58
D241,564	S	9/1976	Kabchef	D21/449
3,985,322	A	10/1976	Mabuchi et al.	248/554
D245,637	S	8/1977	Jewett	D21/450
4,180,221	A	12/1979	Harris	244/13
4,377,051	A	3/1983	Dulake	446/31
4,629,438	A *	12/1986	McAneny	A63H 27/02 185/10
5,525,087	A	6/1996	Chin-Lin	446/59
6,520,823	B2	2/2003	Tian et al.	446/57
6,638,132	B1 *	10/2003	Li	A63H 29/18 185/39

6,688,937	B1	2/2004	Tsai	446/67
7,331,838	B2	2/2008	Shantz	446/57
7,377,832	B2	5/2008	Chamberlain	446/57
D620,537	S *	7/2010	Bopp	D21/441
D724,675	S *	3/2015	Goitein	D21/453
D725,715	S *	3/2015	Goitein	D21/449
2003/0197092	A1	10/2003	Tian et al.	244/51
2005/0233672	A1	10/2005	Shantz	446/232
2008/0125002	A1	5/2008	Goitein	446/57
2009/0017714	A1	1/2009	DeRennaux et al.	446/93
2009/0229921	A1	9/2009	Sink et al.	185/39
2011/0262789	A1	10/2011	Tu	429/100
2014/0343752	A1 *	11/2014	Fisher	B64C 39/024 701/2
2015/0367938	A1 *	12/2015	Zambrano	B64C 35/005 244/50

\* cited by examiner

*Primary Examiner* — Robert M Spear  
*Assistant Examiner* — Marissa J Cash  
(74) *Attorney, Agent, or Firm* — Robert W J Usher

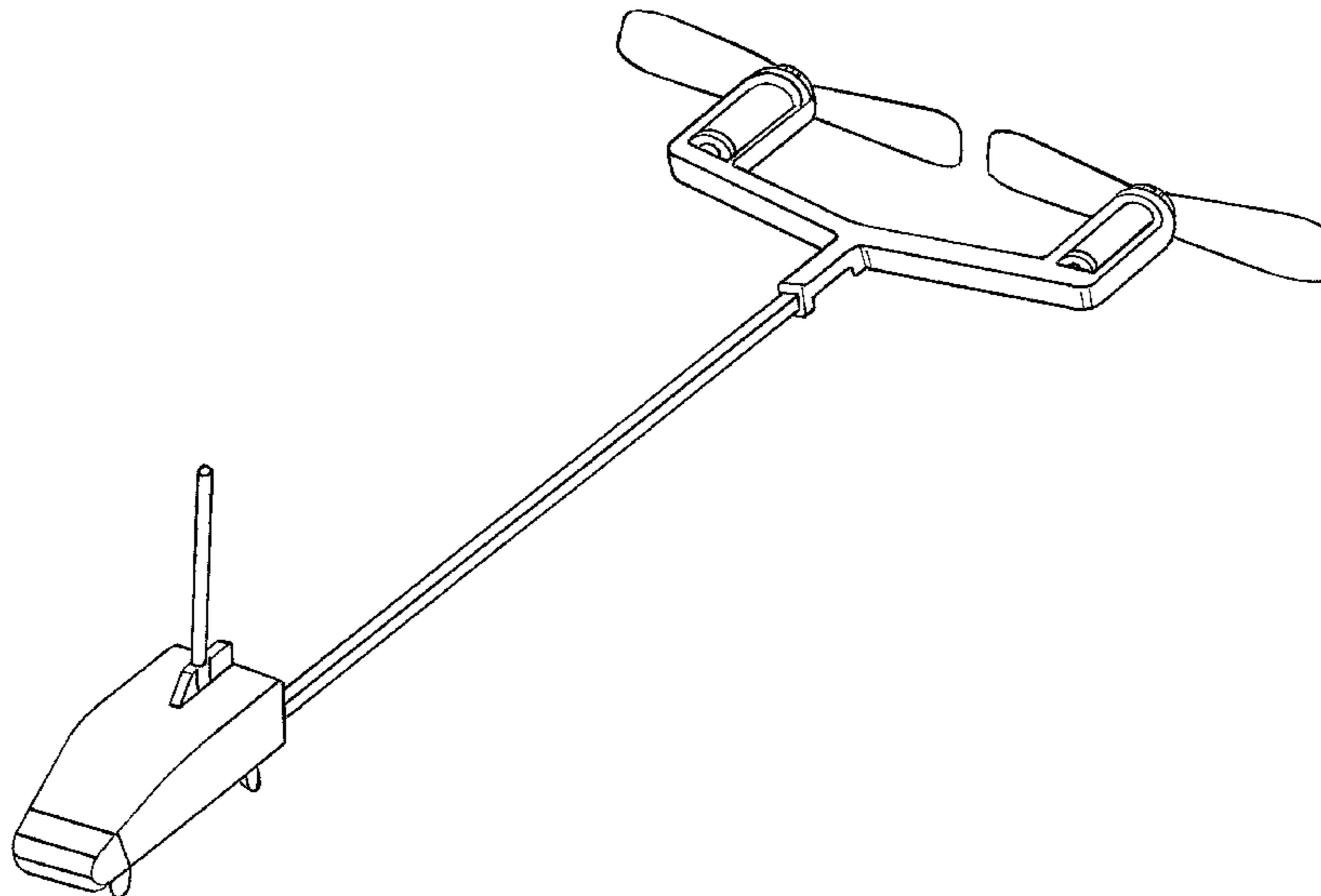
(57) **CLAIM**

The ornamental design for a power unit attachable to a folded paper airplane, as shown and described.

**DESCRIPTION**

FIG. 1 is an isometric view from the front, above and one side of a power unit attachable to a folded paper airplane showing my new design, (opposite side is identical);  
FIG. 2 is an isometric view from the rear, above and opposite side;  
FIG. 3 is a side elevation corresponding to FIG. 1;  
FIG. 4 is a side elevation corresponding to FIG. 2;  
FIG. 5 is a top view;  
FIG. 6 is an isometric view from the front, below and the one side;  
FIG. 7 is a bottom view;  
FIG. 8 is a rear view; and,  
FIG. 9 is a front view.

**1 Claim, 4 Drawing Sheets**



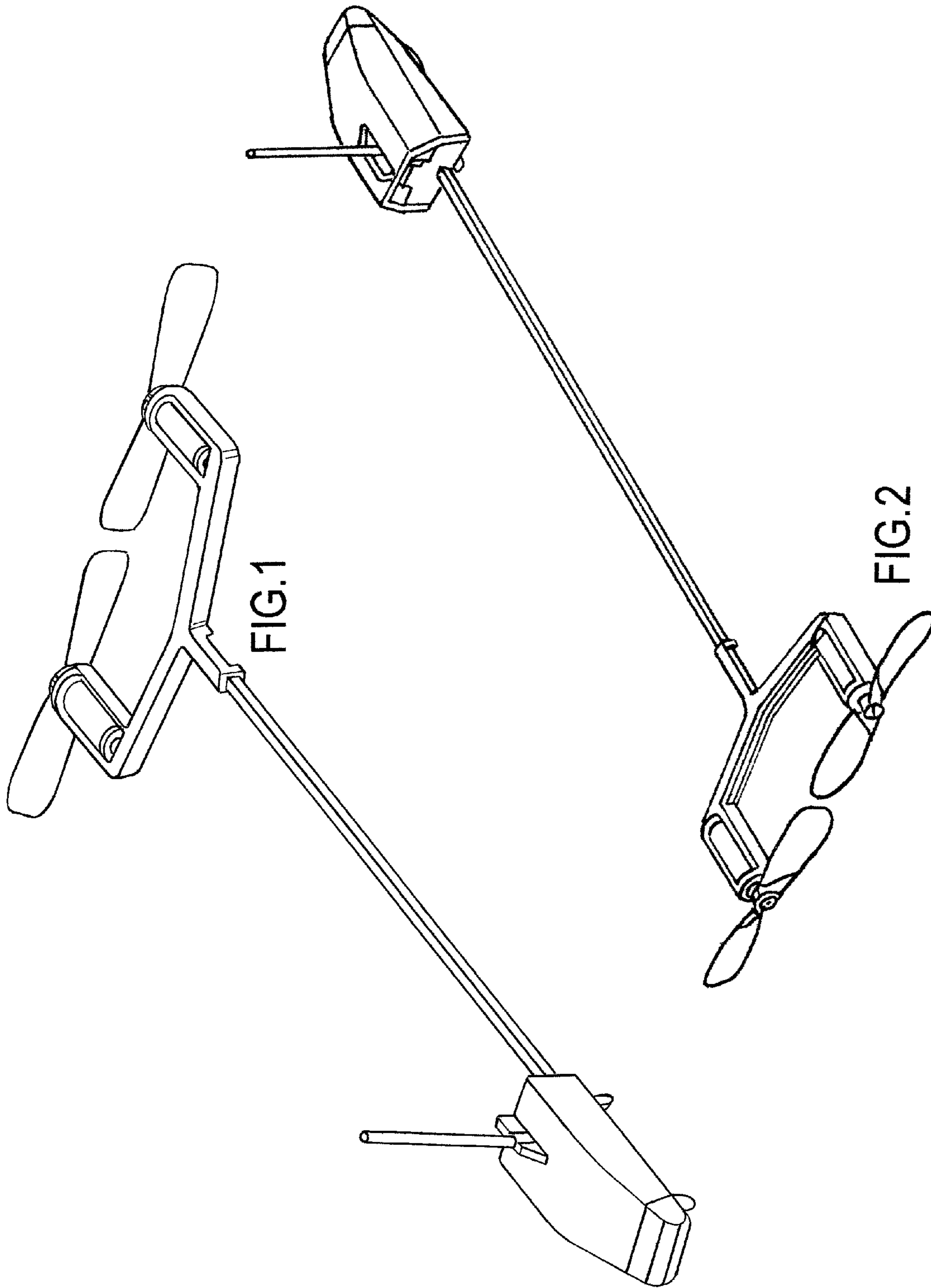


FIG.1

FIG.2

FIG.3

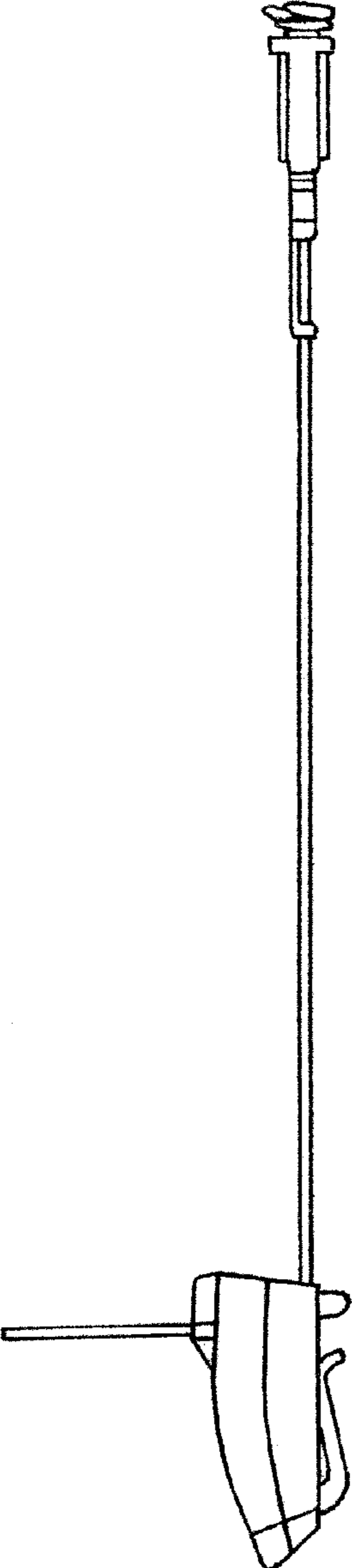


FIG.4

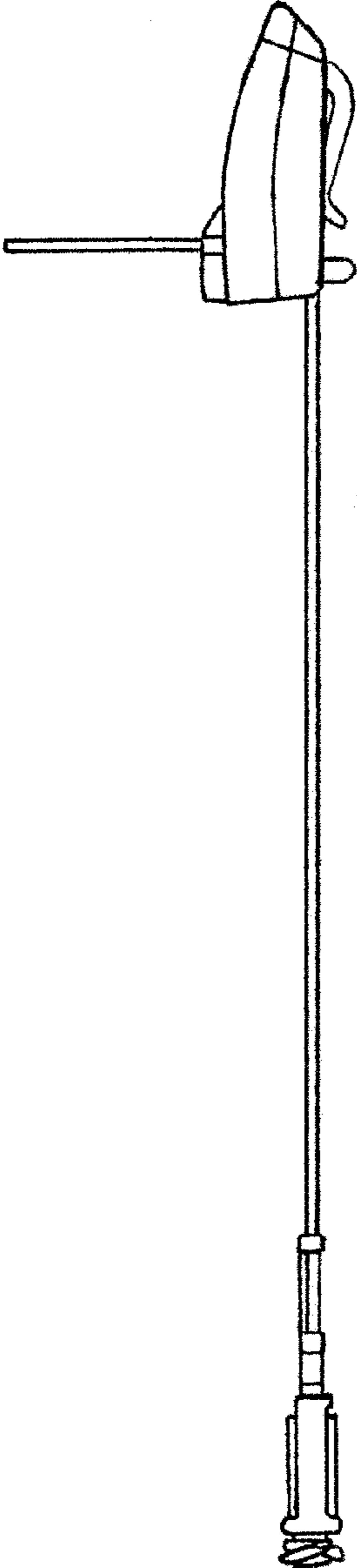
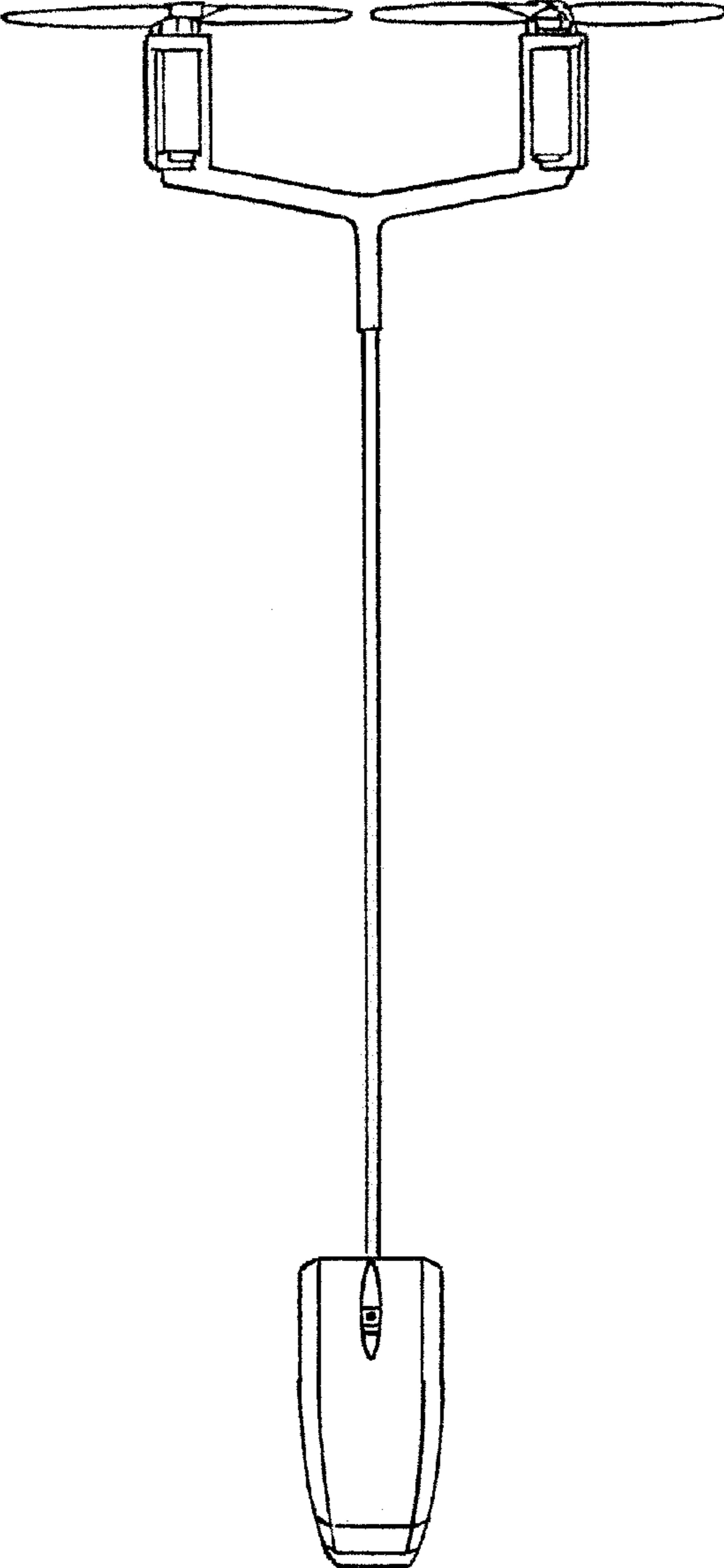


FIG.5



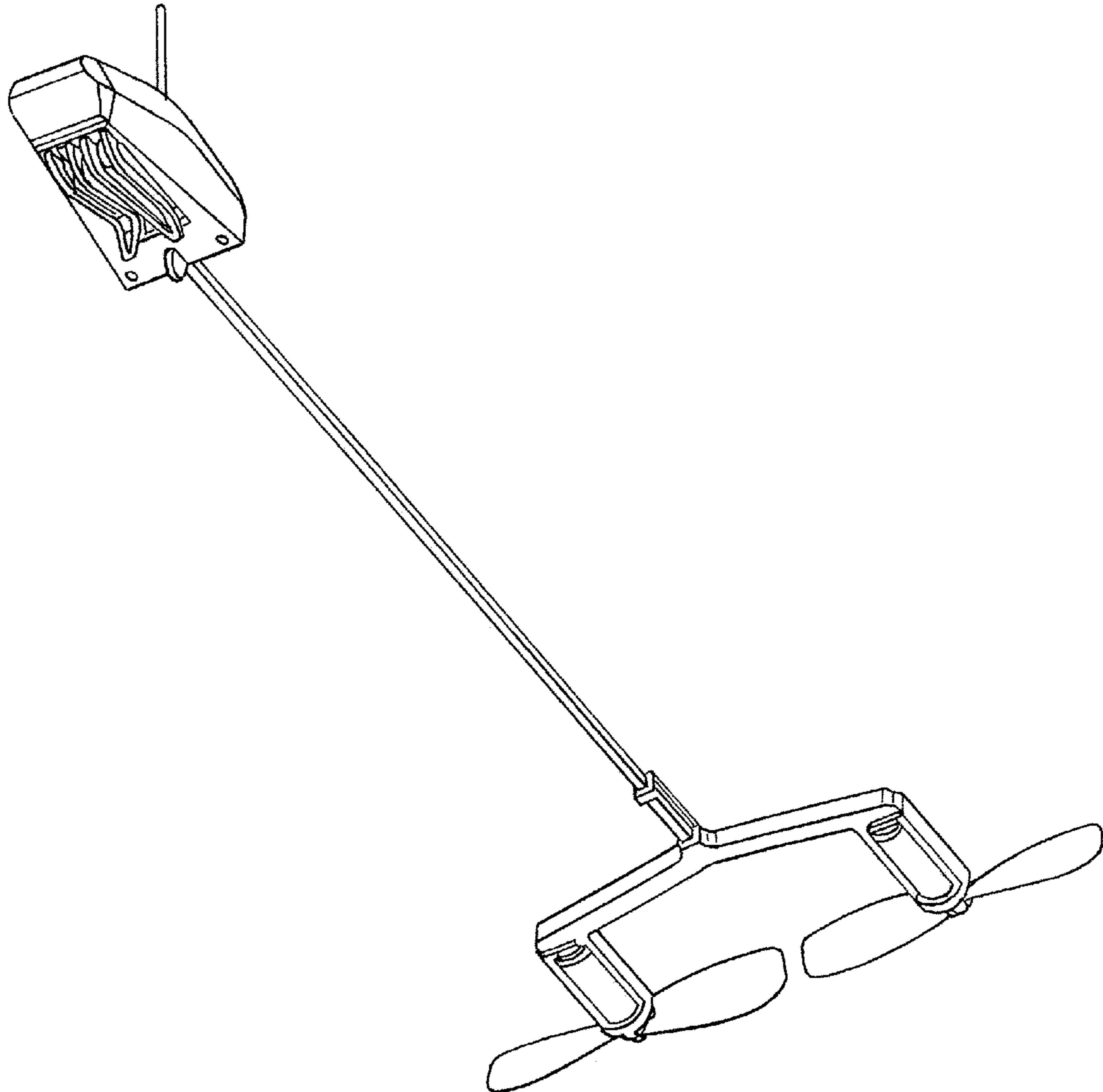


FIG. 6

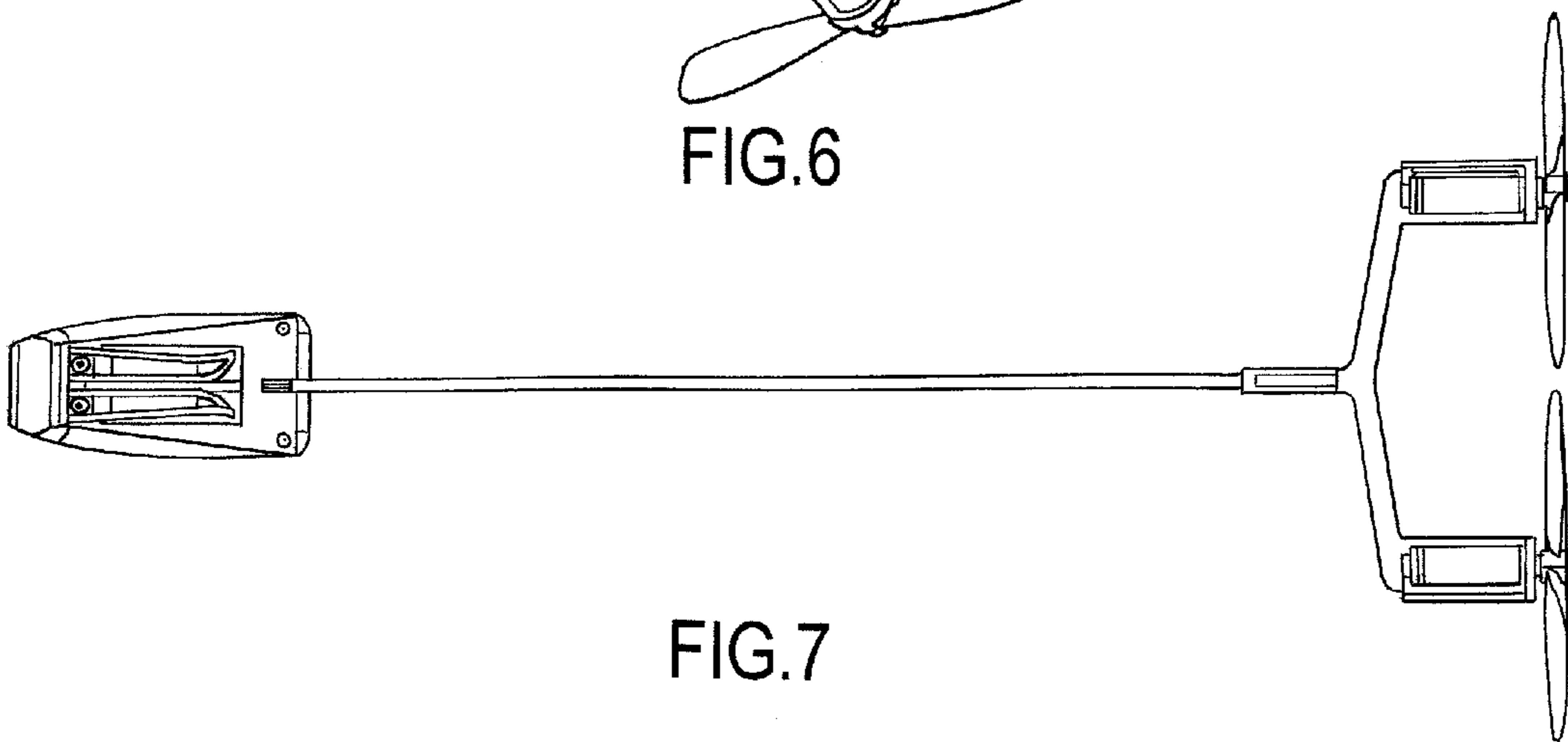


FIG. 7

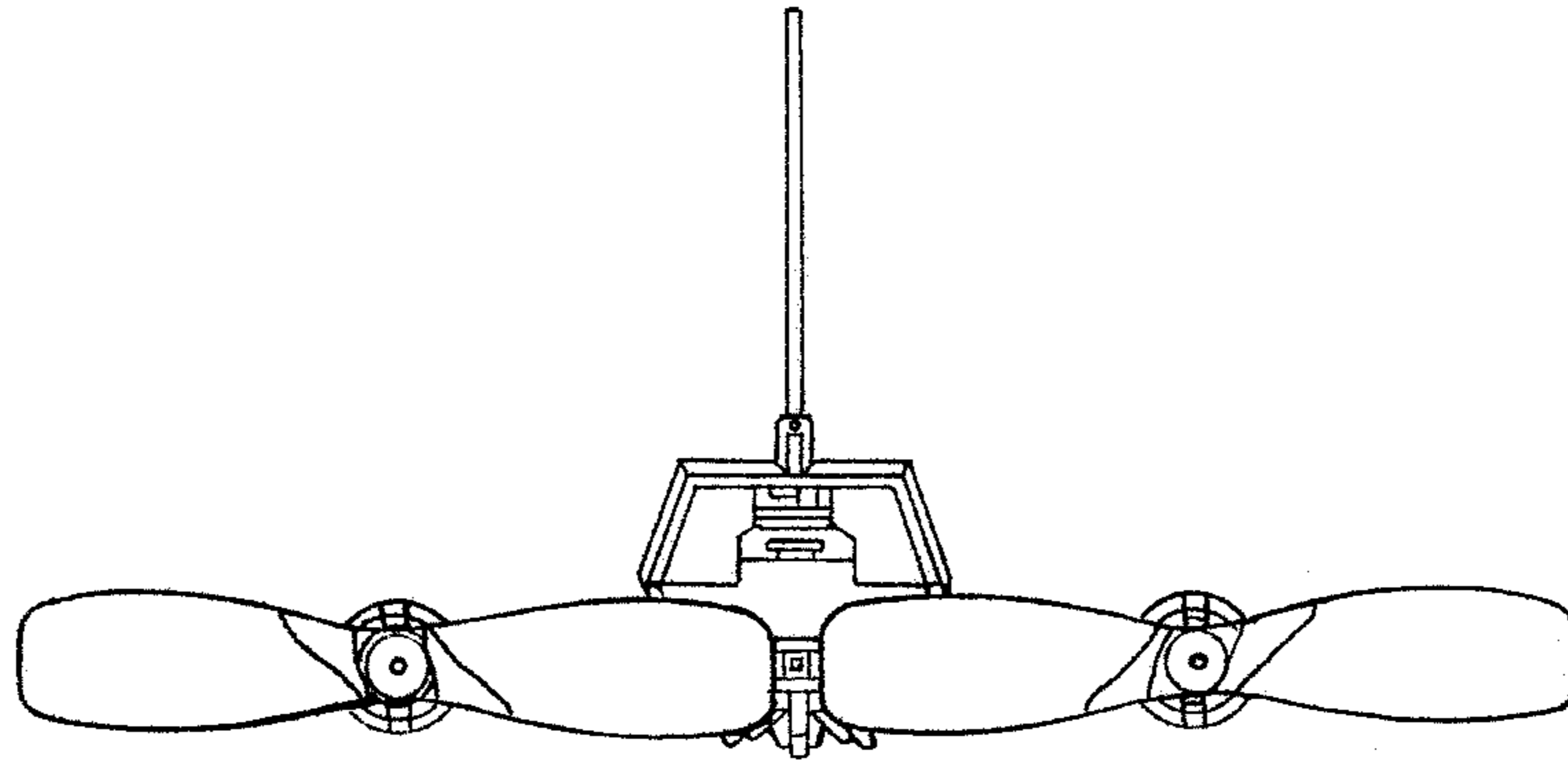


FIG. 8

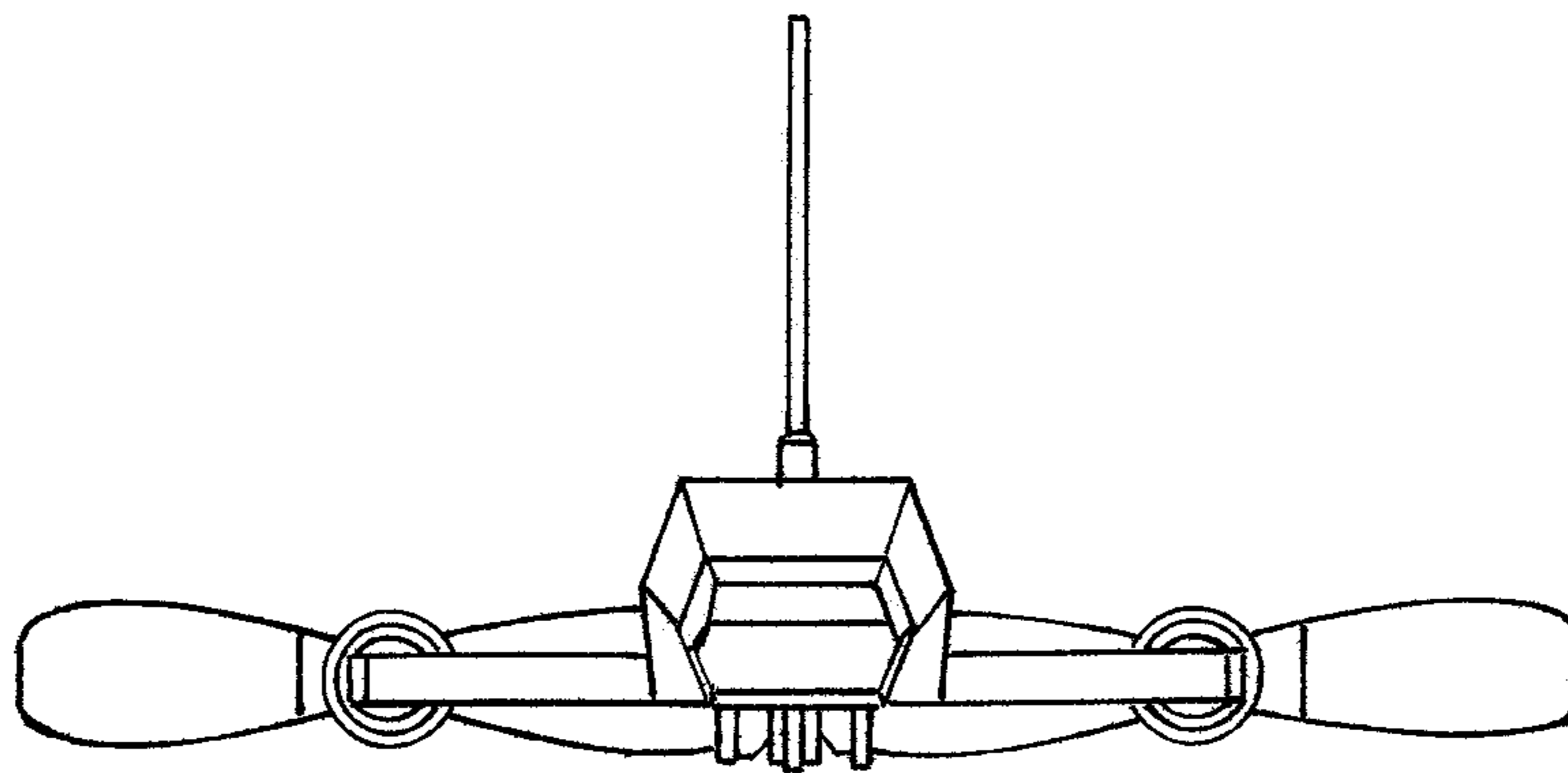


FIG. 9