

US00D755897S

(12) **United States Design Patent**
McDonell et al.

(10) **Patent No.:** **US D755,897 S**
(45) **Date of Patent:** **** May 10, 2016**

(54) **NUMBER HOLDER**
(71) Applicant: **Hamag Pty Ltd.**, Wollert, Victoria (AU)
(72) Inventors: **Hamish McDonell**, Wollert (AU); **Kellett McDonell**, Wollert (AU)
(73) Assignee: **HAMAG PTY LTD.**, Wollert, Victoria (AU)
(**) Term: **14 Years**

5,414,948 A * 5/1995 Kudo G09F 3/207
40/651
5,799,428 A * 9/1998 Poindexter G09F 1/103
248/215
D508,183 S * 8/2005 Lambden D20/19
D510,957 S * 10/2005 Miller D20/19
D660,368 S * 5/2012 Podd D20/42
2006/0101676 A1* 5/2006 Ratmansky G09F 3/18
40/27.5
2009/0172987 A1* 7/2009 Kaoh G09F 7/08
40/611.01
2011/0265363 A1* 11/2011 Oliver-Collins G09F 3/204
40/642.01

(21) Appl. No.: **29/506,747**
(22) Filed: **Oct. 20, 2014**
(51) **LOC (10) Cl.** **20-03**
(52) **U.S. Cl.**
USPC **D20/43**
(58) **Field of Classification Search**
USPC D20/10, 17, 19, 43, 44, 99; D10/109.1,
D10/109.2, 113.4; D30/155
CPC G09F 1/10; G09F 1/103; G09F 1/12;
G09F 1/14; G09F 2001/106; G09F 3/08;
G09F 3/12; G09F 3/16; G09F 3/18; G09F
3/20; G09F 3/201; G09F 3/202; G09F 3/204;
G09F 7/00; G09F 7/08; G09F 9/00; A47G
1/06; A47G 1/0638; A47G 2001/145
See application file for complete search history.

(56) **References Cited**
U.S. PATENT DOCUMENTS
2,208,019 A * 7/1940 Darling G09F 1/12
248/468
D162,354 S * 3/1951 Smith D20/10
5,125,175 A * 6/1992 Huff, Jr. G09F 1/12
40/718

OTHER PUBLICATIONS

<http://www.hamag.com.au/leather/leather-horse-number-holders.html> Horse Number Holders—Leather | Hamag 3 Pages Printed Feb. 24, 2015.

* cited by examiner

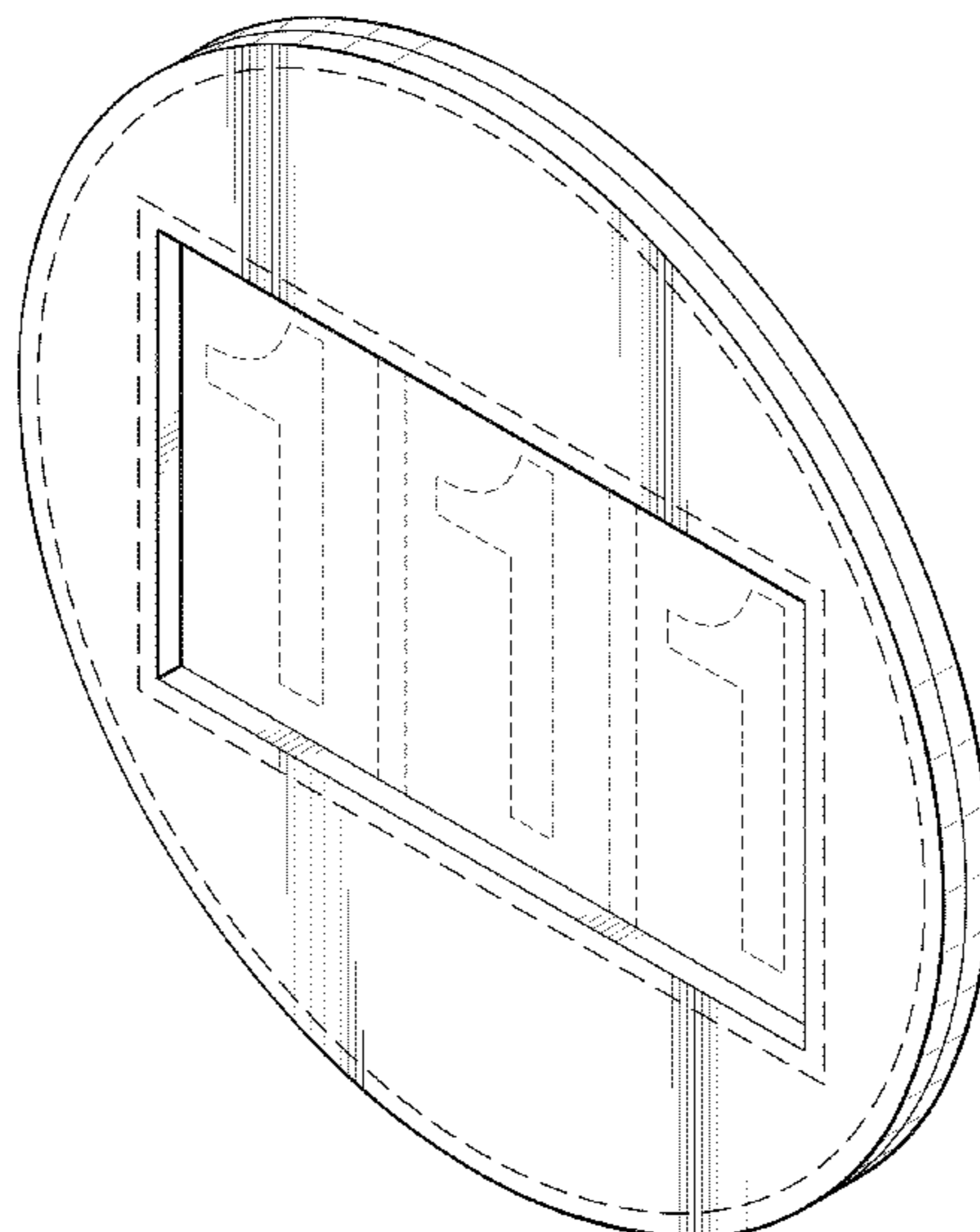
Primary Examiner — Mary Ann Calabrese
(74) *Attorney, Agent, or Firm* — King & Schickli, PLLC

(57) **CLAIM**
The ornamental design of a number holder, as shown and described.

DESCRIPTION

FIG. 1 is a perspective view of the invention;
FIG. 2 is a front view of the invention;
FIG. 3 is a left side view of the invention;
FIG. 4 is a rear view of the invention;
FIG. 5 is a right side view of the invention;
FIG. 6 is a bottom view of the invention; and,
FIG. 7 is a top view of the invention.
The broken lines form no part of the claimed design.

1 Claim, 5 Drawing Sheets



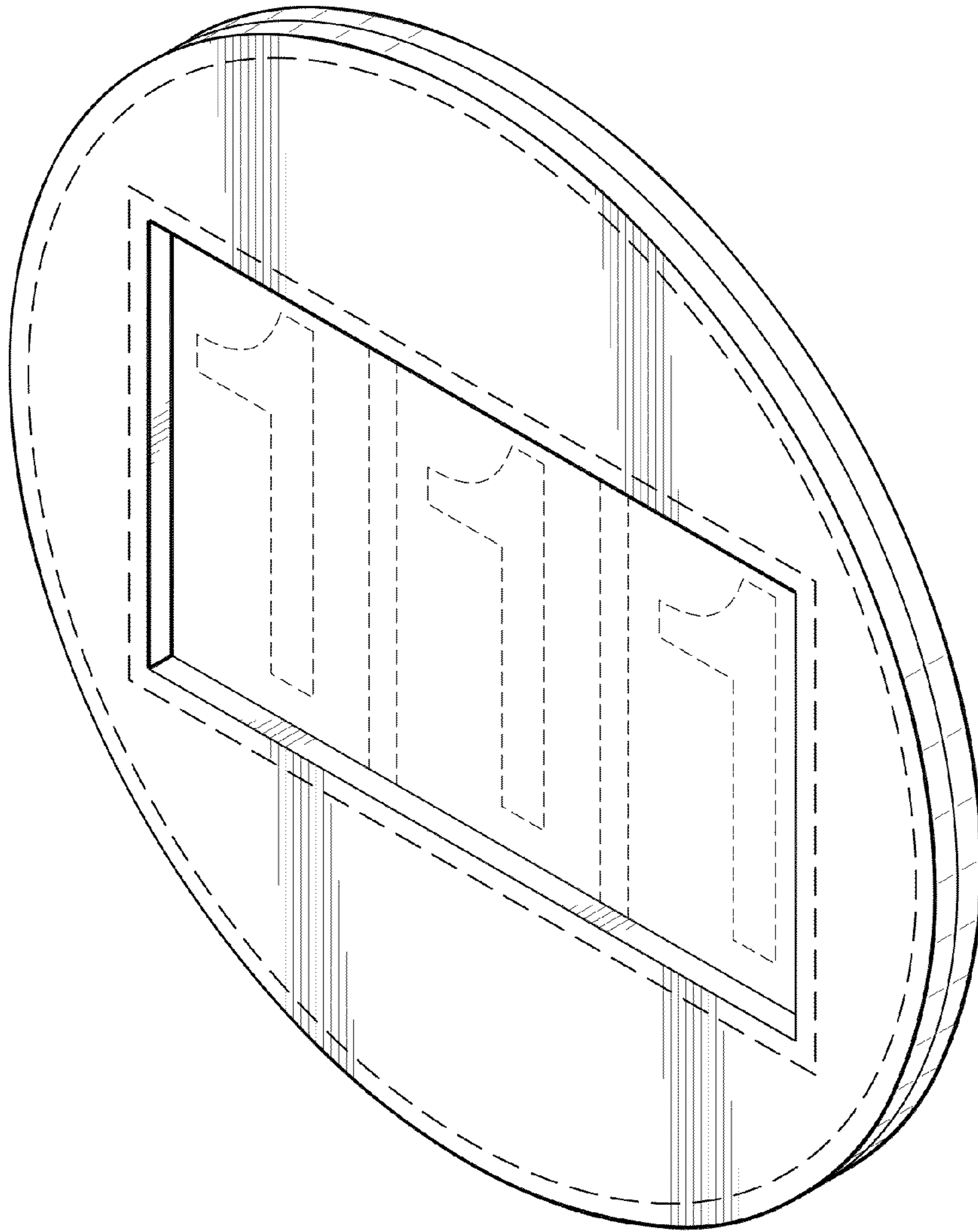


FIG. 1

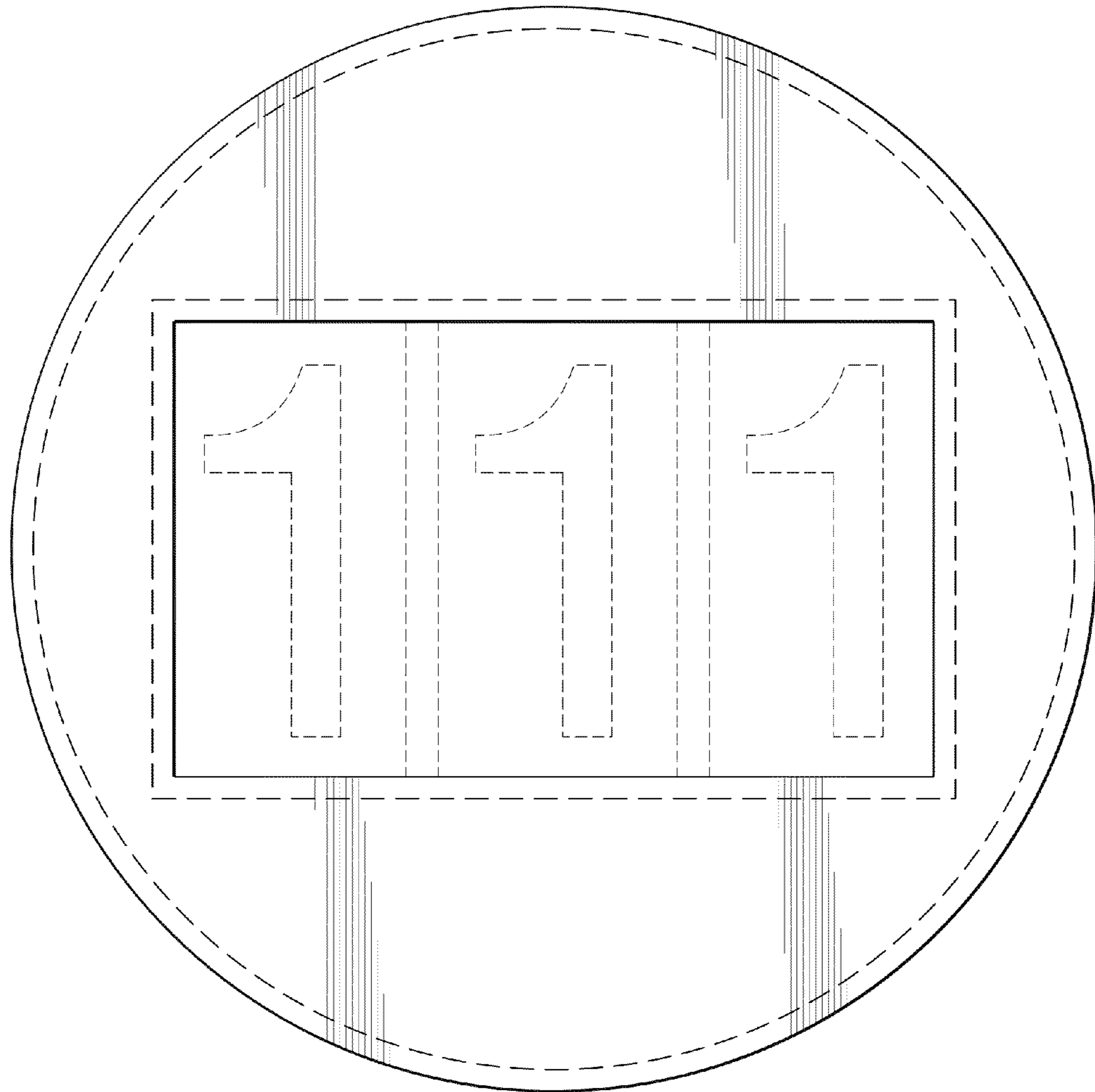


FIG. 2

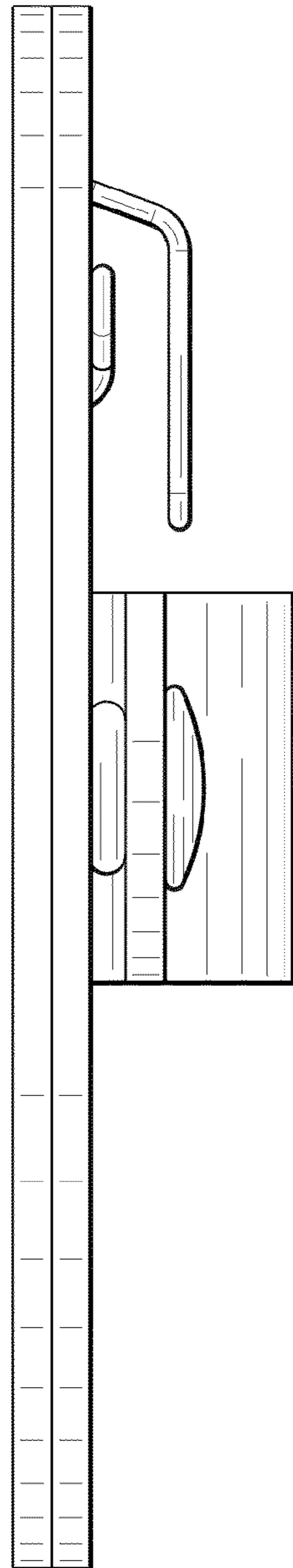


FIG. 3

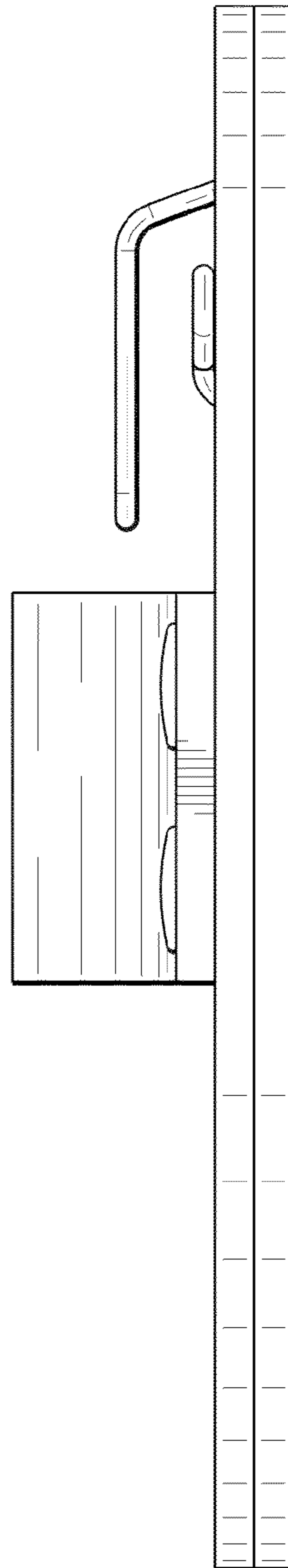


FIG. 5

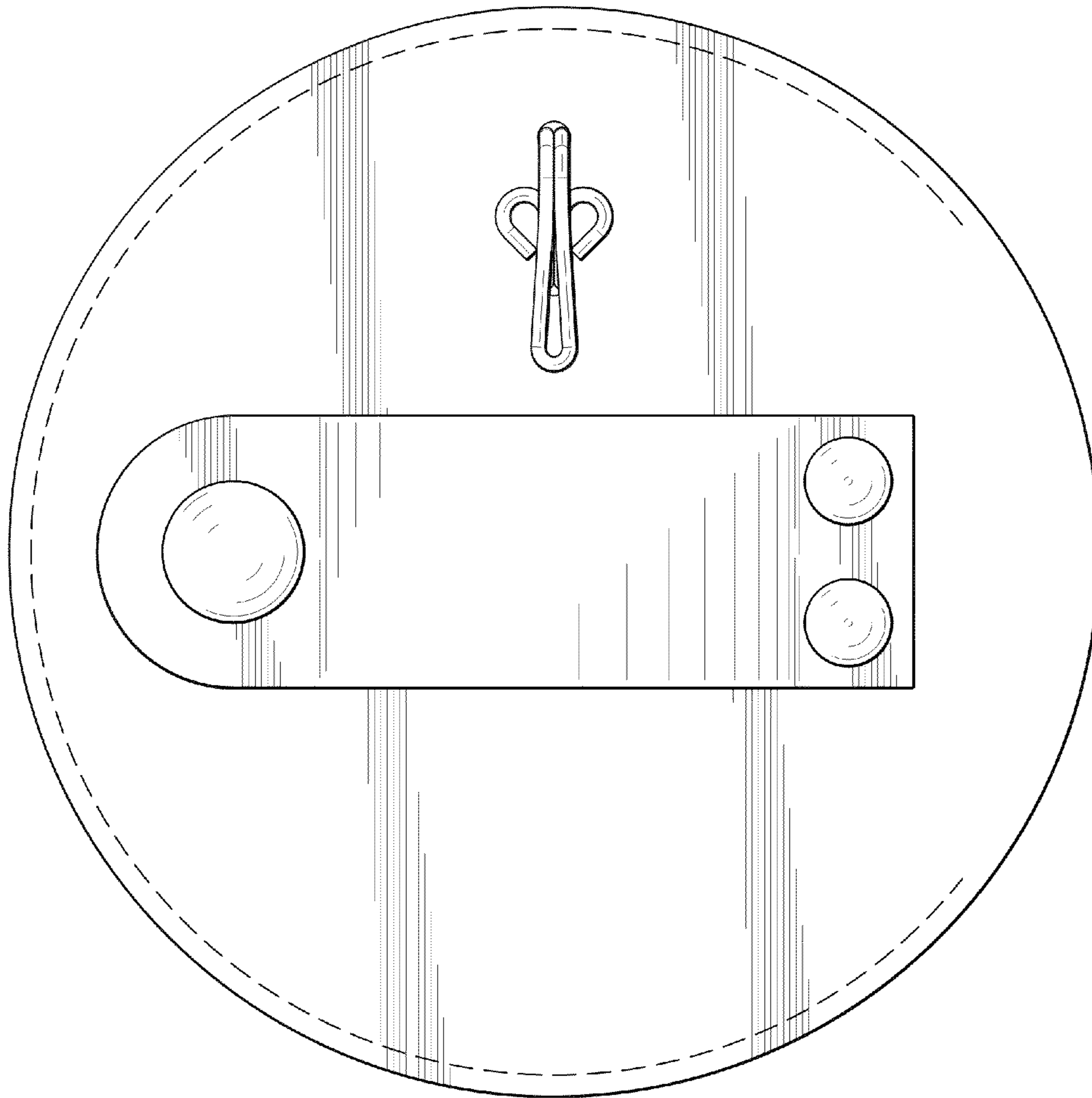


FIG. 4

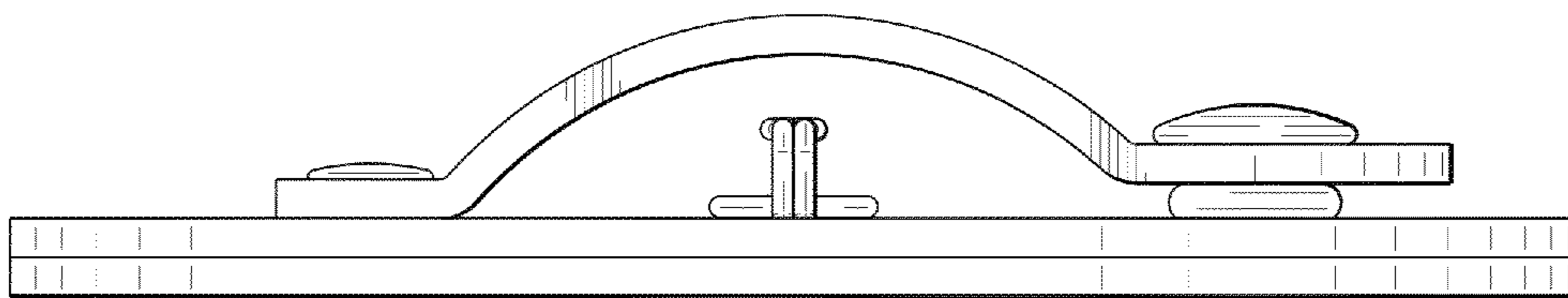


FIG. 6

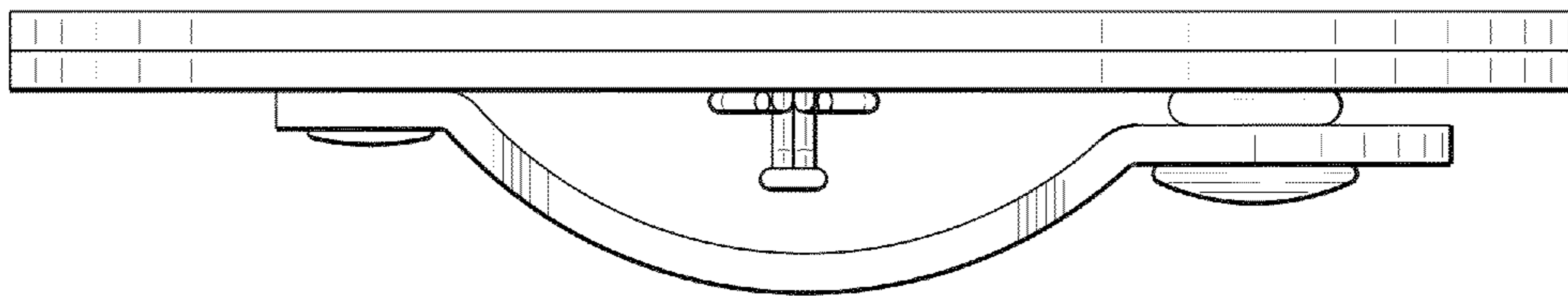


FIG. 7