



US00D755895S

(12) **United States Design Patent**
Garfinkle

(10) **Patent No.:** **US D755,895 S**
(45) **Date of Patent:** **** May 10, 2016**

(54) **MERCHANDISE TAG**

- (71) Applicant: **Clamp Swing Pricing Company**,
Oakland, CA (US)
 - (72) Inventor: **Benjamin Garfinkle**, Piedmont, CA
(US)
 - (73) Assignee: **Clamp Swing Pricing Company**,
Oakland, CA (US)
 - (**) Term: **14 Years**
 - (21) Appl. No.: **29/512,717**
 - (22) Filed: **Dec. 22, 2014**
 - (51) **LOC (10) Cl.** **19-08**
 - (52) **U.S. Cl.**
USPC **D20/27**
 - (58) **Field of Classification Search**
USPC D20/10, 19, 22-28, 40, 99
CPC G09F 1/00; G09F 1/02; G09F 1/06;
G09F 1/10; G09F 1/12; G09F 3/00; G09F
3/02; G09F 3/04; G09F 3/08; G09F 3/14;
G09F 3/10; G09F 3/16; G09F 3/18; G09F
3/20; G09F 3/203; G09F 3/207; G09F 3/0288;
G09F 3/0289; G09F 3/0292; G09F 3/0298;
G09F 2003/0208; G09F 2003/0264; G09F
2003/0266; G09F 2003/0267; G09F
2003/0269; G09F 2003/027; G09F 2003/0272;
G09F 2003/0273; G09F 2003/0285; D06F
89/023; A47G 1/06; F16M 13/02
- See application file for complete search history.

(56) **References Cited**

U.S. PATENT DOCUMENTS

D259,073	S	*	5/1981	Holmes	D20/27
D279,692	S	*	7/1985	Silkebakken	D20/27
D283,715	S	*	5/1986	Kayen	D20/22
5,075,991	A	*	12/1991	Wenkman	A47G 1/06 40/597
D356,832	S	*	3/1995	Maxwell-Trumble	D11/46
D403,709	S	*	1/1999	Norwood	D20/22
D490,112	S	*	5/2004	Hadzic	D20/27
D595,777	S	*	7/2009	Ward	D20/10
8,720,844	B2	*	5/2014	Westimayer	F16M 13/02 248/218.4
9,022,259	B2	*	5/2015	Breier	D06F 89/023 223/38
2005/0019518	A1	*	1/2005	Bollinger	G09F 3/10 428/40.1
2015/0082672	A1	*	3/2015	Peterson	A44C 3/001 40/1.6

* cited by examiner

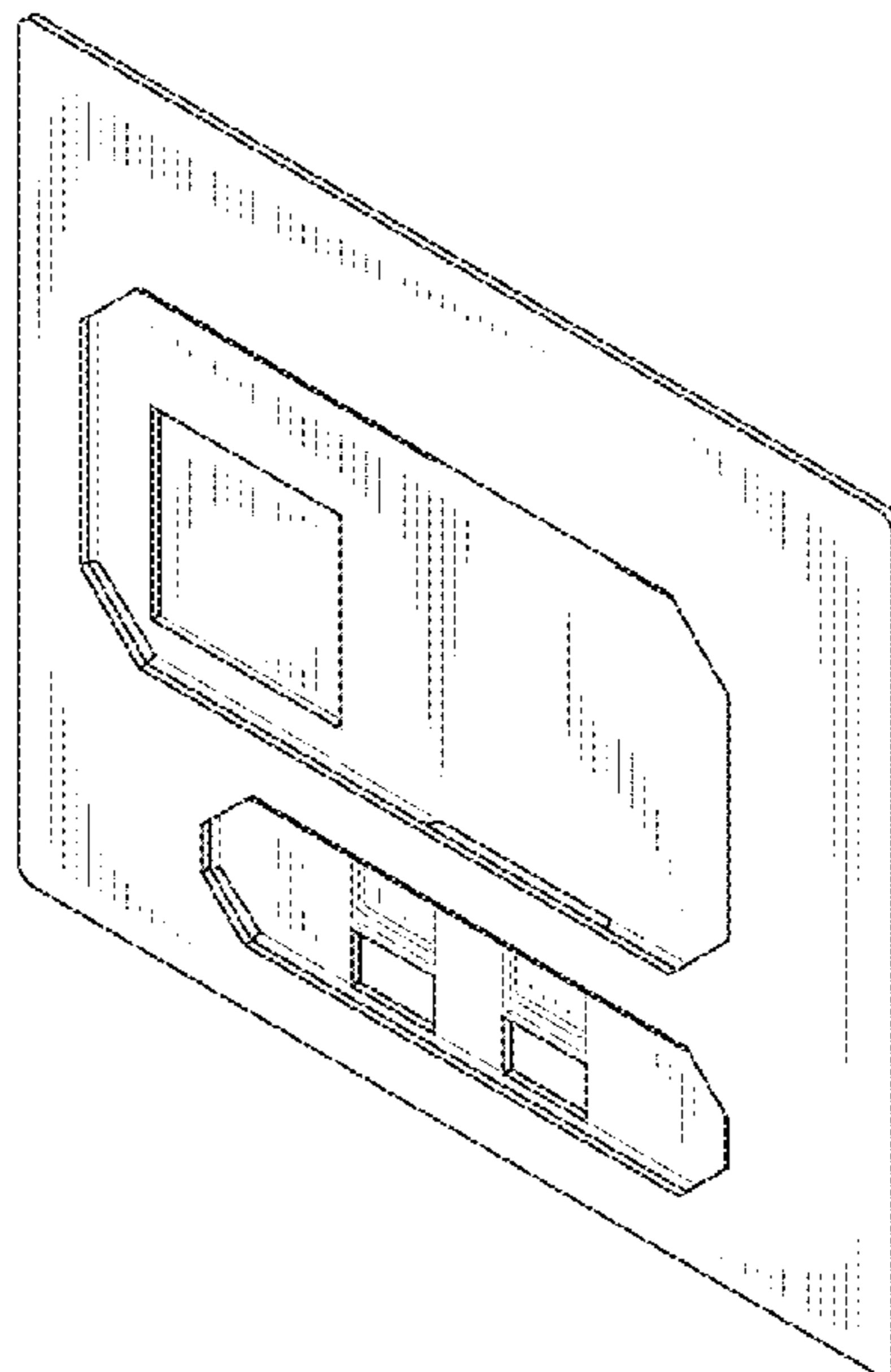
Primary Examiner — Mary Ann Calabrese
(74) *Attorney, Agent, or Firm* — Bay Area Technology Law Group PC

(57) **CLAIM**
The ornamental design for a merchandise tag, as shown and described.

DESCRIPTION

FIG. 1 is a perspective view of a merchandise tag showing my new design;
FIG. 2 is a front view of FIG. 1;
FIG. 3 is a rear view of FIG. 1;
FIG. 4 is a bottom view of FIG. 1;
FIG. 5 is a top view of FIG. 1;
FIG. 6 is a right side view of FIG. 1; and,
FIG. 7 is a left side view of FIG. 1.

1 Claim, 2 Drawing Sheets



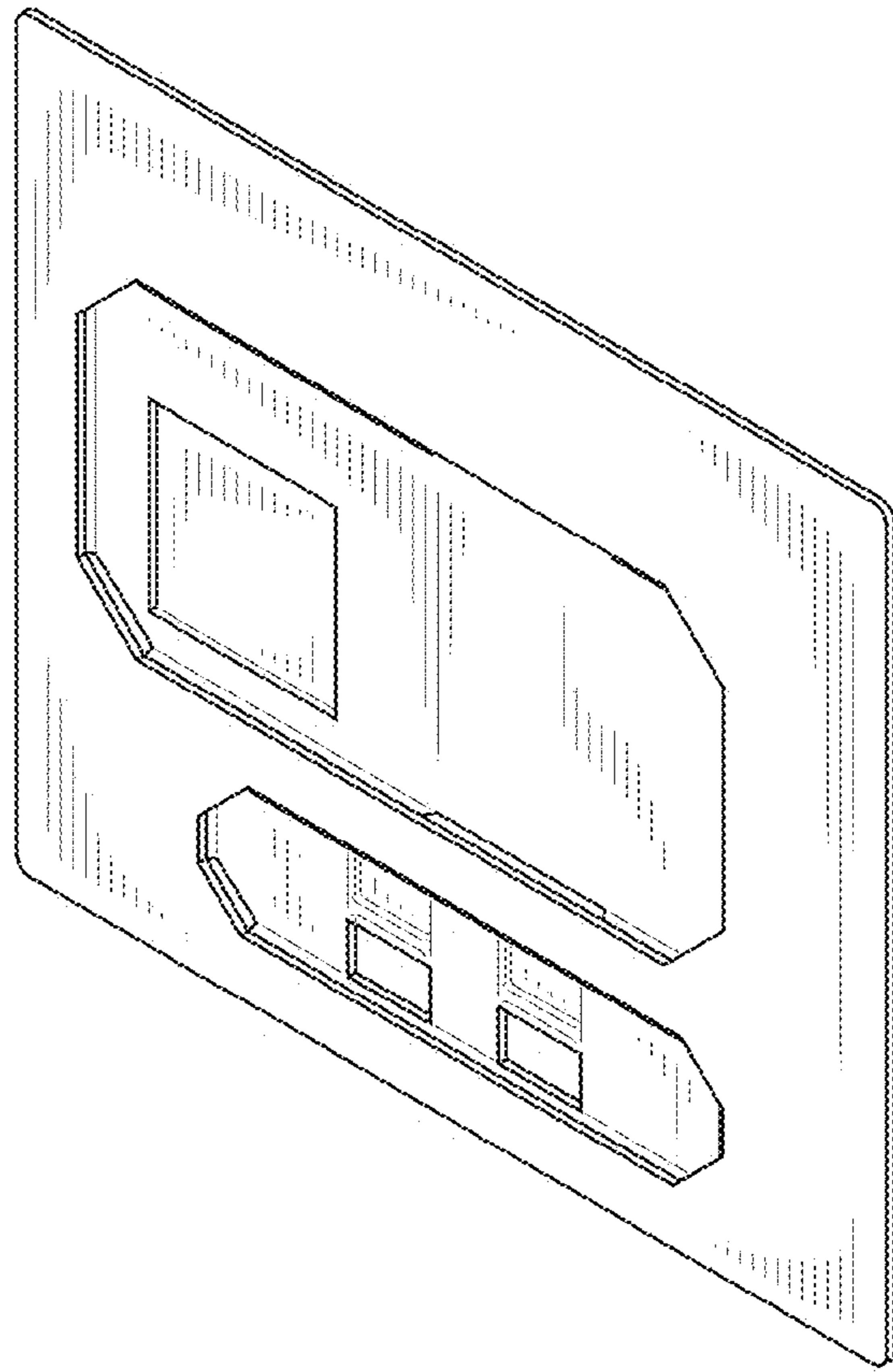


FIG. 1

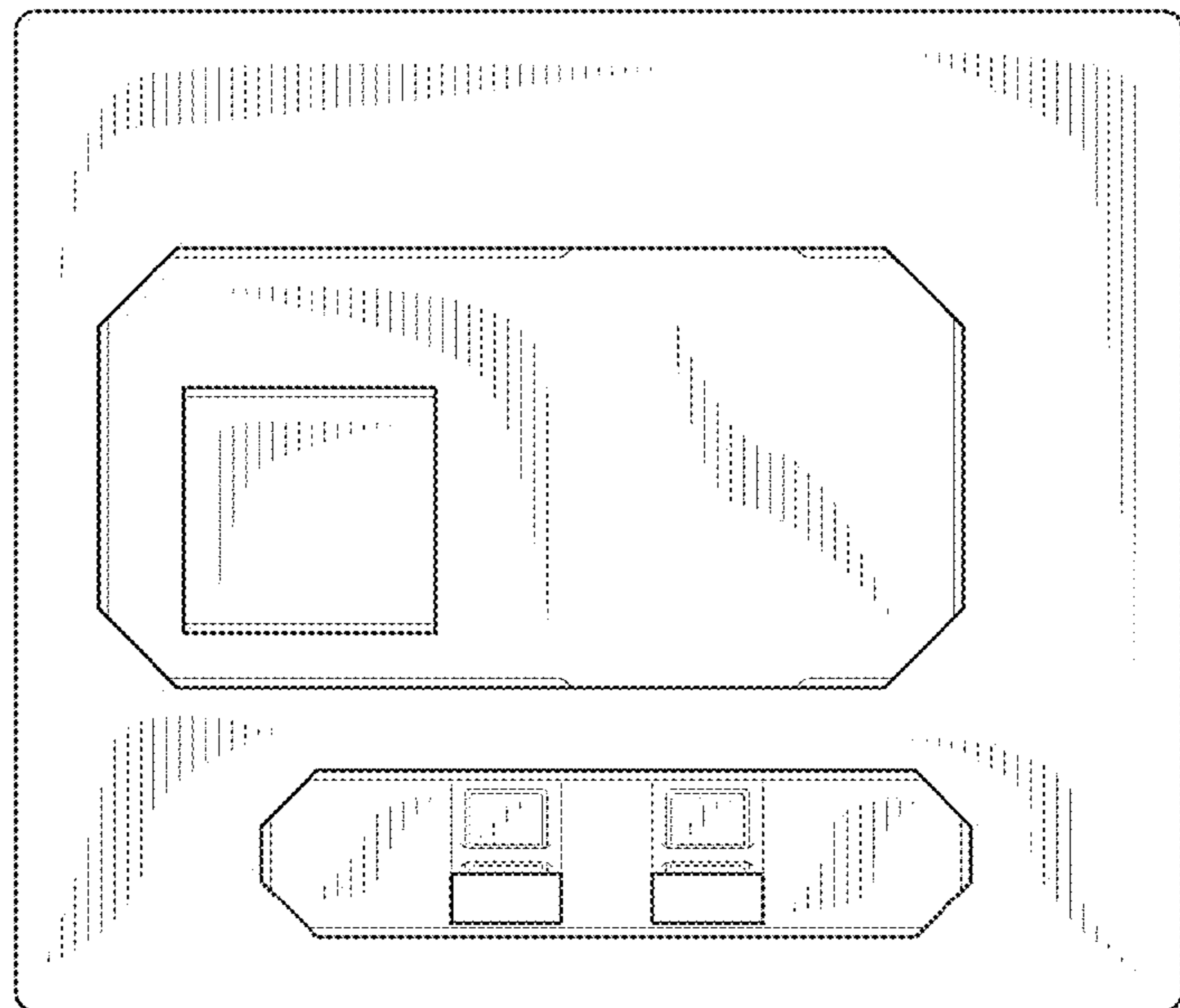


FIG. 2

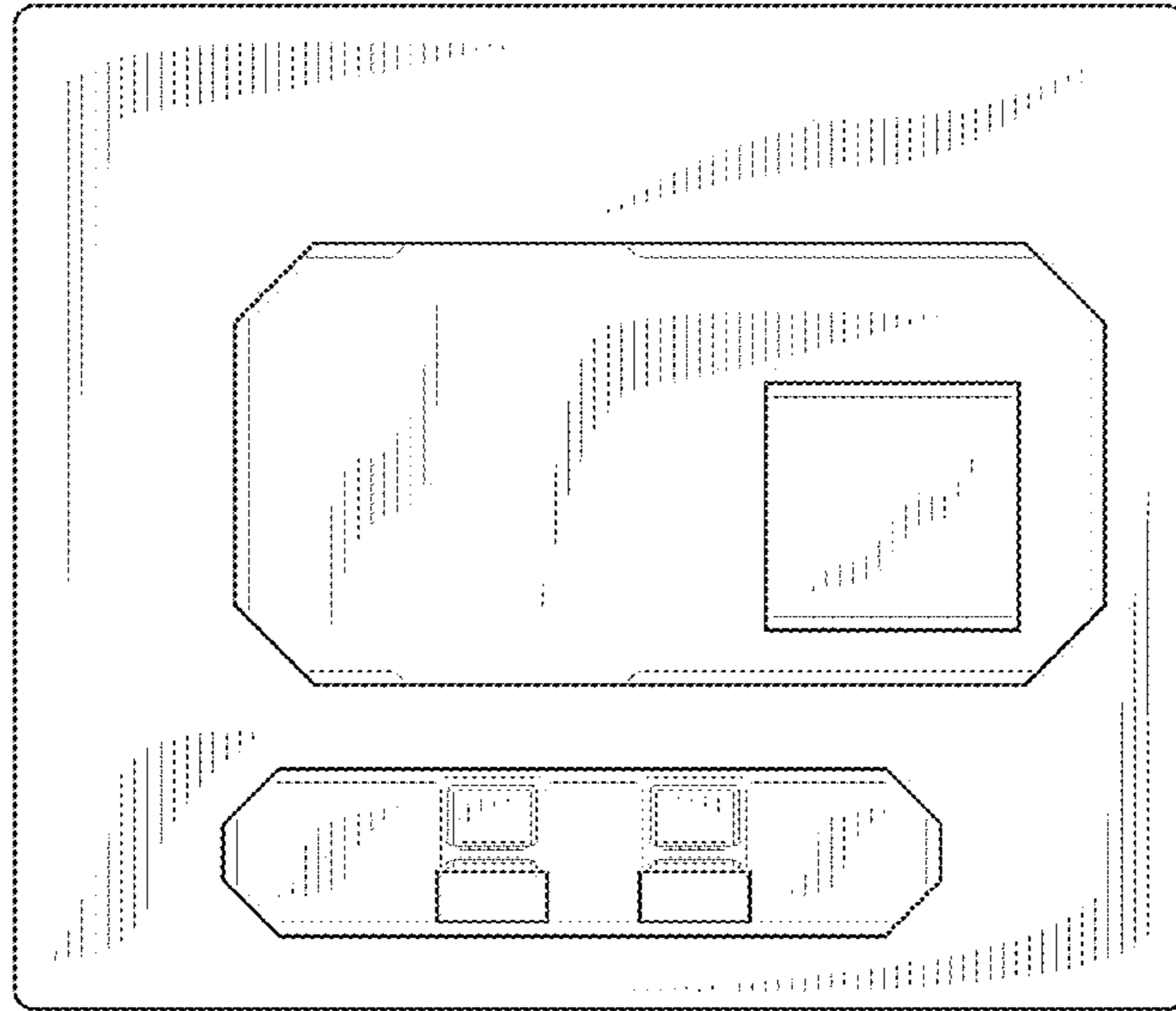


FIG. 3

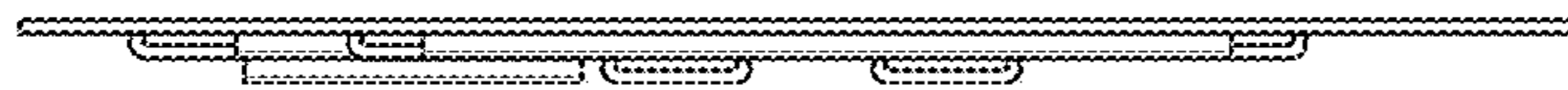


FIG. 4

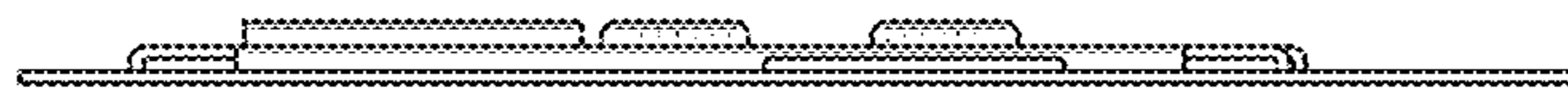


FIG. 5



FIG. 6

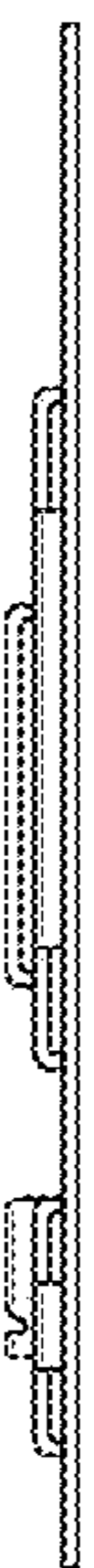


FIG. 7