



US00D755893S

(12) **United States Design Patent**  
**Howell**

(10) **Patent No.:** **US D755,893 S**  
(45) **Date of Patent:** **\*\* May 10, 2016**

(54) **DISPLAY BOARD**  
(71) Applicant: **Darren B. Howell**, Van Nuys, CA (US)  
(72) Inventor: **Darren B. Howell**, Van Nuys, CA (US)  
(\*\*) Term: **14 Years**  
(21) Appl. No.: **29/521,101**  
(22) Filed: **Mar. 19, 2015**  
(51) **LOC (10) Cl.** ..... **19-06**  
(52) **U.S. Cl.**  
USPC ..... **D19/113**  
(58) **Field of Classification Search**  
USPC ..... D6/300-314; D14/336, 341, 371, 374;  
D19/113, 114; D20/27, 42  
CPC ..... G09F 7/00; G09F 7/02; G09F 7/06;  
G09F 15/00; B43L 1/00; B43L 1/04; B43L  
4/12  
See application file for complete search history.

5,362,063 A \* 11/1994 Cummings ..... A63F 1/10  
108/27  
D391,987 S \* 3/1998 Jambhekar ..... D14/315  
D509,247 S \* 9/2005 Nash ..... D19/113  
6,971,644 B1 \* 12/2005 Kennedy ..... A47J 47/005  
269/289 R  
D520,562 S \* 5/2006 Nash ..... D19/113  
D521,068 S \* 5/2006 Newbould ..... D19/113  
7,055,275 B1 \* 6/2006 Teza ..... A47G 1/065  
40/674  
D588,126 S \* 3/2009 Chiang ..... D14/345  
D601,187 S \* 9/2009 Davis ..... D19/26  
D610,612 S \* 2/2010 Rhee ..... D19/26  
D626,124 S \* 10/2010 Chyan ..... D14/341  
D641,794 S \* 7/2011 Yi ..... D20/42  
D688,745 S \* 8/2013 Lyons ..... D19/113  
D709,492 S \* 7/2014 Ahn ..... D14/345  
D709,493 S \* 7/2014 Ahn ..... D14/345  
D709,494 S \* 7/2014 Ahn ..... D14/345  
D710,354 S \* 8/2014 Ahn ..... D14/345  
D734,394 S \* 7/2015 Lyons ..... D19/113

\* cited by examiner

*Primary Examiner* — Elizabeth Albert  
(74) *Attorney, Agent, or Firm* — Sean D. Burdick

(56) **References Cited**  
U.S. PATENT DOCUMENTS

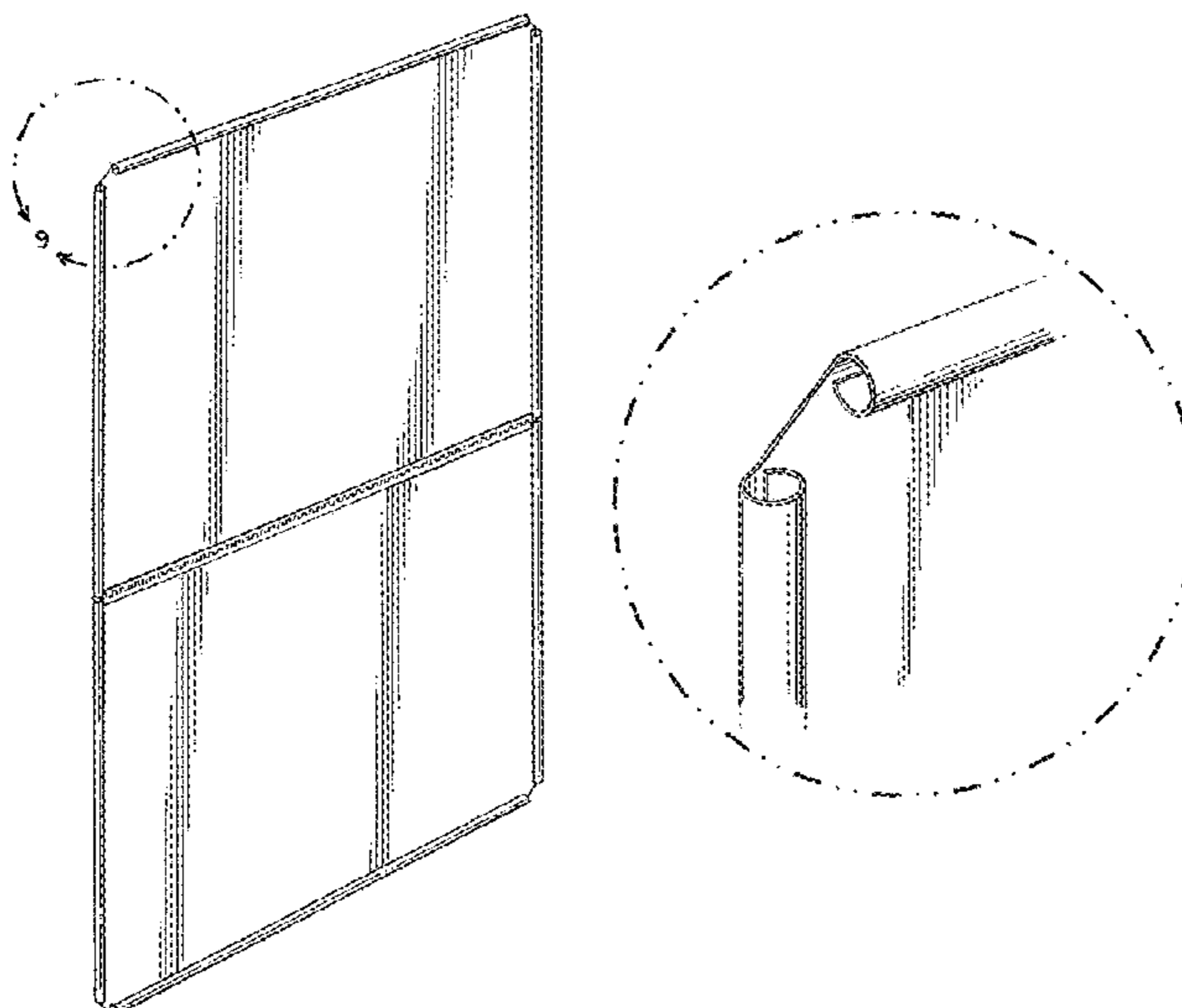
D38,393 S \* 1/1907 Rice ..... D6/309  
D59,503 S \* 10/1921 Mendelsohn ..... D6/300  
2,057,942 A \* 10/1936 Fay ..... A63H 33/108  
217/65  
2,304,795 A \* 12/1942 Bricker ..... A47G 1/142  
248/453  
D147,767 S \* 10/1947 Suman ..... D6/300  
D149,121 S \* 3/1948 Golden ..... D6/314  
2,749,636 A \* 6/1956 Viglietta ..... G09F 1/00  
40/755  
2,919,512 A \* 1/1960 Higgins ..... A47G 1/141  
248/459  
3,215,450 A \* 11/1965 Peterson ..... B42D 1/02  
281/29  
3,574,956 A \* 4/1971 Hamelin ..... B43L 1/12  
434/425  
D246,180 S \* 10/1977 Yamauchi ..... D19/113  
D328,470 S \* 8/1992 Costello ..... D19/26

(57) **CLAIM**  
The ornamental design for a display board, as shown and described.

**DESCRIPTION**

FIG. 1 is a perspective view of a display board showing my new design.  
FIG. 2 is a rear view thereof.  
FIG. 3 is a front view thereof.  
FIG. 4 is a side view thereof.  
FIG. 5 is an opposite side view from that shown in FIG. 4.  
FIG. 6 is an end view thereof.  
FIG. 7 is an opposite end view from that shown in FIG. 6.  
FIG. 8 is a perspective view thereof showing the display board in a folded state; and,  
FIG. 9 is a detail perspective view of the design shown in FIG. 1.

**1 Claim, 7 Drawing Sheets**



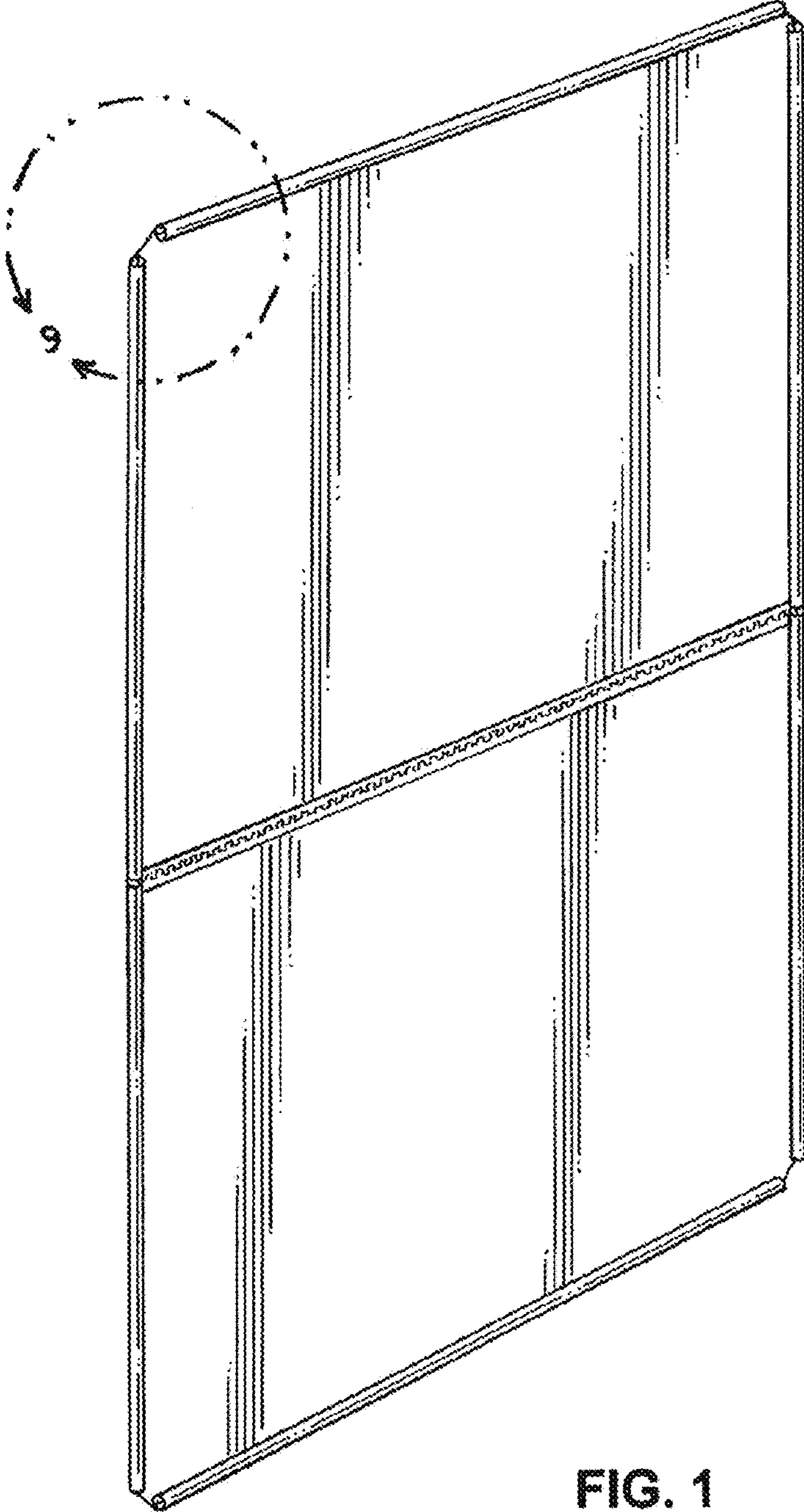


FIG. 1

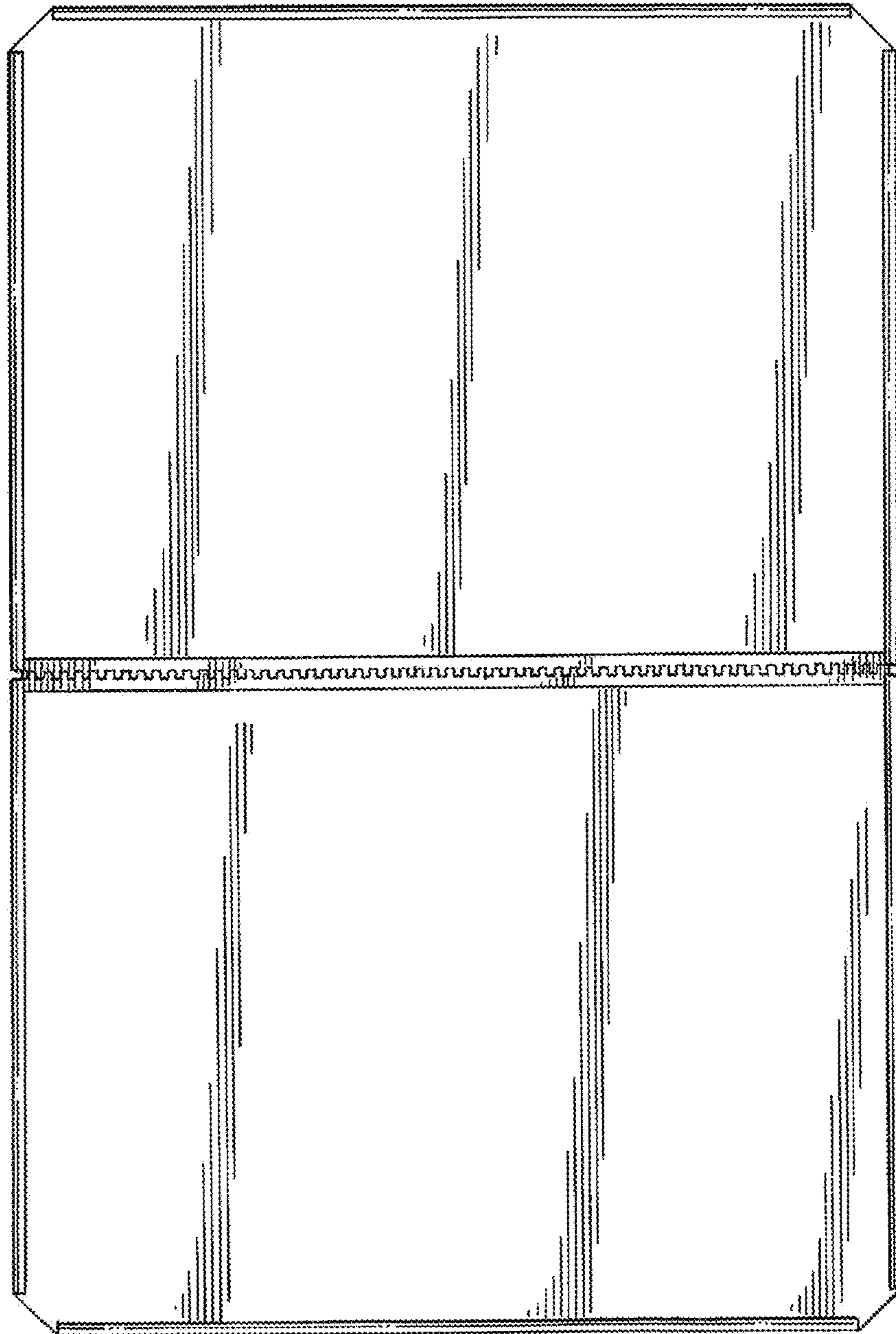


FIG. 2

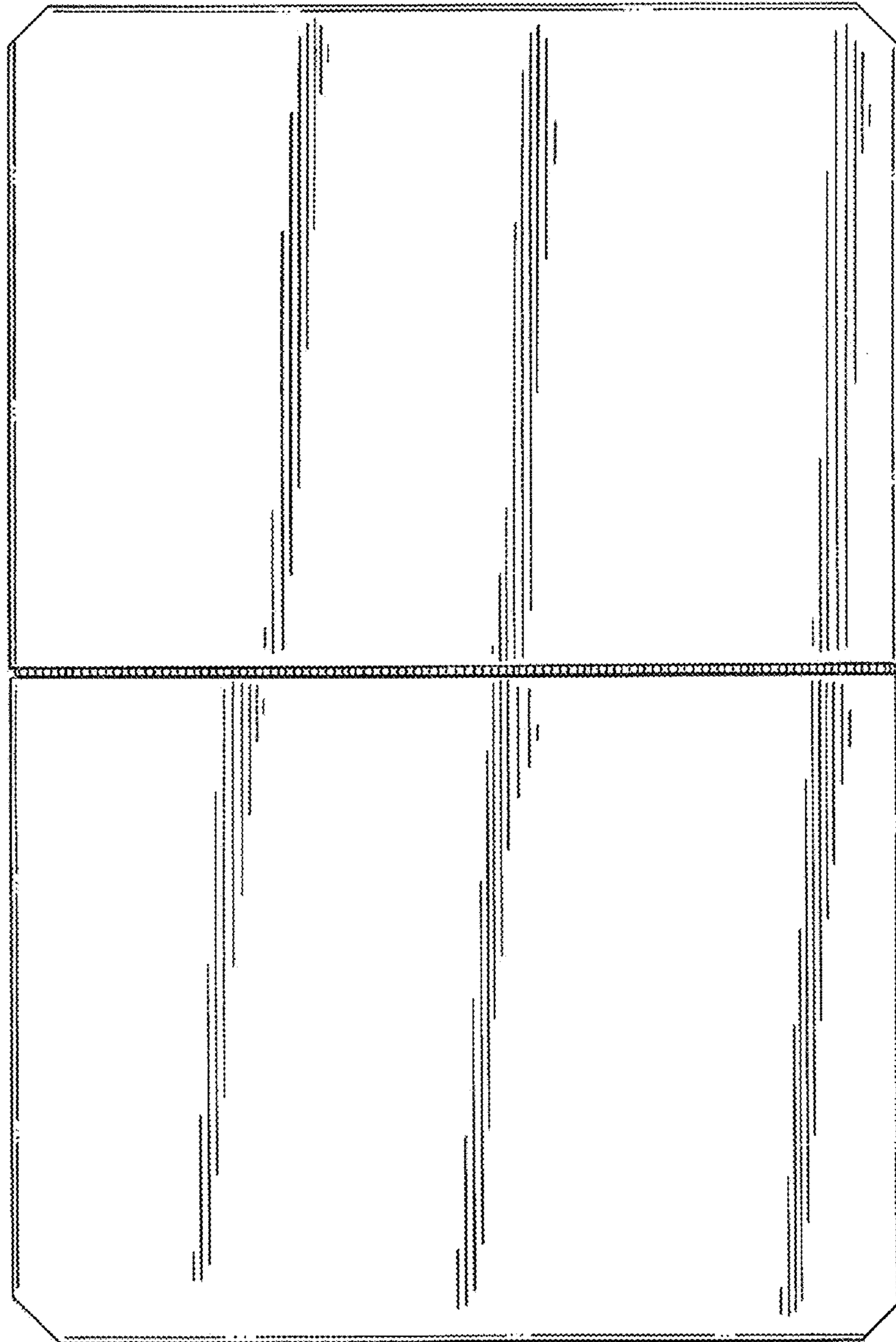


FIG. 3



FIG. 4



FIG. 5

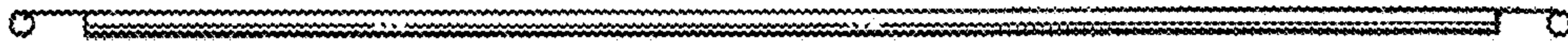


FIG. 6

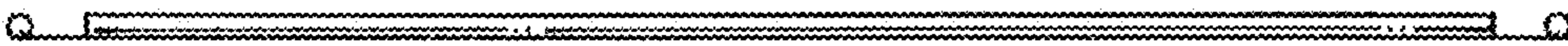


FIG. 7

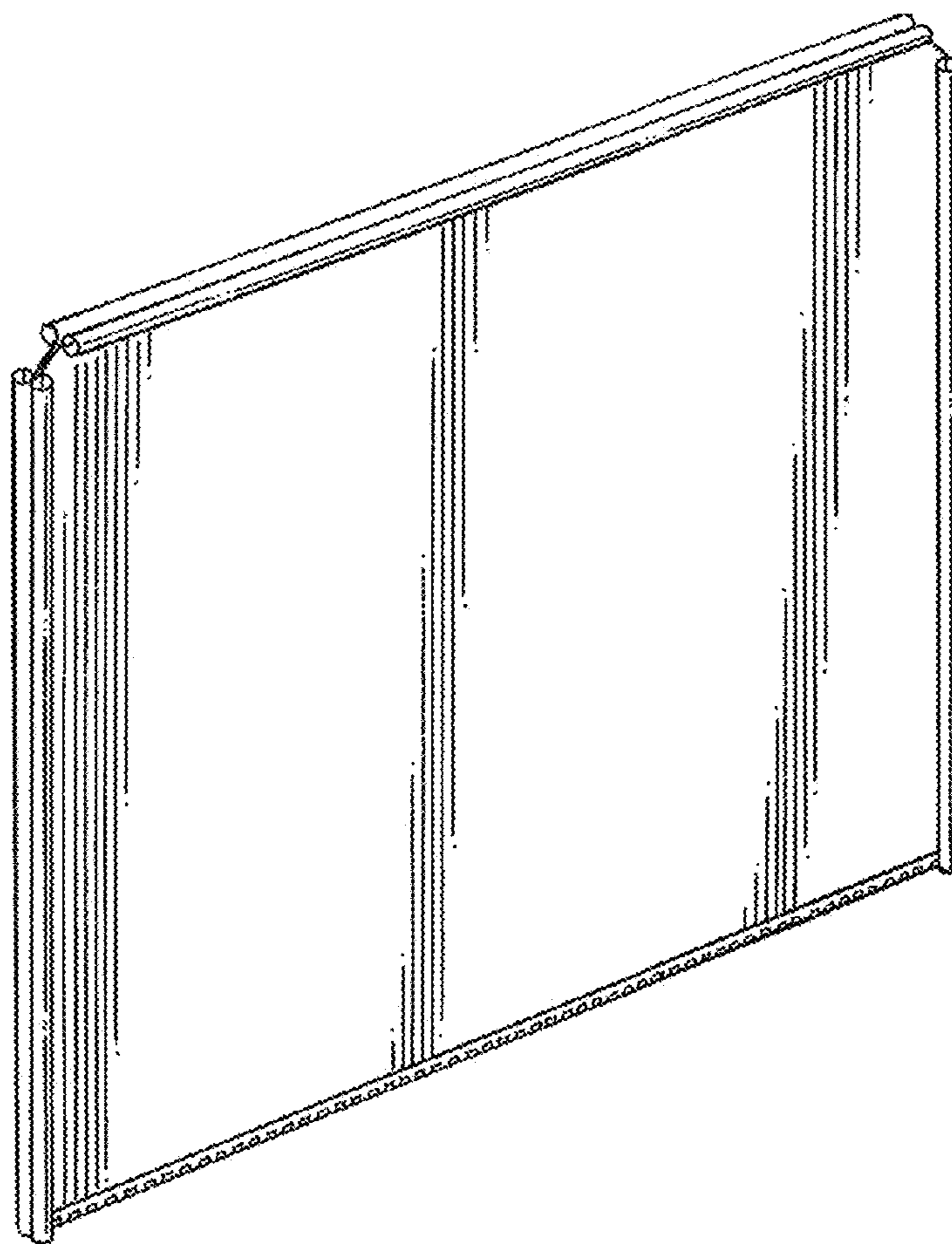


FIG. 8

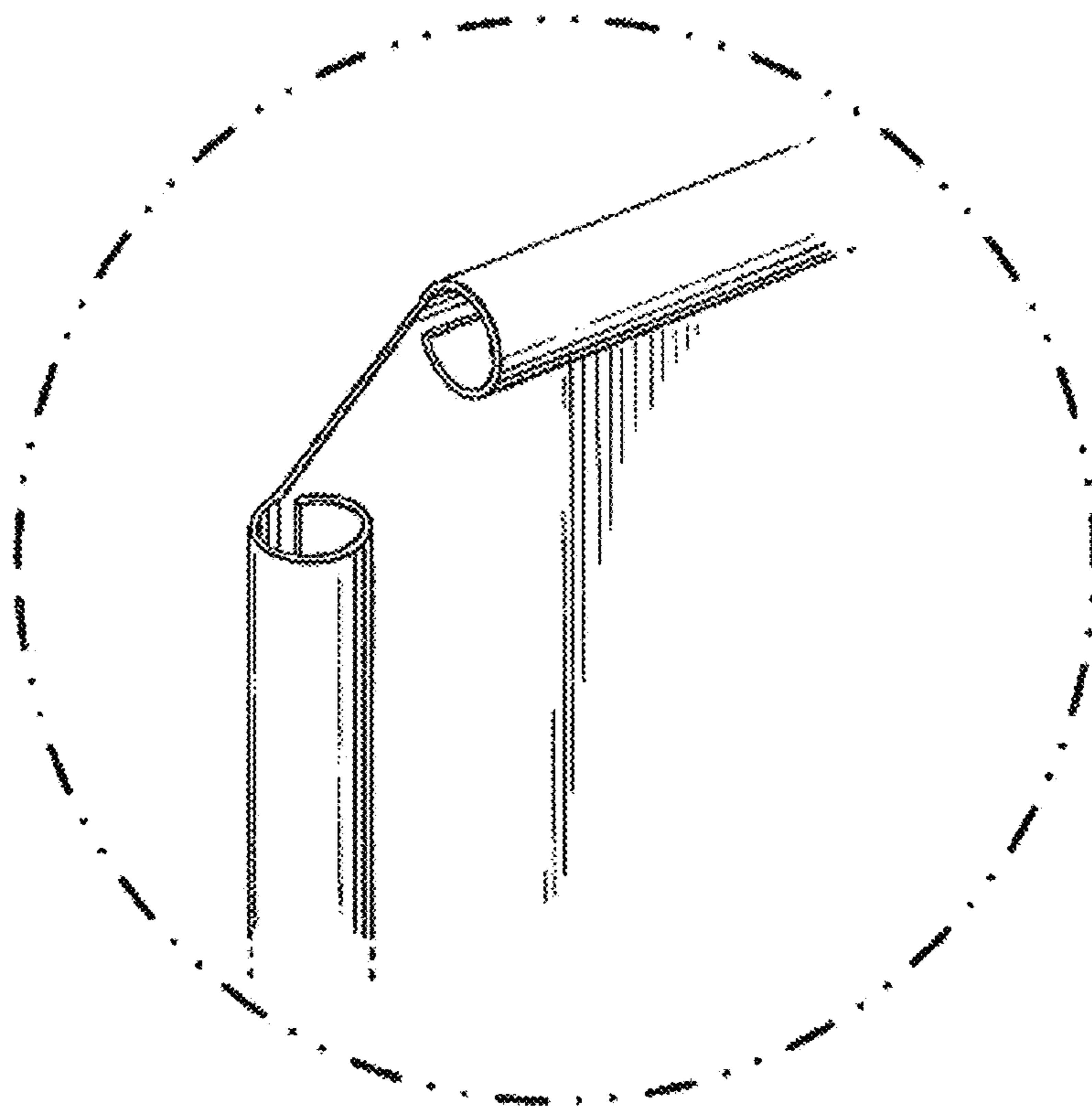


FIG. 9