



US00D755892S

(12) **United States Design Patent**
Costas

(10) **Patent No.:** **US D755,892 S**

(45) **Date of Patent:** **** May 10, 2016**

(54) **NOTE HOLDER**

(71) Applicant: **Trophius Pty Ltd.**, Mascot, New South Wales (AU)

(72) Inventor: **Eric Costas**, Mascot (AU)

(73) Assignee: **Trophius Pty Ltd.**, Mascot (AU)

(**) Term: **14 Years**

(21) Appl. No.: **29/511,315**

(22) Filed: **Dec. 9, 2014**

Related U.S. Application Data

(62) Division of application No. 29/484,104, filed on Mar. 6, 2014, now Pat. No. Des. 719,217.

(51) **LOC (10) Cl.** **19-02**

(52) **U.S. Cl.**
USPC **D19/86**

(58) **Field of Classification Search**
USPC D19/86, 87, 88, 89, 90, 91, 92, 65;
D8/349, 354, 394, 395
CPC B42F 9/001; B42F 9/002; B42F 9/004;
B42L 3/005; B43L 5/02; B43L 3/005; B42D
5/005; B42D 5/006; B42D 5/007; B42D
5/008

See application file for complete search history.

(56) **References Cited**

U.S. PATENT DOCUMENTS

D26,461 S	12/1896	Sassenhoff	
819,504 A	5/1906	Benedict	
921,271 A *	5/1909	Munger D06F 55/00 24/115 H
1,618,384 A	2/1927	Morris	
1,730,241 A	10/1929	Porter	
1,973,989 A	9/1934	Lukacs	
D118,748 S	1/1940	Sprague	
2,335,903 A *	12/1943	Beckett B42F 1/10 24/563
2,468,355 A	4/1949	Ambler	

D159,576 S	8/1950	Bamford	
2,779,114 A	1/1957	Orthwine	
2,779,650 A	1/1957	Lamothe	
3,090,347 A *	5/1963	Harnett, Jr. B42D 3/14 116/237
D218,874 S	9/1970	Whittaker	
3,604,727 A	9/1971	Wilkin	
4,096,655 A *	6/1978	Ullman, Jr. G09F 3/06 40/666
D251,124 S *	2/1979	Takeuchi D19/65
D268,848 S *	5/1983	Lorber D19/65

(Continued)

FOREIGN PATENT DOCUMENTS

AU	346443	1/2013
AU	346543	1/2013

OTHER PUBLICATIONS

<http://www.officedepot.com/a/products/352108/Office-Depot-Brand-4-Piece-Stainless/>, Office Depot Brand 4 Piece Stainless Steel Magnet Hook Set Assorted Shapes, 1 color sheet, date unknown, but prior to the filing of this application.

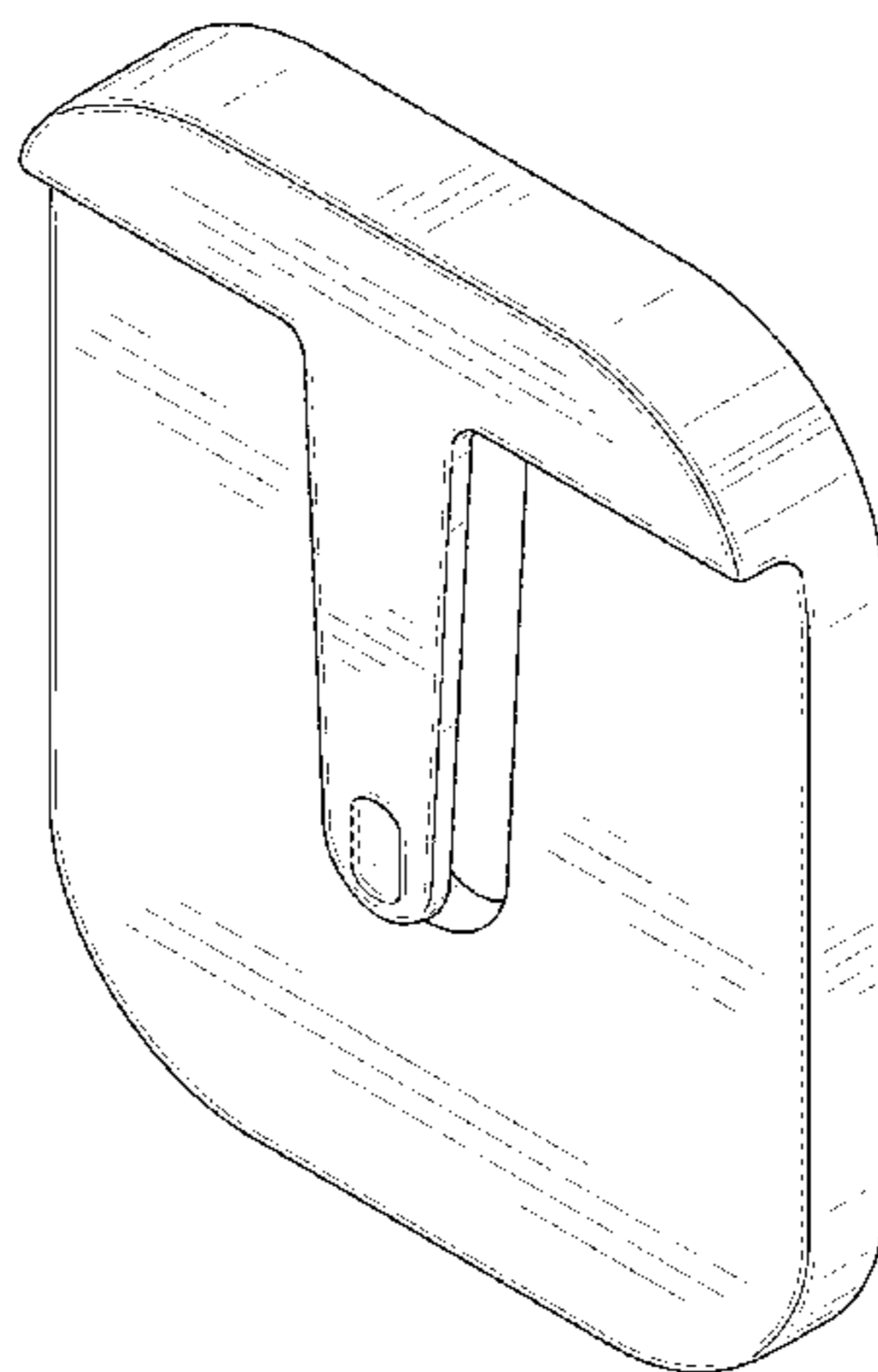
Primary Examiner — Elizabeth Albert
(74) *Attorney, Agent, or Firm* — Banner & Witcoff, Ltd.

(57) **CLAIM**
The ornamental design for a note holder, as shown and described.

DESCRIPTION

FIG. 1 is a perspective view for a note holder showing my new design;
FIG. 2 a front view thereof;
FIG. 3 is a top view thereof;
FIG. 4 is a bottom view thereof;
FIG. 5 is a right side view thereof; and,
FIG. 6 is a left side view thereof.
The broken line showing of the remainder of the note holder is for environmental purposes only and forms no part of the claimed design.

1 Claim, 4 Drawing Sheets



(56)

References Cited

U.S. PATENT DOCUMENTS

4,528,800 A 7/1985 Burns
 D305,036 S * 12/1989 Voetsch D19/34
 D316,275 S 4/1991 Davis et al.
 D318,625 S 7/1991 Stowell
 D327,095 S * 6/1992 Meyer D19/65
 D332,220 S * 1/1993 Specht D11/218
 5,214,825 A 6/1993 Hirzel
 5,339,967 A 8/1994 Valiulis
 5,975,478 A 11/1999 Marino
 D445,457 S 7/2001 Brumby
 D451,134 S 11/2001 Fonfeder
 D463,824 S 10/2002 Kan

D467,973 S * 12/2002 Rosen D19/65
 D479,558 S * 9/2003 Lorber D19/65
 D486,865 S 2/2004 Ivey
 D487,289 S 3/2004 Richter
 7,040,051 B2 5/2006 Windorski
 7,100,884 B2 9/2006 Lorber
 7,857,127 B2 * 12/2010 Lau B42D 5/005
 206/223
 D645,515 S 9/2011 Williams, Sr.
 D664,200 S 7/2012 Lau
 8,510,916 B2 8/2013 Kinvi
 D703,267 S 4/2014 Harvey Pennaz
 D715,859 S * 10/2014 Costas D19/86
 2013/0161473 A1 6/2013 Gandiboyina
 2013/0200228 A1 8/2013 Costas

* cited by examiner

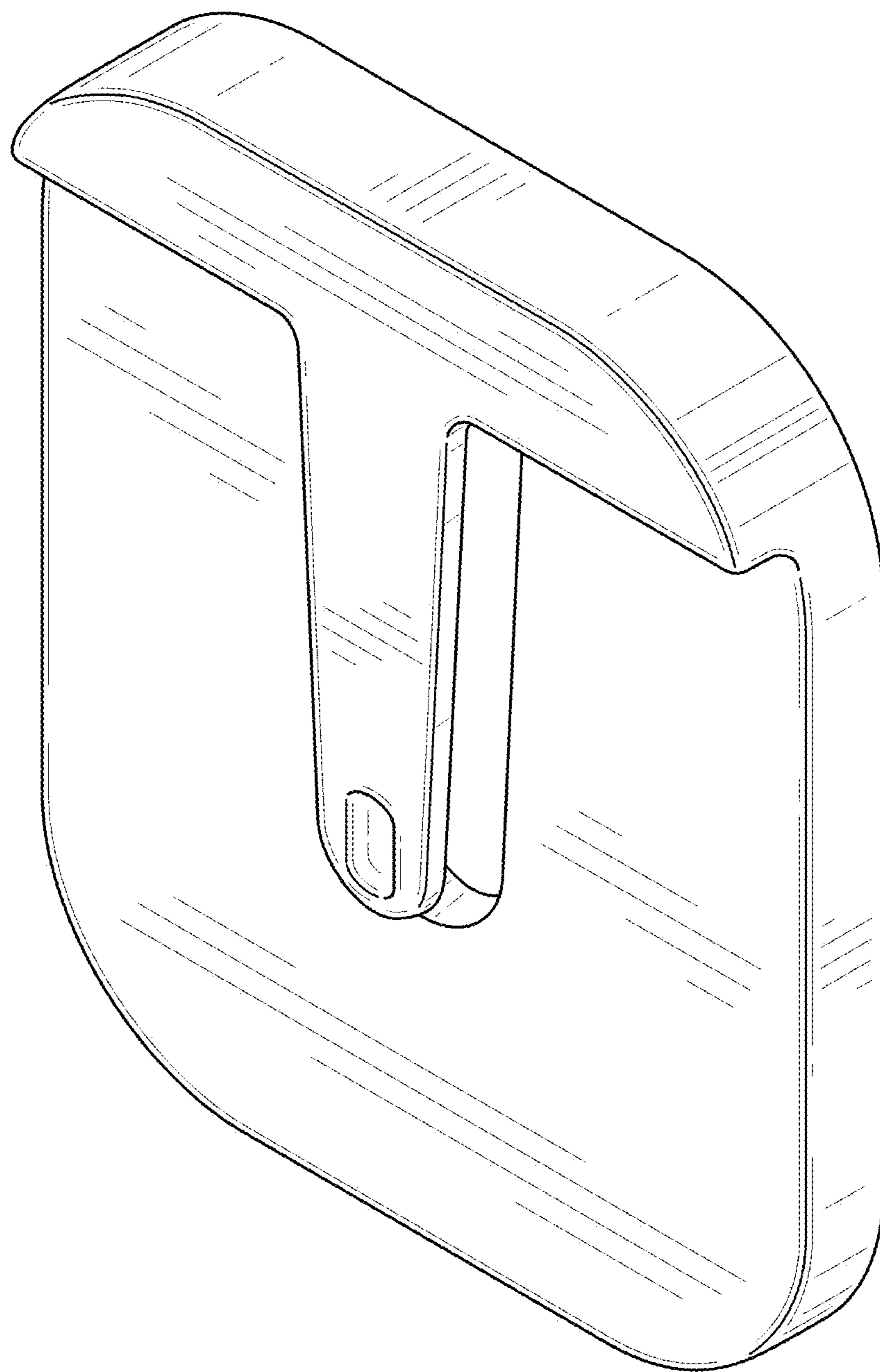


FIG. 1

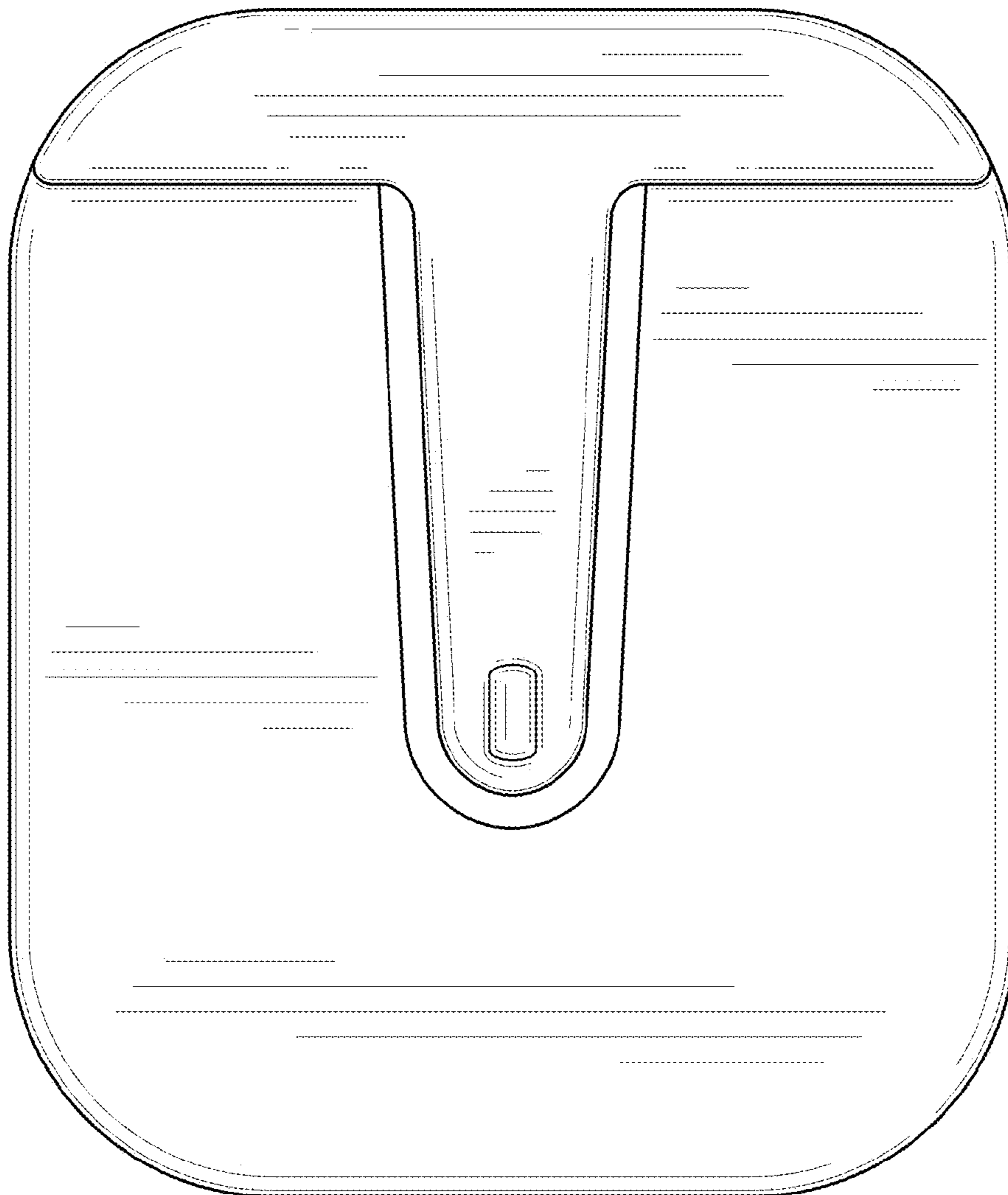


FIG. 2

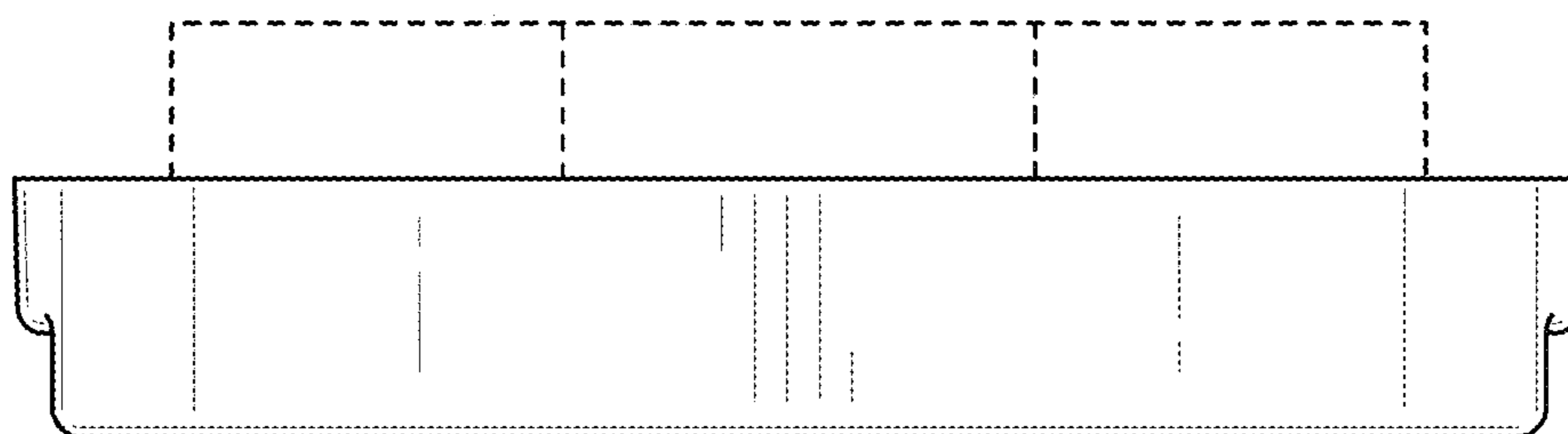


FIG. 3

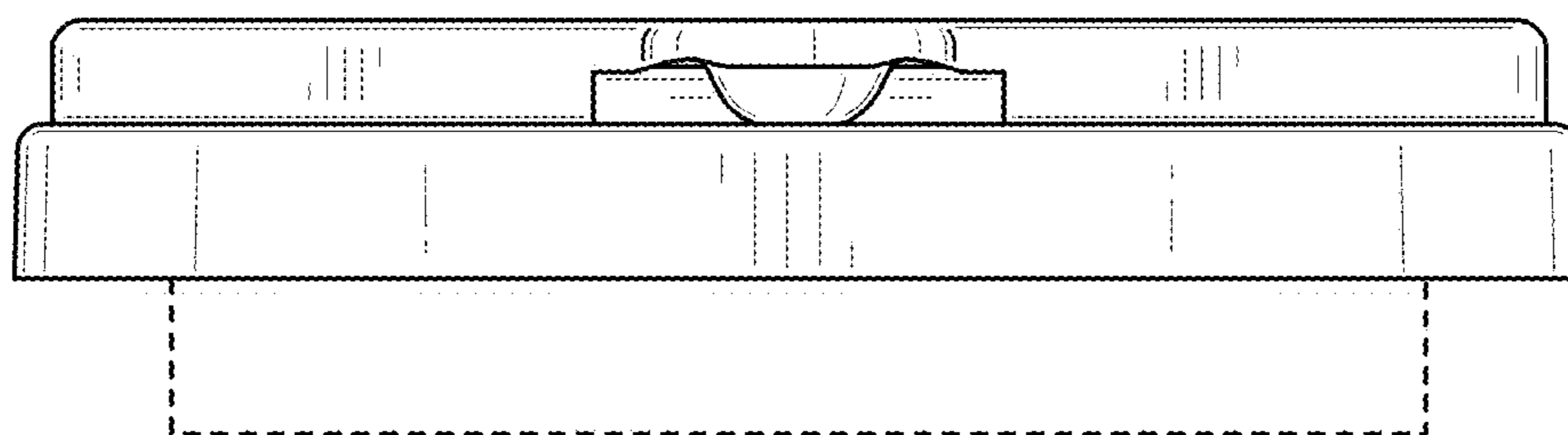


FIG. 4

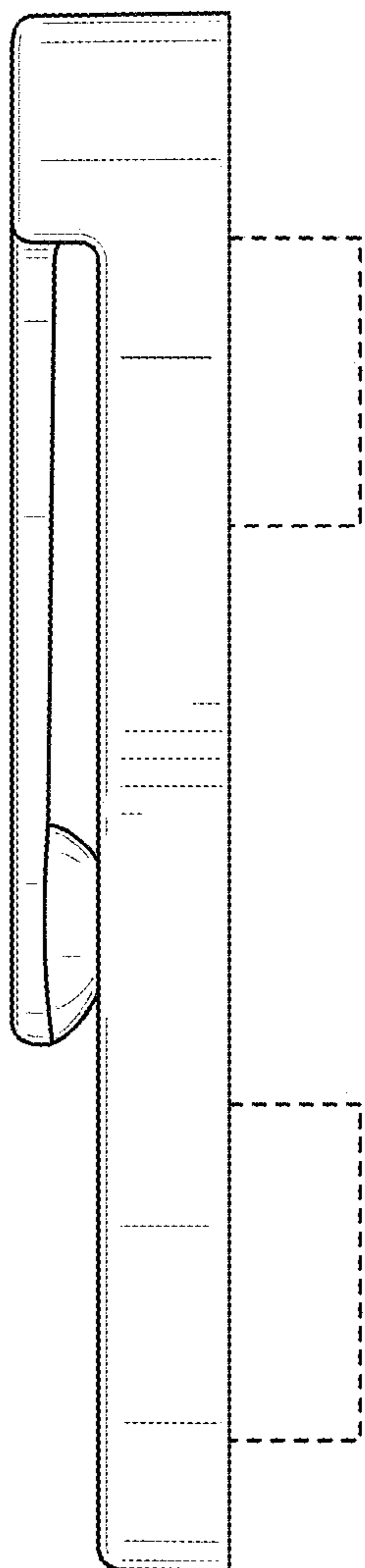


FIG. 5

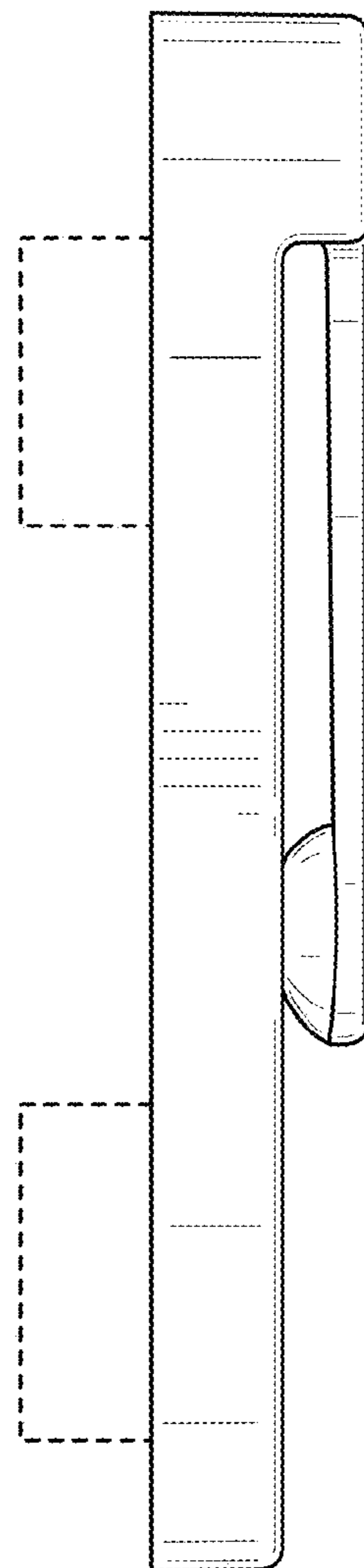


FIG. 6