

US00D755891S

(12) **United States Design Patent**
Chinitz

(10) **Patent No.:** **US D755,891 S**

(45) **Date of Patent:** **** *May 10, 2016**

(54) **EDUCATIONAL GRAPH DEVICE**

(71) Applicant: **Ron Chinitz**, Marina Del Rey, CA (US)

(72) Inventor: **Ron Chinitz**, Marina Del Rey, CA (US)

(*) Notice: This patent is subject to a terminal disclaimer.

(**) Term: **14 Years**

(21) Appl. No.: **29/495,237**

(22) Filed: **Jun. 27, 2014**

(51) **LOC (10) Cl.** **19-07**

(52) **U.S. Cl.**
USPC **D19/62**

(58) **Field of Classification Search**
USPC D19/59-64, 26, 101, 37-40, 192, 100;
D21/468, 472, 333; 434/90, 210-211,
434/300, 430; D18/15-18, 99; 101/372,
101/405; D14/149-150, 240, 142;
D10/104.1; D13/168

See application file for complete search history.

(56) **References Cited**

U.S. PATENT DOCUMENTS

D175,173 S *	7/1955	Kress	D18/15
D291,703 S *	9/1987	Fink et al.	D18/15
D342,732 S *	12/1993	Hinman et al.	D14/150
D413,021 S *	8/1999	Wheatley et al.	D14/240
D426,786 S *	6/2000	Chery	D10/104.1
D460,753 S *	7/2002	Hill et al.	D14/240
D471,542 S *	3/2003	Sim	D14/240
D480,103 S *	9/2003	Stefanski et al.	D18/15

D481,371 S *	10/2003	Chen	D14/150
D488,794 S *	4/2004	Chen	D14/150
D491,909 S *	6/2004	Sun	D14/150
D496,005 S *	9/2004	Wang	D13/168
D556,179 S *	11/2007	Chang	D14/150
D557,676 S *	12/2007	Suzuki et al.	D14/149
D558,728 S *	1/2008	Murakami	D14/150
D568,381 S *	5/2008	Shih	D18/15
D570,820 S *	6/2008	Katori	D14/149
D616,922 S *	6/2010	Faber	D18/18
D651,258 S *	12/2011	Rivard et al.	D21/333
D685,755 S *	7/2013	Shin et al.	D14/142
D688,326 S *	8/2013	Colwell	D21/472
D715,858 S *	10/2014	Chinitz	D19/62

* cited by examiner

Primary Examiner — T. Chase Nelson

Assistant Examiner — Mark Cavanna

(74) *Attorney, Agent, or Firm* — Michael N. Cohen; Cohen IP Law Group P.C.

(57) **CLAIM**

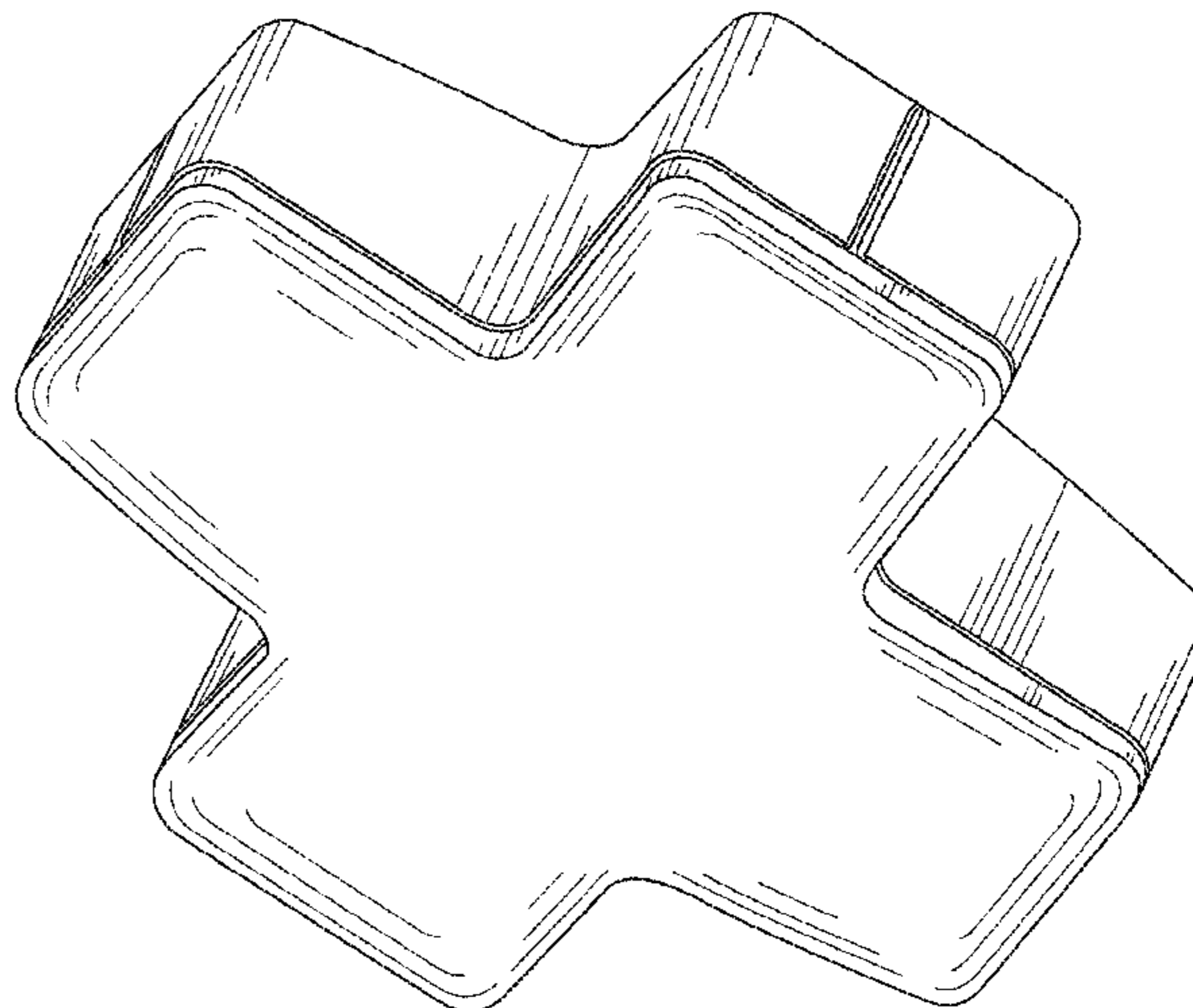
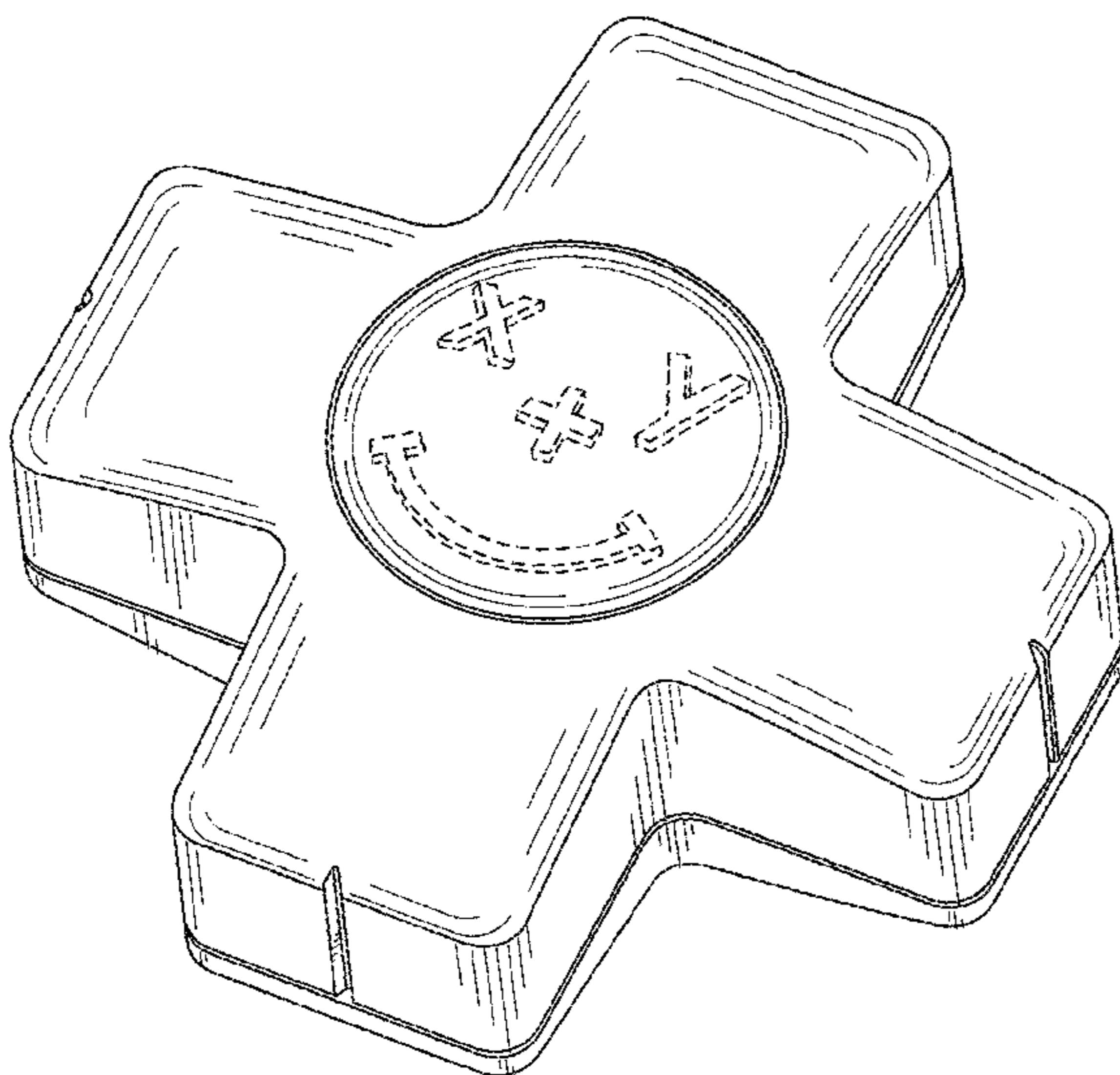
I claim the ornamental design for the educational graph device, as shown and described.

DESCRIPTION

FIG. 1: Top Perspective View of the educational graph device;
FIG. 2: Bottom Perspective View of FIG. 1;
FIG. 3: Side Elevation View of FIG. 1;
FIG. 4: Top Plan View of FIG. 1;
FIG. 5: Bottom Plan View of FIG. 1; and,
FIG. 6: Front Elevation View of FIG. 1.

The broken lines are included for the purpose of illustrating portions of the educational graph device that form no part of the claimed design.

1 Claim, 6 Drawing Sheets



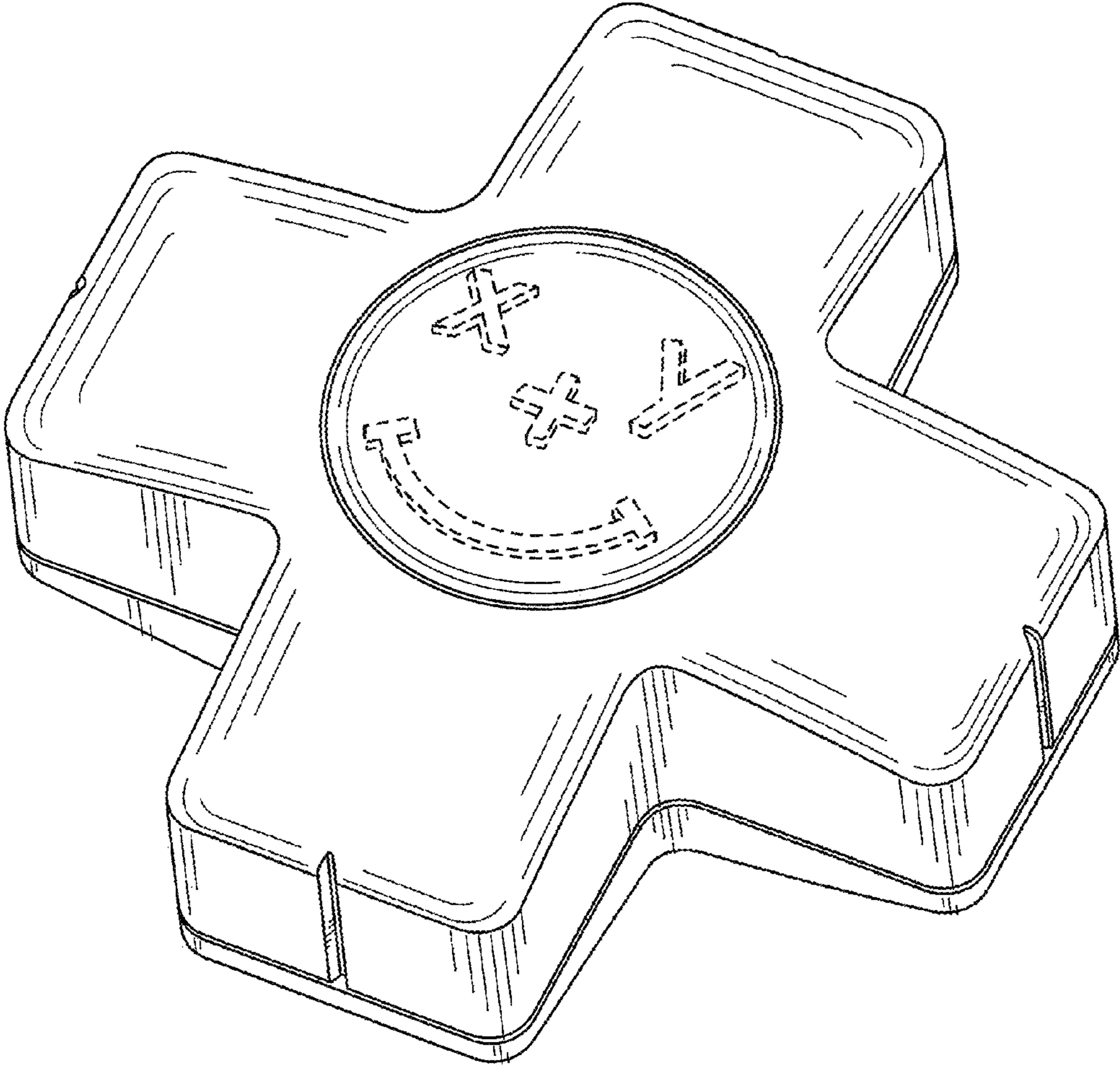


FIG. 1

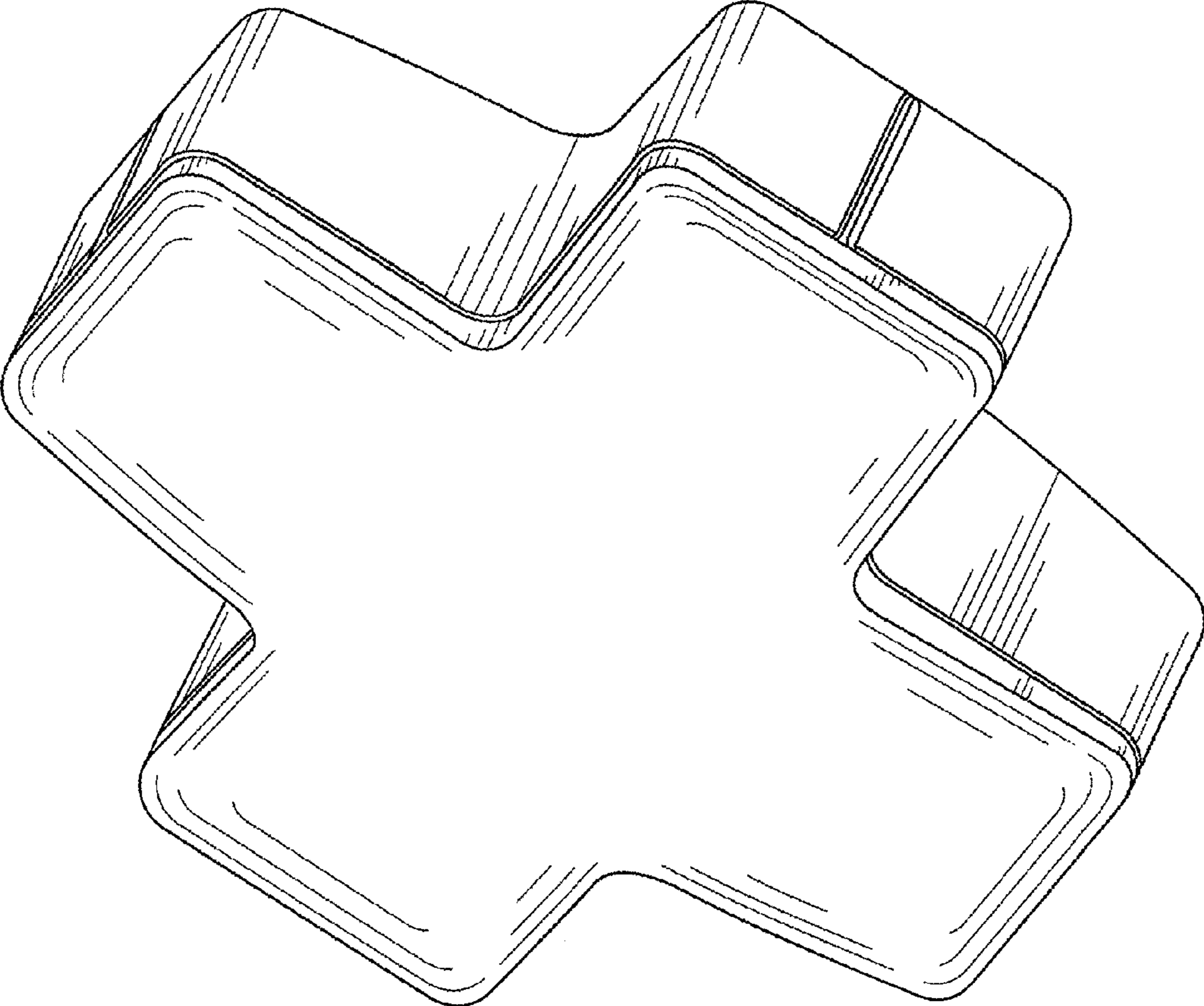


FIG. 2

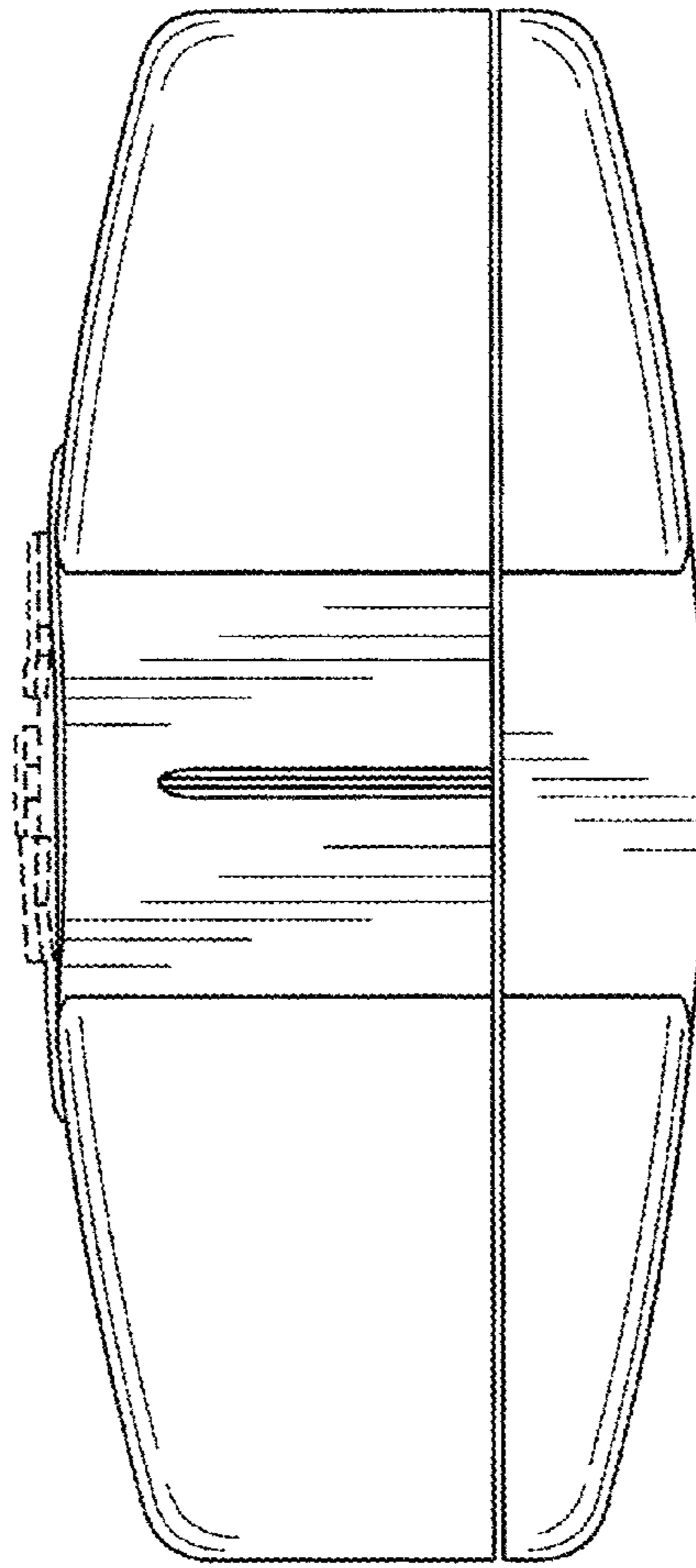


FIG. 3

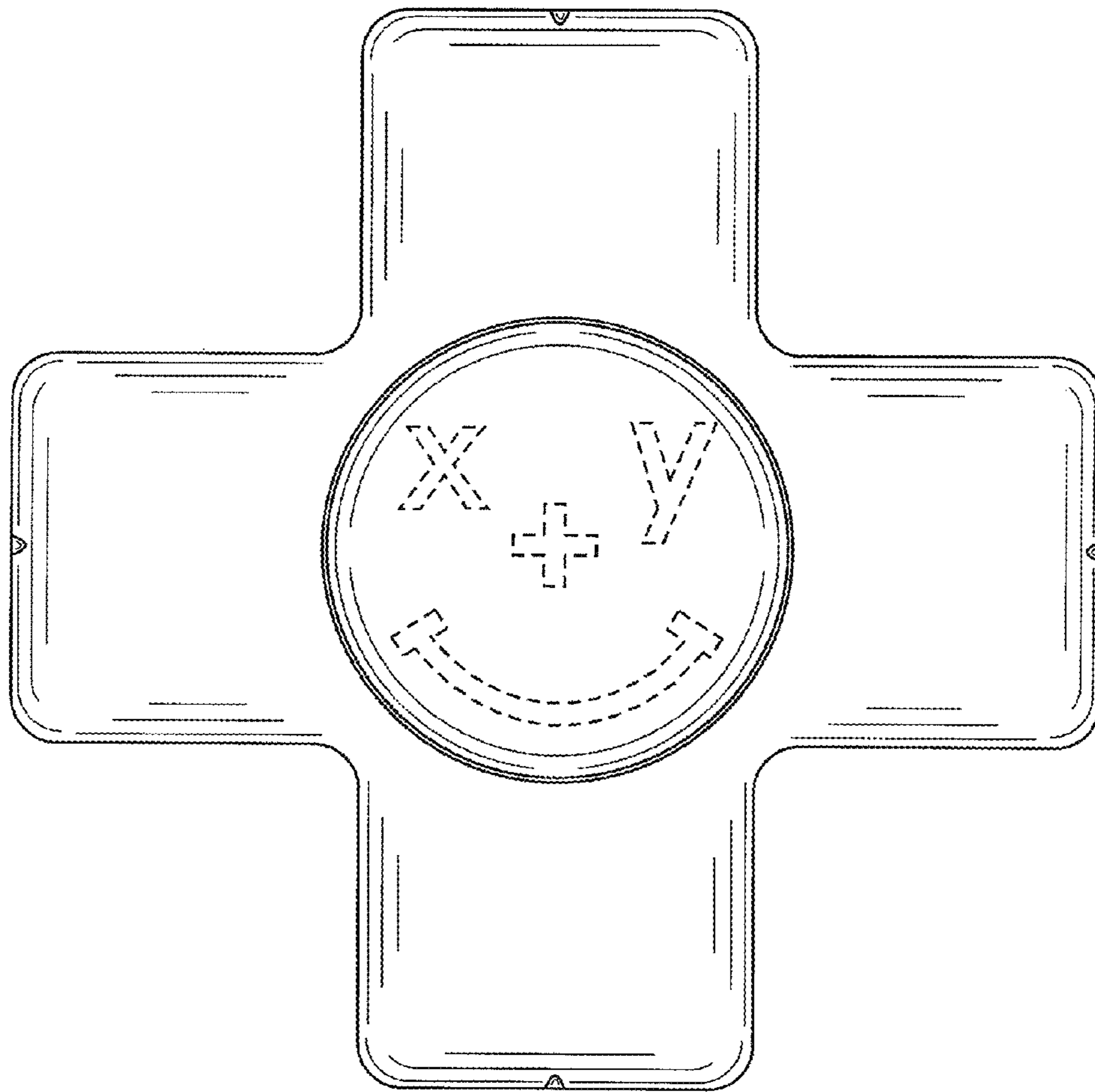


FIG. 4

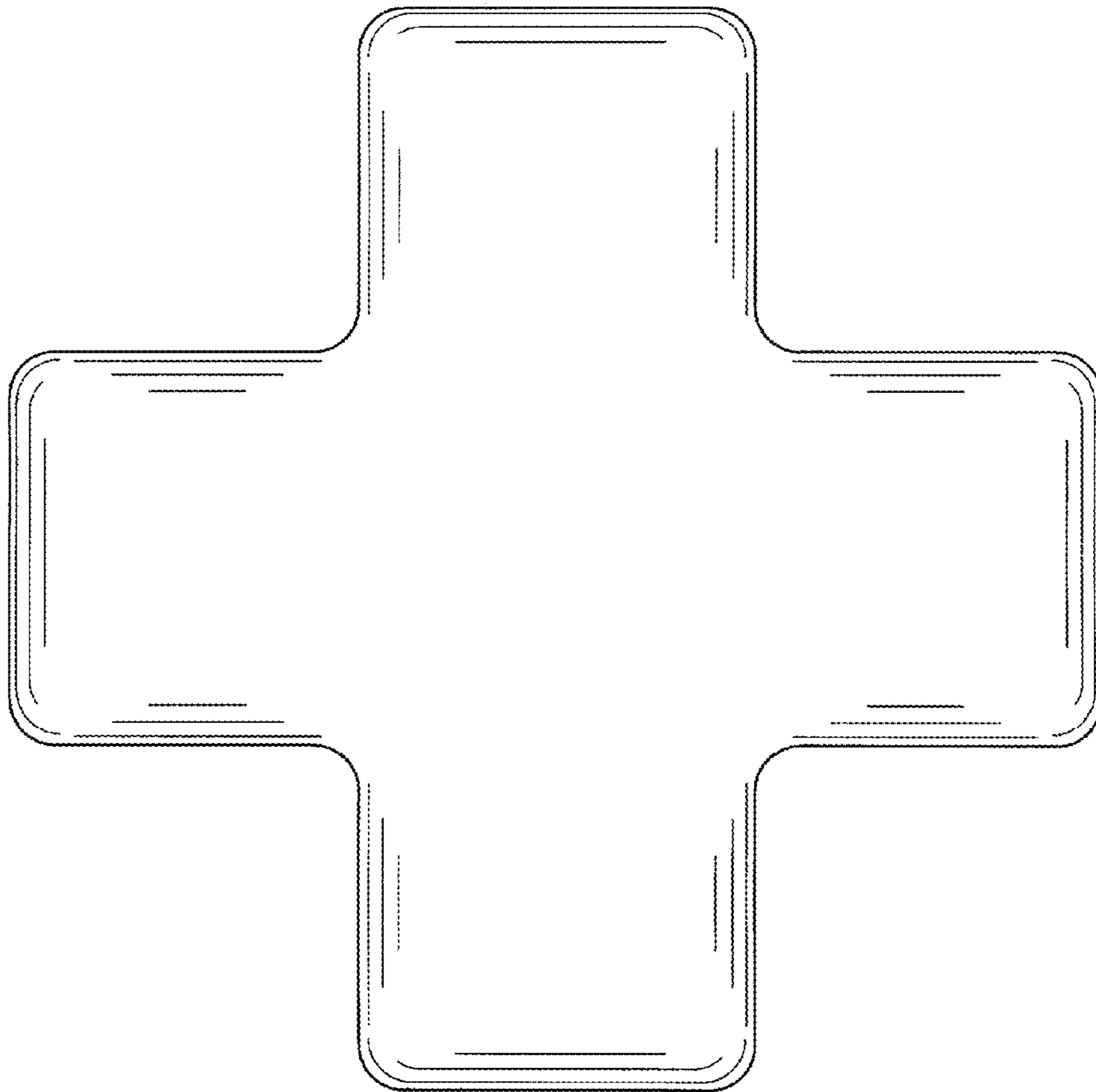


FIG. 5

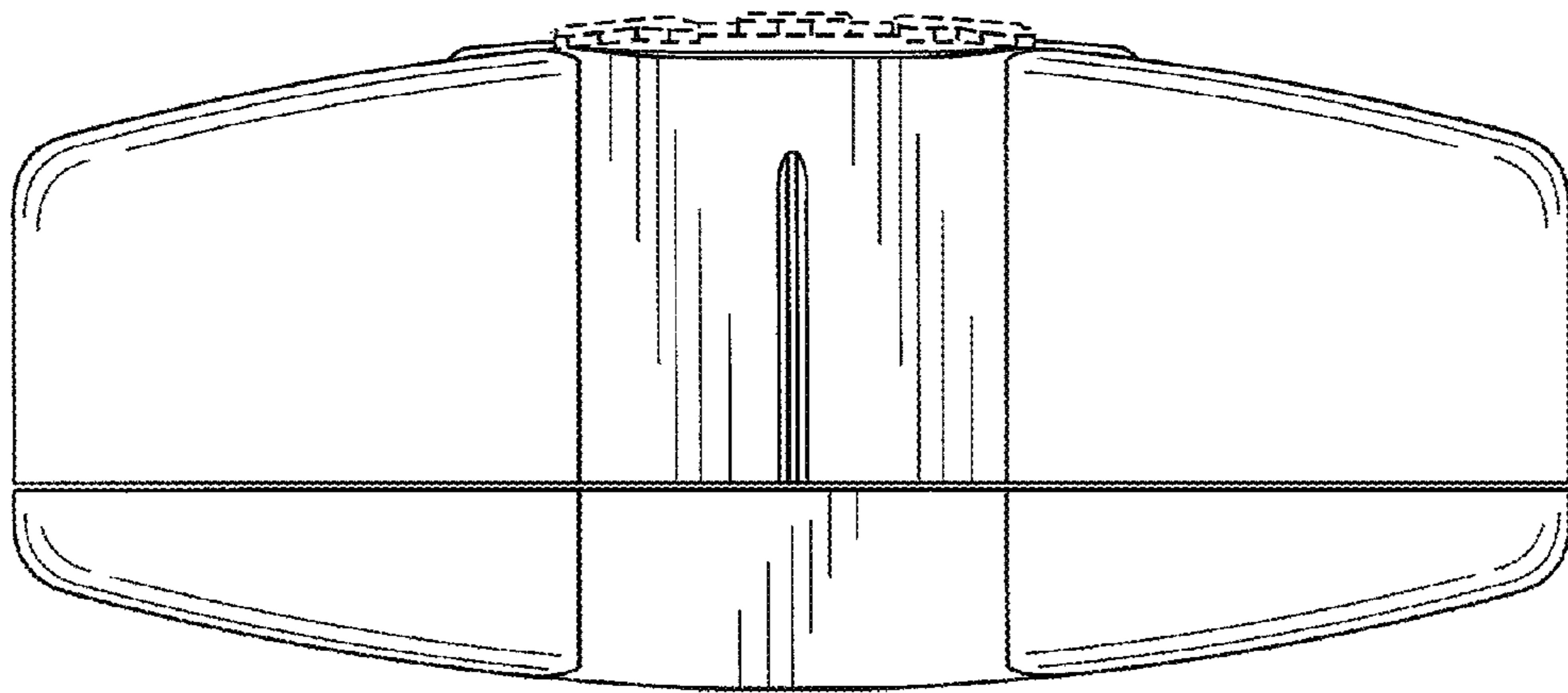


FIG. 6