



US00D755890S

(12) **United States Design Patent**
Pender

(10) **Patent No.:** **US D755,890 S**
(45) **Date of Patent:** **** May 10, 2016**

- (54) **PRINTER TAKE-UP DEVICE**
- (71) Applicant: **Michael L. Pender**, Ann Arbor, MI (US)
- (72) Inventor: **Michael L. Pender**, Ann Arbor, MI (US)
- (**) Term: **14 Years**
- (21) Appl. No.: **29/497,278**
- (22) Filed: **Jul. 22, 2014**

Related U.S. Application Data

- (63) Continuation-in-part of application No. 29/438,839, filed on Dec. 4, 2012, now abandoned, which is a continuation-in-part of application No. 13/022,605, filed on Feb. 7, 2011, now abandoned.
- (51) **LOC (10) Cl.** **18-02**
- (52) **U.S. Cl.**
USPC **D18/56**
- (58) **Field of Classification Search**
USPC D18/14, 49, 53, 56; 347/197, 218;
400/613; D6/513
CPC A47K 10/38; A47K 10/405; B41J 2/325;
B41J 3/4075; B41J 15/02; B41J 15/042;
B41J 25/316
See application file for complete search history.

(56) **References Cited**

U.S. PATENT DOCUMENTS

- 1,433,835 A * 10/1922 MacCormac A47K 10/40
242/410
- 2,234,818 A * 3/1941 Bulman B65H 35/0006
225/68
- 2,559,937 A * 7/1951 Bulman A47K 10/38
225/67
- 3,125,951 A * 3/1964 Lyman et al. B41L 19/00
D18/14

- 3,400,659 A * 9/1968 Baldwin B41B 1/08
D18/14
- D231,125 S * 4/1974 Hagstrom et al. D18/49
- D239,721 S * 4/1976 Davis, Jr. et al. D18/53
- 4,341,480 A * 7/1982 Mailer B41J 11/48
400/625
- D277,872 S * 3/1985 Runzl D18/49
- 4,553,710 A * 11/1985 Pool A47K 10/40
242/596.4
- D294,835 S * 3/1988 Nagahiro D18/49
- D322,453 S * 12/1991 Holmberg D18/56

(Continued)

Primary Examiner — Cathy Anne MacCormac

(74) *Attorney, Agent, or Firm* — Jelic Patent Services, LLC;
Stanley E. Jelic

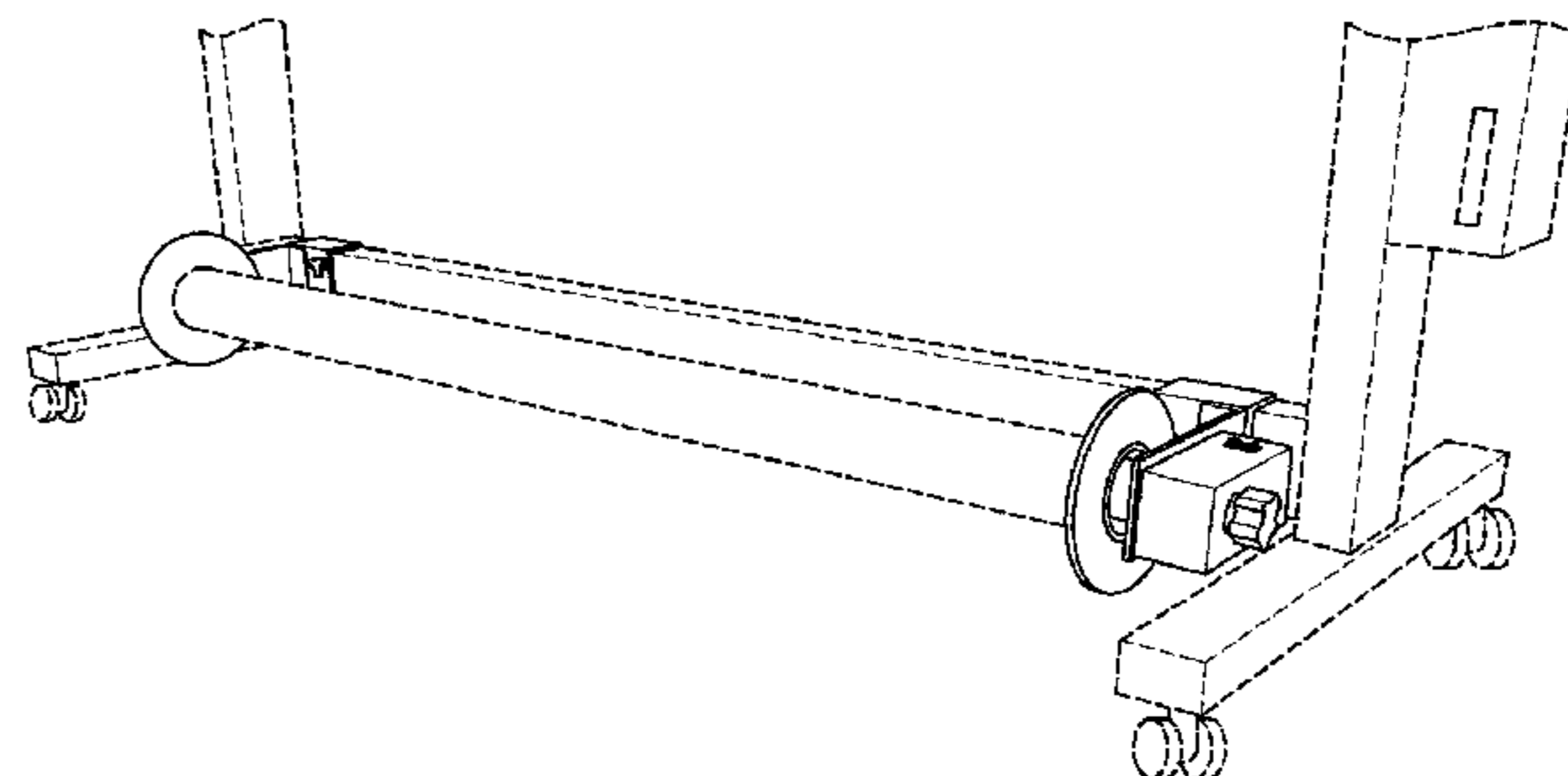
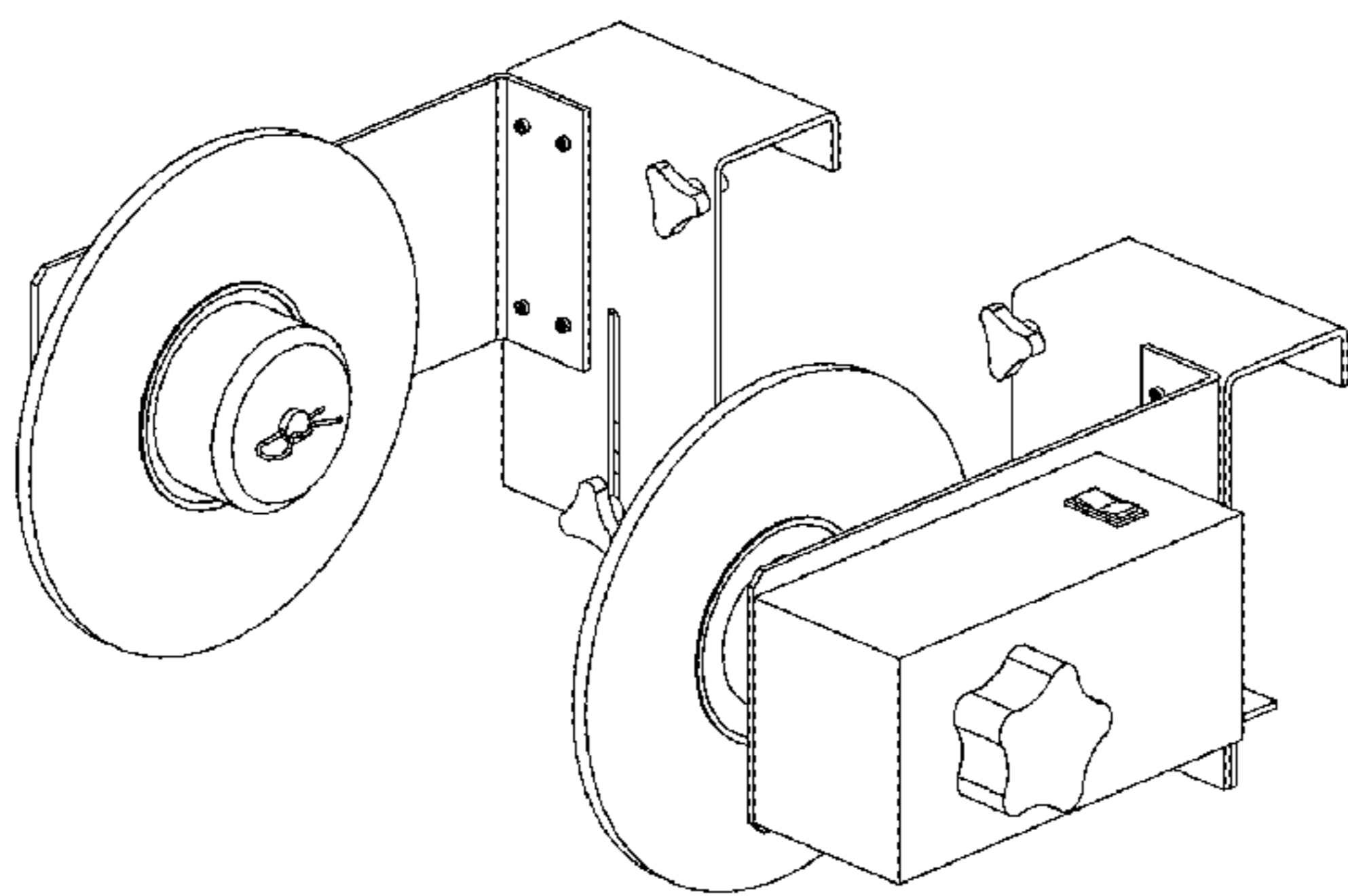
(57) **CLAIM**

I claim the ornamental design for a printer take-up device, as shown and described.

DESCRIPTION

FIG. 1 is a front, top, right-side perspective view of a printer take-up device showing my new design.
 FIG. 2 is back, top, right-side perspective view thereof.
 FIG. 3 is a back view thereof.
 FIG. 4 is a bottom view thereof.
 FIG. 5 is a front view thereof.
 FIG. 6 is a left-side view thereof.
 FIG. 7 is a right-side view thereof.
 FIG. 8 is a top view thereof.
 FIG. 9 is a perspective view showing the device mounted on a printer stand; and,
 FIG. 10 is another perspective view of FIG. 9 showing the device taking up the slack of printer media.
 The broken lines depict environmental subject matter, are for illustration only and form no part of the claimed design.

1 Claim, 5 Drawing Sheets



(56)

References Cited

U.S. PATENT DOCUMENTS

5,255,862 A *	10/1993	Chenest	B65H 16/103 242/571.8
6,183,153 B1 *	2/2001	Kamoda	B41J 15/042 400/613
7,104,712 B2 *	9/2006	Sugimoto	B41J 3/4075 101/35
7,322,761 B2 *	1/2008	Silverbrook	B41J 15/02 400/613
7,628,482 B2 *	12/2009	Izumi	B41J 15/044 347/218
7,703,998 B2 *	4/2010	Williams	B41J 29/02 400/613
D643,463 S *	8/2011	Sakurai	D18/53
8,308,102 B2 *	11/2012	Lin	B65H 75/12 400/613
8,421,833 B2 *	4/2013	Maruyama	B41J 15/02 400/613
8,459,777 B2 *	6/2013	Silverbrook	B41J 11/001 347/101
D689,924 S *	9/2013	Sakai	D18/14
D729,311 S *	5/2015	Campanini	D18/53
2002/0126298 A1 *	9/2002	Galan	B41J 11/0085 358/1.3

* cited by examiner

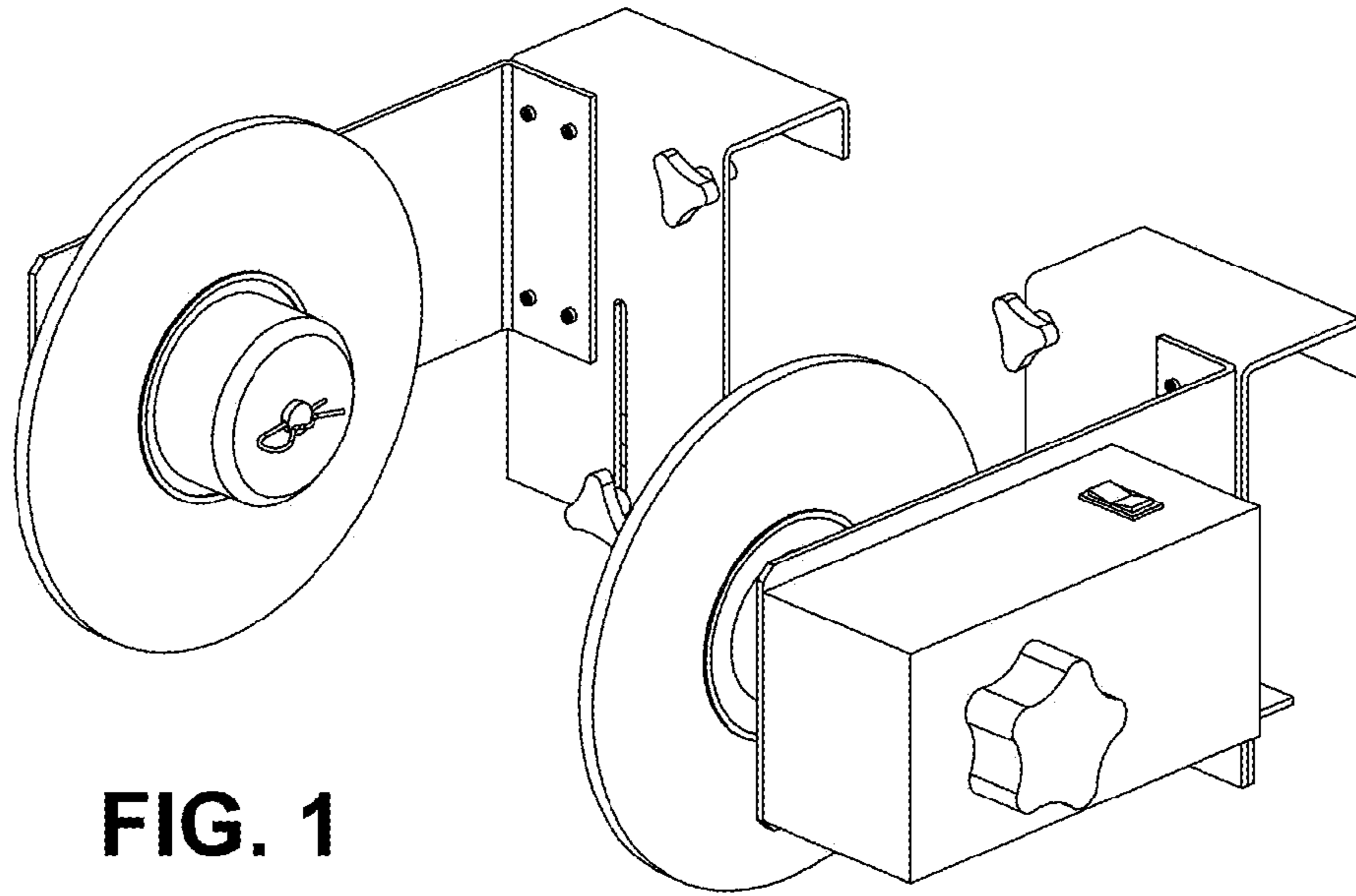


FIG. 1

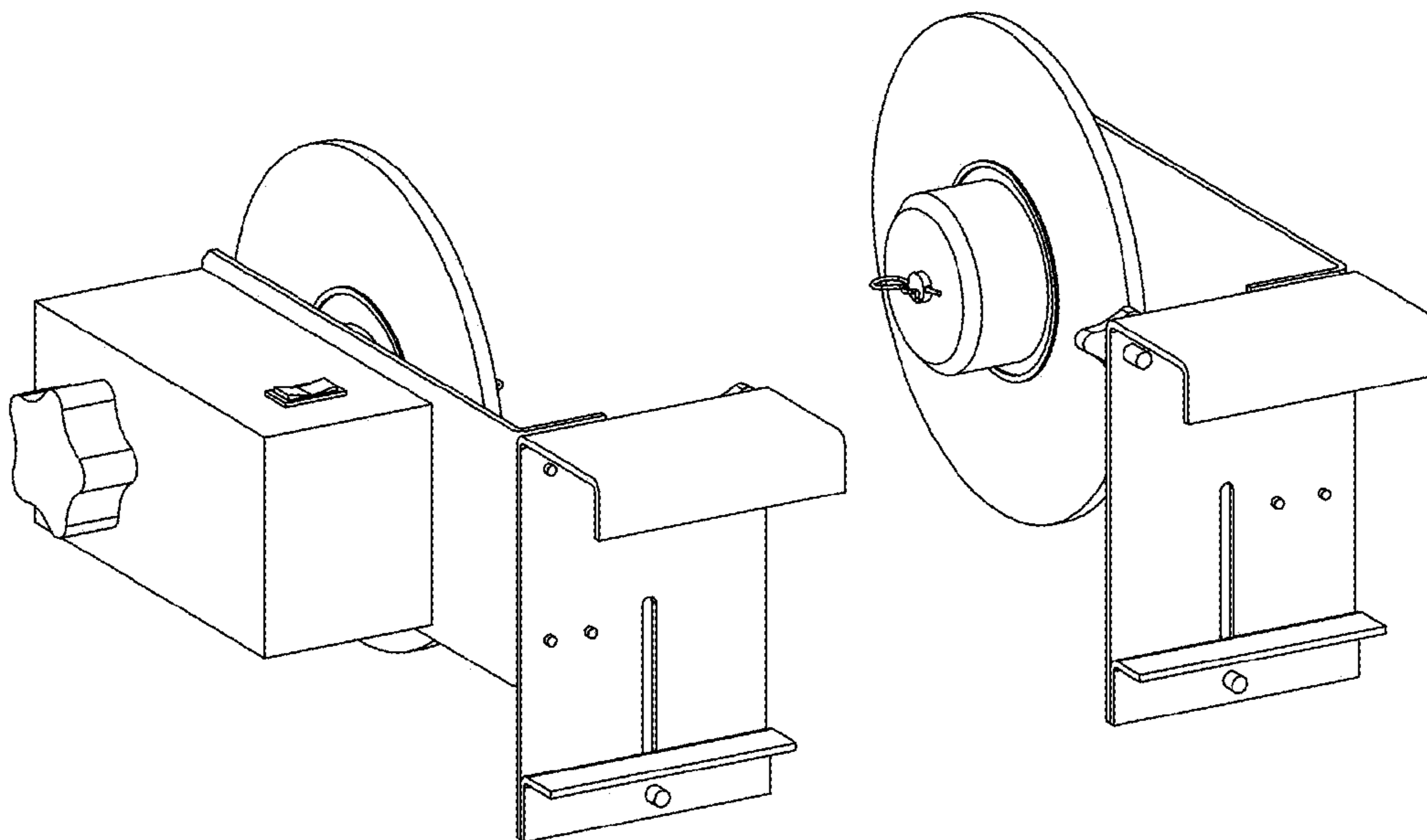


FIG. 2

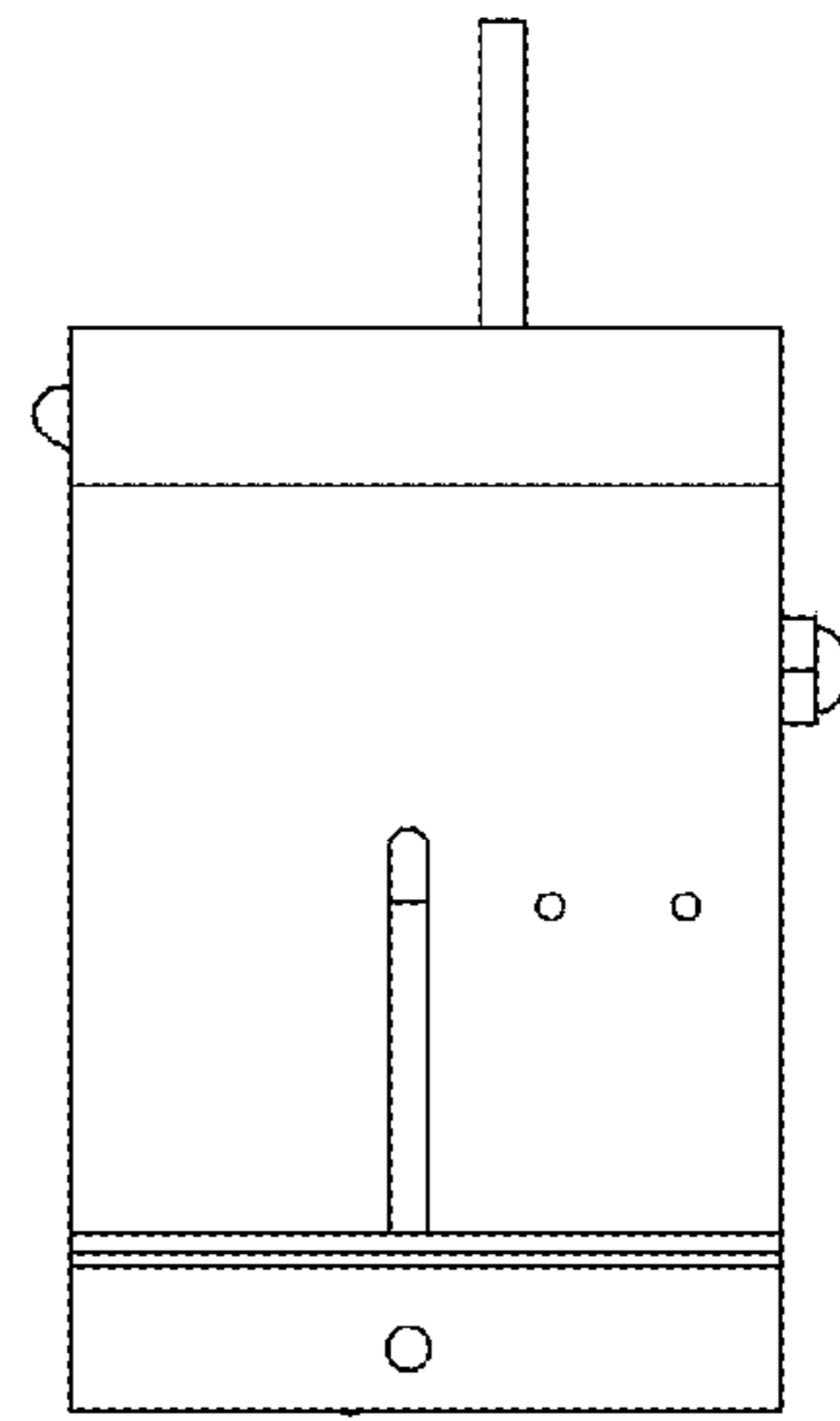
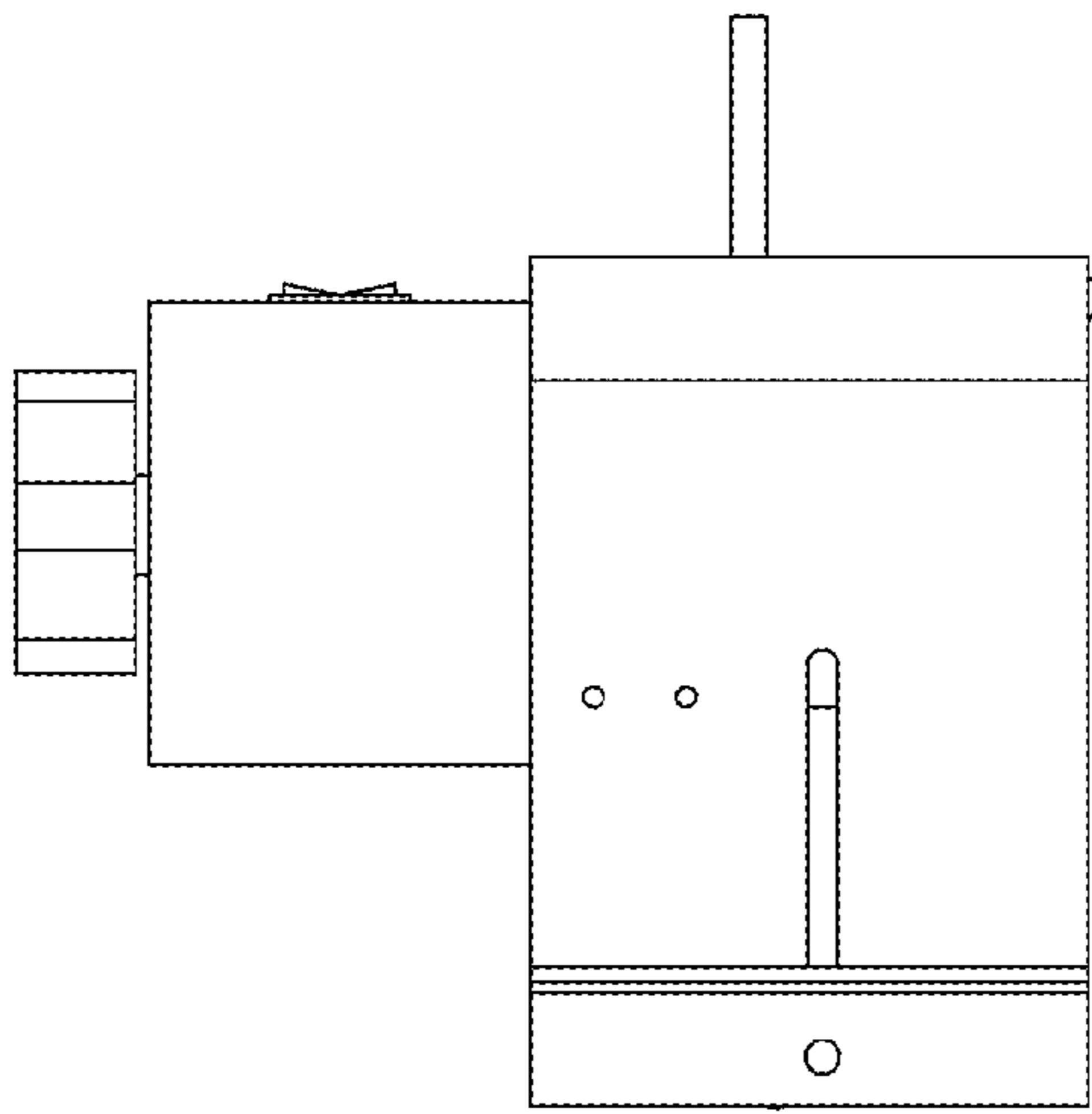


FIG. 3

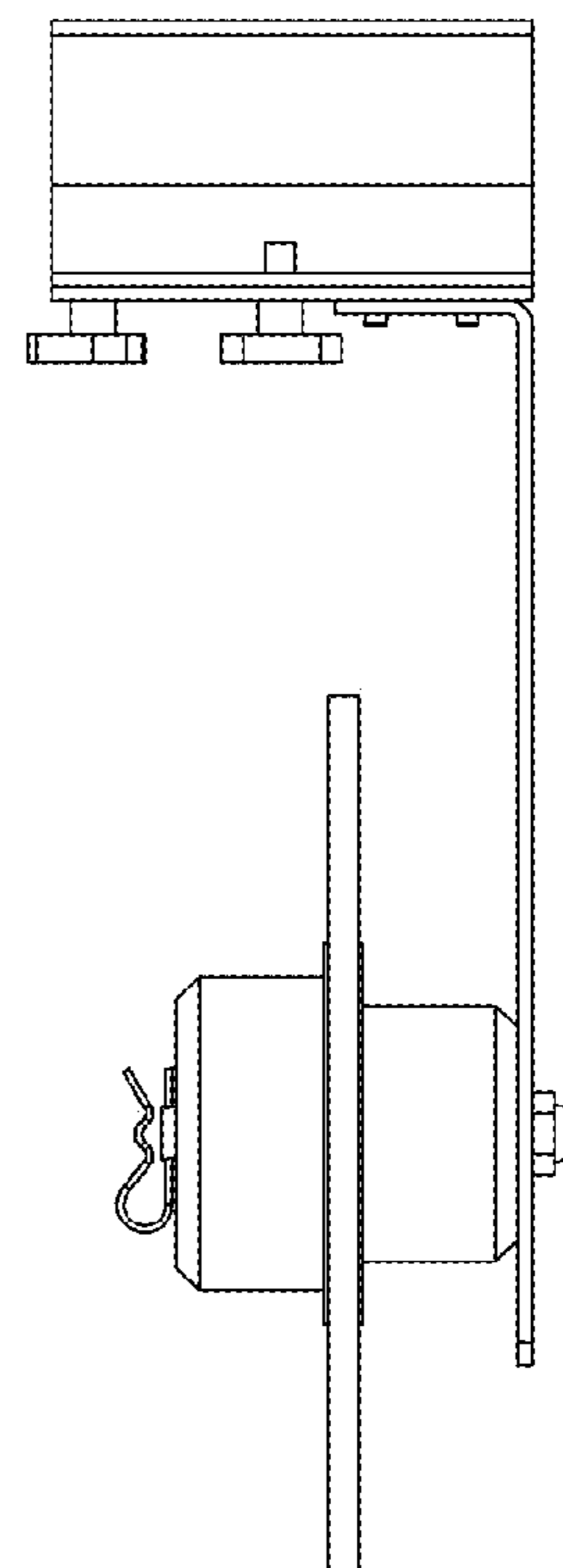
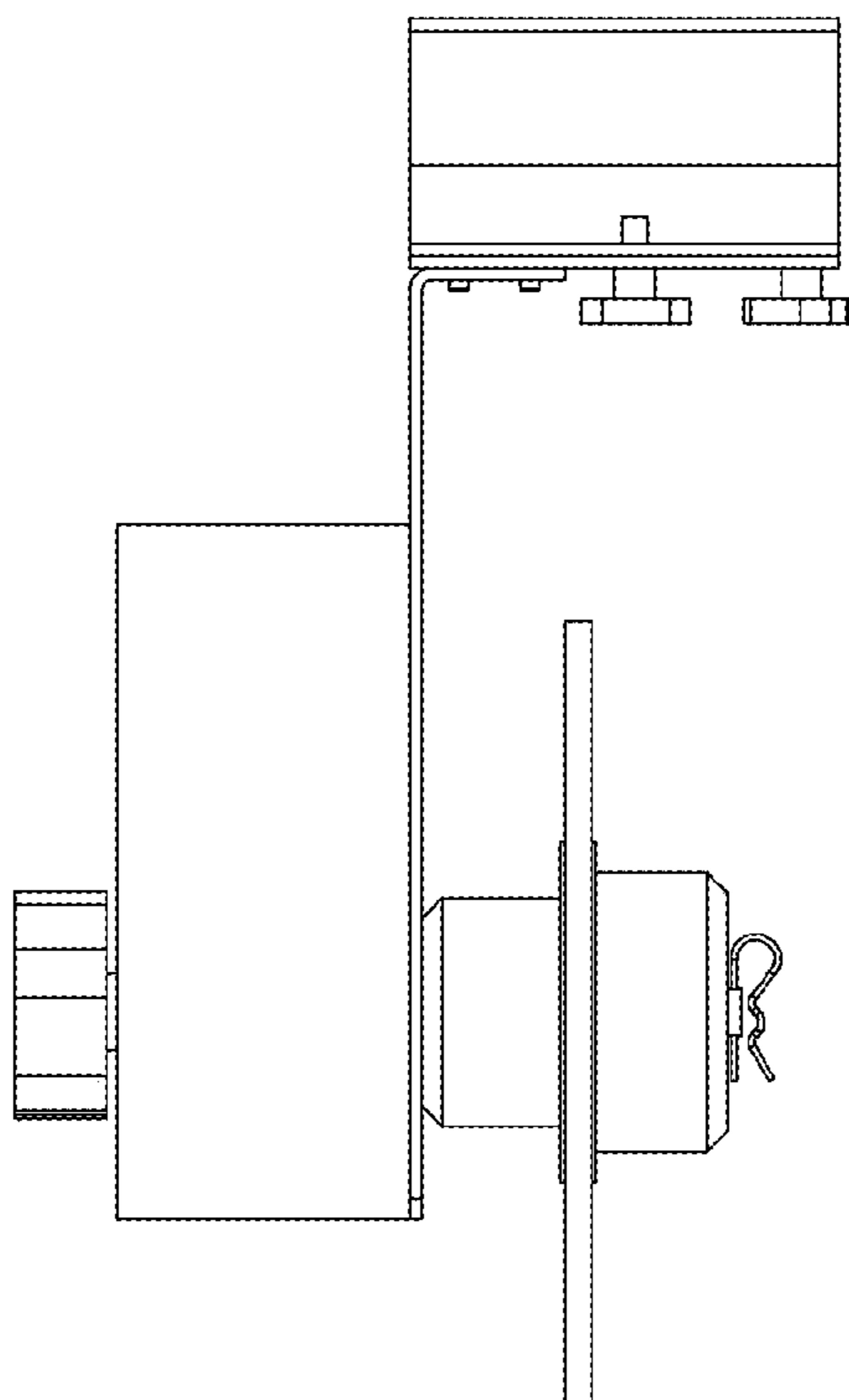


FIG. 4

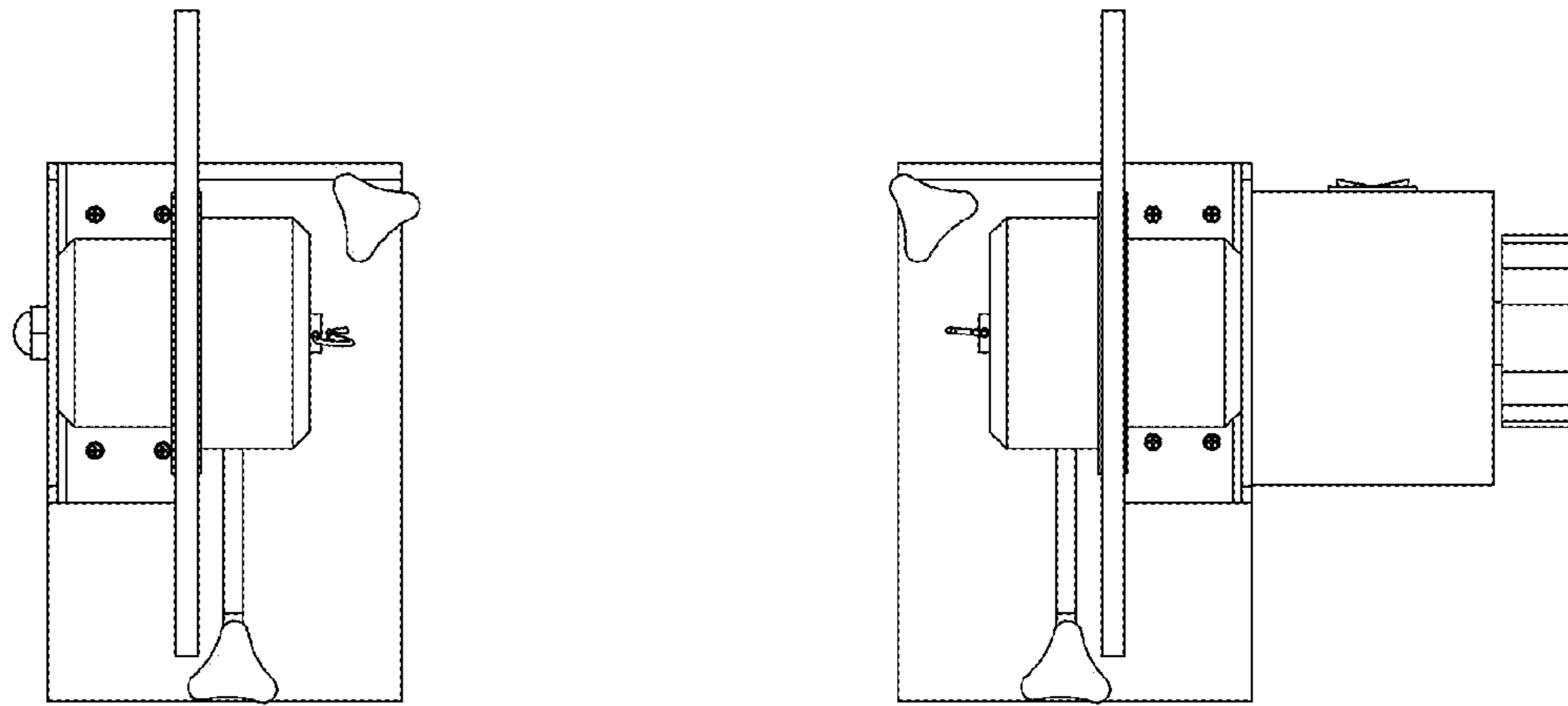


FIG. 5

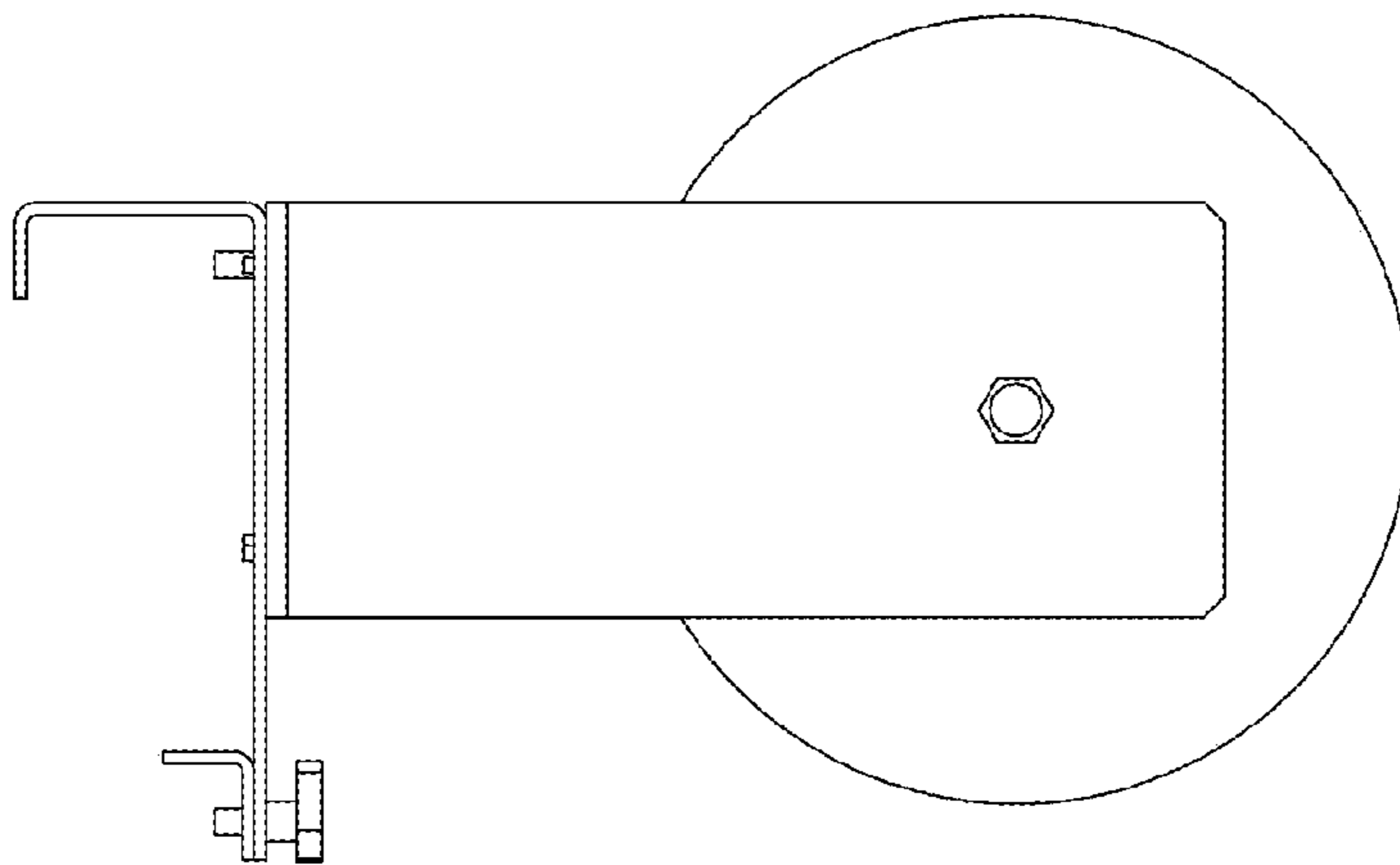


FIG. 6

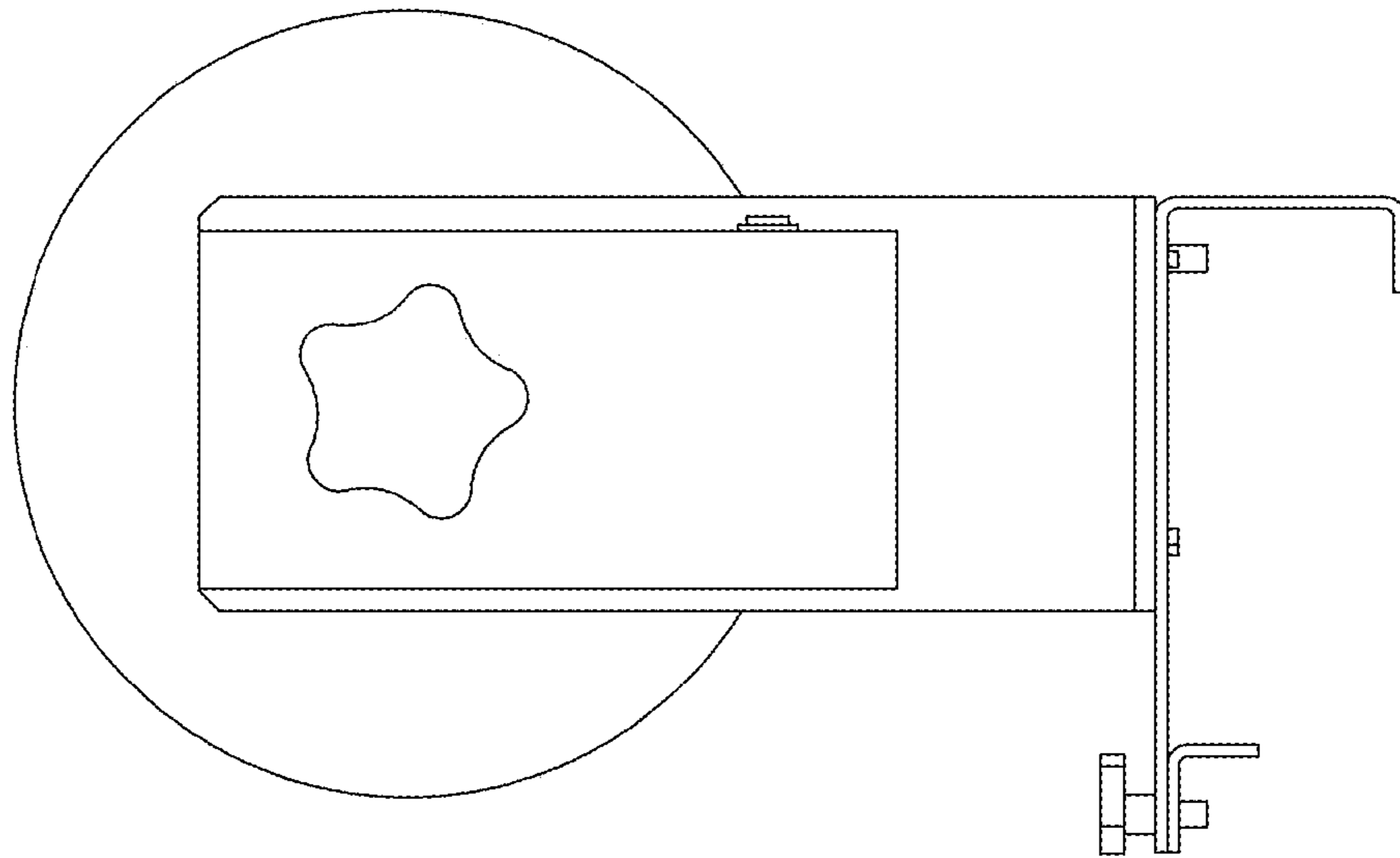


FIG. 7

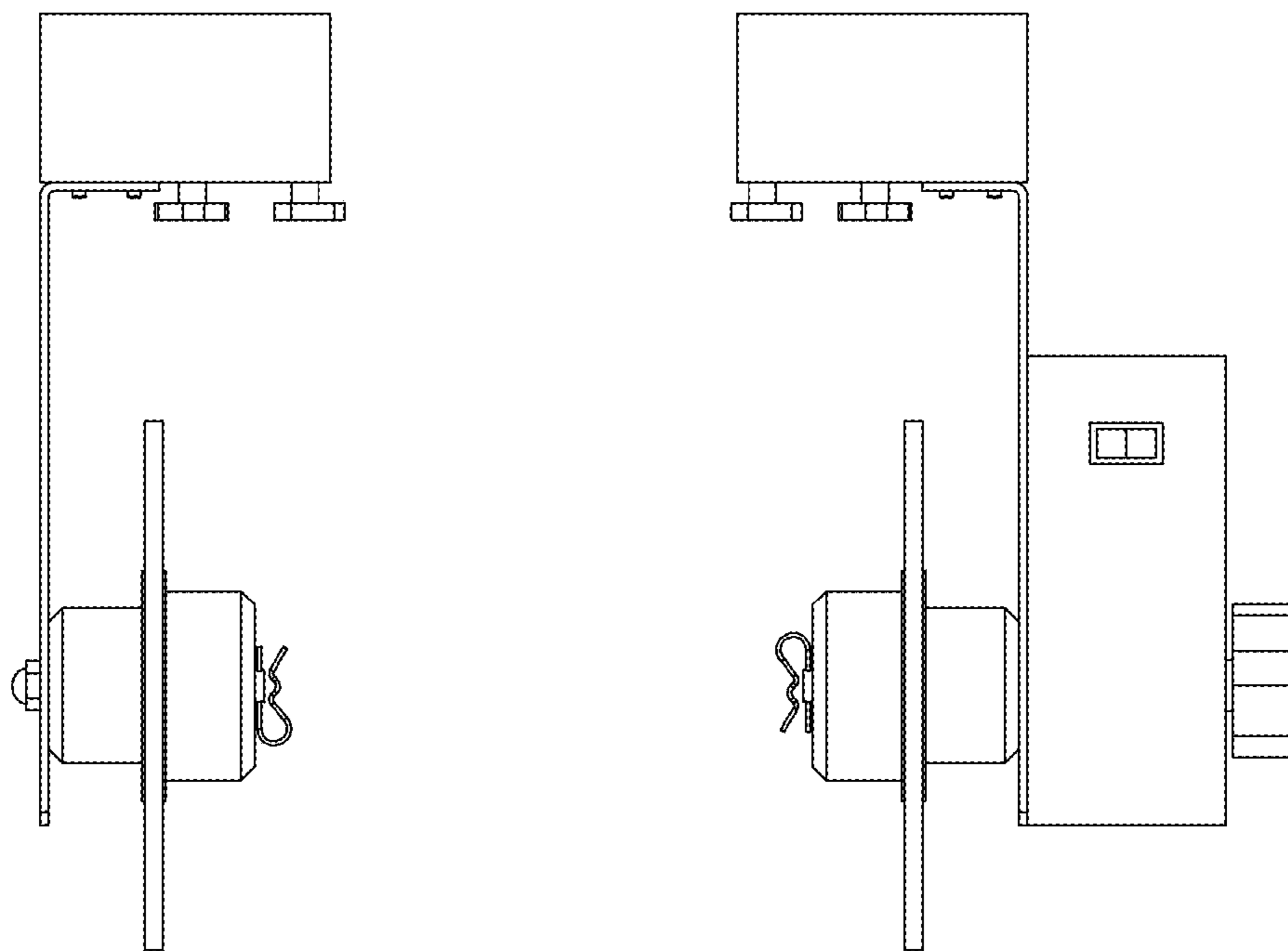


FIG. 8

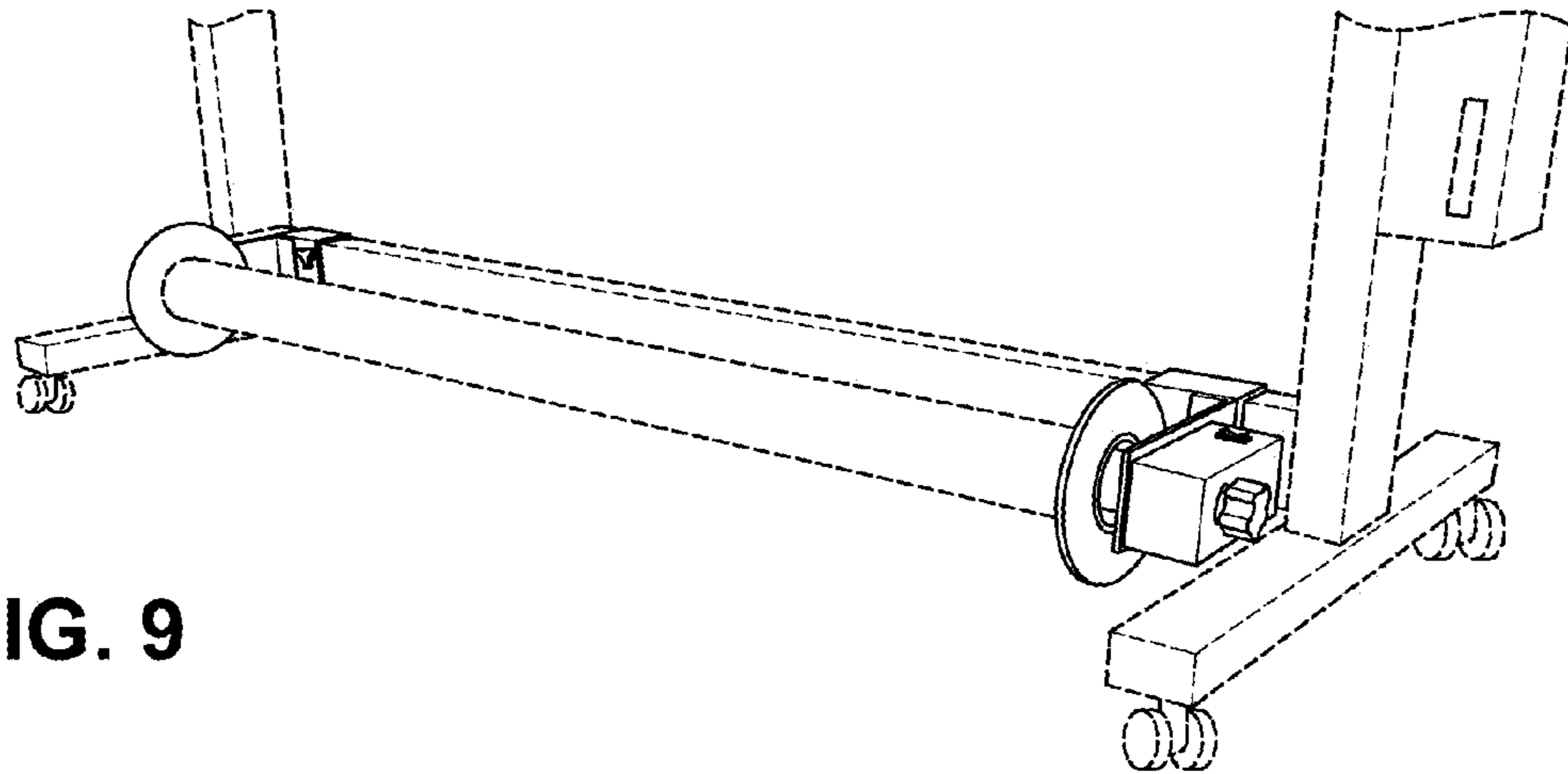


FIG. 9

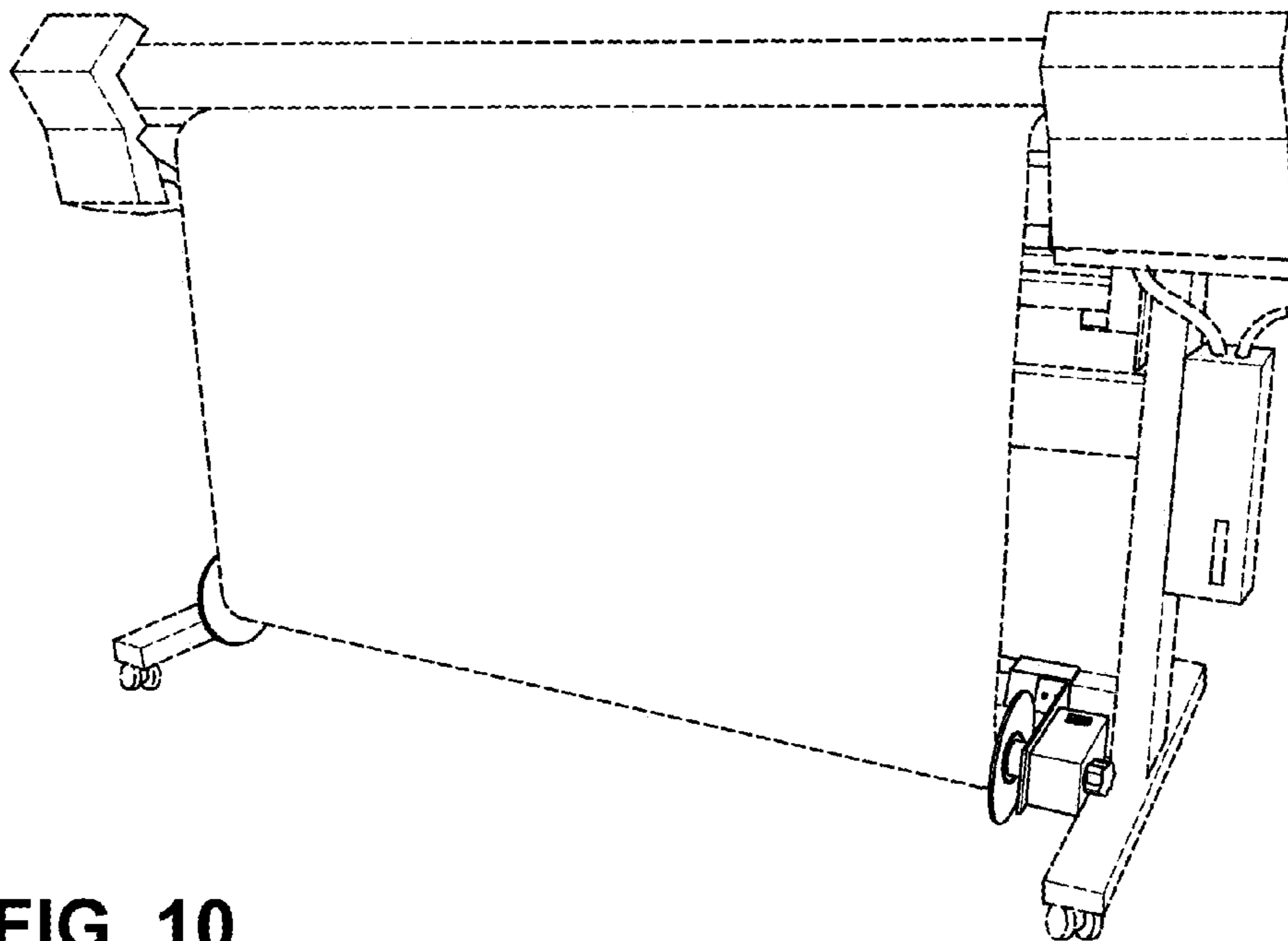


FIG. 10