



US00D755887S

(12) **United States Design Patent**  
**Suzuki**

(10) **Patent No.:** **US D755,887 S**

(45) **Date of Patent:** **\*\* May 10, 2016**

(54) **PAPER SENSOR**

(71) Applicant: **Hiroko Suzuki**, Ohta-ku (JP)

(72) Inventor: **Hiroko Suzuki**, Ohta-ku (JP)

(73) Assignee: **RICOH COMPANY, LTD.**, Tokyo (JP)

(\*\*) Term: **14 Years**

(21) Appl. No.: **29/516,982**

(22) Filed: **Feb. 9, 2015**

(30) **Foreign Application Priority Data**

Aug. 20, 2014 (JP) ..... 2014-018127

(51) **LOC (10) Cl.** ..... **16-03**

(52) **U.S. Cl.**  
USPC ..... **D18/41**

(58) **Field of Classification Search**

USPC ..... D10/70; D18/40, 41, 56, 99  
CPC ..... B65H 7/00; B65H 7/02; B65H 7/04;  
B65H 7/06; B65H 7/08; B65H 7/10; B65H  
7/12; B65H 7/125; B65H 7/14; B65H 7/16;  
B65H 7/18; B65H 7/20; B65H 2553/00;  
B65H 2553/20; B65H 2553/21; B65H  
2553/212; B65H 2553/22; B65H 2553/23

See application file for complete search history.

(56) **References Cited**

U.S. PATENT DOCUMENTS

8,876,417 B2 \* 11/2014 Kadis ..... B65H 7/06  
271/196

\* cited by examiner

*Primary Examiner* — Antoine D Davis

(74) *Attorney, Agent, or Firm* — Oblon, McClelland, Maier  
& Neustadt, L.L.P.

(57) **CLAIM**

The ornamental design for a paper sensor, as shown and described.

**DESCRIPTION**

FIG. 1 is a front, top, and left side perspective view of a paper sensor;

FIG. 2 is a front elevational view thereof;

FIG. 3 is a rear elevational view thereof;

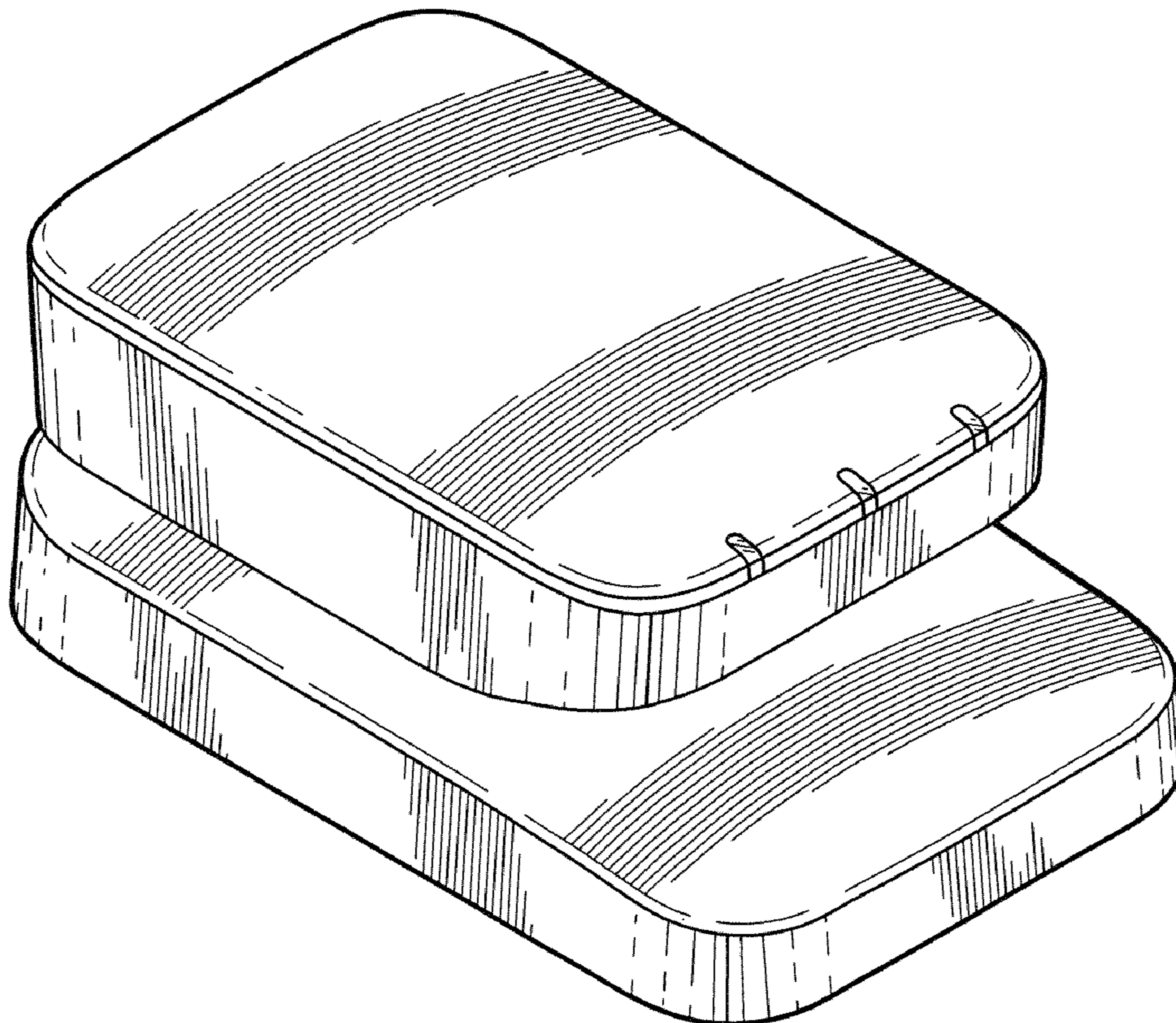
FIG. 4 is a left side elevational view thereof, the right side elevational view being a mirror image of the left side elevational view shown;

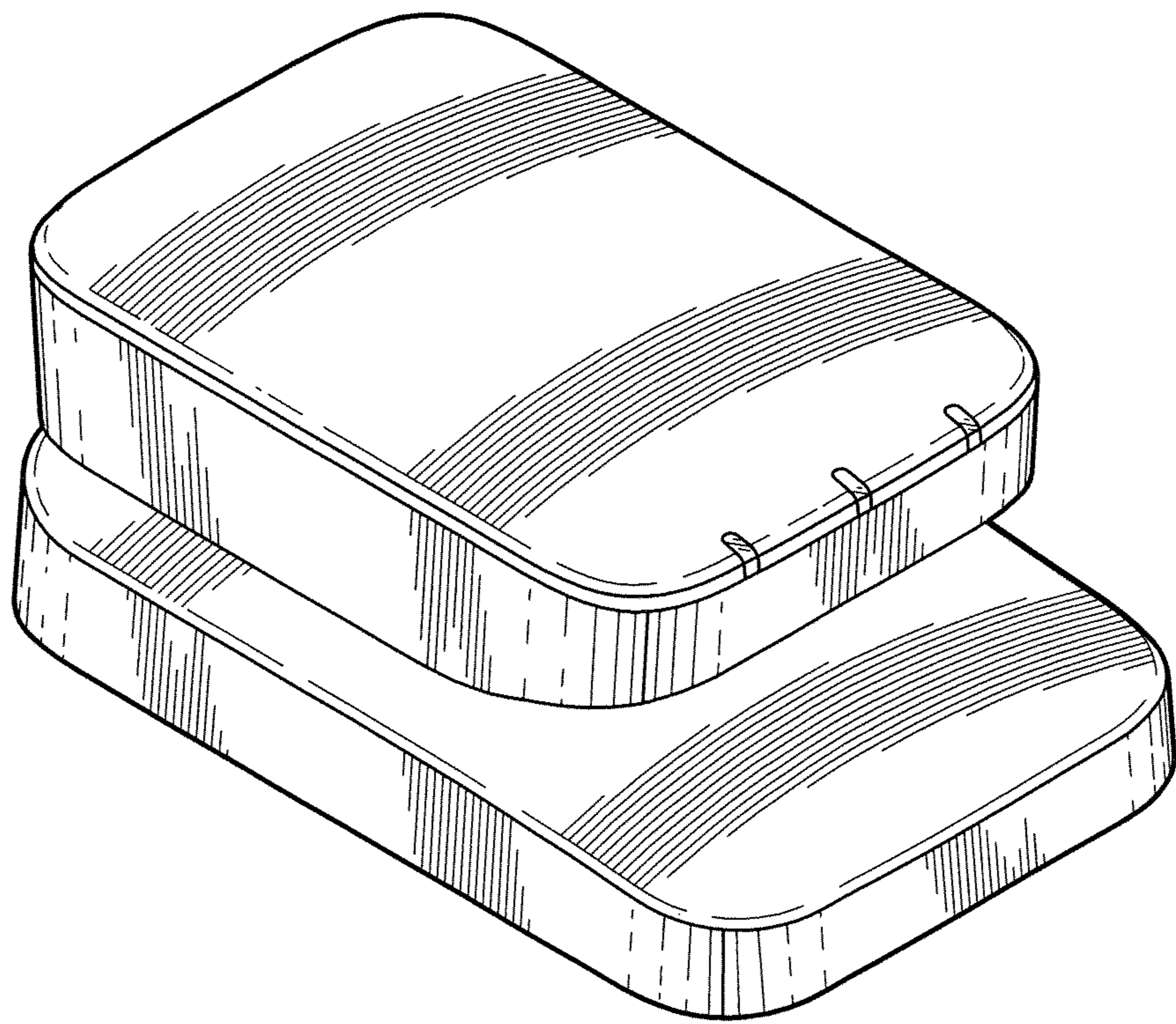
FIG. 5 is a top plan view thereof; and,

FIG. 6 is a bottom plan view thereof.

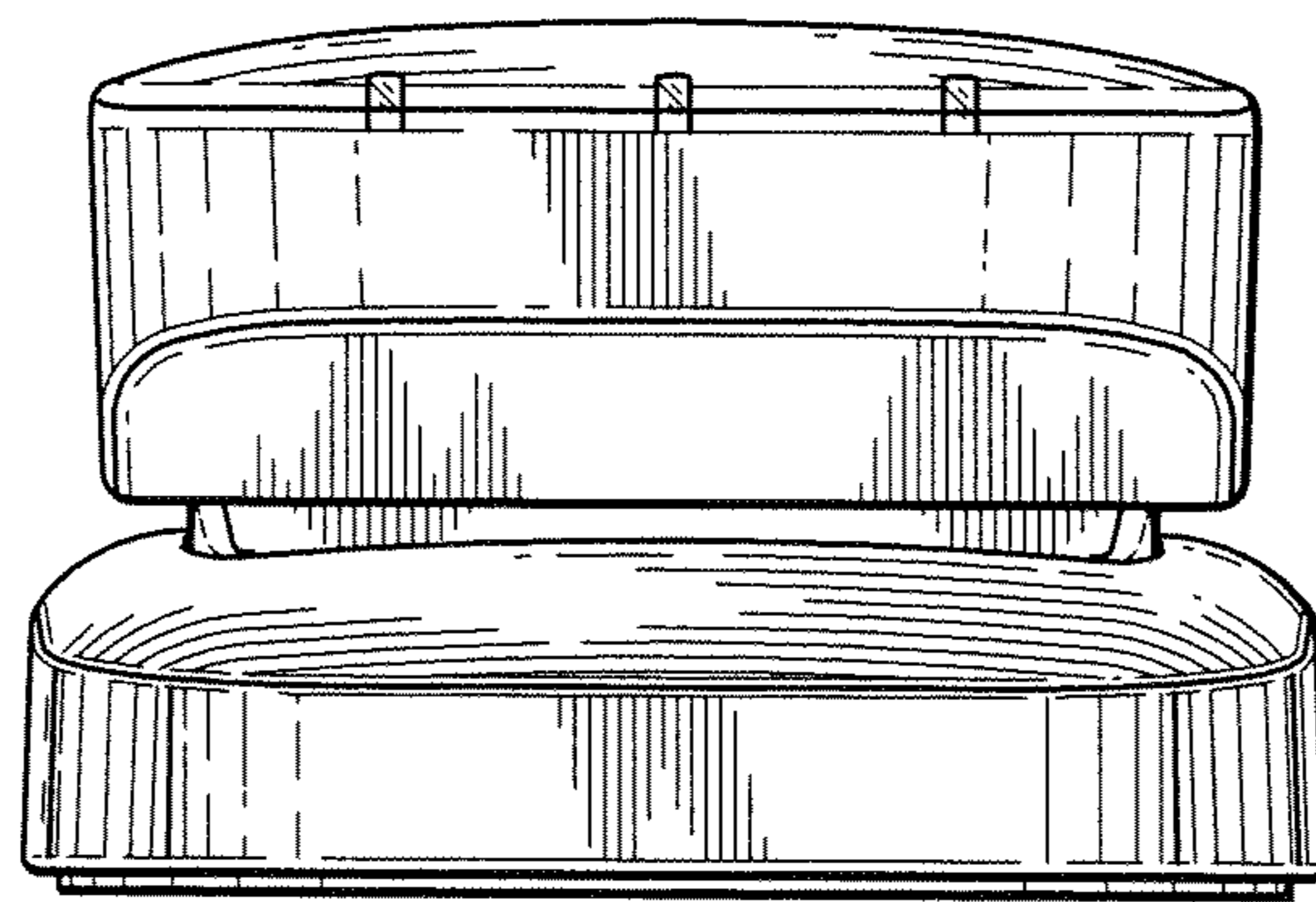
The broken lines in the drawings depict environmental subject matter only and form no part of the claimed design.

**1 Claim, 6 Drawing Sheets**

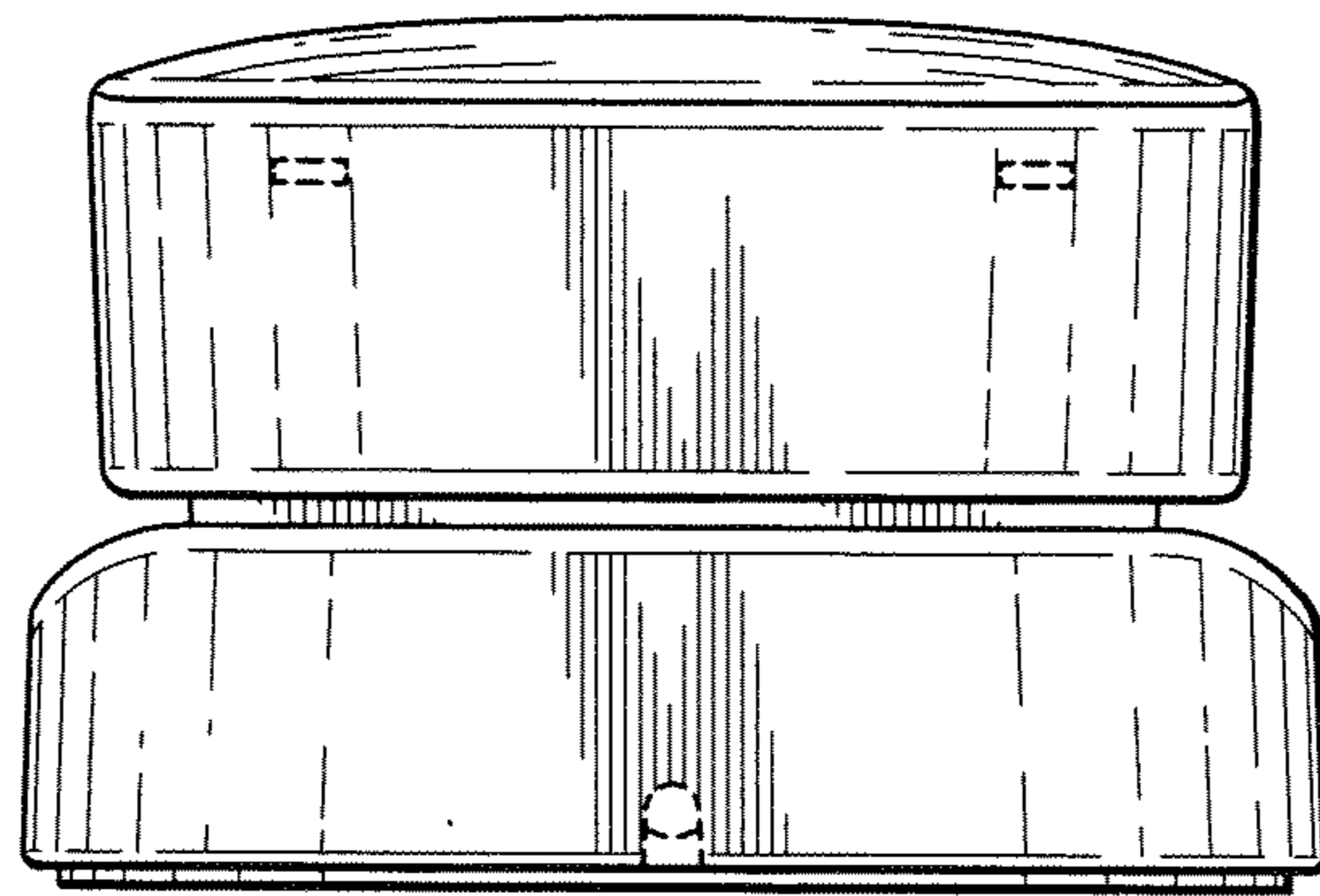




**FIG. 1**

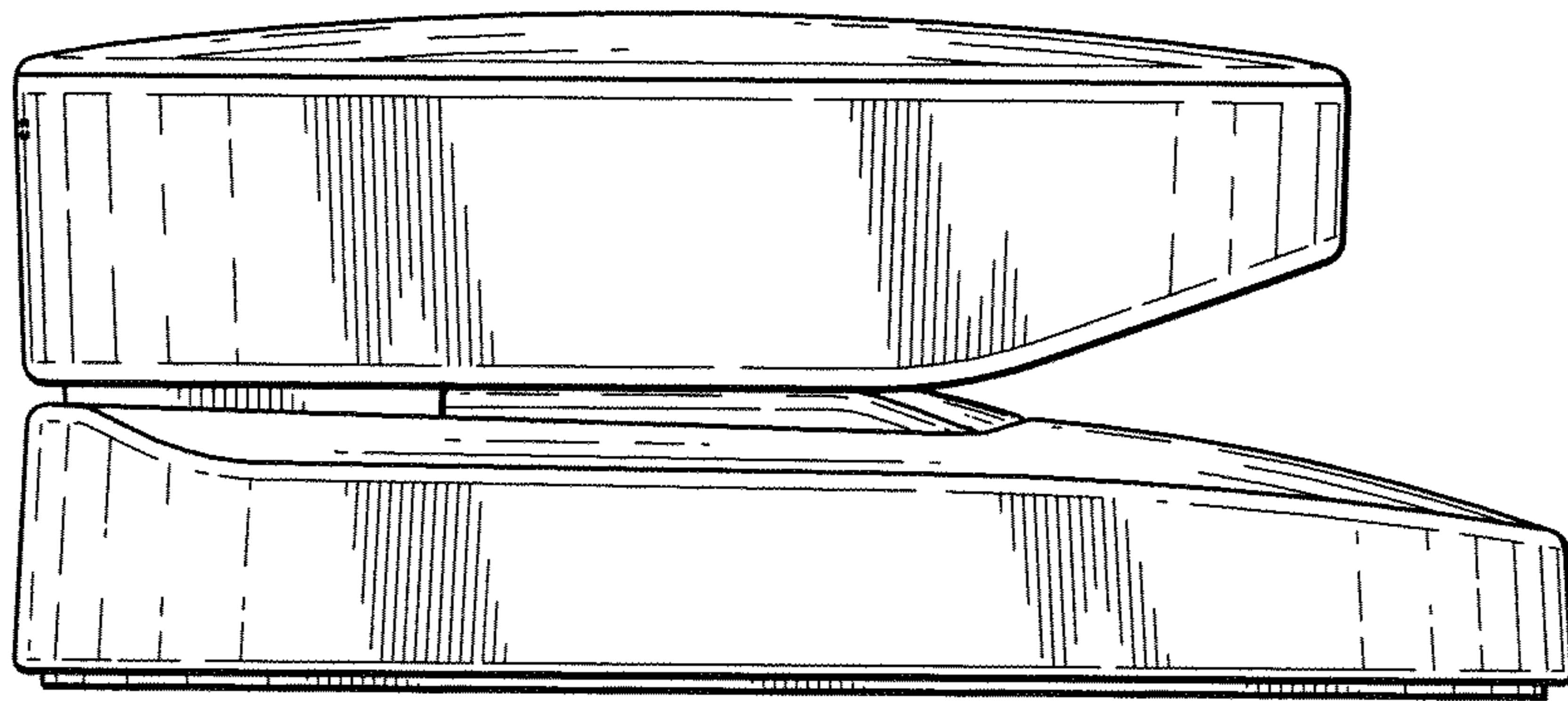


**FIG. 2**



**FIG. 3**





**FIG. 4**

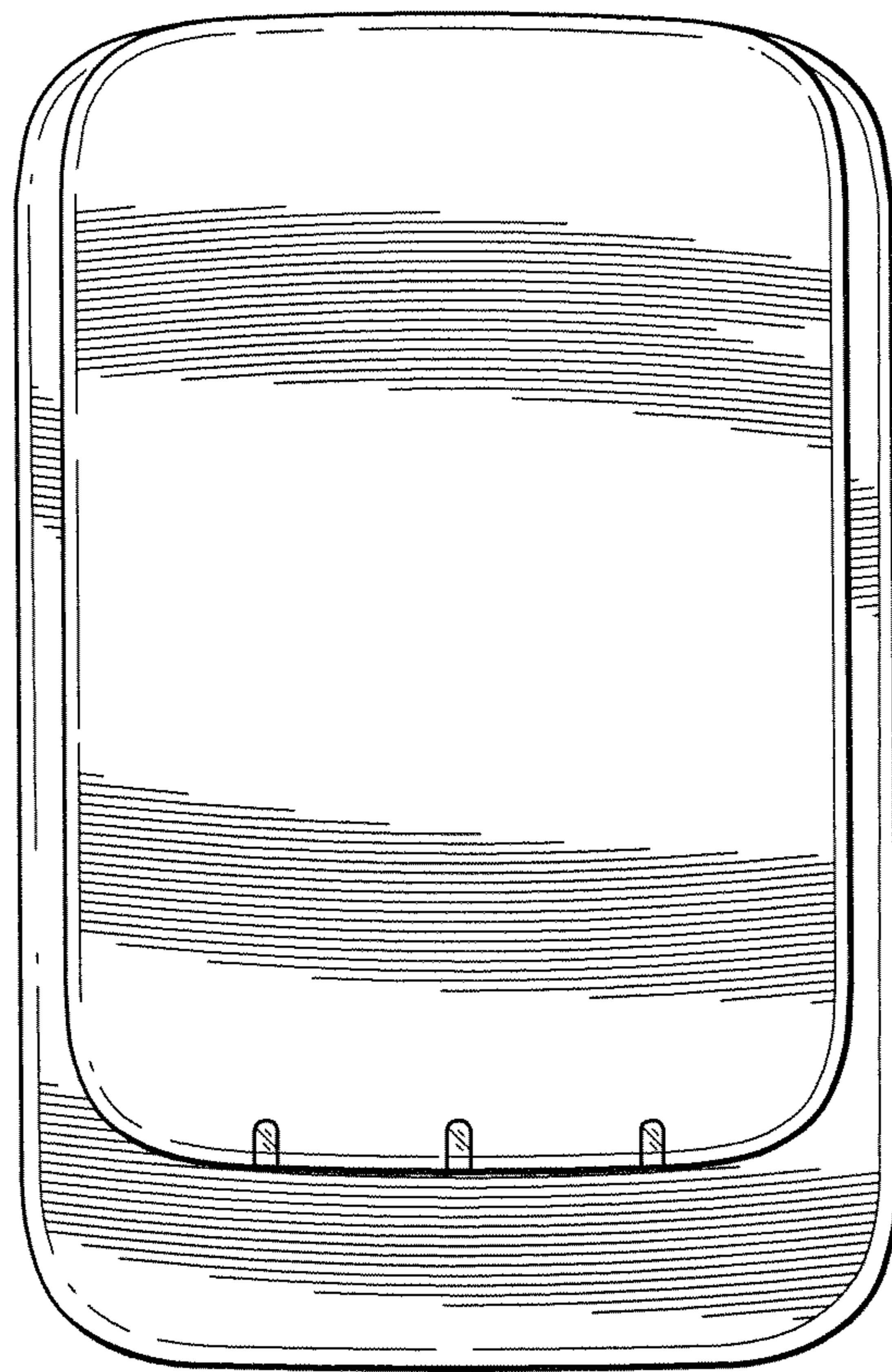


FIG. 5

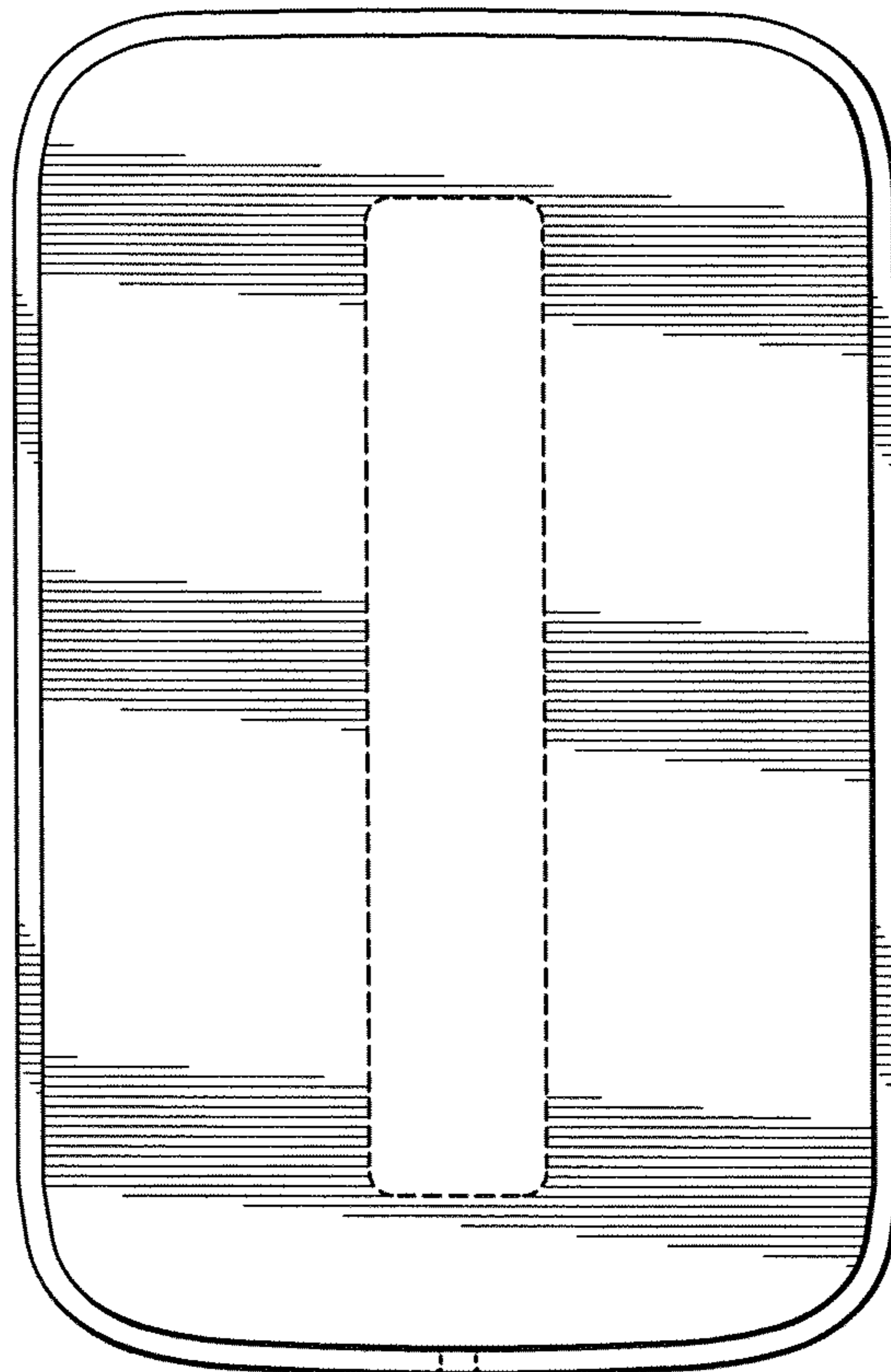


FIG. 6