

US00D755880S

(12) **United States Design Patent**  
**Luo et al.**

(10) **Patent No.:** **US D755,880 S**  
(45) **Date of Patent:** **\*\* May 10, 2016**

(54) **MULTI-PURPOSE VIDEO CAMERA STAND**

(71) Applicant: **HangZhou Hikvision Digital Technology Co., Ltd**, Hangzhou (CN)

(72) Inventors: **Chenfu Luo**, Hangzhou (CN); **Haiqing Jiang**, Hangzhou (CN)

(73) Assignee: **HANGZHOU HIKVISION DIGITAL TECHNOLOGY CO., LTD**, Hangzhou (CN)

(\*\*) Term: **15 Years**

(21) Appl. No.: **29/528,450**

(22) Filed: **May 28, 2015**

(30) **Foreign Application Priority Data**

Nov. 28, 2014 (CN) ..... 2014 3 0482934

(51) **LOC (10) Cl.** ..... **16-05**

(52) **U.S. Cl.**  
USPC ..... **D16/242**; D16/214

(58) **Field of Classification Search**  
USPC ..... D16/200, 202–205, 208, 214, 218, 219, D16/235, 237, 242–245; D14/432, 434; 248/176.1, 187.1; 348/143, 148, 151, 348/373–376; 396/419, 427, 535, 539–541  
CPC ..... G03B 17/02; G03B 19/04; G03B 17/56; G03B 17/04; G03B 15/03; H04N 5/2251; H04N 5/2252; H04N 5/2253; H04N 5/2254; H04N 7/181; H04N 7/183; H04N 7/18; G08B 13/1963; G08B 13/19619; G08B 13/19632

See application file for complete search history.

(56) **References Cited**

U.S. PATENT DOCUMENTS

D78,023 S *	3/1929	Howell	.....	D16/242
D312,829 S *	12/1990	Kuroki	.....	D16/214
D469,775 S *	2/2003	Bradley	.....	D14/434
D537,856 S *	3/2007	Tsao	.....	248/160
D552,659 S *	10/2007	Stephens	.....	D16/237
D558,250 S *	12/2007	Hsia	.....	D16/203
D564,004 S *	3/2008	Ikeda	.....	D16/202
D638,461 S *	5/2011	Kim	.....	D16/235
8,072,536 B1 *	12/2011	Campbell	.....	F16M 11/10 348/143
D697,119 S *	1/2014	Park	.....	D16/202
D706,855 S *	6/2014	Matsumoto	.....	D16/244
D733,781 S *	7/2015	Chen	.....	D16/202
D746,350 S *	12/2015	Li	.....	D16/203

\* cited by examiner

*Primary Examiner* — Philip S Hyder

*Assistant Examiner* — Ramzi Almatrahi

(74) *Attorney, Agent, or Firm* — Pearl Cohen Zedek Latzer Baratz LLP

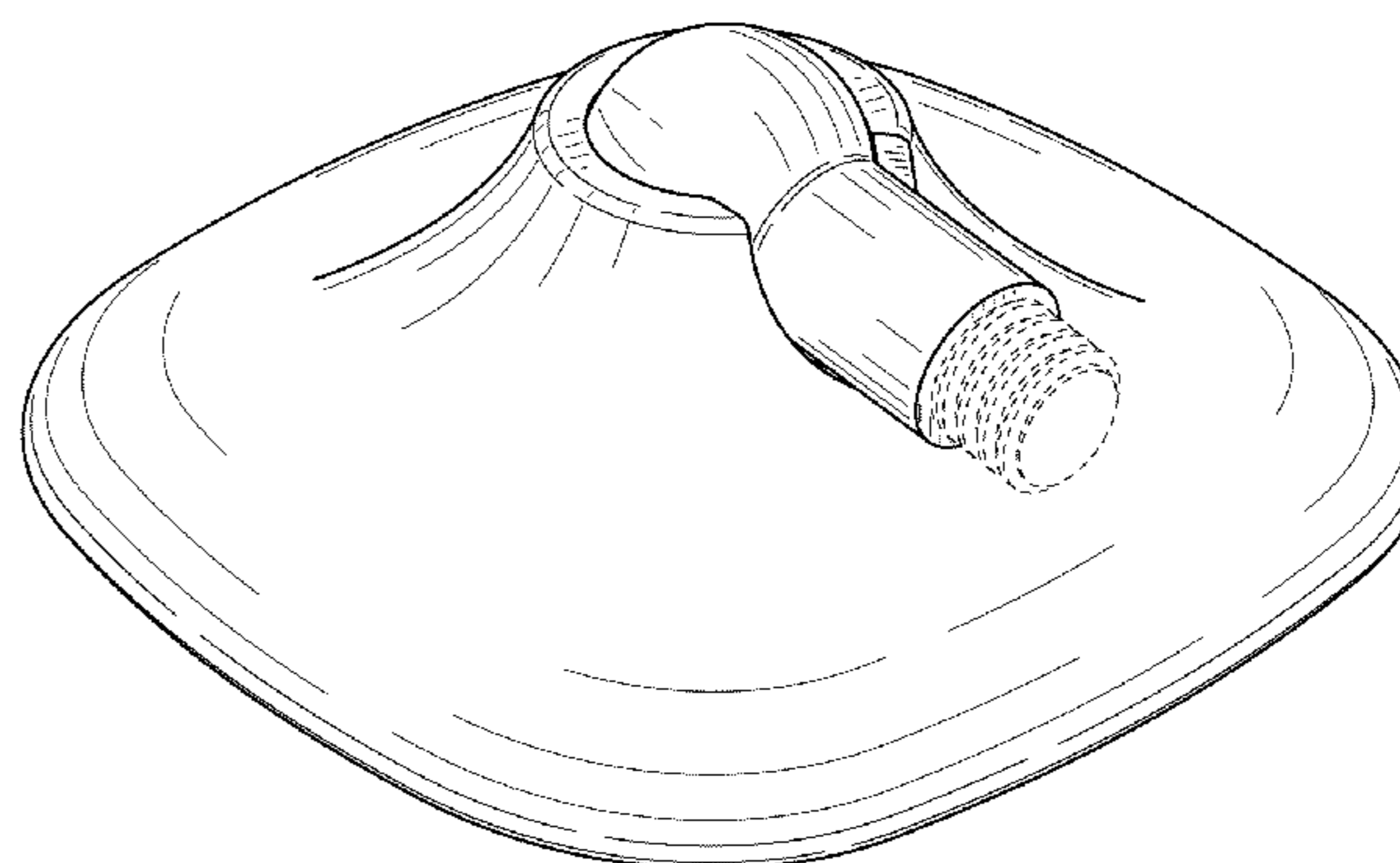
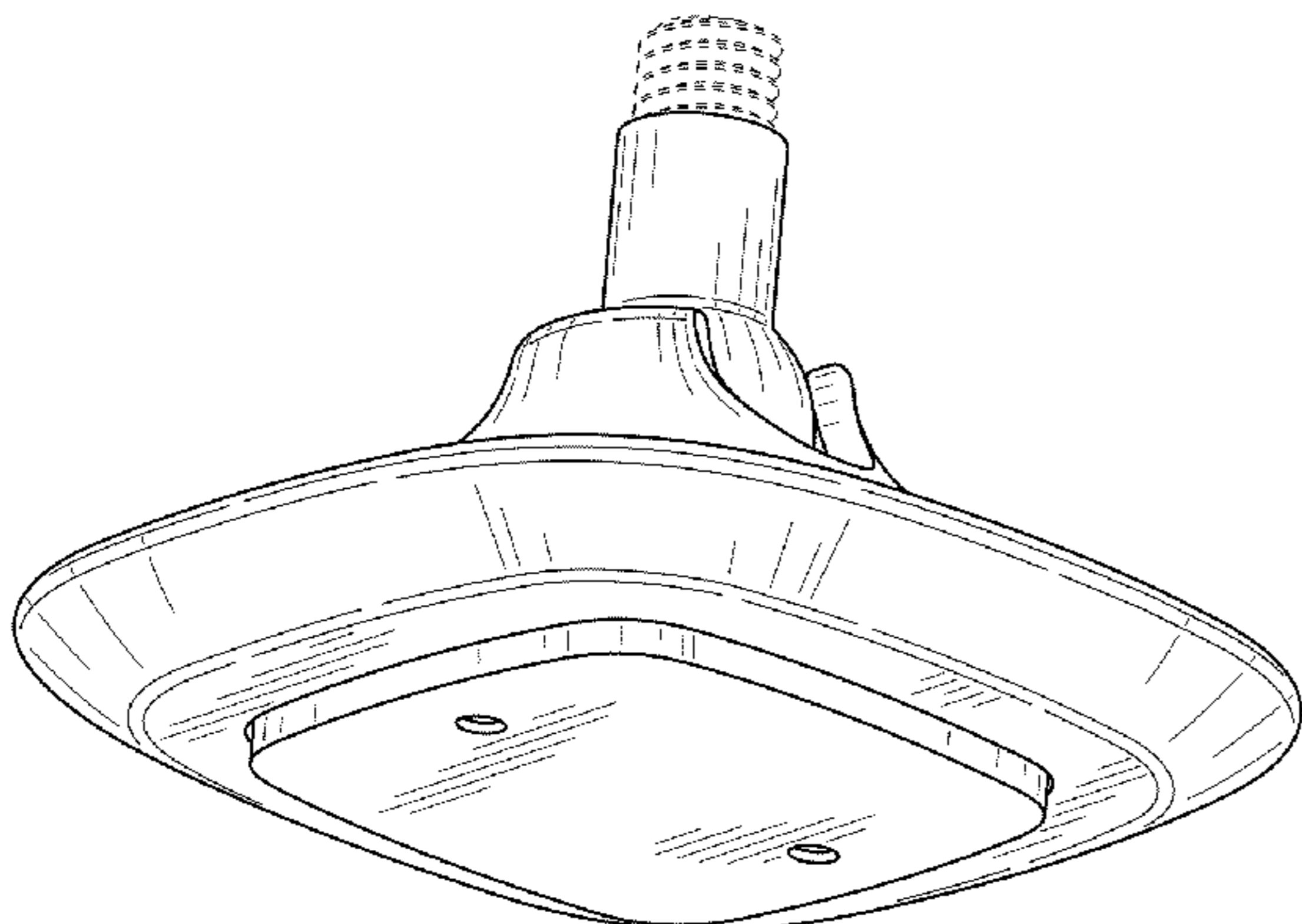
(57) **CLAIM**

The ornamental design for a multi-purpose video camera stand, as shown and described.

**DESCRIPTION**

FIG. 1 is a top, front, left side perspective view of a multi-purpose video camera stand showing our new design; FIG. 2 is a bottom, back, right side perspective view thereof; FIG. 3 is a front elevational view thereof; FIG. 4 is a back elevational view thereof; FIG. 5 is a right side elevational view thereof; FIG. 6 is a left side elevational view thereof; FIG. 7 is a top plan view thereof; FIG. 8 is a bottom plan view thereof; and, FIG. 9 is top, back, right side perspective view of the multi-purpose video camera stand in a folded configuration. The broken lines shown in the drawings represent portions of the multi-purpose video camera stand which form no part of the claimed design.

**1 Claim, 5 Drawing Sheets**



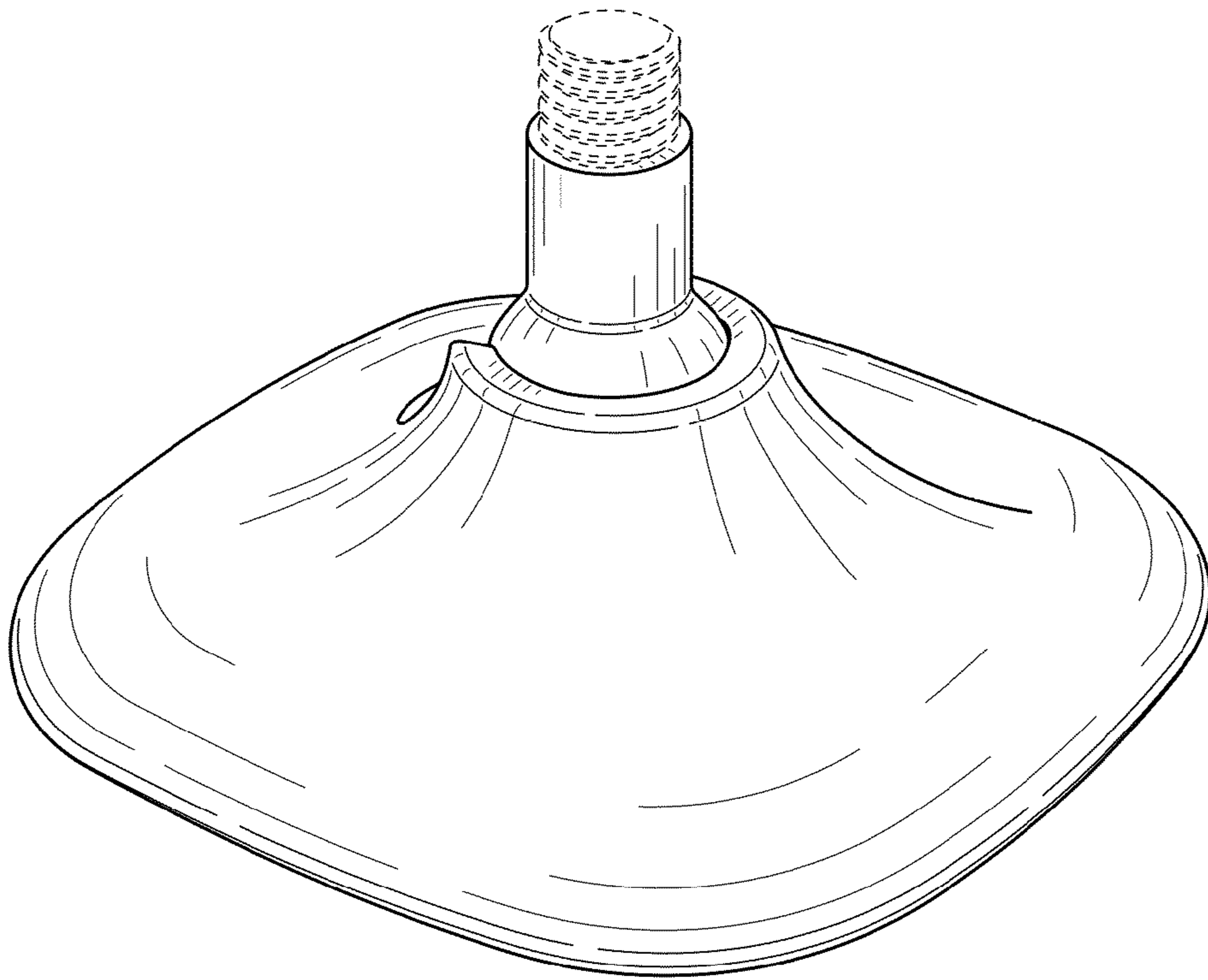


FIG. 1

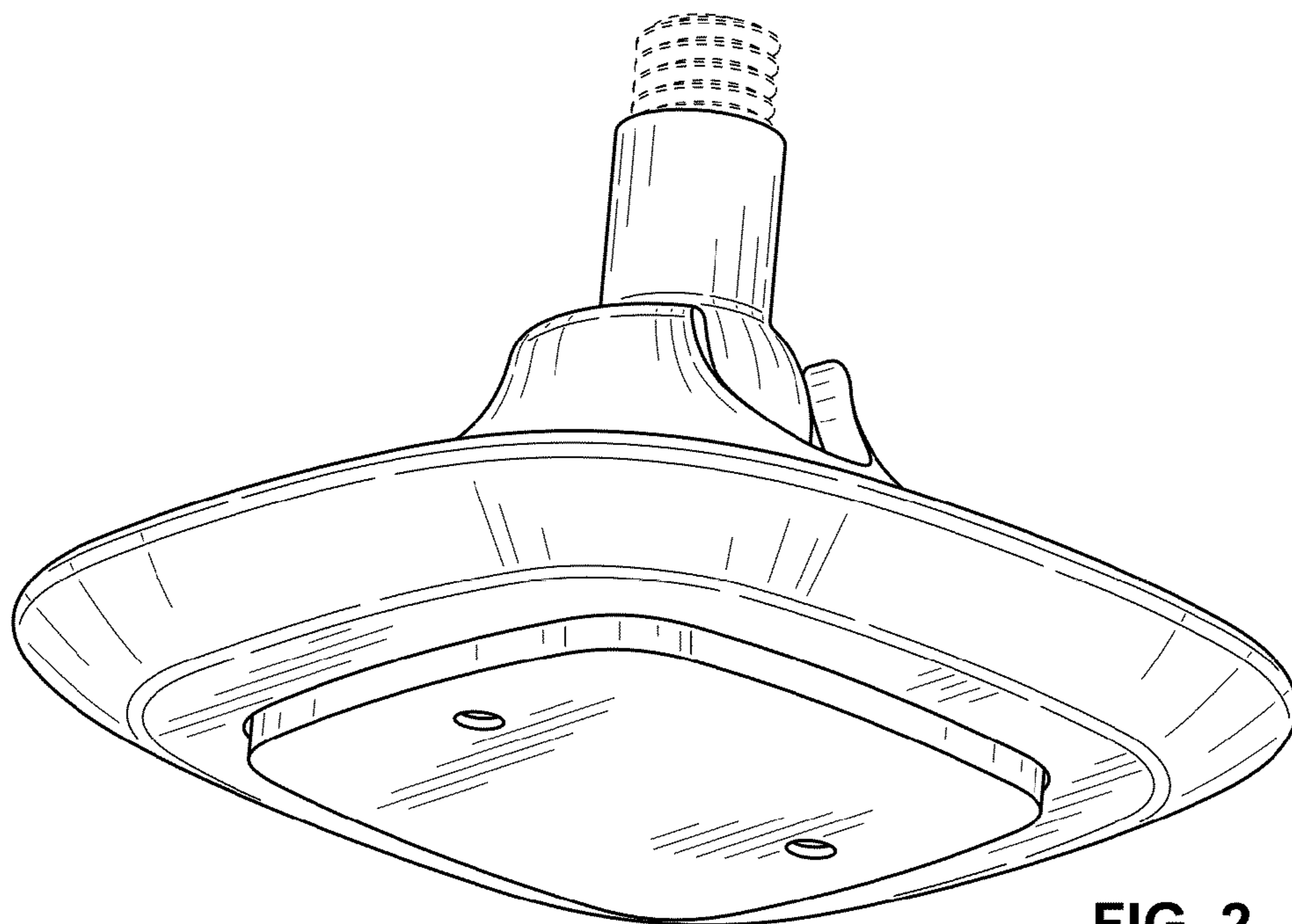


FIG. 2

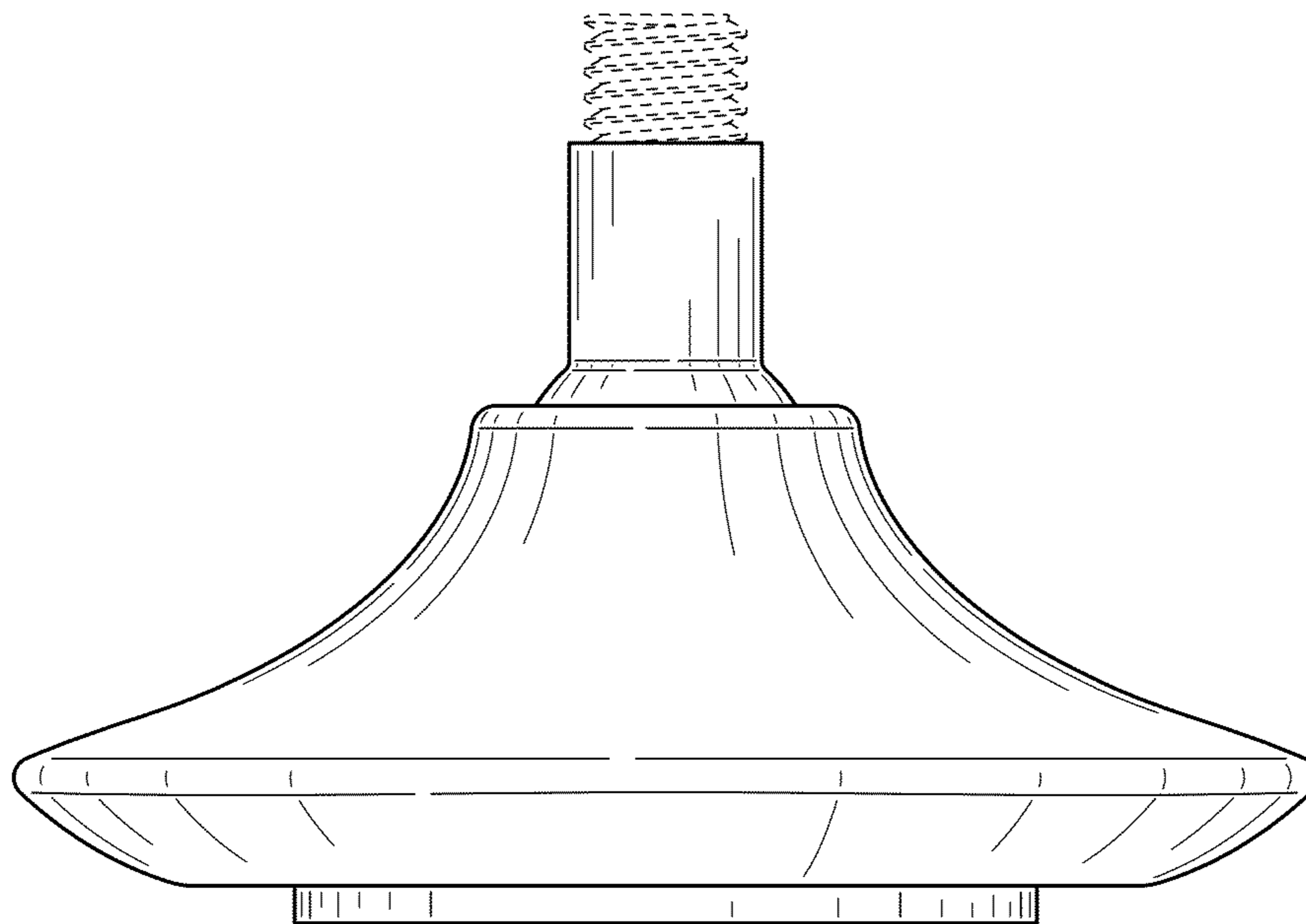


FIG. 3

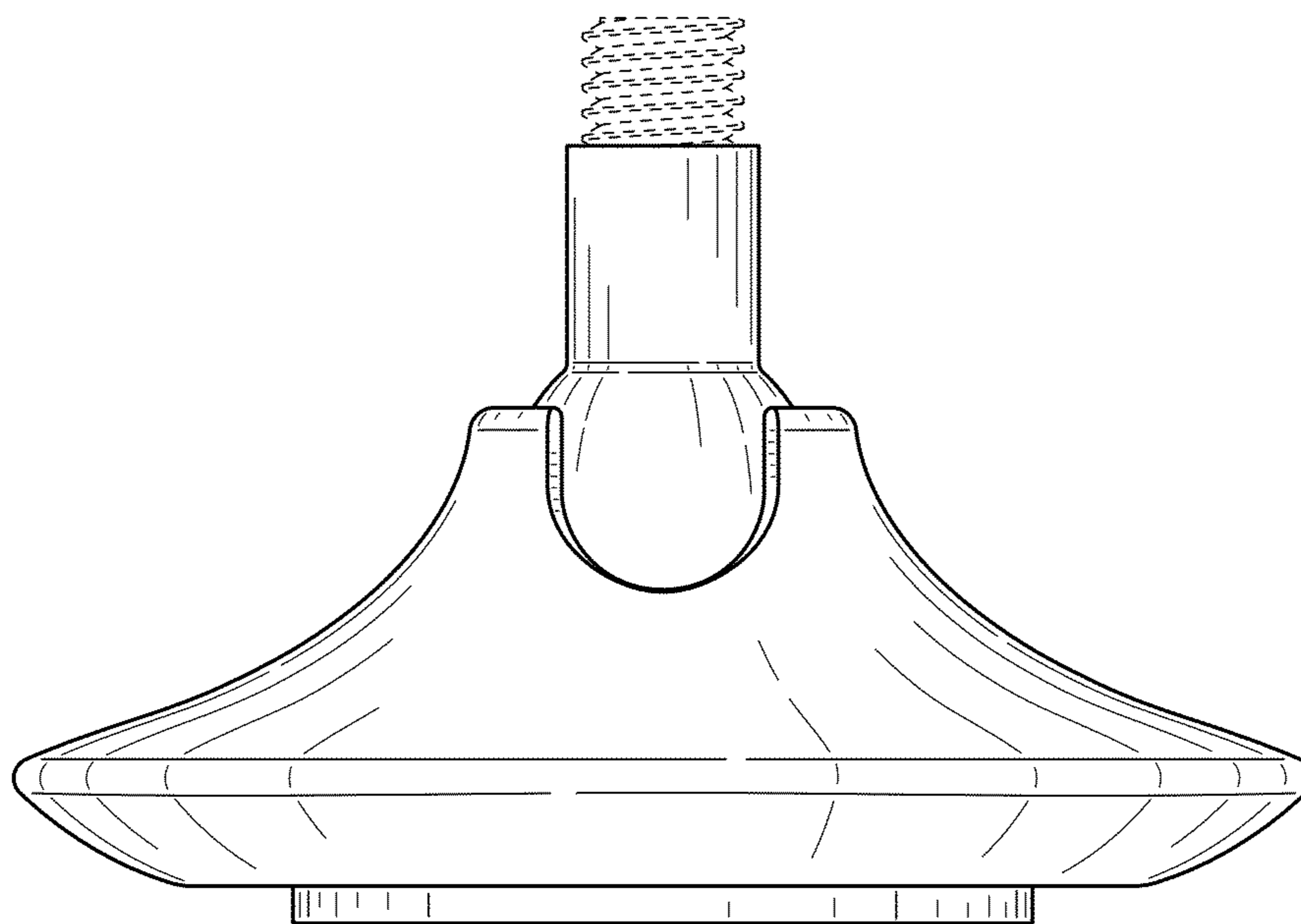


FIG. 4

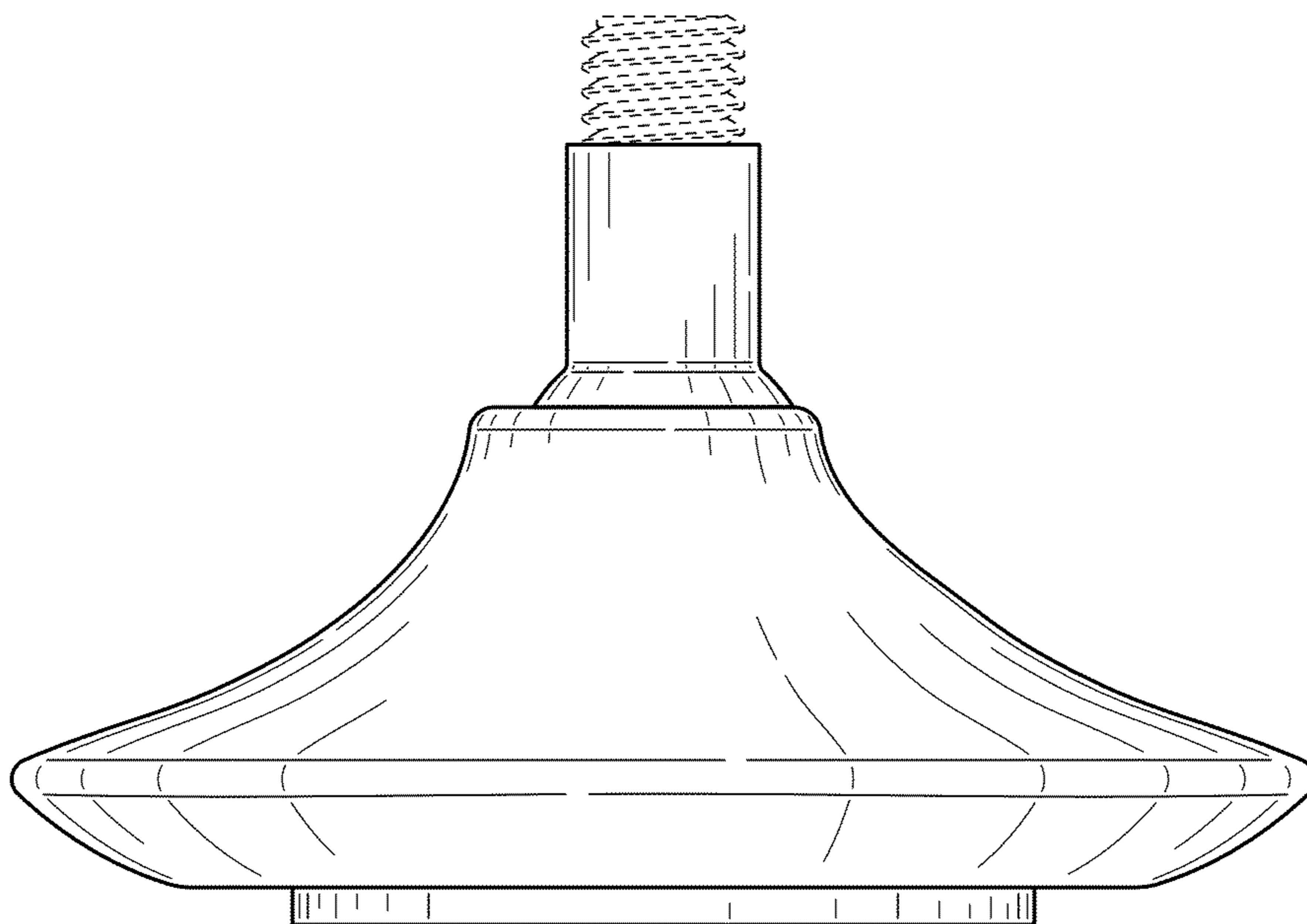


FIG. 5

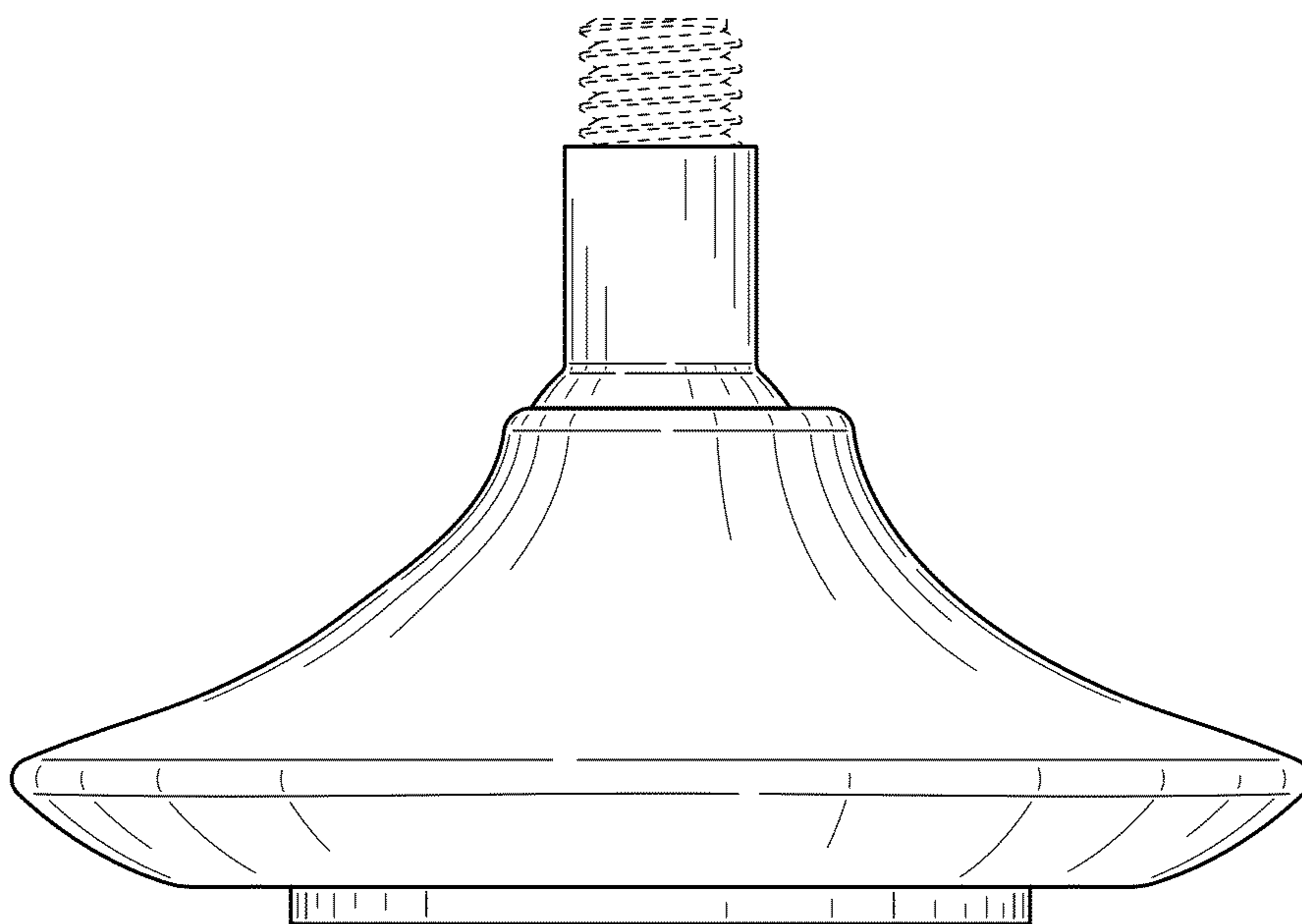


FIG. 6

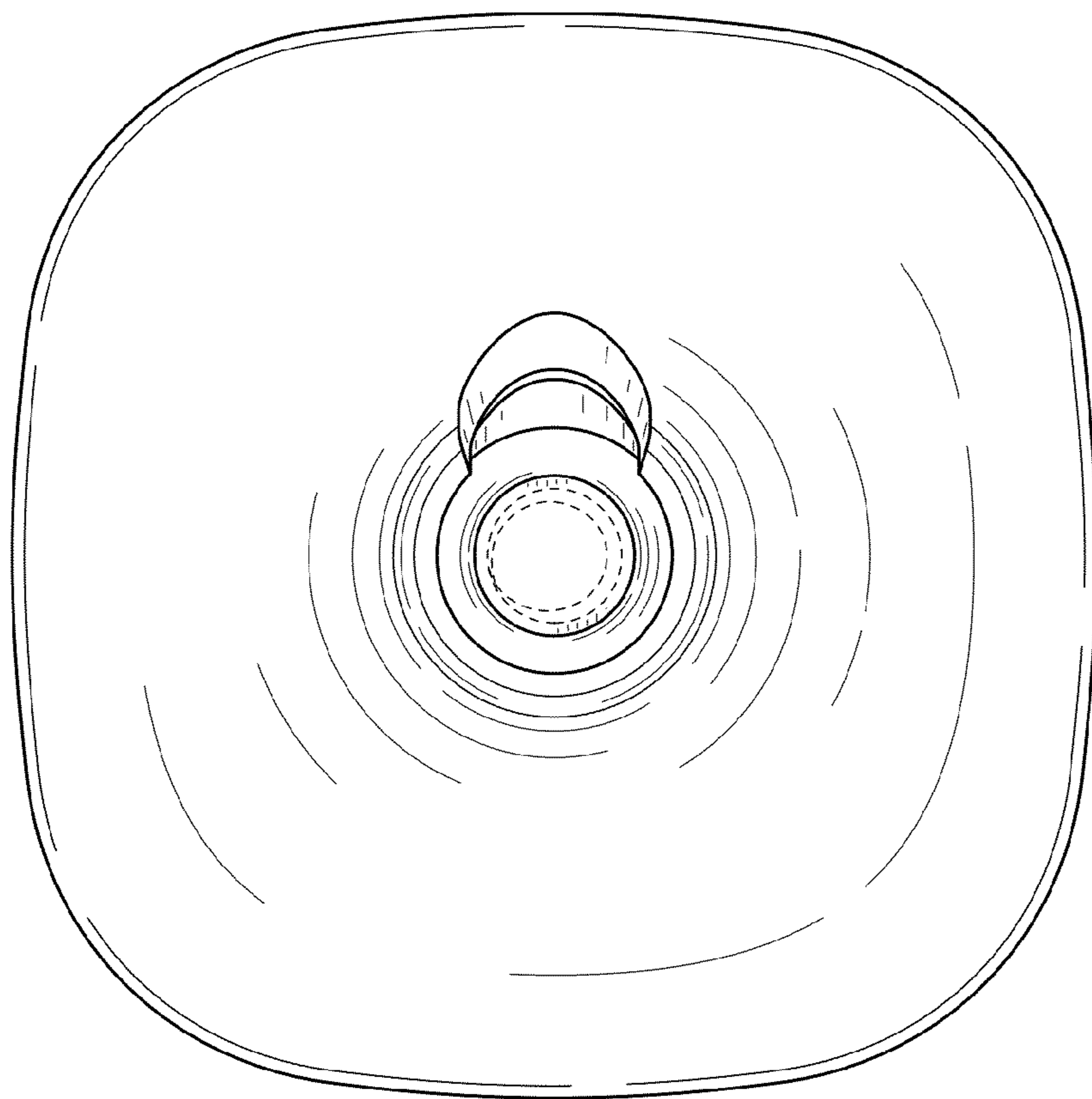


FIG. 7

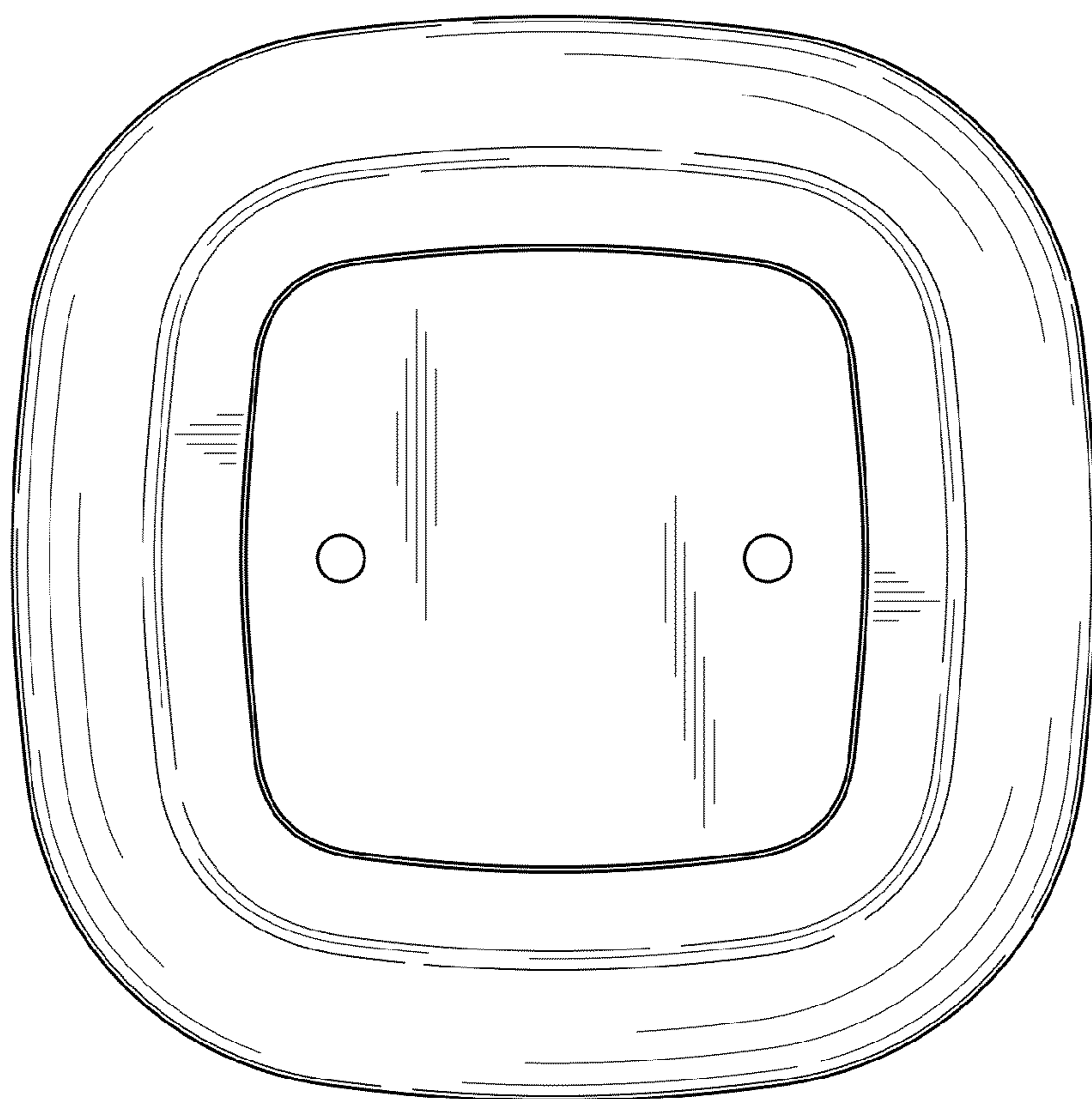


FIG. 8

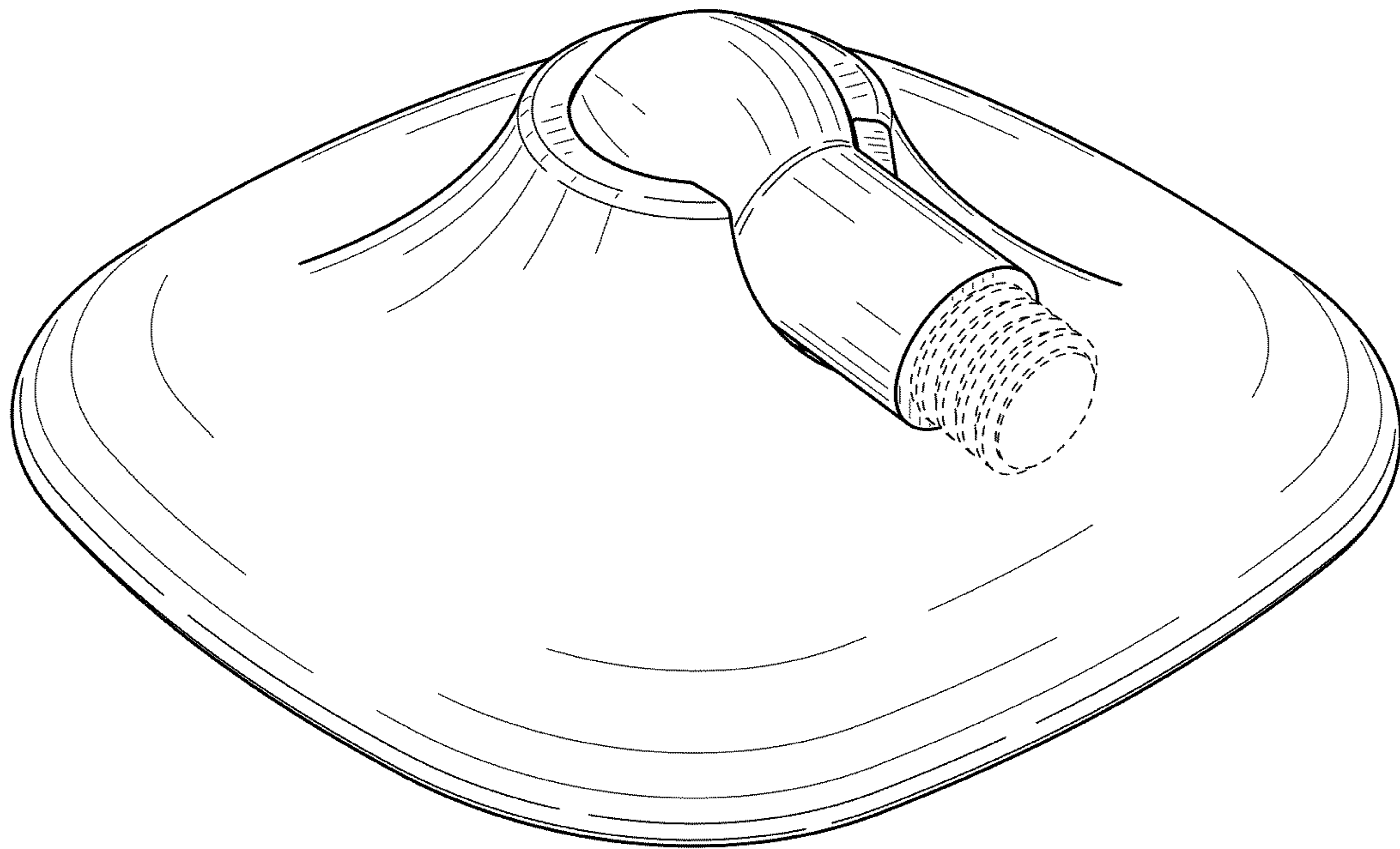


FIG. 9