



US00D755879S

(12) **United States Design Patent**
Zhan

(10) **Patent No.:** **US D755,879 S**

(45) **Date of Patent:** **** May 10, 2016**

(54) **LED SPOT LIGHT**

(71) Applicant: **FUZHOU F&V PHOTOGRAPHIC EQUIPMENT CO., LTD.**, Fuzhou (CN)

(72) Inventor: **Xiao-Ming Zhan**, Fuzhou (CN)

(73) Assignee: **FUZHOU F&V PHOTOGRAPHIC EQUIPMENT CO., LTD.**, Fuzhou, Fujian (CN)

(**) Term: **14 Years**

(21) Appl. No.: **29/507,773**

(22) Filed: **Oct. 30, 2014**

(51) **LOC (10) Cl.** **16-05**

(52) **U.S. Cl.**
USPC **D16/239**

(58) **Field of Classification Search**
USPC D16/237, 239, 240; D26/24, 37, 38, 63, D26/110, 113, 129; 257/79, 80, 81, 98, 99, 257/100; 313/313-316; 362/3, 16-18, 552, 362/555

See application file for complete search history.

(56) **References Cited**

U.S. PATENT DOCUMENTS

D614,224 S *	4/2010	Orion	D16/239
D659,867 S *	5/2012	Zhan	D16/239
D677,308 S *	3/2013	Zhan	D16/239
D677,708 S *	3/2013	Zhan	D16/239
D677,815 S *	3/2013	Zhan	D16/239

D693,397 S *	11/2013	Zhan	D16/239
D699,279 S *	2/2014	Zhan	D16/239
D699,779 S *	2/2014	Zhan	D16/239
D711,576 S *	8/2014	Zhan	D26/63
D721,116 S *	1/2015	Schnell	D16/218
D723,727 S *	3/2015	Moeller	D26/63
D735,922 S *	8/2015	Yamauchi	D16/239
D740,985 S *	10/2015	Dooley	D26/37

OTHER PUBLICATIONS

http://www.kaiser-fototechnik.de/en/produkte/2_1_produkthanzeige.asp?nr=3270 Available Jul. 5, 2012.*

* cited by examiner

Primary Examiner — Susan Bennett Hattan

Assistant Examiner — Leanne Was

(57) **CLAIM**

The ornamental design for a LED spot light, as shown and described.

DESCRIPTION

FIG. 1 is a perspective view of LED spot light showing my present design;

FIG. 2 is a front view thereof;

FIG. 3 is a rear view thereof;

FIG. 4 is a left side view thereof;

FIG. 5 is a right side view thereof;

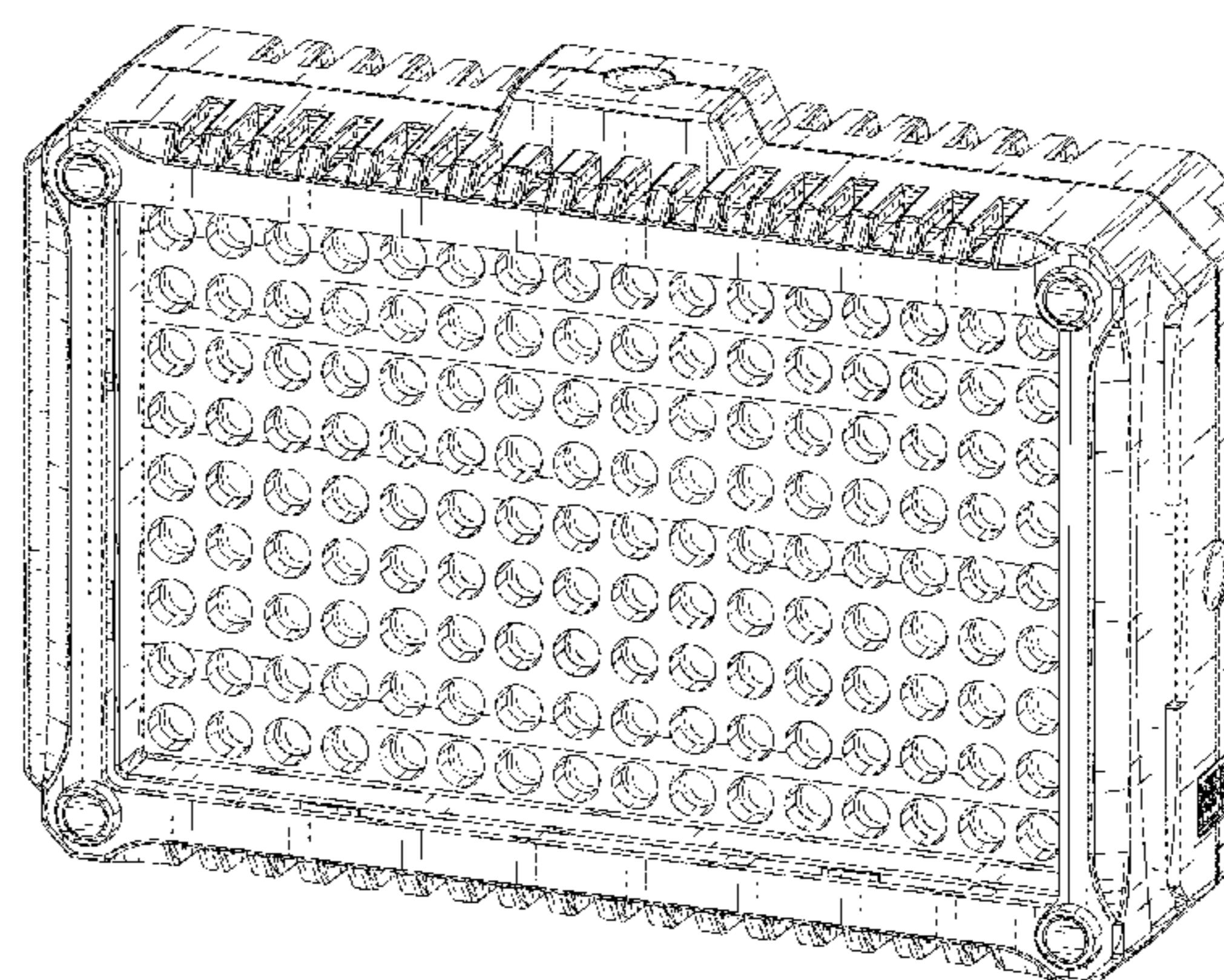
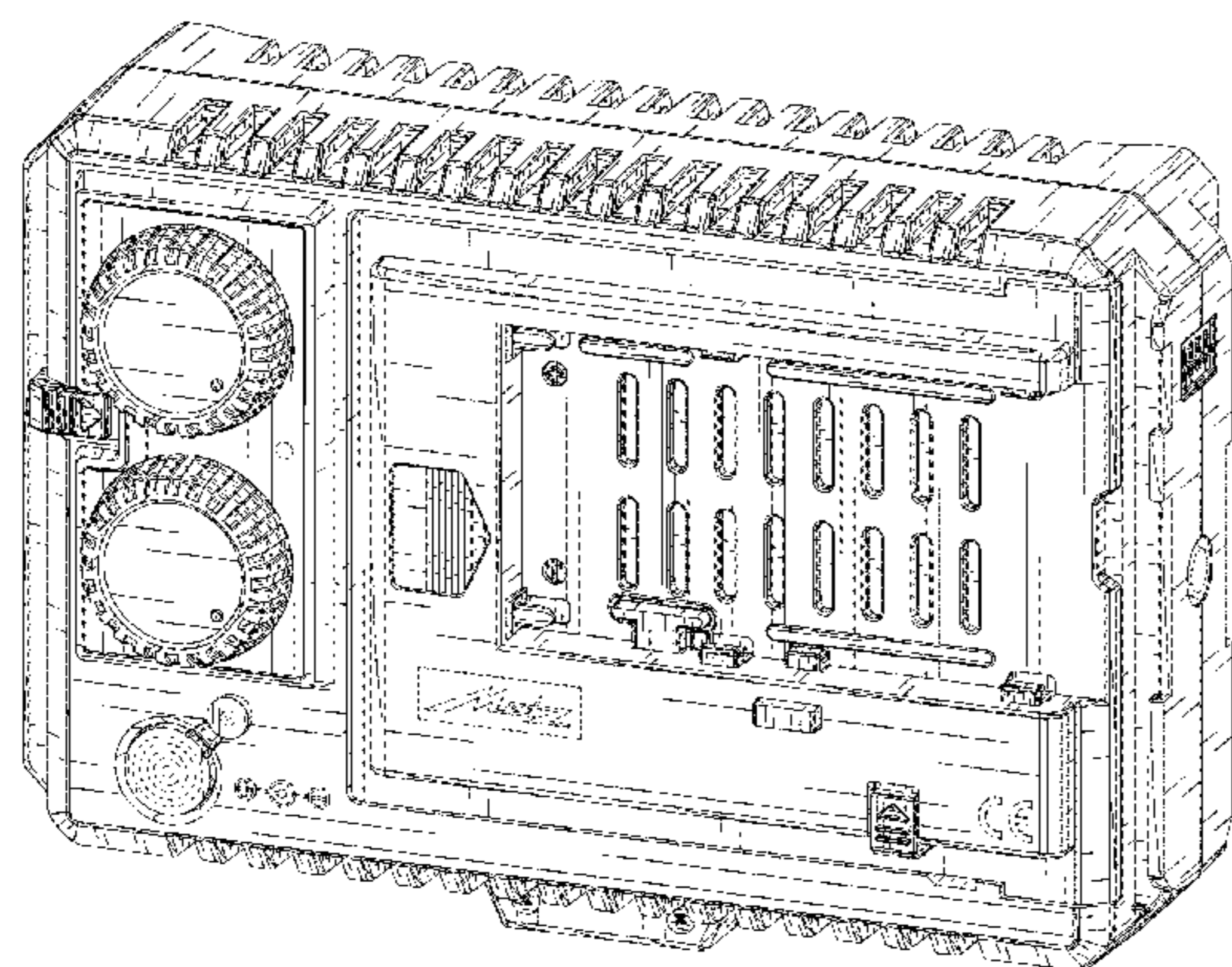
FIG. 6 is a top view thereof;

FIG. 7 is a bottom view thereof; and,

FIG. 8 is a rear perspective view of a LED spot light, showing my present design in an upside down position.

The broken lines in the drawing depict portions of the LED spot light that form no part of the claimed design.

1 Claim, 8 Drawing Sheets



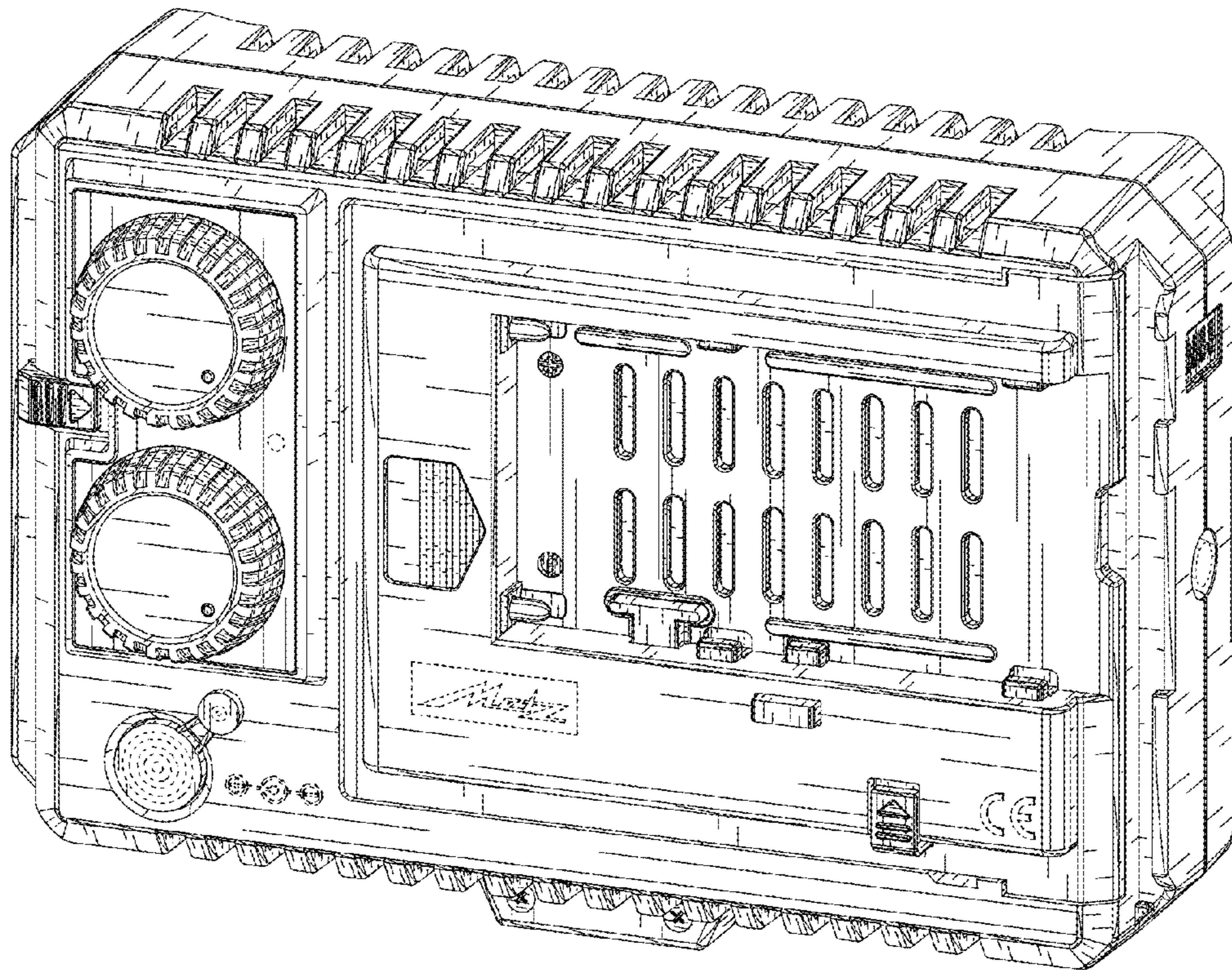


FIG. 1

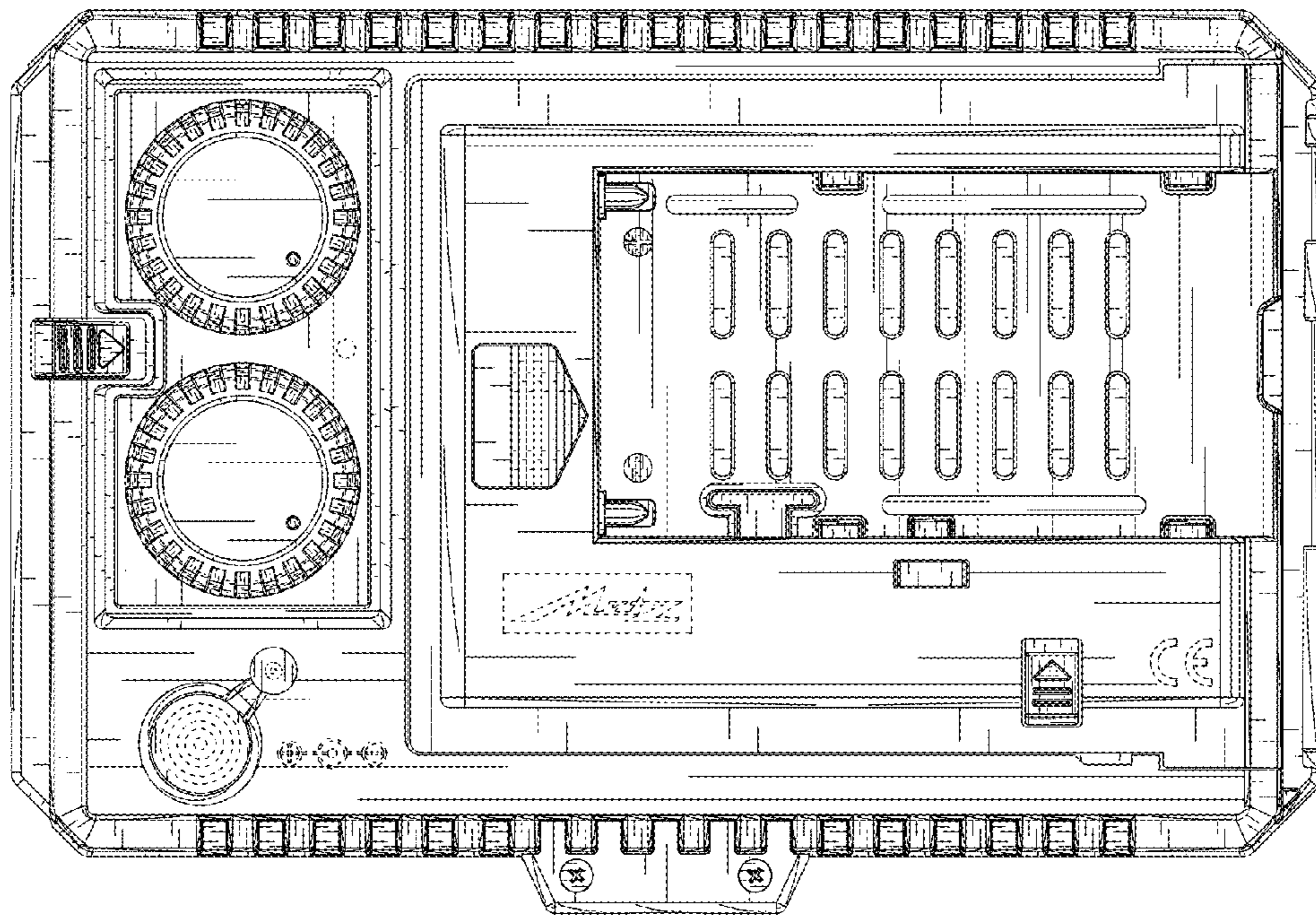
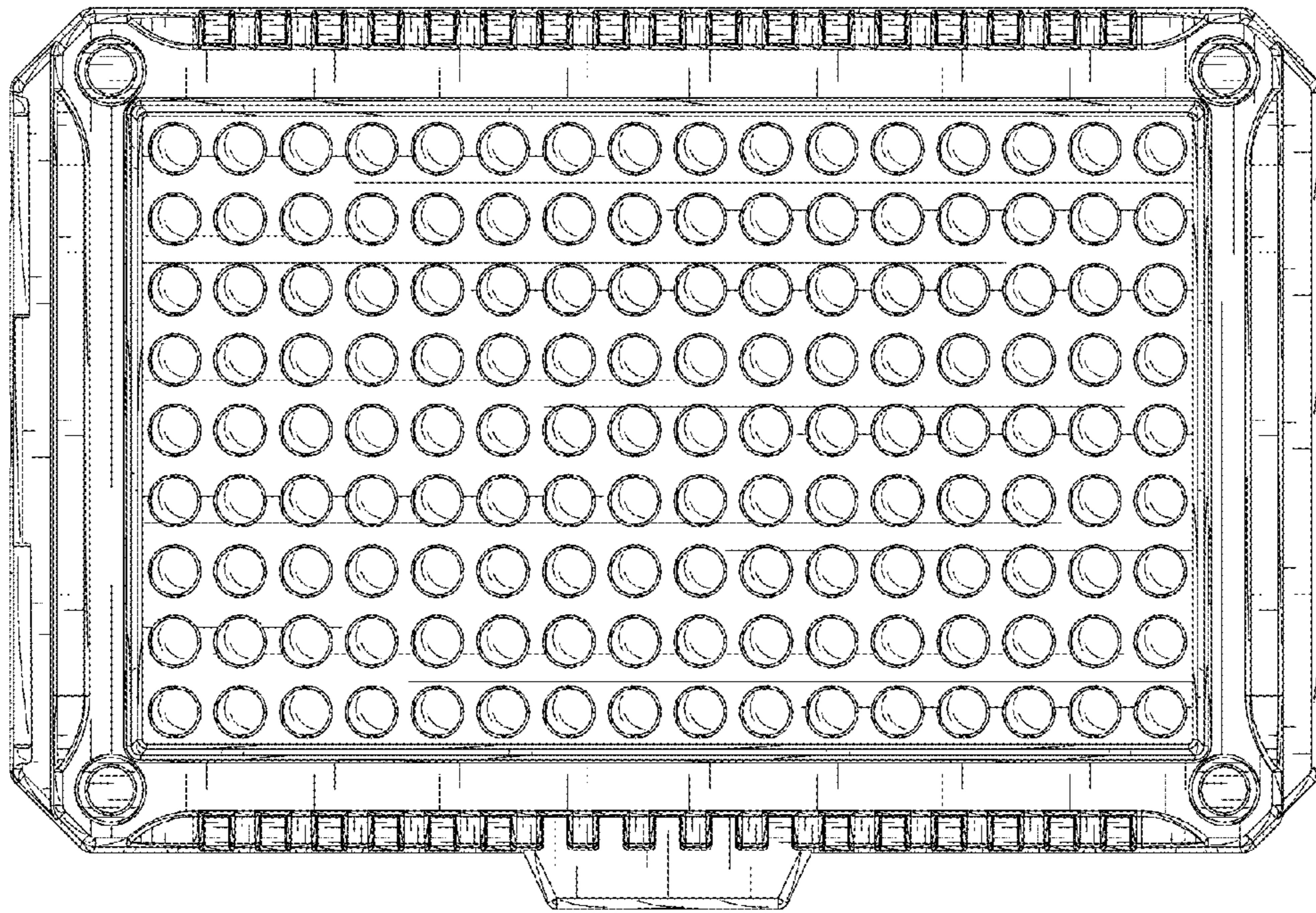
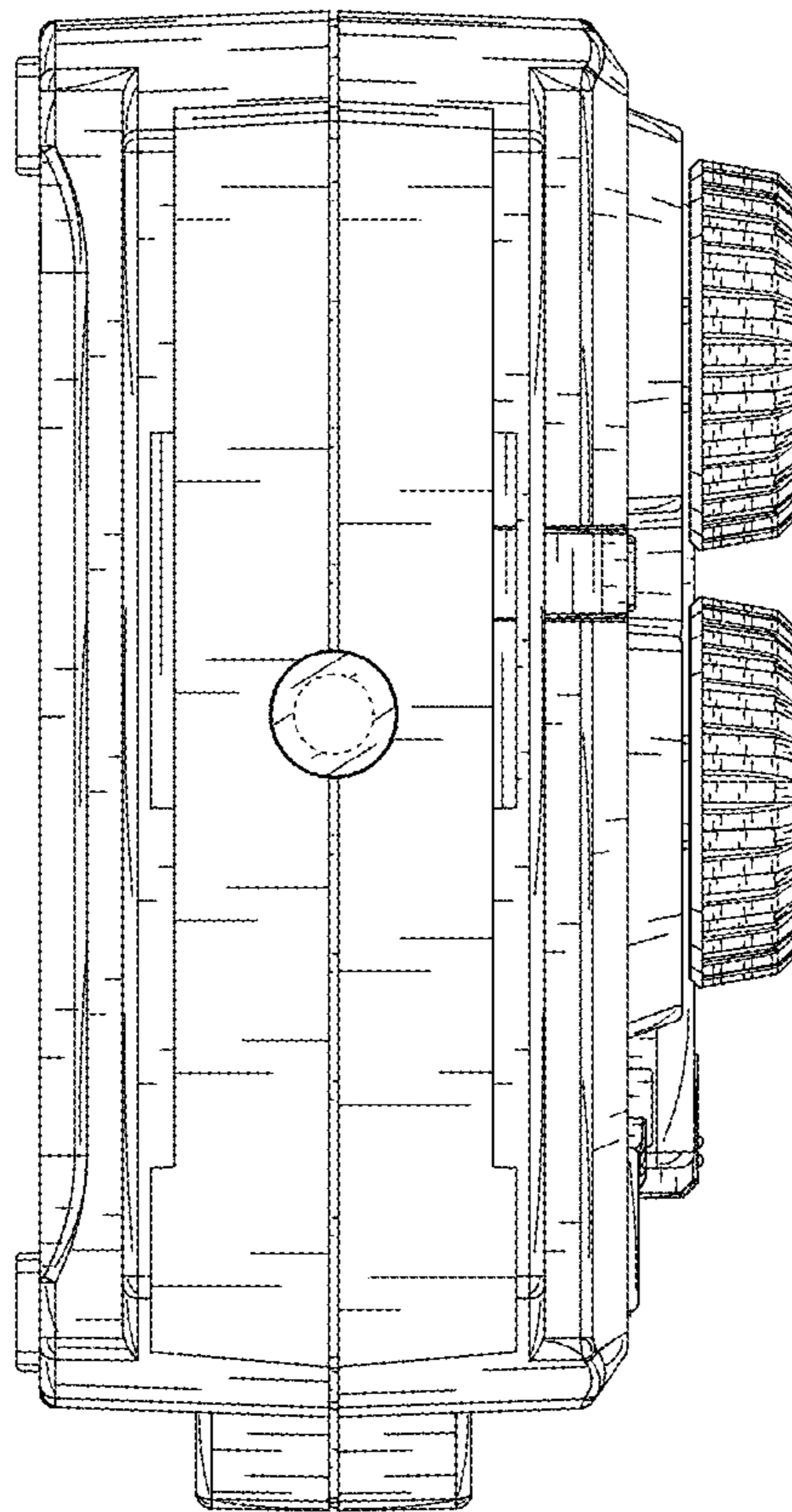


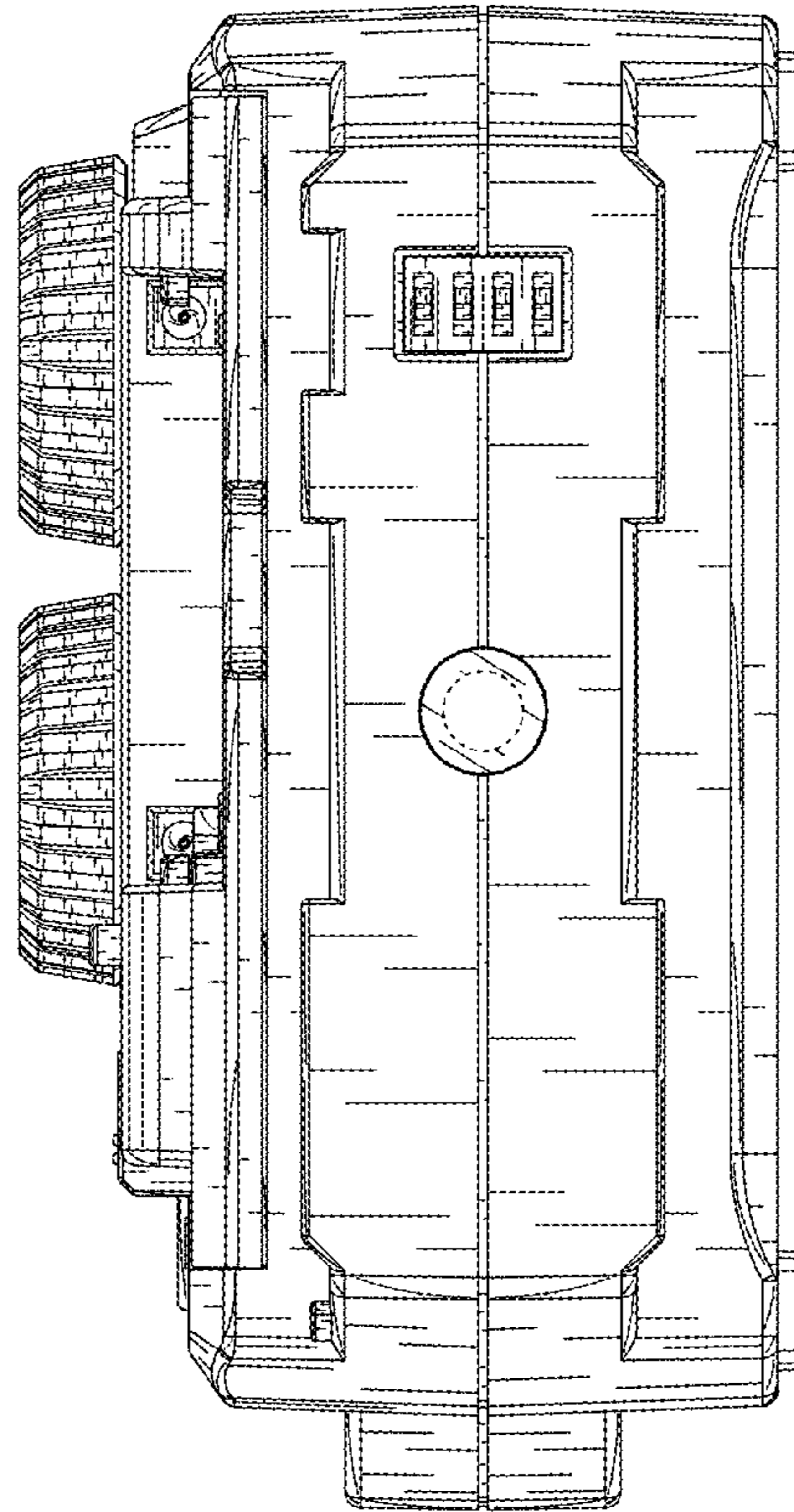
FIG. 2



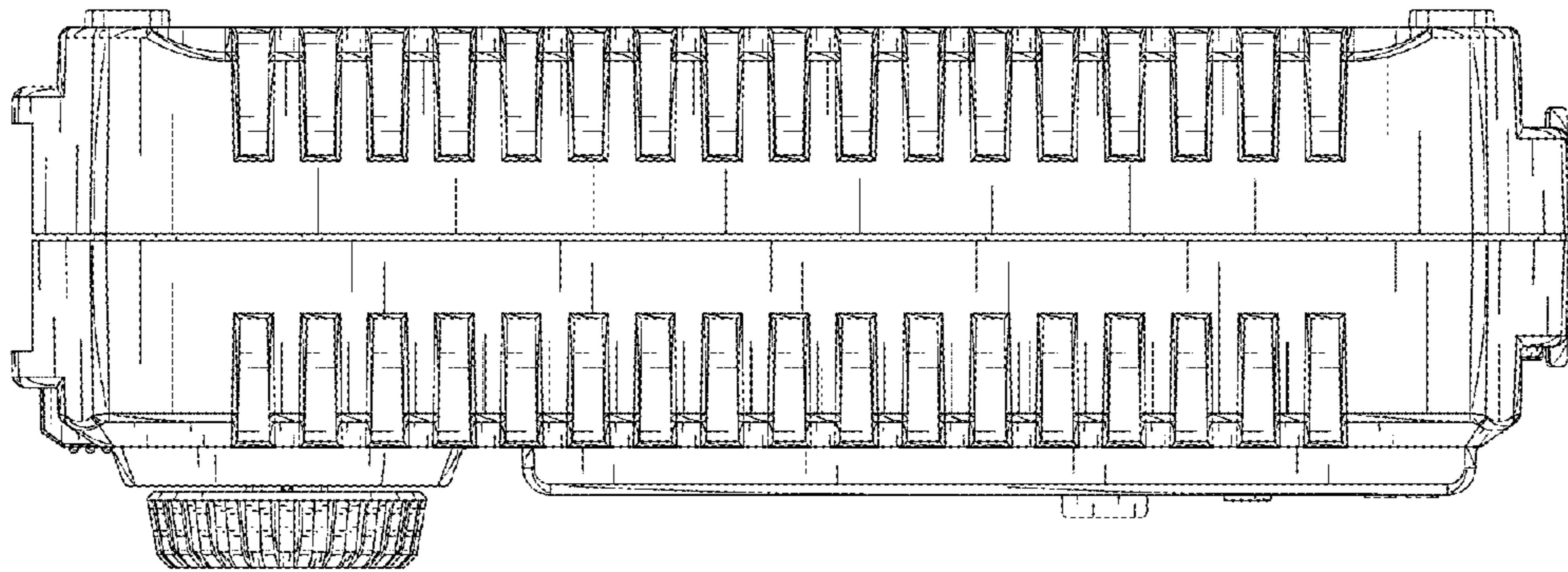
F I G. 3



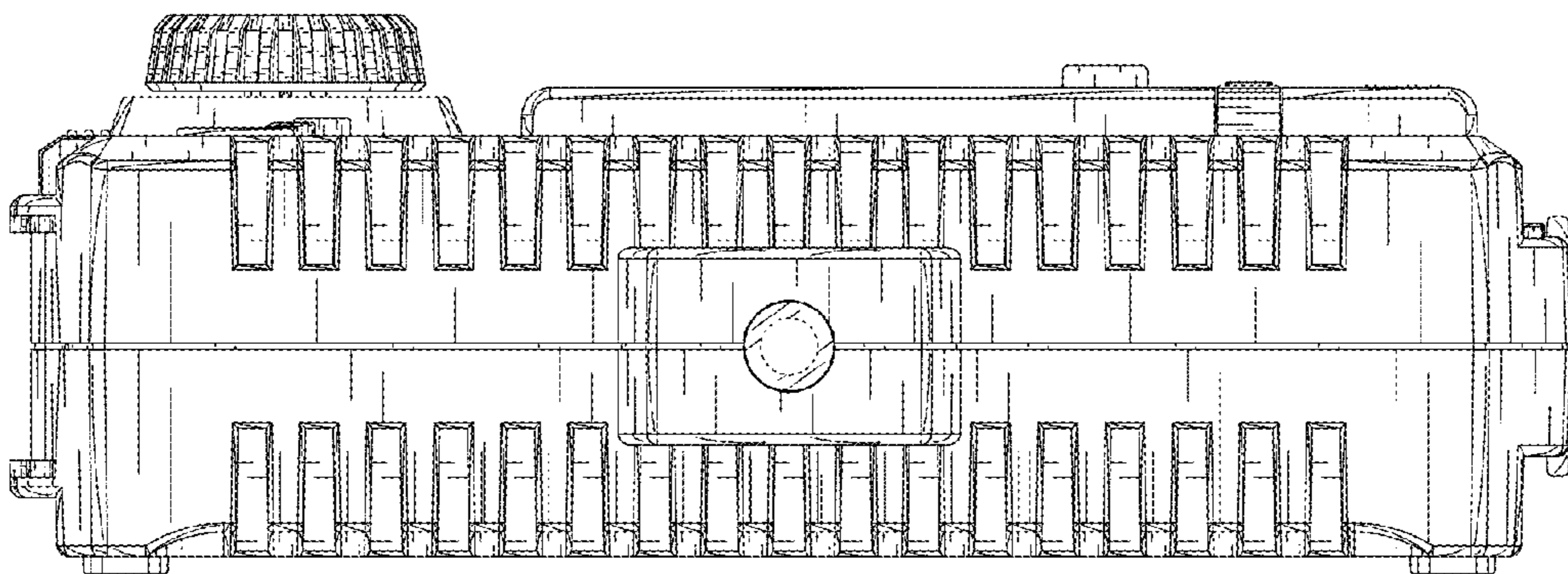
F I G. 4



F I G. 5



F I G. 6



F I G . 7

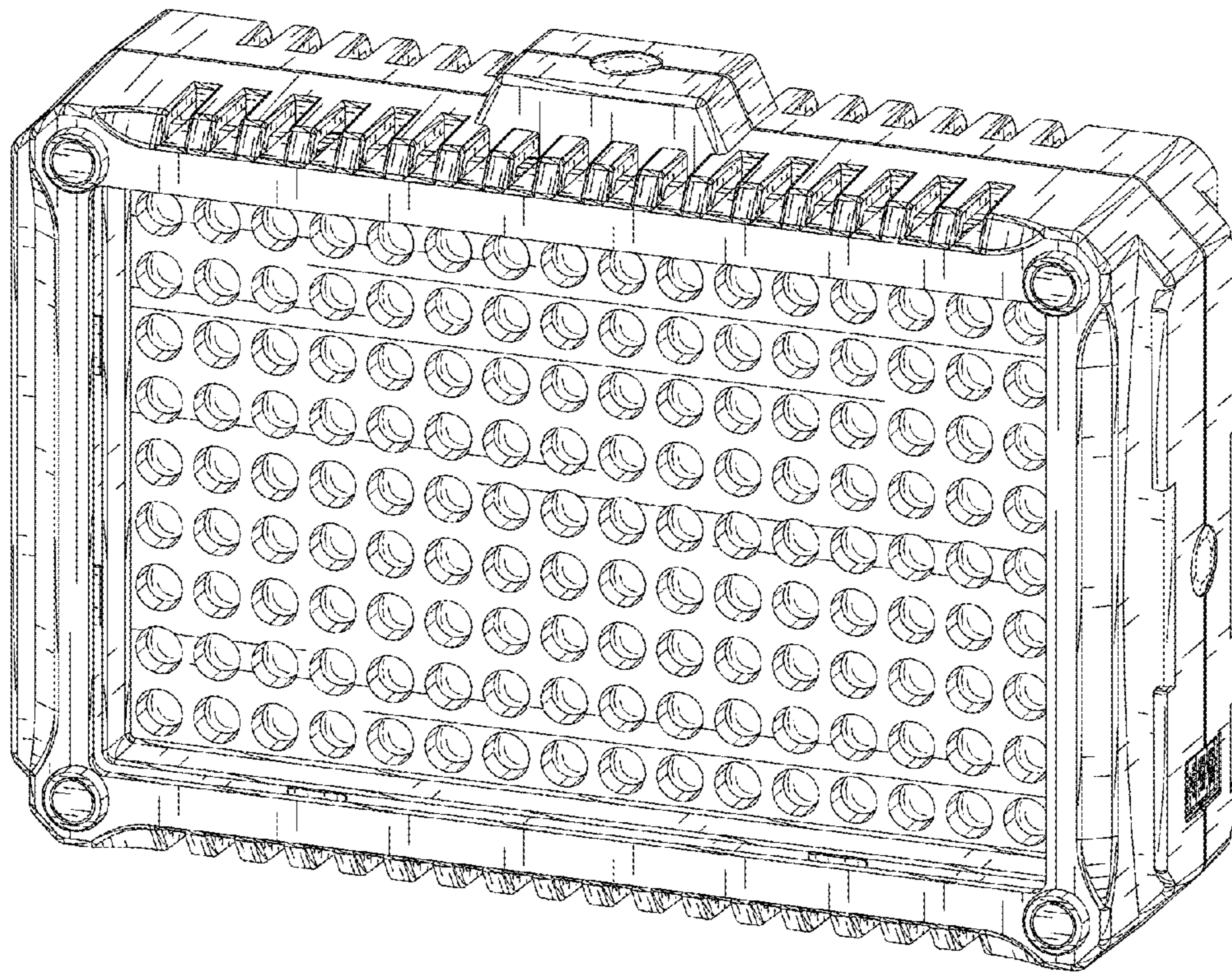


FIG. 8