



US00D755876S

(12) **United States Design Patent**
Moss

(10) **Patent No.:** **US D755,876 S**
(45) **Date of Patent:** **** May 10, 2016**

(54) **PORTABLE PHOTO BOOTH**

(56) **References Cited**

U.S. PATENT DOCUMENTS

(71) Applicant: **Kenneth Joseph Moss**, Forrest Hill, MD
(US)

D201,590 S *	7/1965	Sigmond	D16/214
D496,381 S *	9/2004	McDonald	D16/203
D548,763 S *	8/2007	Boris	D16/202
D569,887 S *	5/2008	Feng et al.	D16/202
D582,955 S *	12/2008	Sekine et al.	D16/218
D606,106 S *	12/2009	Kim et al.	D16/218
D616,481 S *	5/2010	Wampler	D16/219
D624,108 S *	9/2010	Wang et al.	D16/219
D638,461 S *	5/2011	Kim et al.	D16/235
D647,934 S *	11/2011	Raken et al.	D16/202
D654,526 S *	2/2012	Shivkumar et al.	D16/200
D692,939 S *	11/2013	Huang et al.	D16/218

(72) Inventor: **Kenneth Joseph Moss**, Forrest Hill, MD
(US)

(**) Term: **14 Years**

(21) Appl. No.: **29/471,721**

* cited by examiner

(22) Filed: **Nov. 4, 2013**

Primary Examiner — Susan E Krakower
Assistant Examiner — Ramzi Almatrahi

(51) **LOC (10) Cl.** **16-01**

(57) **CLAIM**

The ornamental design for a portable photo booth, as shown and described.

(52) **U.S. Cl.**

USPC **D16/214; D16/215**

DESCRIPTION

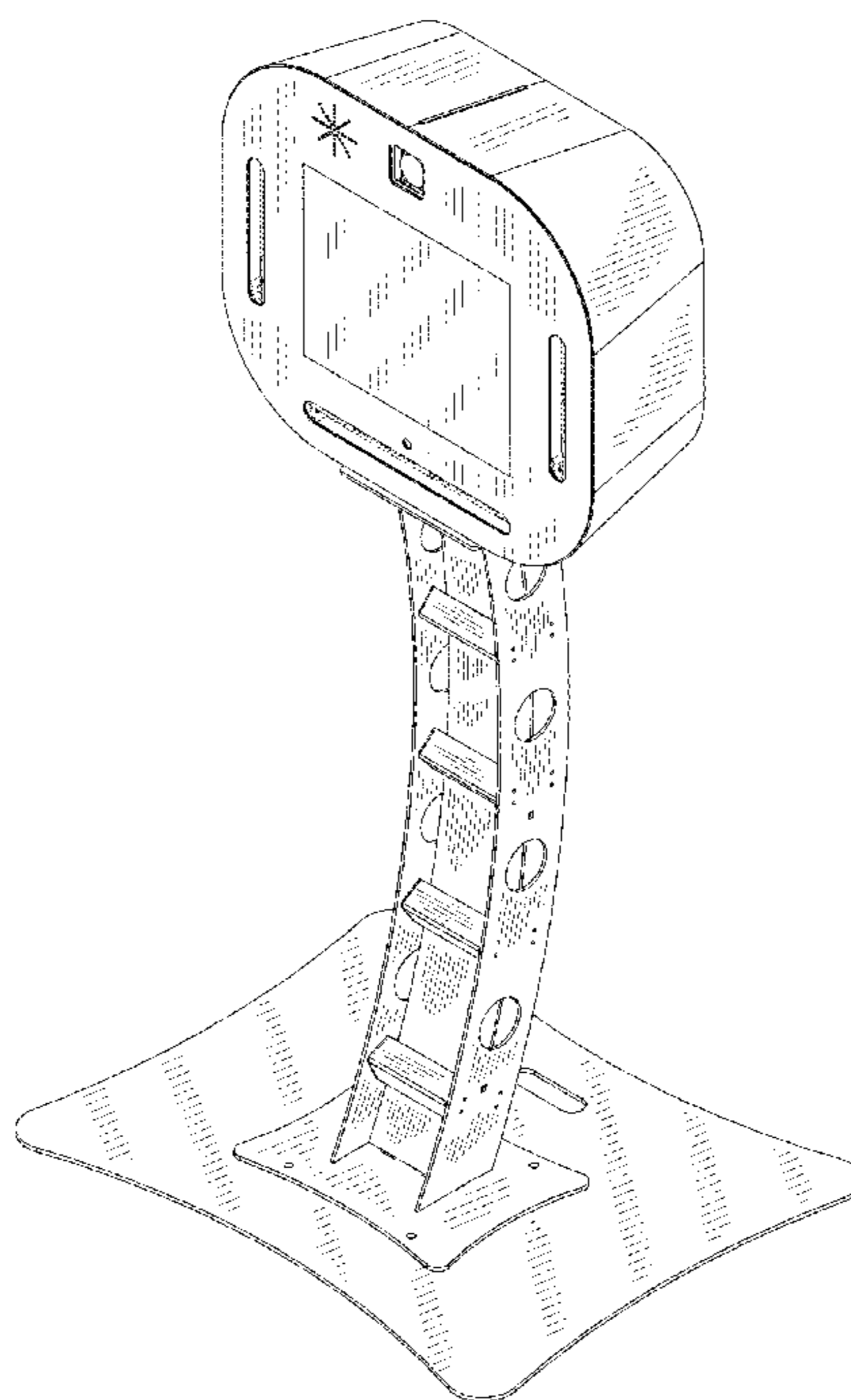
(58) **Field of Classification Search**

USPC D16/200, 202–206, 212, 214–216, 218,
D16/219, 227, 229, 235, 239, 240, 242,
D16/244; D25/16; 52/27.5, 29, 36.1;
348/373–376; 396/2, 3, 5, 419, 424,
396/427, 429, 535, 539–541; 455/575.3
CPC G03B 15/00; G03B 15/03; G03B 15/06;
G03B 17/02; G03B 17/04; G03B 17/53;
G03B 17/56; G03B 19/04; H04N 5/2251;
H04N 5/2252; H04N 5/2253; H04N 5/2254;
H04N 2101/00

FIG. 1 is a front perspective view of a portable photo booth;
FIG. 2 is a front view of the portable photo booth;
FIG. 3 is a rear view of the portable photo booth;
FIG. 4 is a left view of the portable photo booth;
FIG. 5 is a right view of the portable photo booth;
FIG. 6 is a bottom view of the portable photo booth; and,
FIG. 7 is a top view of the portable photo booth.
The broken lines depict portions of the portable photo booth
in which the design is embodied and form no part of the
claimed design.

See application file for complete search history.

1 Claim, 6 Drawing Sheets



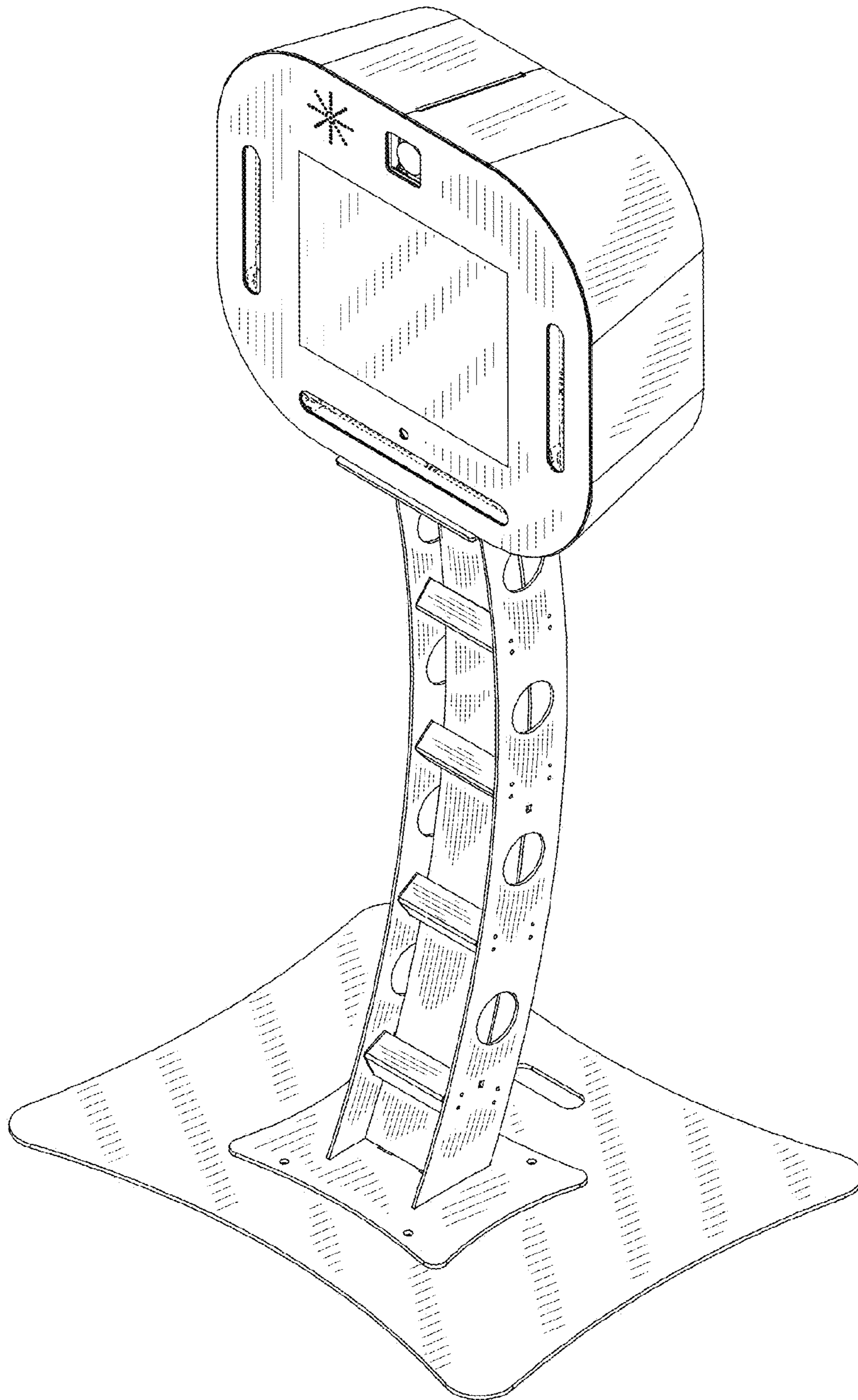


FIG. 1

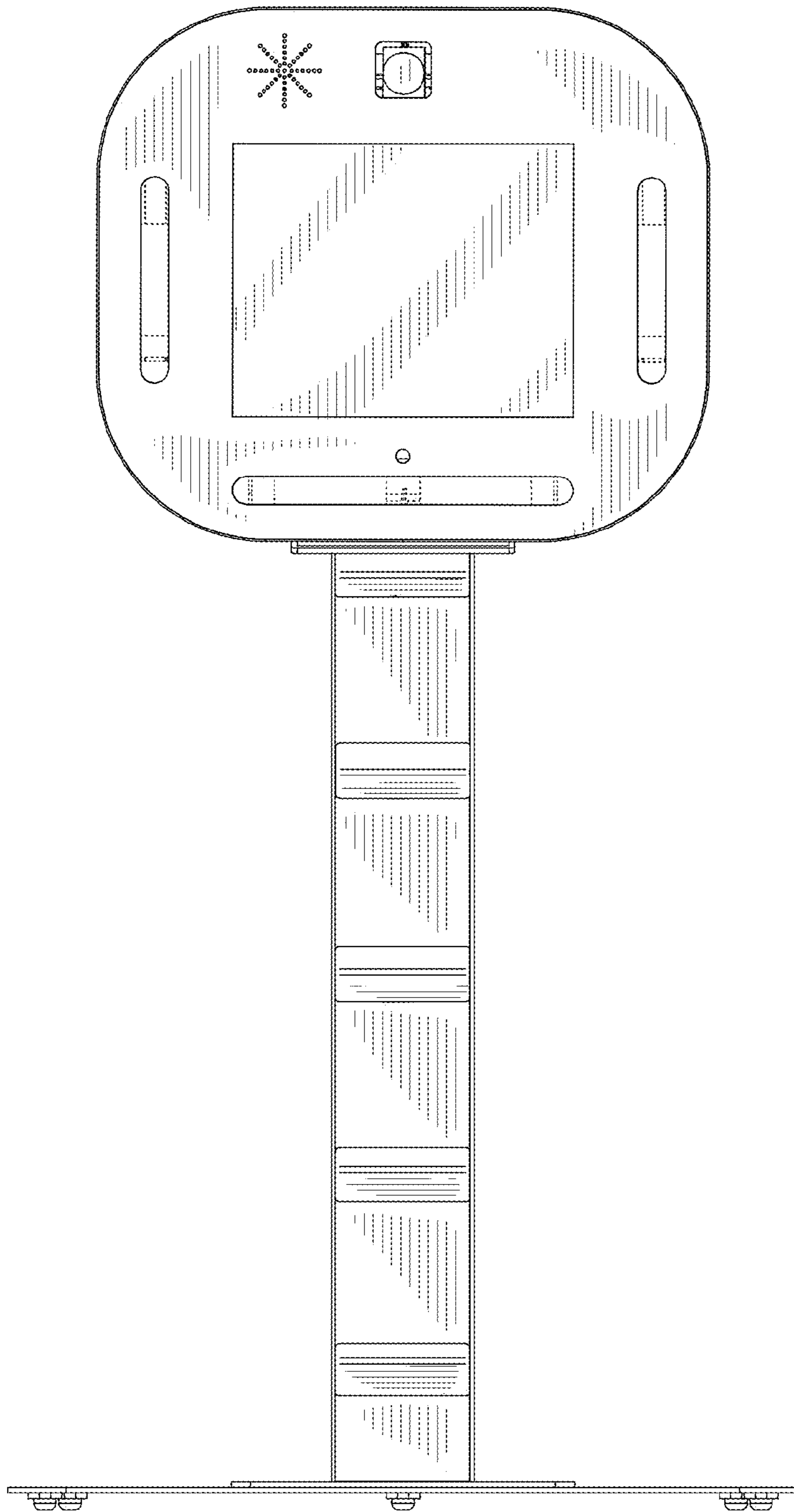


FIG. 2

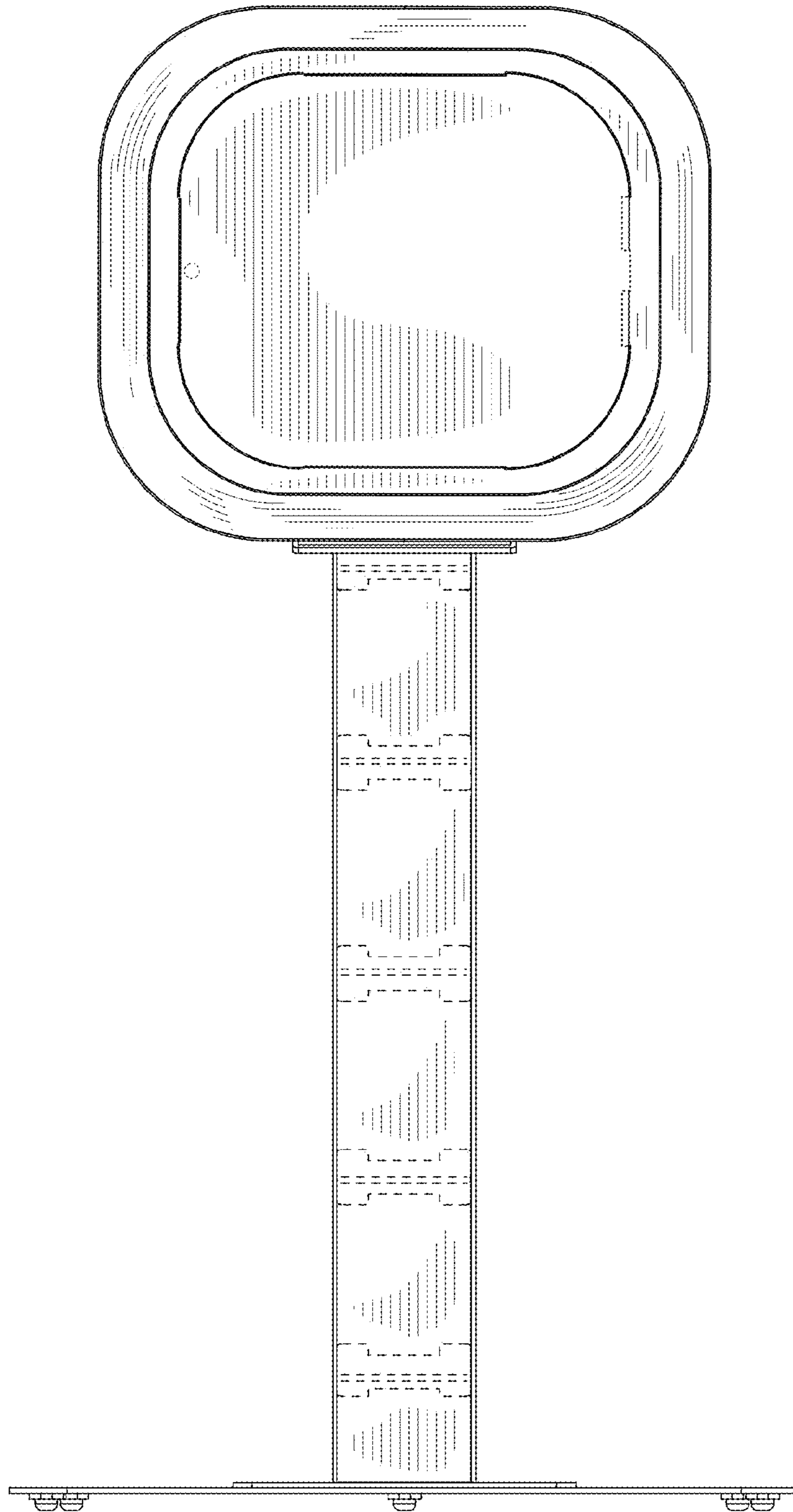


FIG. 3

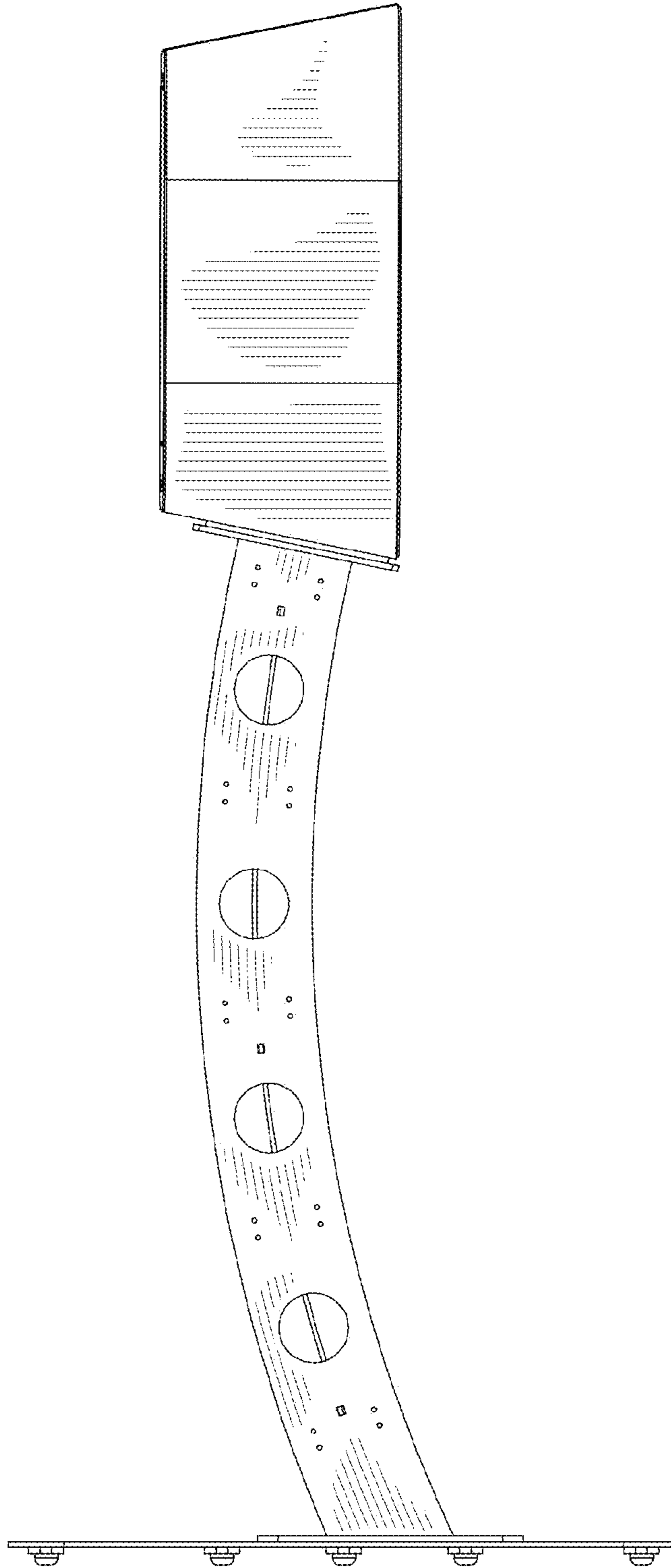


FIG. 4

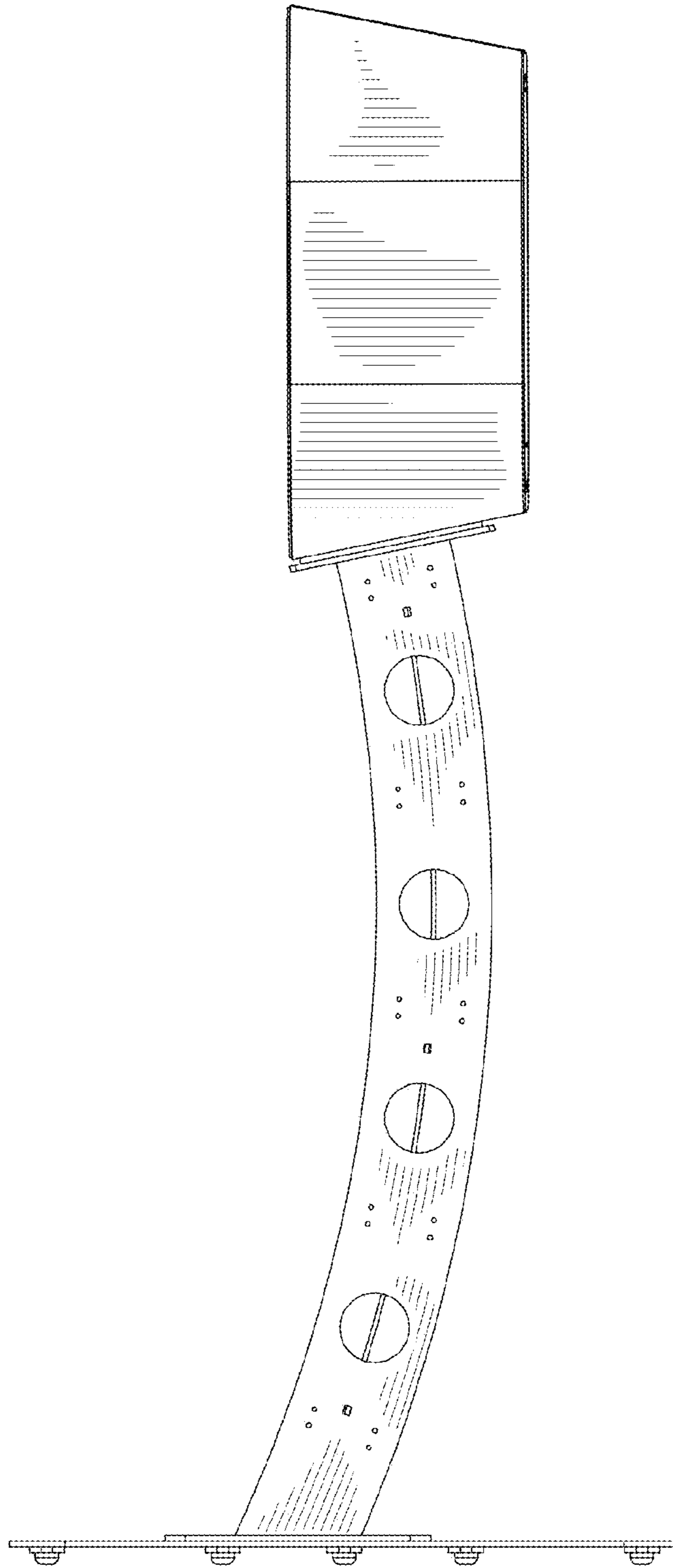


FIG. 5

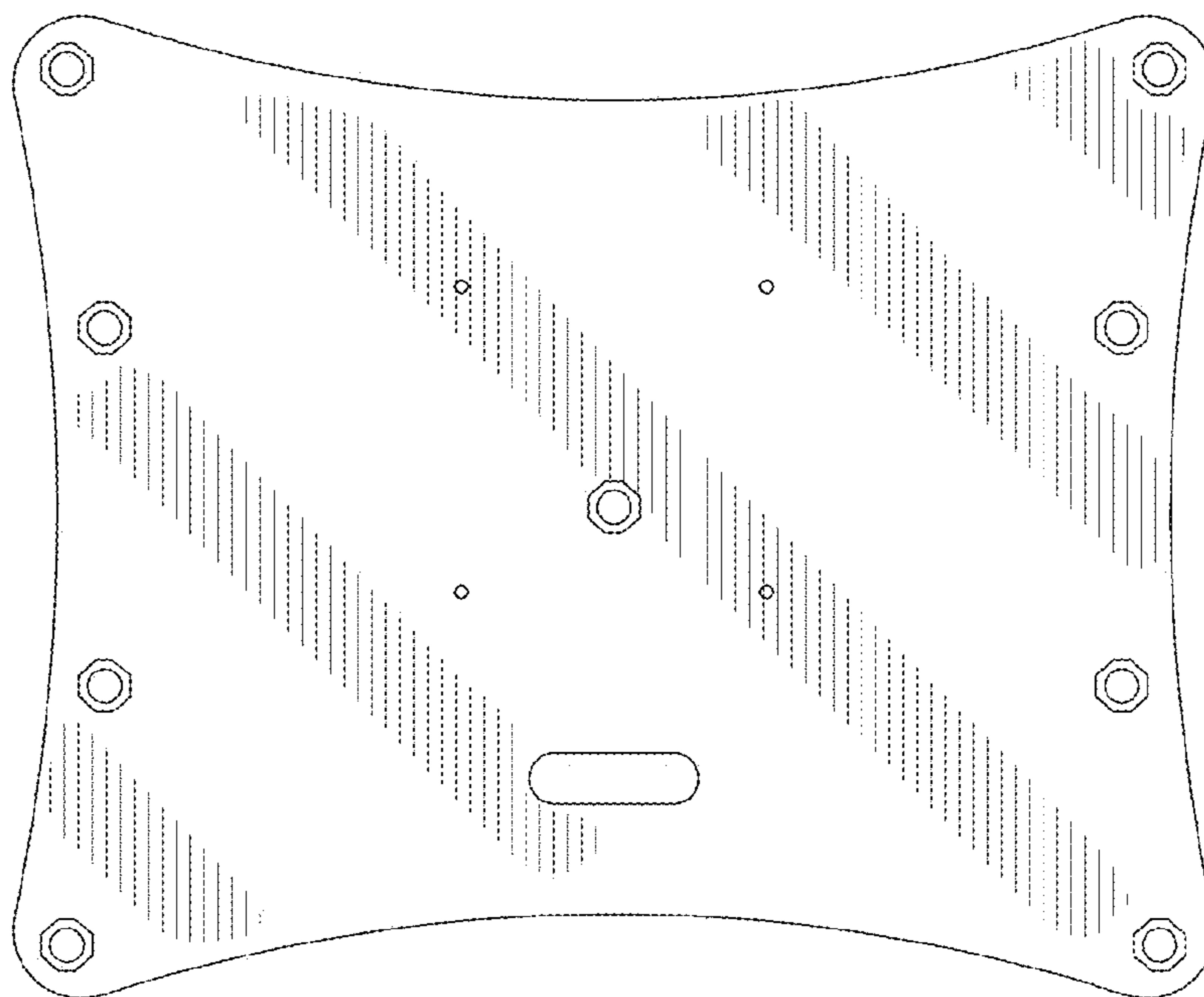


FIG. 6

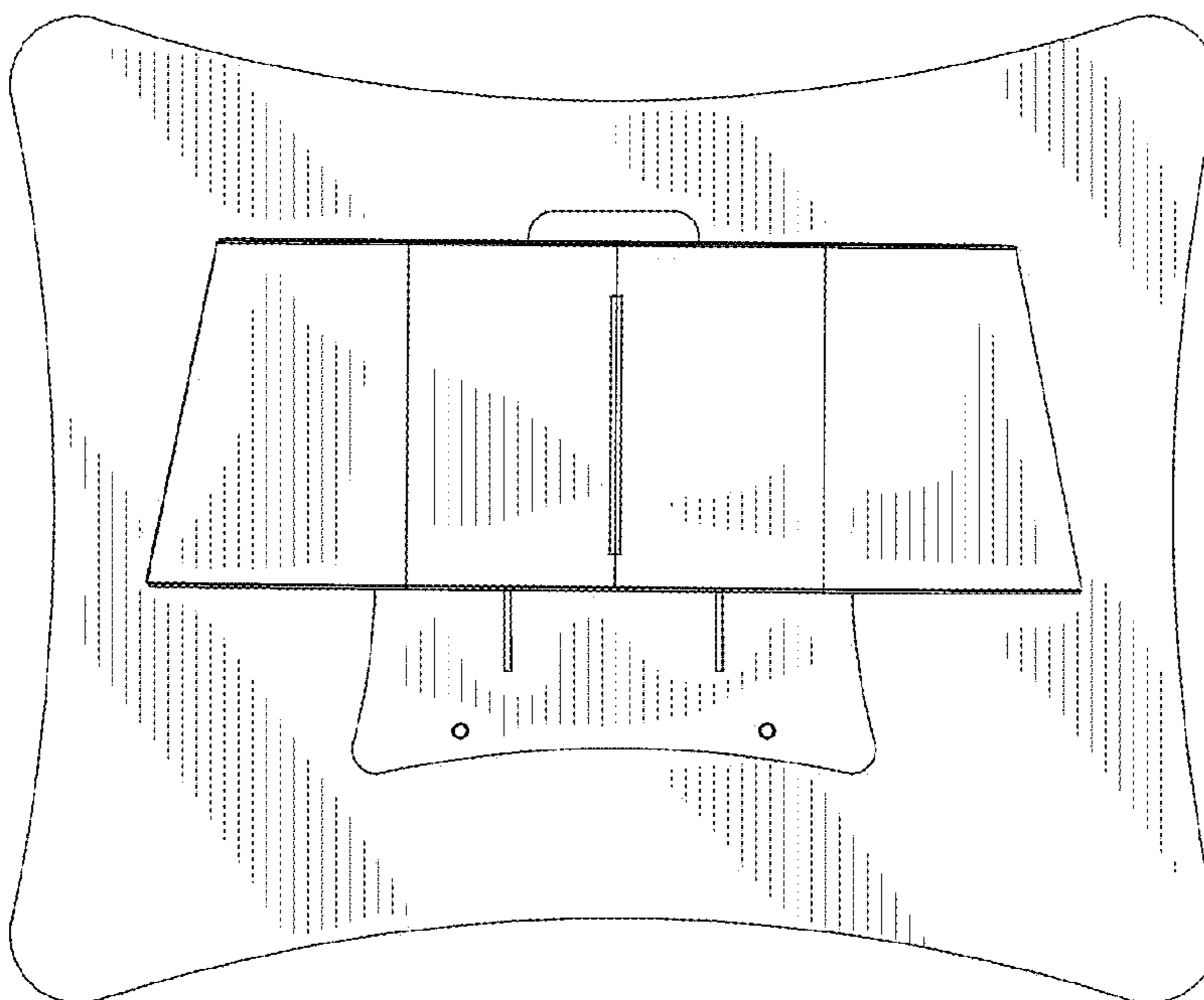


FIG. 7