



US00D755875S

(12) **United States Design Patent**
Geng et al.

(10) **Patent No.:** **US D755,875 S**
(45) **Date of Patent:** **** May 10, 2016**

(54) **SURVEILLANCE CAMERA WITH INTEGRATED MOUNTING FEATURE**

(71) Applicant: **Pelco, Inc.**, Clovis, CA (US)

(72) Inventors: **JunWei Geng**, Shanghai (CN); **Vincent Wong**, Shanghai (CN); **Richard T. Boswell**, Fresno, CA (US); **Greg M. Millar**, Coarsegold, CA (US)

(73) Assignee: **Pelco, Inc.**, Clovis, CA (US)

(**) Term: **14 Years**

(21) Appl. No.: **29/470,207**

(22) Filed: **Oct. 18, 2013**

(30) **Foreign Application Priority Data**

Apr. 28, 2013 (CN) 2013 1 0155844

(51) **LOC (10) Cl.** **16-01**

(52) **U.S. Cl.**

USPC **D16/203**

(58) **Field of Classification Search**

USPC D16/200, 202–205, 208, 218, 219, 242;
348/143, 148, 151, 373–376; 396/419,
396/427, 535, 539–541

CPC G03B 17/02; G03B 19/04; G03B 17/56;
G03B 17/04; G03B 15/03; H04N 5/2251;
H04N 5/2252; H04N 5/2253; H04N 5/2254;
H04N 7/181; H04N 7/183; H04N 7/18;
G08B 13/1963; G08B 13/19619; G08B
13/19632; F16M 11/04; F16M 13/00

See application file for complete search history.

(56) **References Cited**

U.S. PATENT DOCUMENTS

D429,269	S	*	8/2000	Renkis	D16/203
D612,882	S	*	3/2010	Kim et al.	D16/202
D636,007	S	*	4/2011	Peng	D16/203
D636,424	S	*	4/2011	Lin	D16/203
D638,457	S	*	5/2011	Oikawa et al.	D16/202
D638,458	S	*	5/2011	Miyamori et al.	D16/202
D641,771	S	*	7/2011	Sasaki et al.	D16/202
D649,573	S	*	11/2011	Al	D16/203
D651,632	S	*	1/2012	Kim et al.	D16/202
D698,841	S	*	2/2014	Lee et al.	D16/202
2010/0208068	A1	*	8/2010	Elsemore	348/143
2013/0038728	A1	*	2/2013	Kim	348/143

* cited by examiner

Primary Examiner — Adir Aronovich

Assistant Examiner — Ramzi Almatrahi

(74) *Attorney, Agent, or Firm* — Hamilton Brook Smith & Reynolds, P.C.

(57) **CLAIM**

The ornamental design for a surveillance camera with integrated mounting feature, as shown and described.

DESCRIPTION

FIG. 1 is a front perspective view of a surveillance camera showing our new design;

FIG. 2 is a rear perspective view thereof;

FIG. 3 is a front elevation view thereof;

FIG. 4 is a rear elevation view thereof;

FIG. 5 is a right side elevation view thereof;

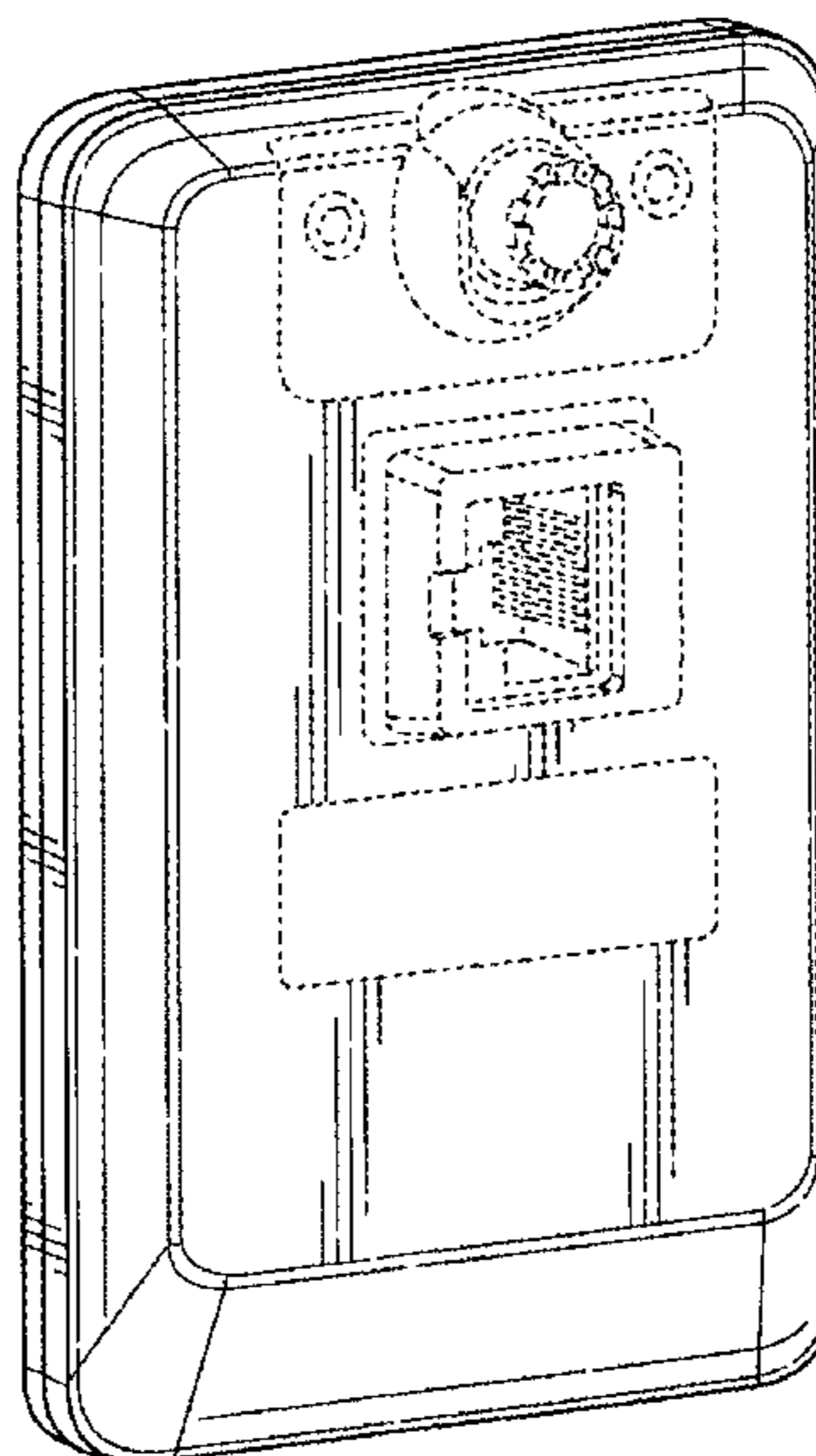
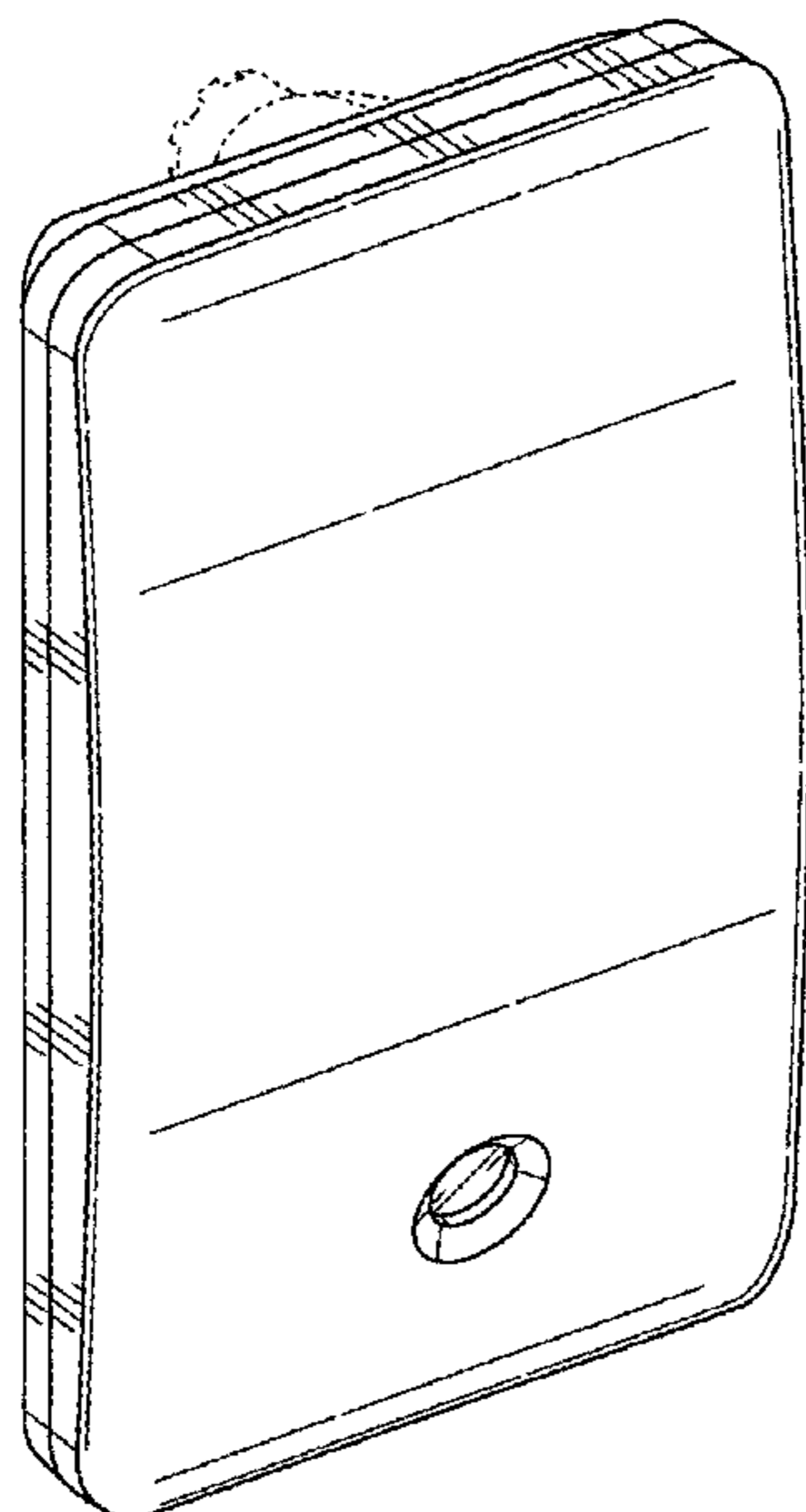
FIG. 6 is a left side elevation view thereof;

FIG. 7 is a top plan view thereof; and,

FIG. 8 is a bottom plan view thereof.

The broken lines depict portions of a surveillance camera in which the design is embodied and form no part of the claimed design.

1 Claim, 7 Drawing Sheets



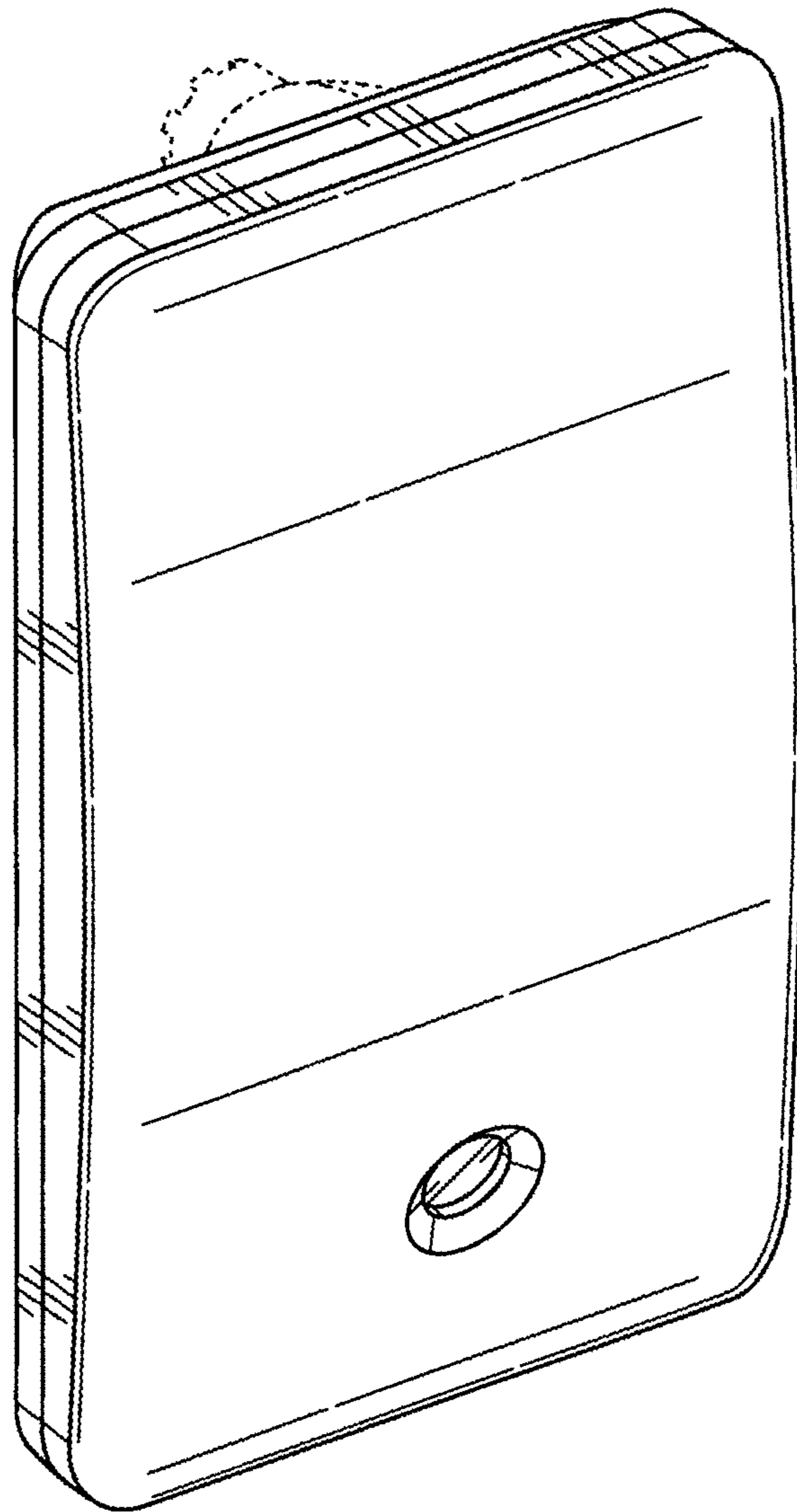


FIG. 1

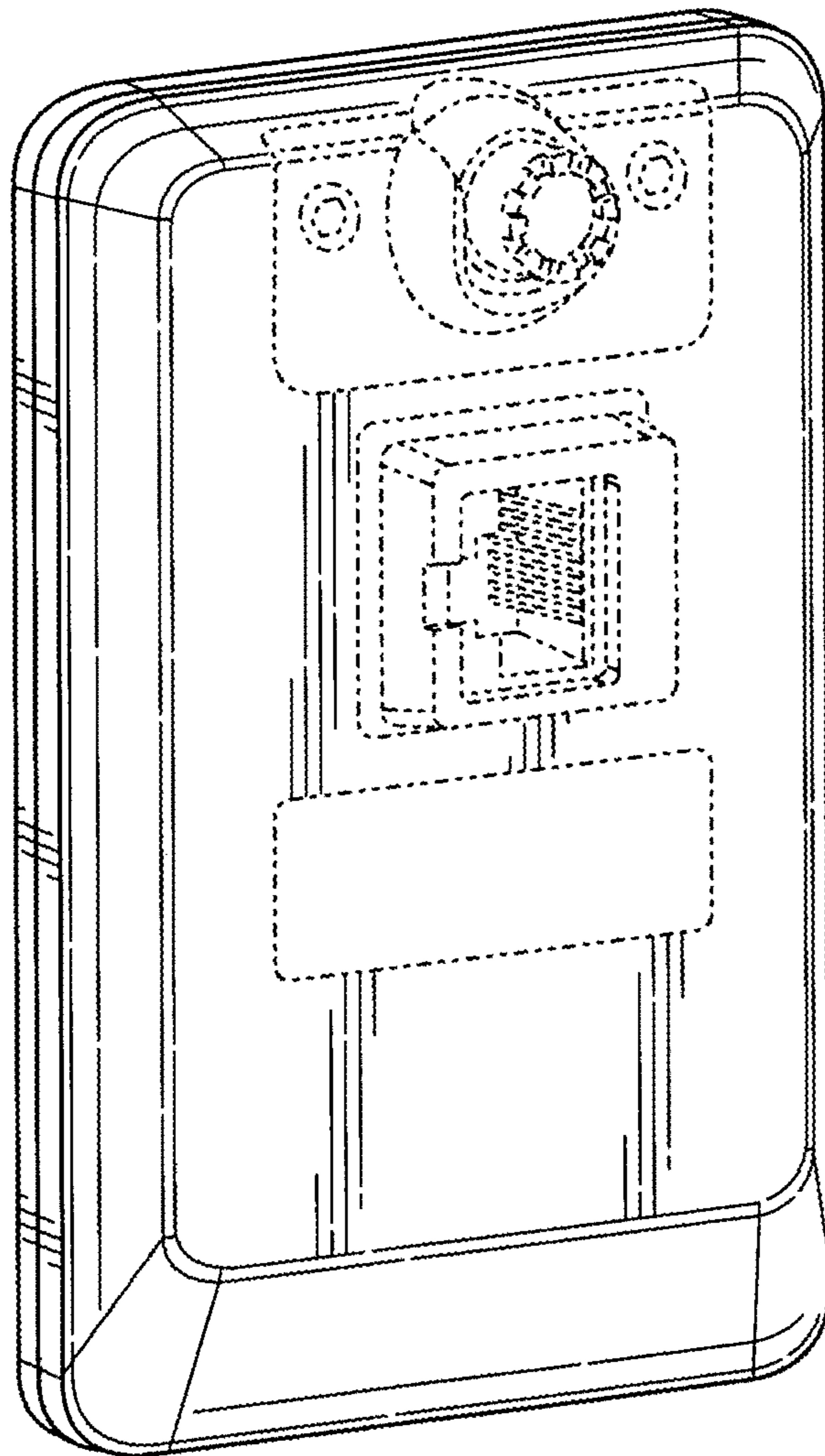


FIG. 2

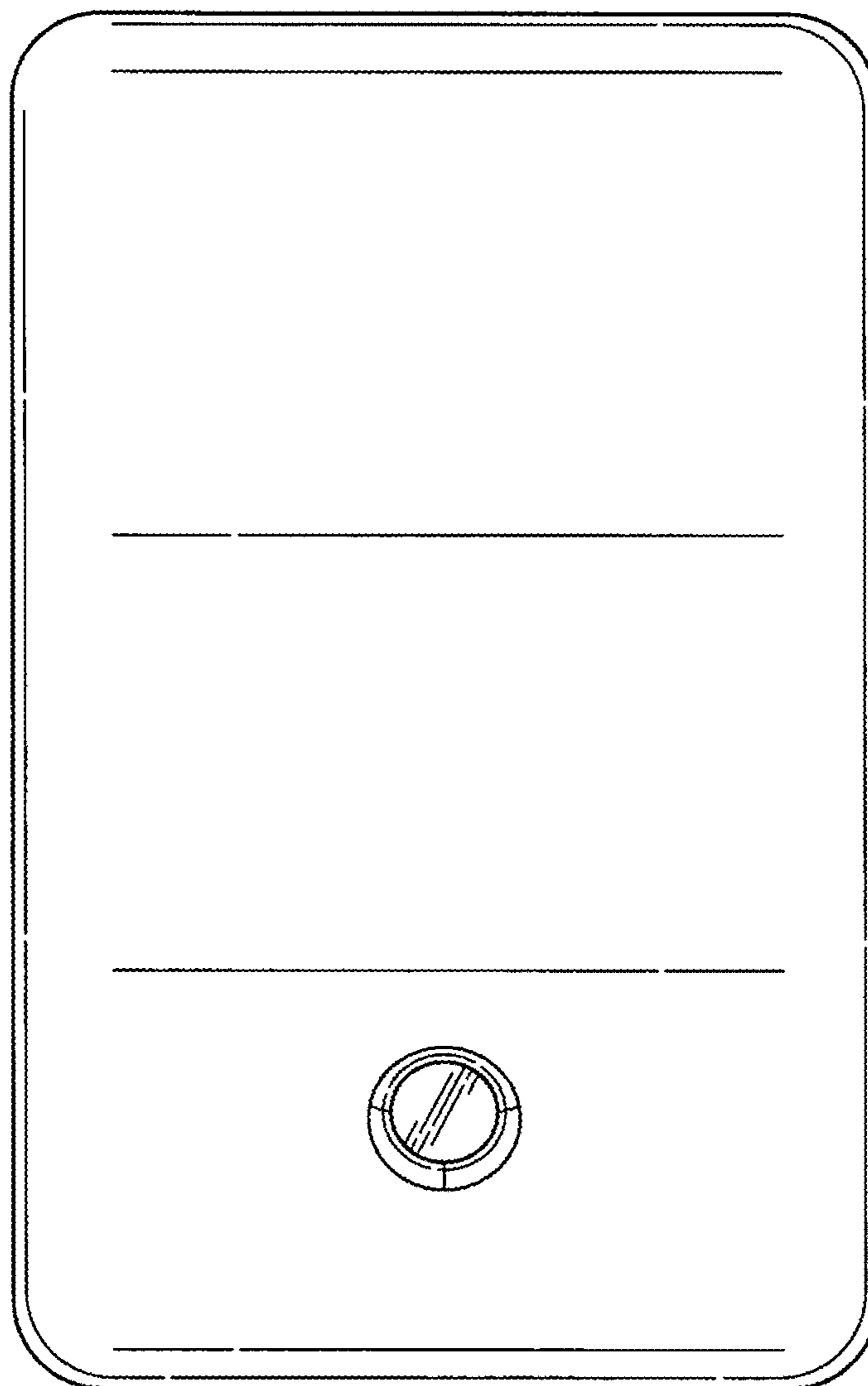


FIG. 3

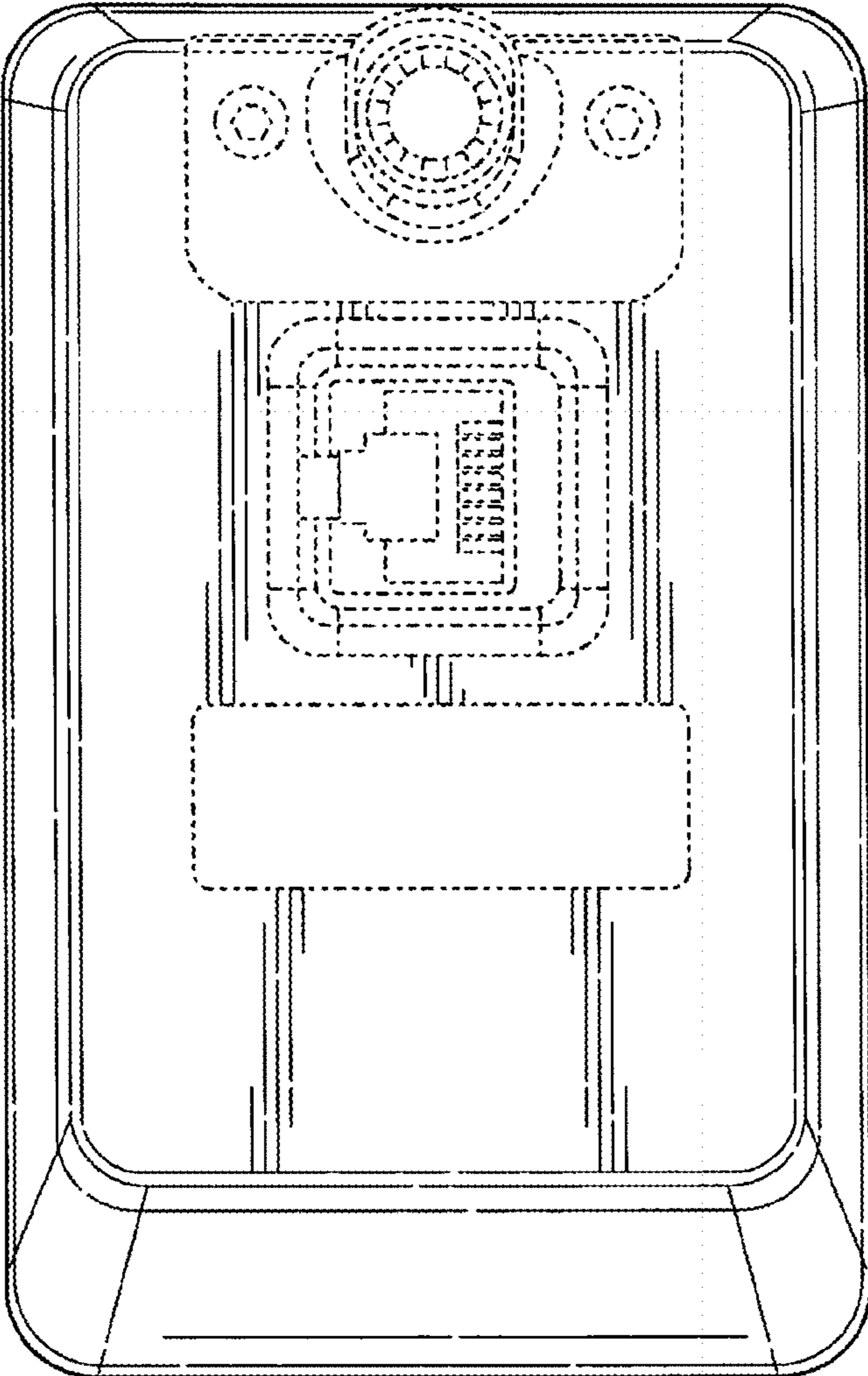


FIG. 4

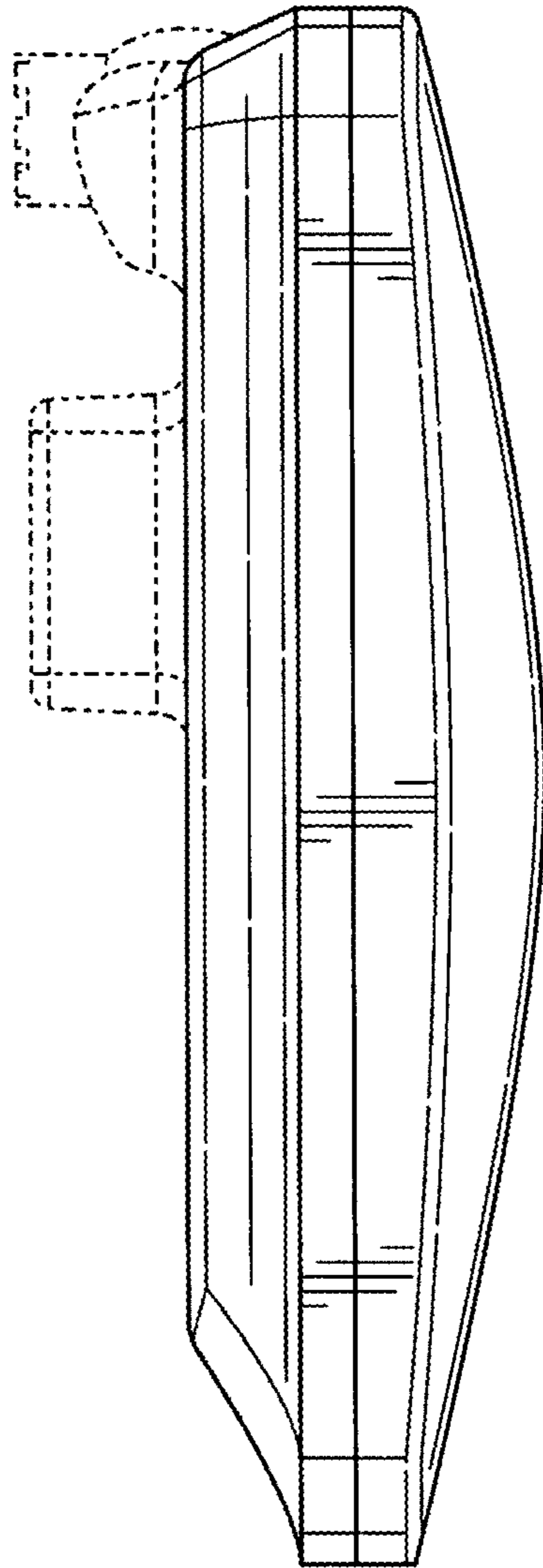


FIG. 5

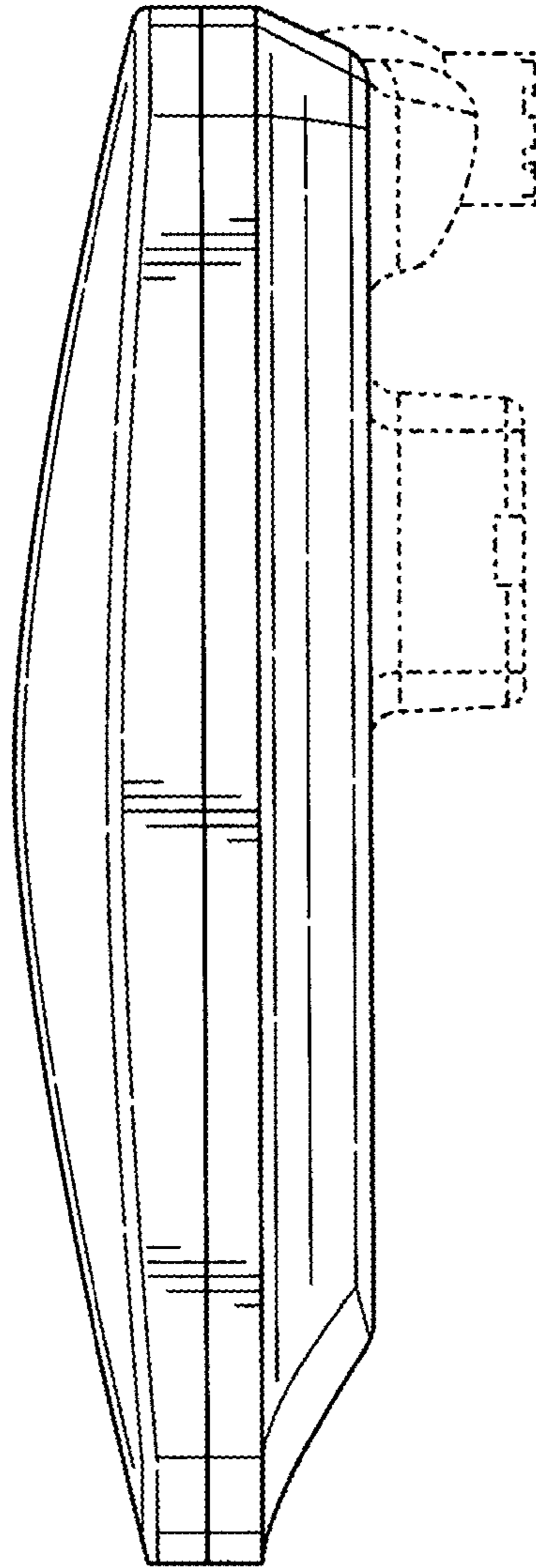


FIG. 6

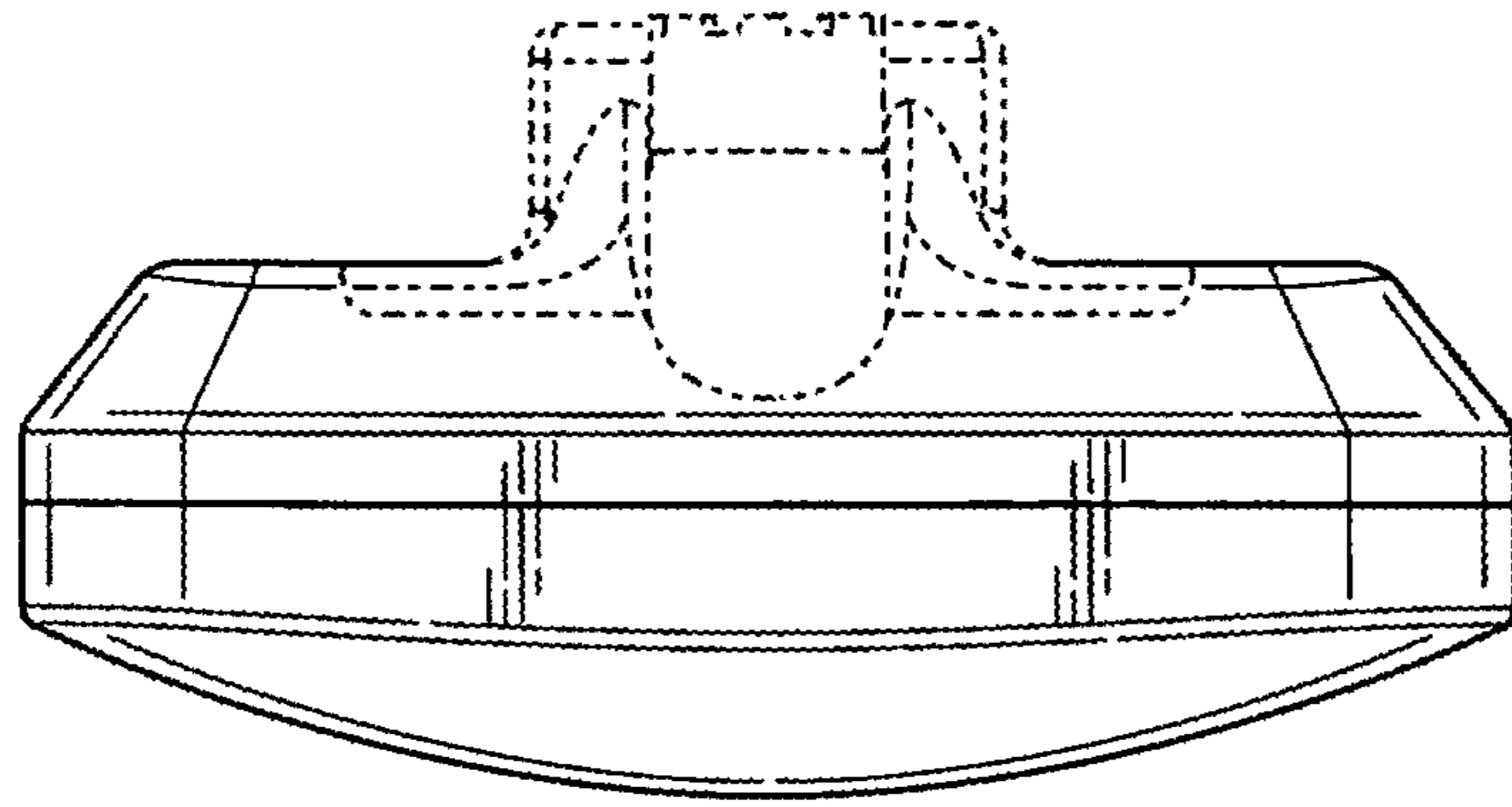


FIG. 7

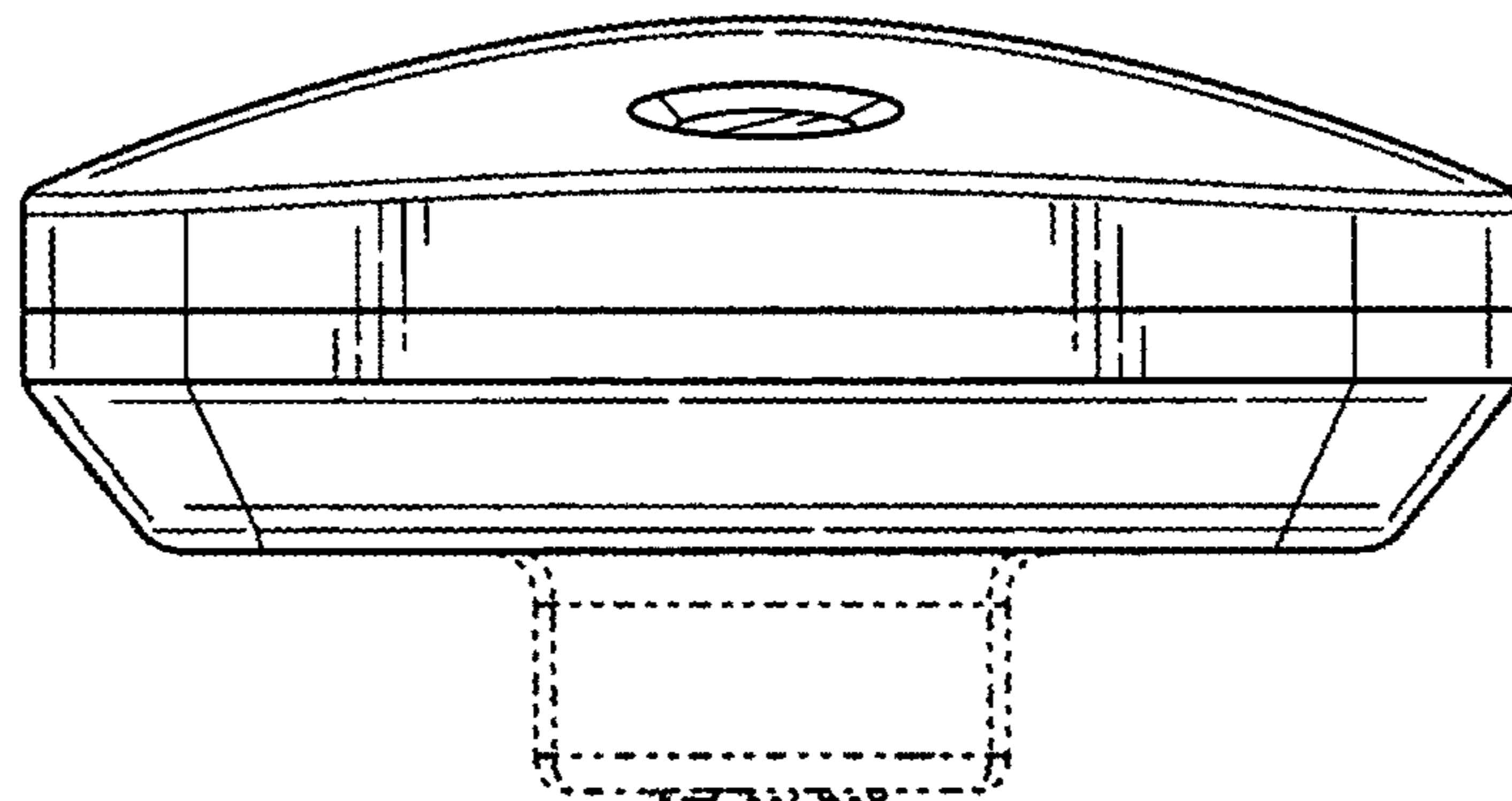


FIG. 8