



US00D755874S

(12) **United States Design Patent**
Yang

(10) **Patent No.:** **US D755,874 S**

(45) **Date of Patent:** **** May 10, 2016**

(54) **DIGITAL CAMERA**

(71) Applicant: **DIGILIFE TECHNOLOGIES CO., LTD.**, Taipei (TW)

(72) Inventor: **Chen-Ping Yang**, Taipei (TW)

(73) Assignee: **DIGILIFE TECHNOLOGIES CO., LTD.**, Taipei (TW)

(**) Term: **14 Years**

(21) Appl. No.: **29/525,552**

(22) Filed: **Apr. 30, 2015**

(51) **LOC (10) Cl.** **16-01**

(52) **U.S. Cl.**
USPC **D16/202**

(58) **Field of Classification Search**
USPC D16/200, 202, 203, 208, 209, 218;
348/373-374; 396/535, 540, 541
CPC G03B 15/00; G03B 15/03; G03B 15/05;
G03B 15/06; G03B 17/02; G03B 17/04;
H04N 5/2251; H04N 5/2252; H04N 5/2253;
H04N 5/2254

See application file for complete search history.

(56) **References Cited**

U.S. PATENT DOCUMENTS

D418,854 S *	1/2000	Hayashi	D16/209
D494,612 S *	8/2004	Yang	D16/218
D533,574 S *	12/2006	Hamamura	D16/202
D533,576 S *	12/2006	Martres	D16/202
D555,689 S *	11/2007	Yoo	D16/202
D560,237 S *	1/2008	Yoshida	D16/202
D566,741 S *	4/2008	Matsuda	D16/202
2005/0012852 A1 *	1/2005	Gann	G03B 15/05 348/373

* cited by examiner

Primary Examiner — Adir Aronovich

(74) *Attorney, Agent, or Firm* — WPAT, P.C., Intellectual Property Attorneys; Anthony King

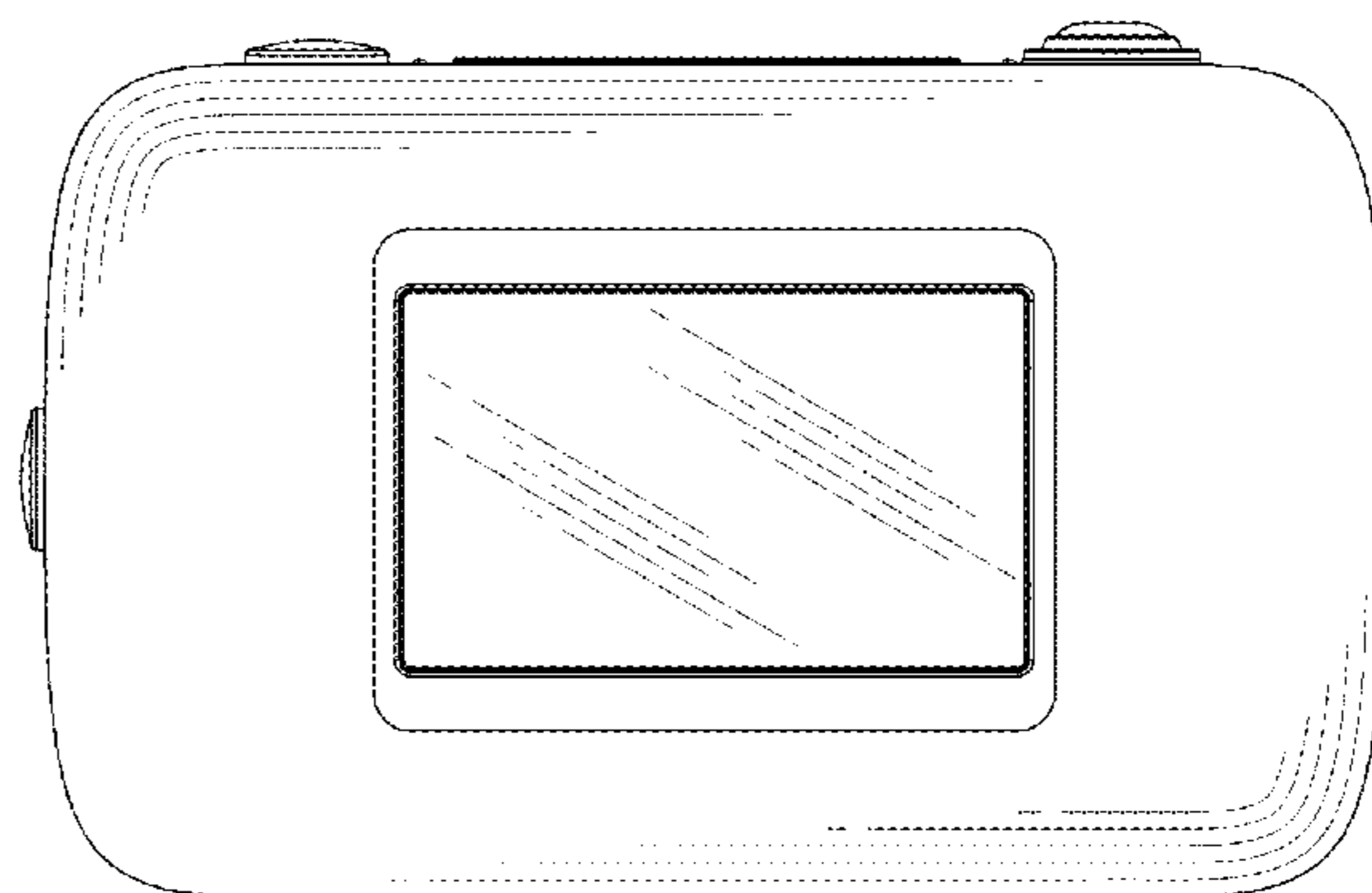
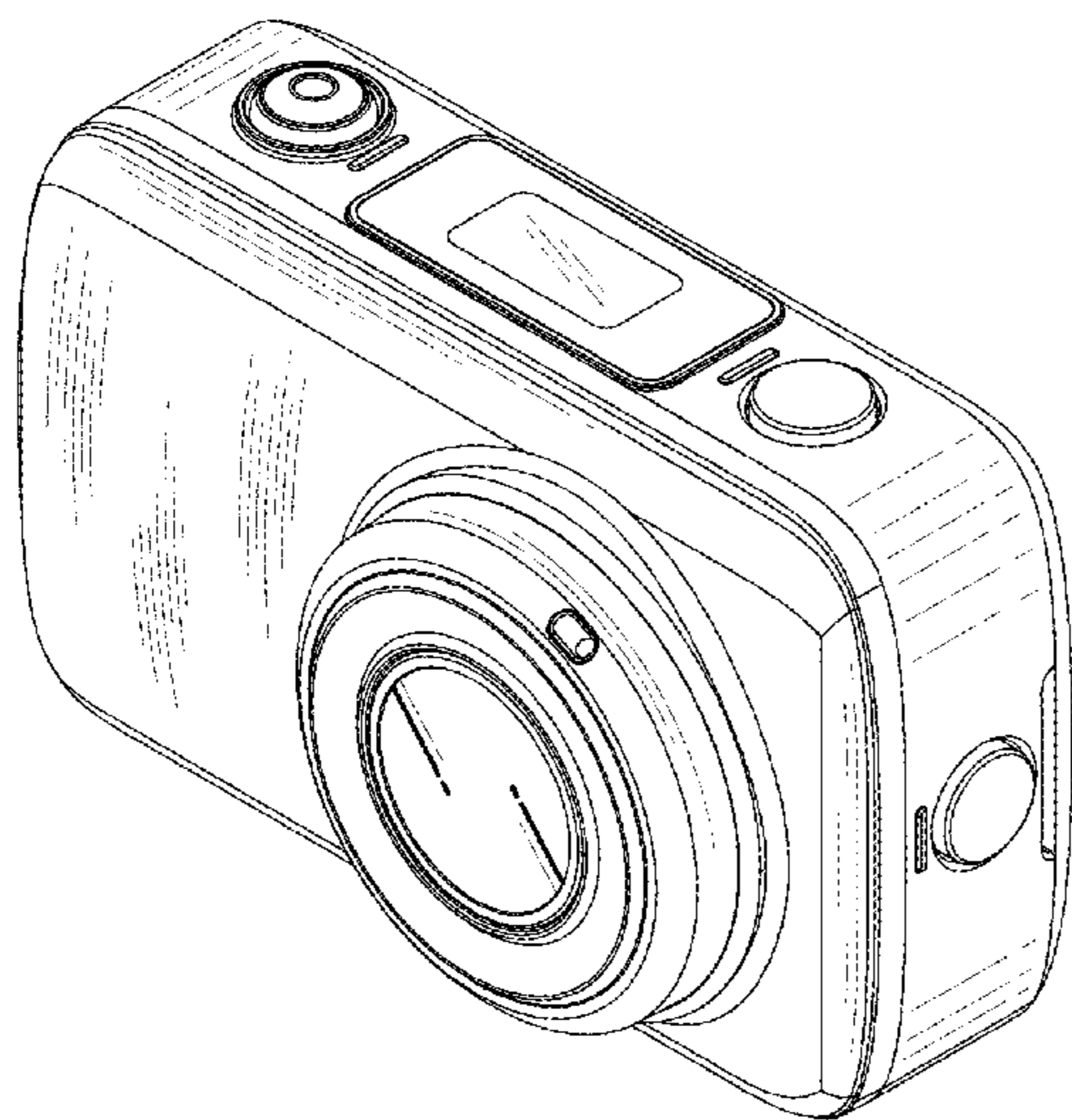
(57) **CLAIM**

The ornamental design for a digital camera, as shown and described.

DESCRIPTION

FIG. 1 is a top, front and right side perspective view of a digital camera showing my new design; FIG. 2 is a front elevation view thereof; FIG. 3 is a rear elevation view thereof; FIG. 4 is a left side elevation view thereof; FIG. 5 is a right side elevation view thereof; FIG. 6 is a top plan view thereof; and, FIG. 7 is a bottom plan view thereof.

1 Claim, 4 Drawing Sheets



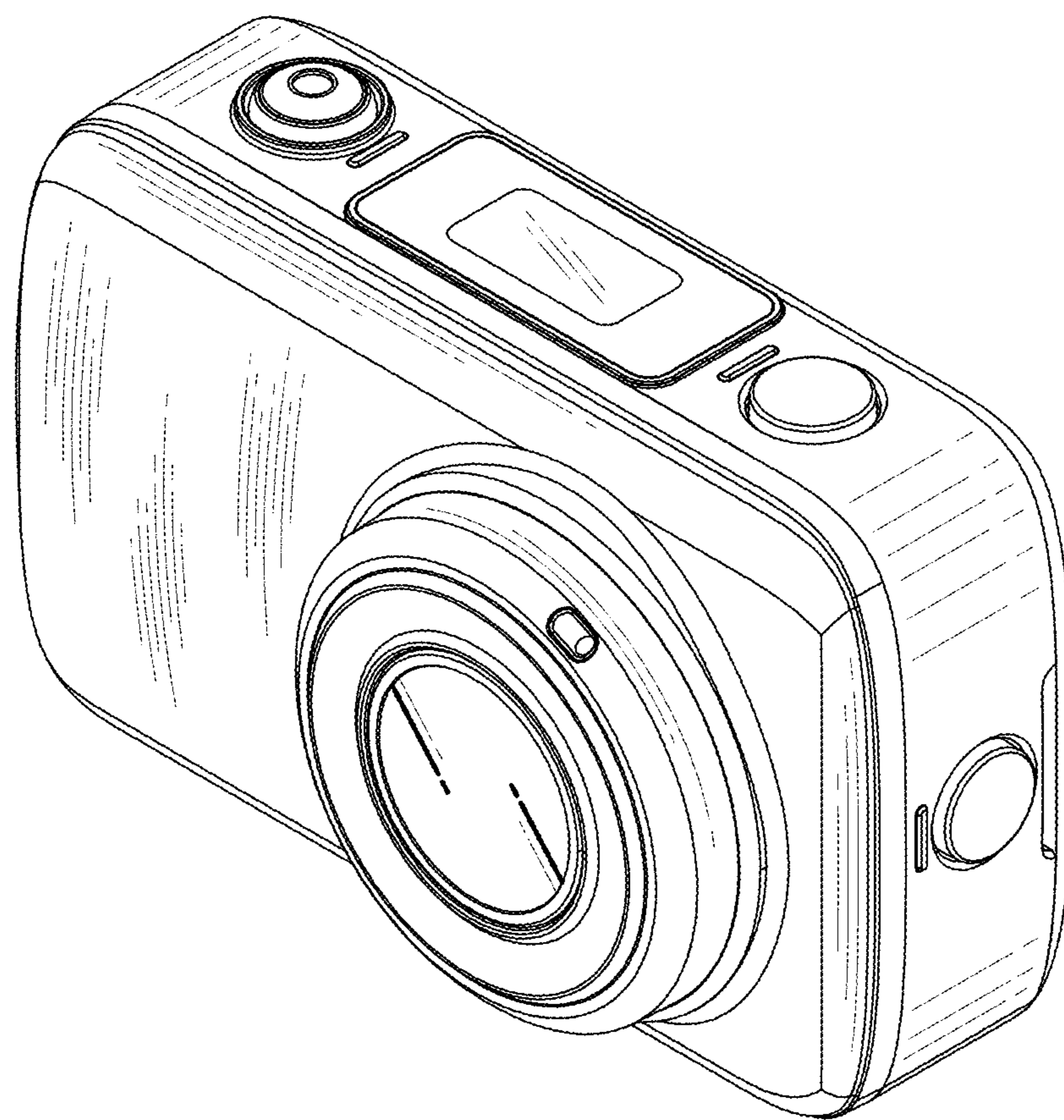


FIG. 1

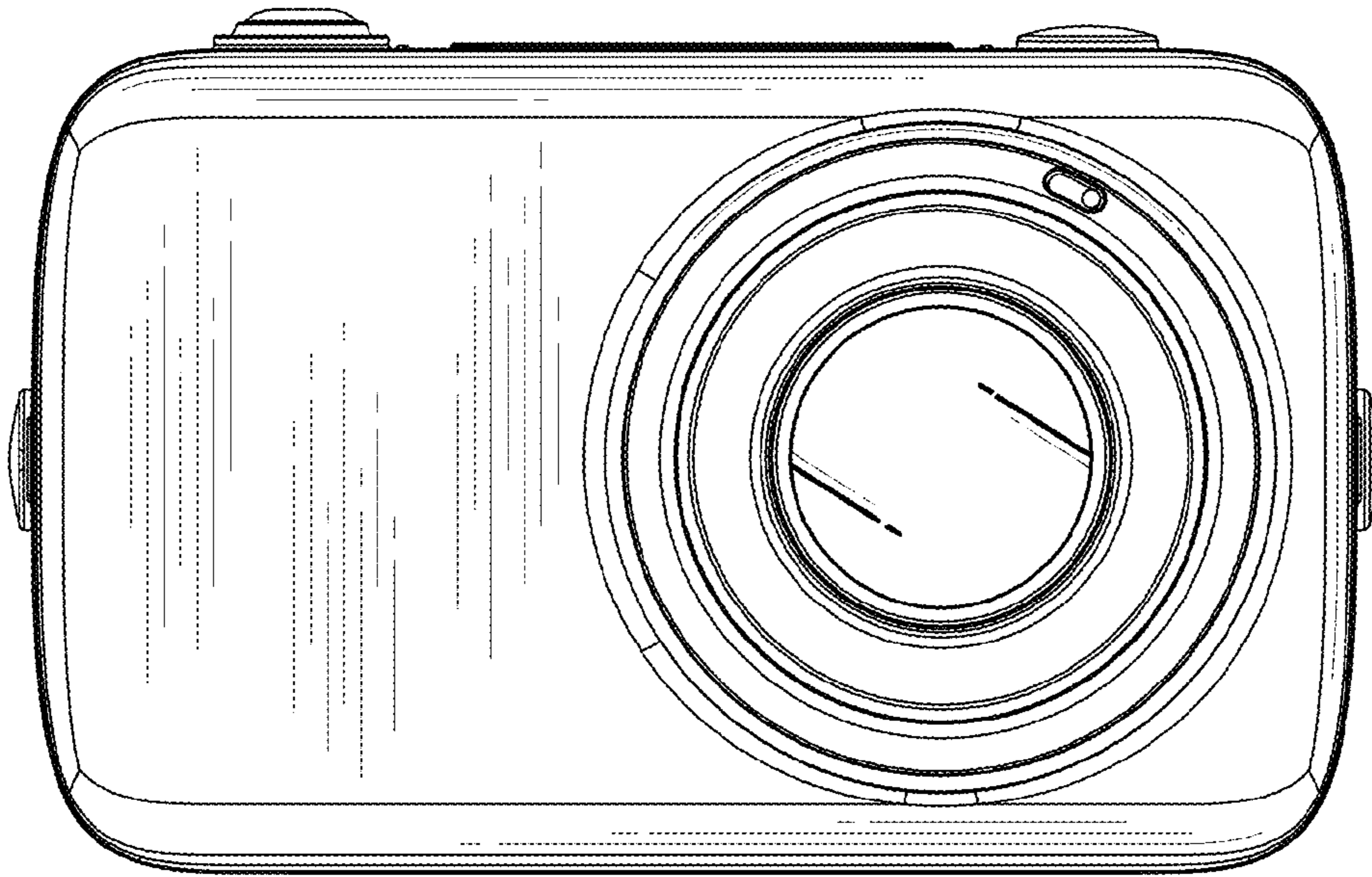


FIG. 2

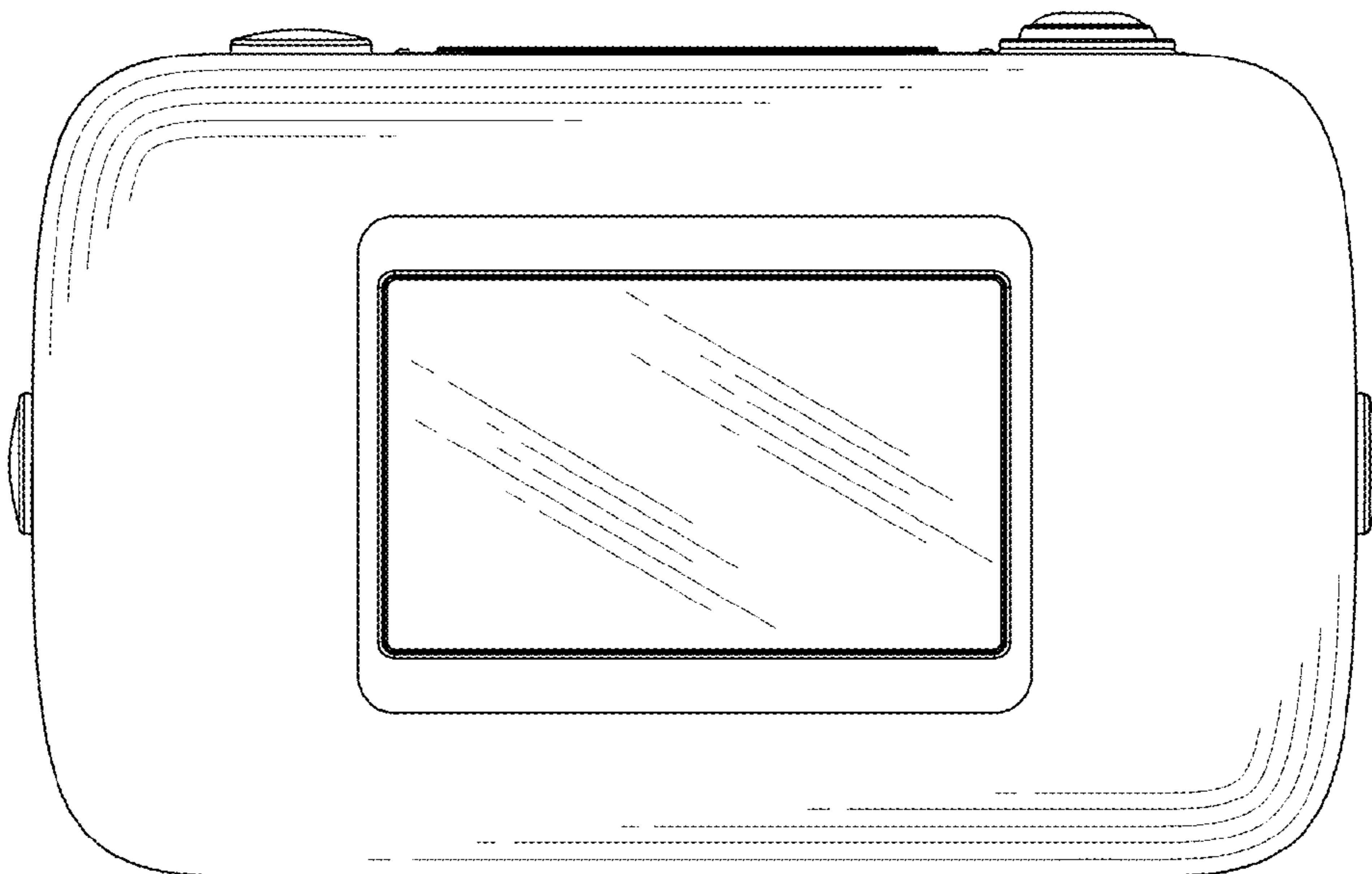


FIG. 3

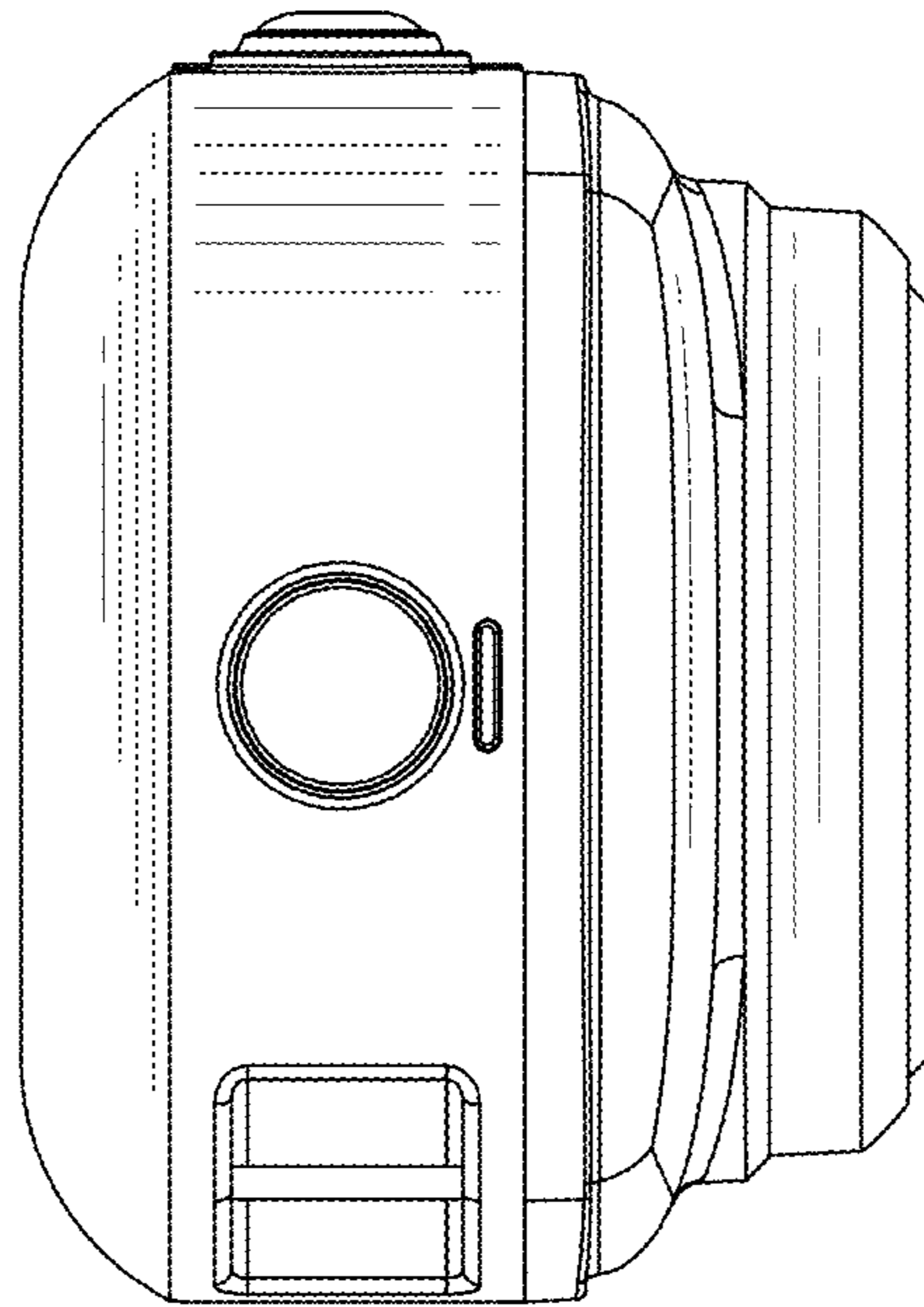


FIG. 4

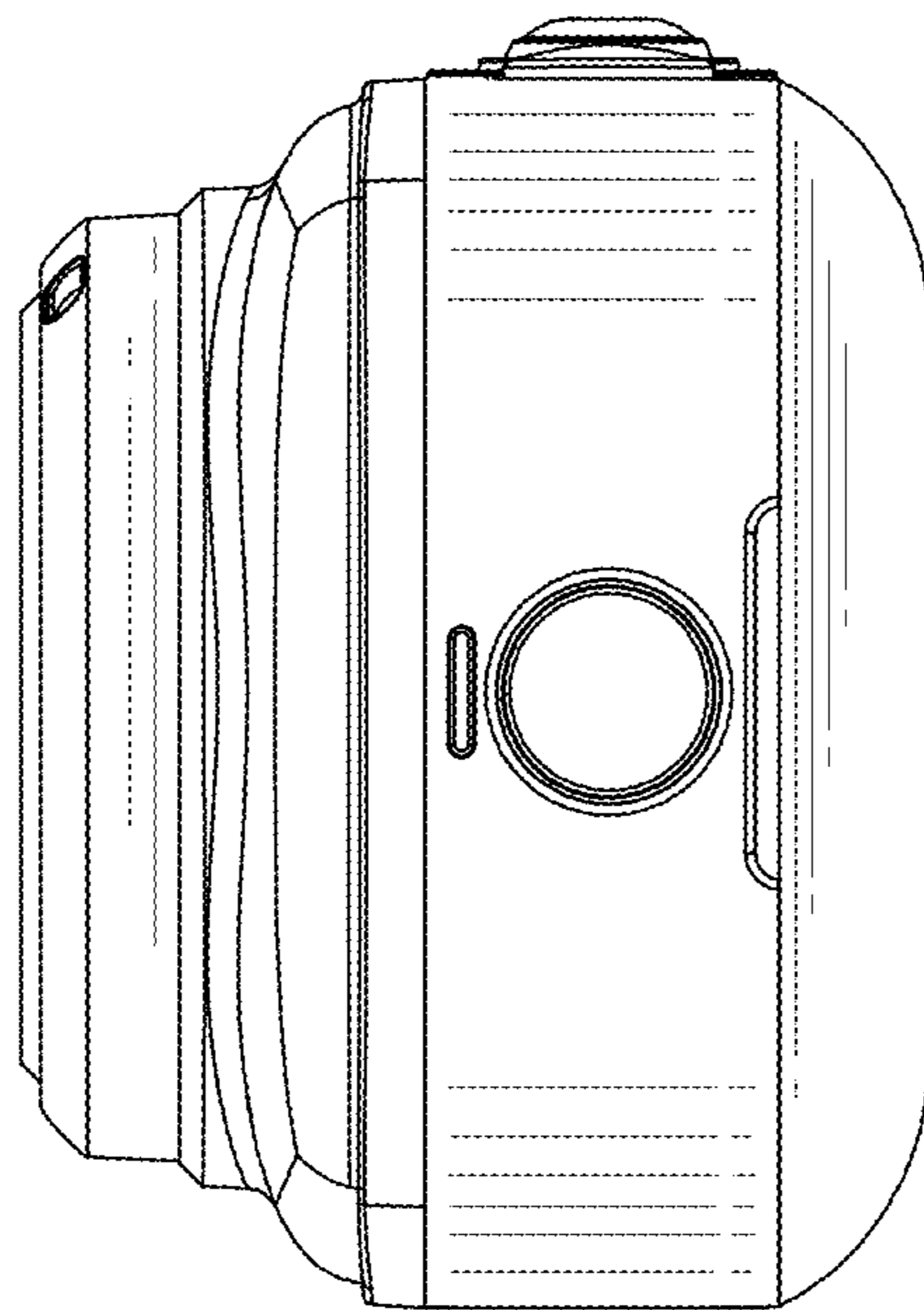


FIG. 5

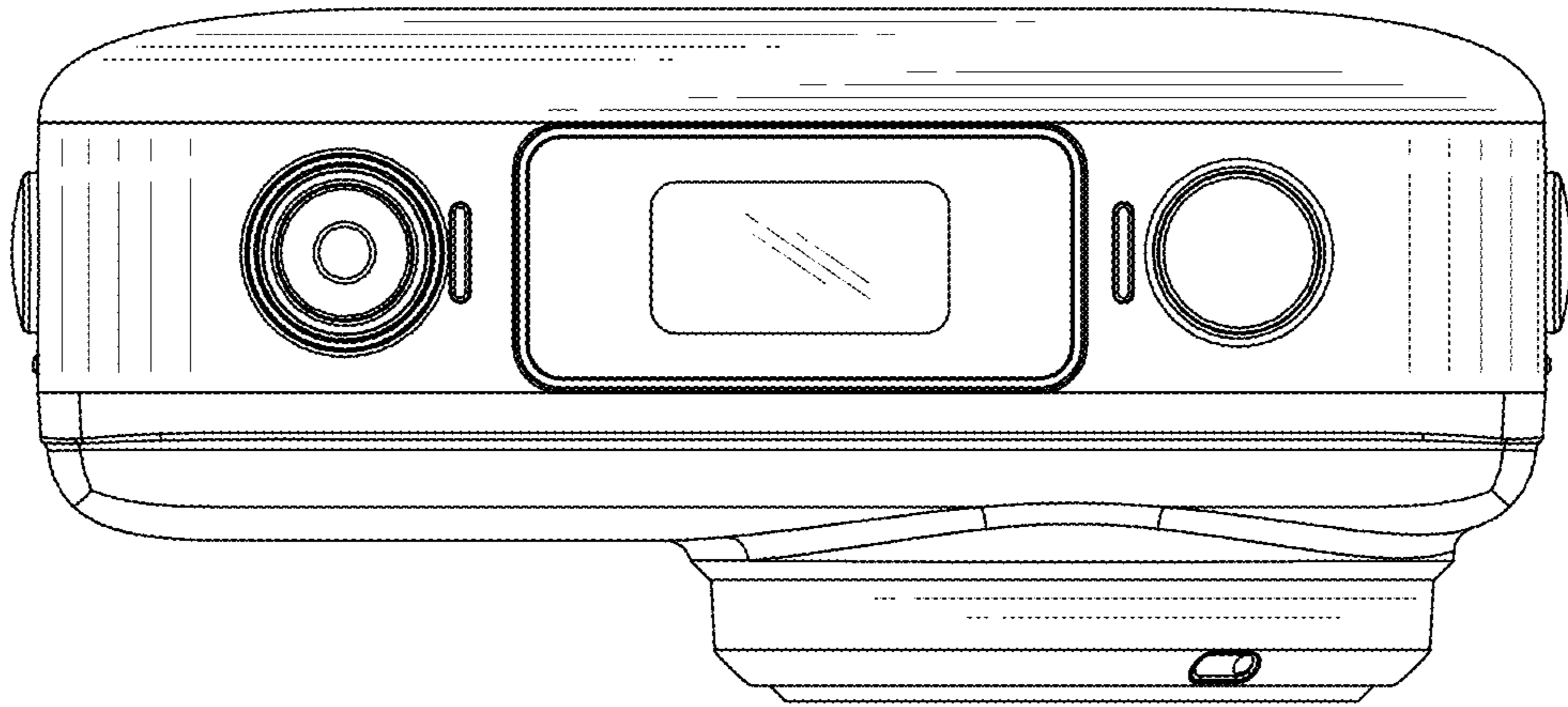


FIG. 6

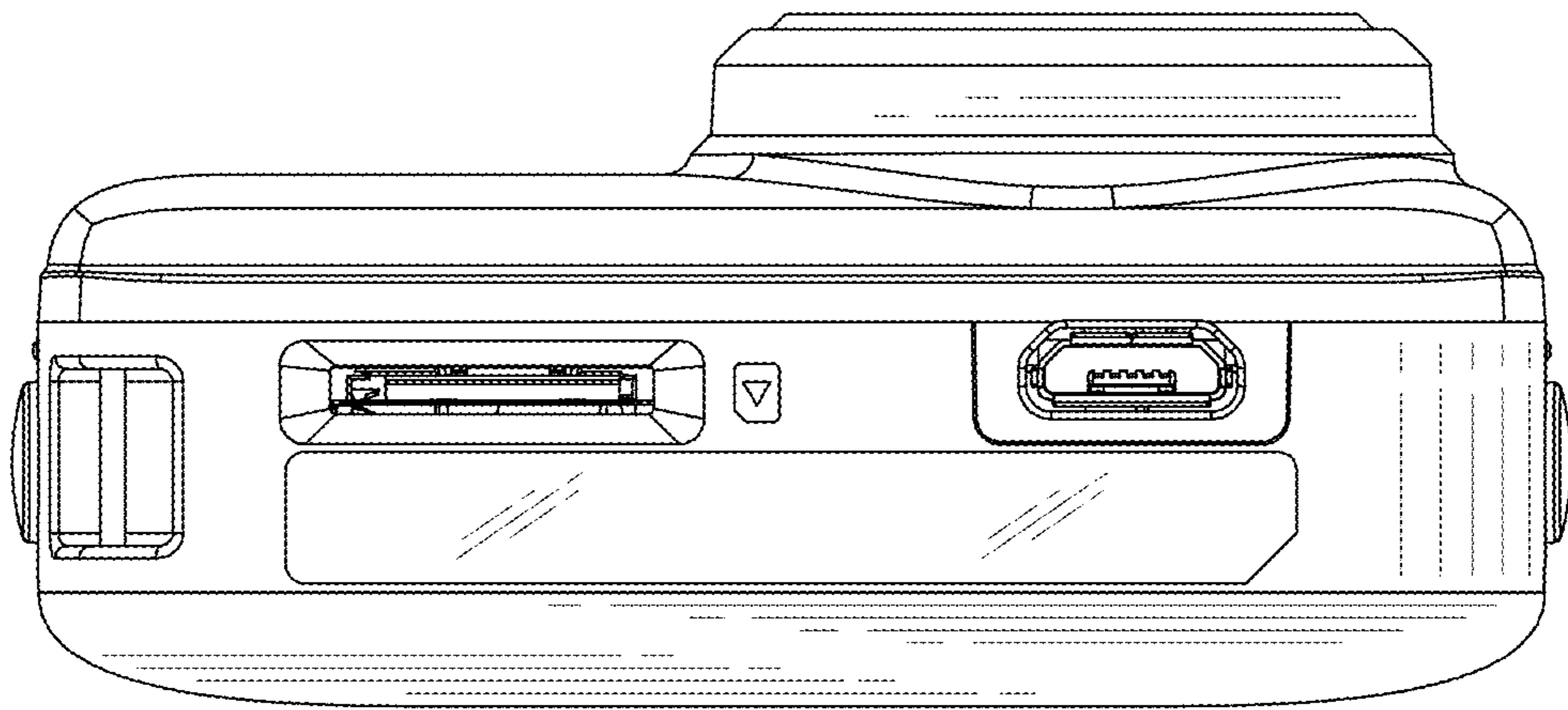


FIG. 7