



US00D755873S

(12) **United States Design Patent**
Odashima et al.

(10) **Patent No.:** **US D755,873 S**
(45) **Date of Patent:** **** May 10, 2016**

(54) **DIGITAL CAMERA**

FOREIGN PATENT DOCUMENTS

(71) Applicant: **Nikon Corporation**, Tokyo (JP)

JP 1496329 S 5/2014

(72) Inventors: **Toshiko Odashima**, Yokohama (JP);
Kenichi Soejima, Yokohama (JP)

OTHER PUBLICATIONS

(73) Assignee: **Nikon Corporation**, Tokyo (JP)

Website, <http://www.casio-intl.com/asia-mea/en/news/2013/ex-10/>,
Casio Releases Flagship Exilim Camera Designed to Enhance the
User's Photographic Expressivity, Casio Computer Co., Ltd. Dec. 3,
2014, pp. 1-4.

(**) Term: **14 Years**

(Continued)

(21) Appl. No.: **29/518,711**

Primary Examiner — Adir Aronovich

(22) Filed: **Feb. 26, 2015**

(74) *Attorney, Agent, or Firm* — Wolf, Greenfield & Sacks,
P.C.

(30) **Foreign Application Priority Data**

Aug. 29, 2014 (JP) 2014-019037

(51) **LOC (10) Cl.** **16-01**

(52) **U.S. Cl.**

USPC **D16/202**

(58) **Field of Classification Search**

USPC D16/200, 202, 204, 206, 208, 218;
348/373-376; 396/535, 536, 540

CPC ... G03B 17/00; H04N 5/2251; H04N 5/2252;
H04N 5/2253

See application file for complete search history.

(56) **References Cited**

U.S. PATENT DOCUMENTS

5,754,227 A * 5/1998 Fukuoka H04N 1/2112
348/373

D489,385 S * 5/2004 Lin D16/202

D521,042 S * 5/2006 Inaba D16/218

D529,062 S * 9/2006 Matsuda D16/202

D529,257 S * 10/2006 Tanio D16/202

D531,199 S * 10/2006 Matsuda D16/202

D552,646 S * 10/2007 Bai D16/202

D734,378 S * 7/2015 Tainaka D16/202

(57) **CLAIM**

The ornamental design for a digital camera, as shown and
described.

DESCRIPTION

FIG. 1 is a front, top and right side perspective view of a
digital camera showing our new design;

FIG. 2 is a rear, top and left side perspective view thereof;

FIG. 3 is a front elevational view thereof;

FIG. 4 is a rear elevational view thereof;

FIG. 5 is a top plan view thereof;

FIG. 6 is a bottom plan view thereof;

FIG. 7 is a right side elevational view thereof;

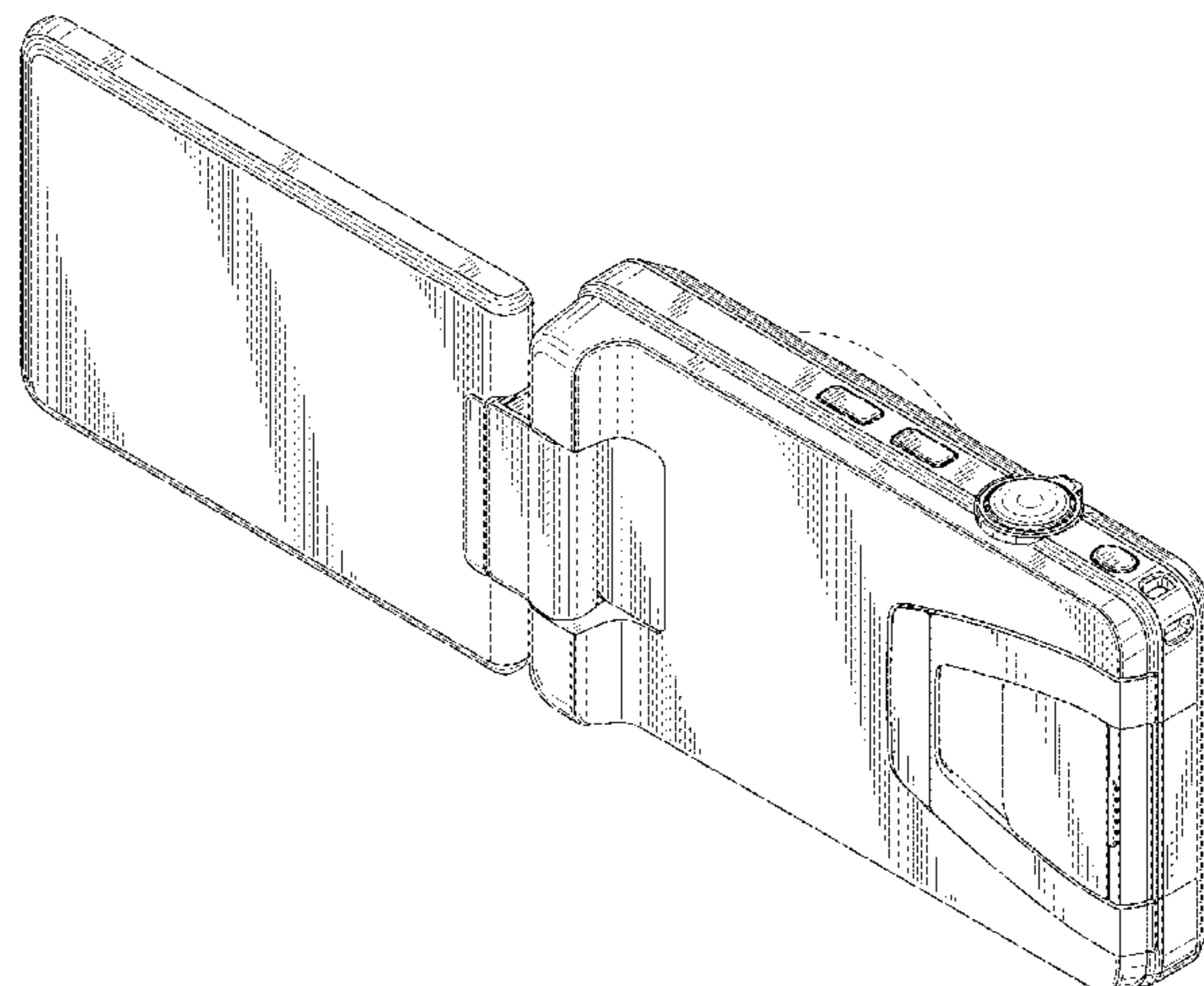
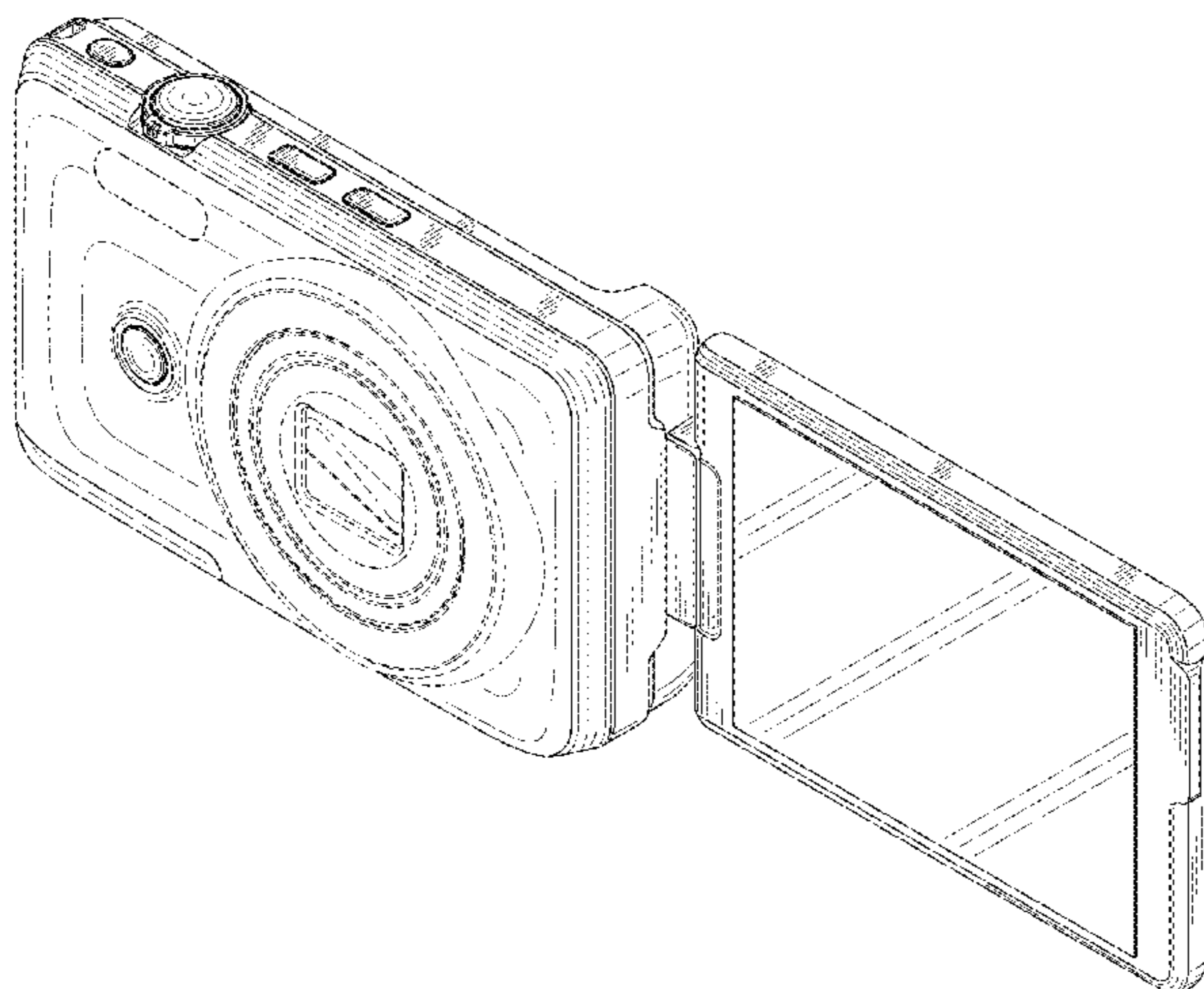
FIG. 8 is a left side elevational view thereof;

FIG. 9 is a front perspective view thereof showing the stand in
an open position; and,

FIG. 10 is a rear perspective view thereof showing the stand in
an open position.

The features shown in broken lines in the drawings depict
environmental subject matter only and form no part of the
claimed design. The dash-dotted lines denote the boundary of
the claim and form no part of the claimed design.

1 Claim, 10 Drawing Sheets



(56)

References Cited

OTHER PUBLICATIONS

Website, http://www.casio-intl.com/asia-mea/en/dc/ex_10/,
EX-10—Premium Highspeed—Digital Cameras—Casio, Casio
Computer Co., Ltd., date last accessed Feb. 26, 2015, pp. 1-6.

Website, <http://www.casio-intl.com/asia-mea/en/news/2014/ex-100/>,
Casio to Enhance High-speed Exilim Digital Camera Line
Featuring Dual Combination Bracketing Function, Casio Computer
Co., Ltd., Mar. 24, 2014, pp. 1-4.

Website, http://www.casio-intl.com/asia-mea/en/dc/ex_100/,
EX-100—Premium High Speed—Digital Camera—Casio, Casio
Computer Co., Ltd., date last accessed Feb. 26, 2015, pp. 1-6.

* cited by examiner

FIG. 1

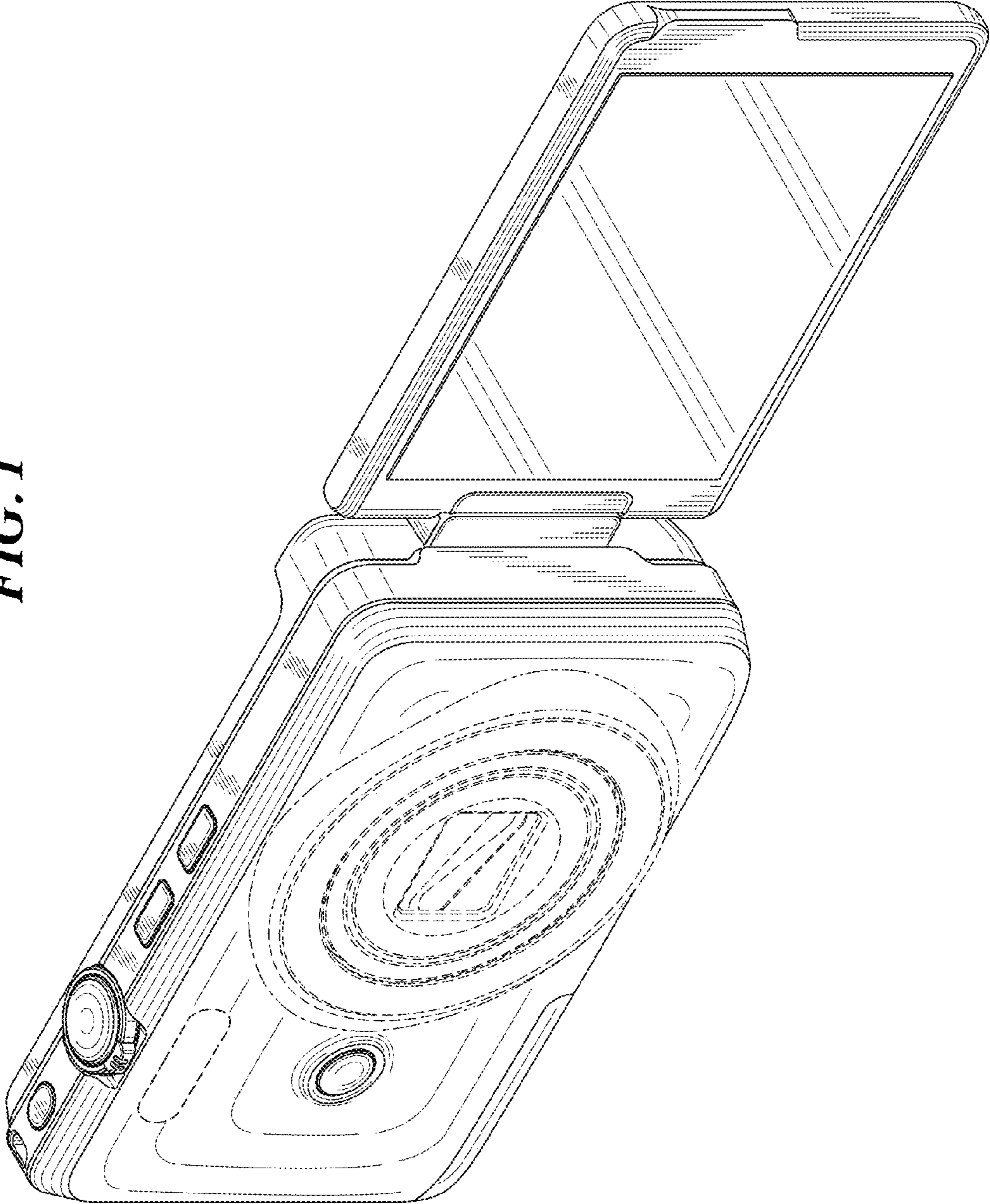


FIG. 2

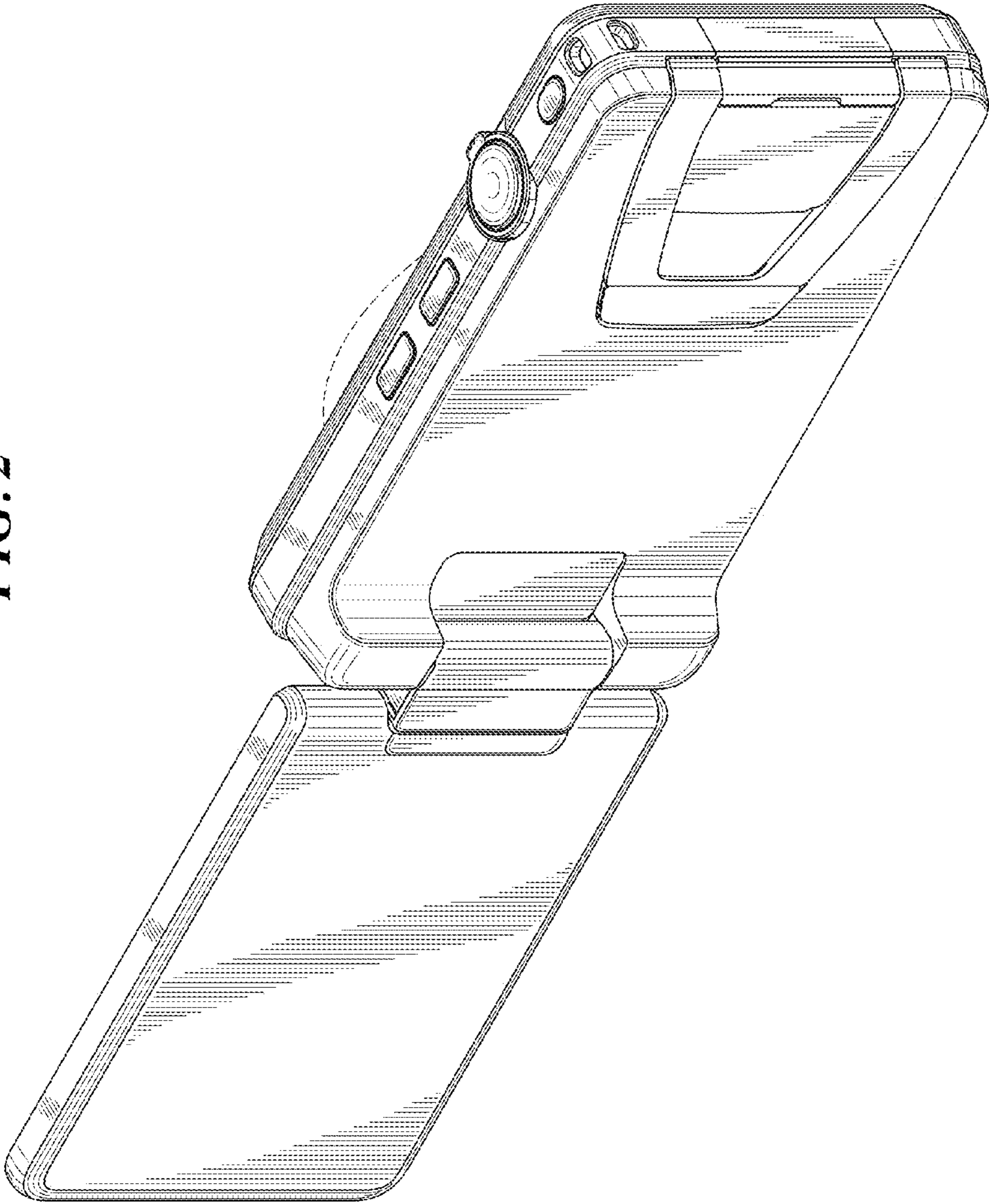


FIG. 3

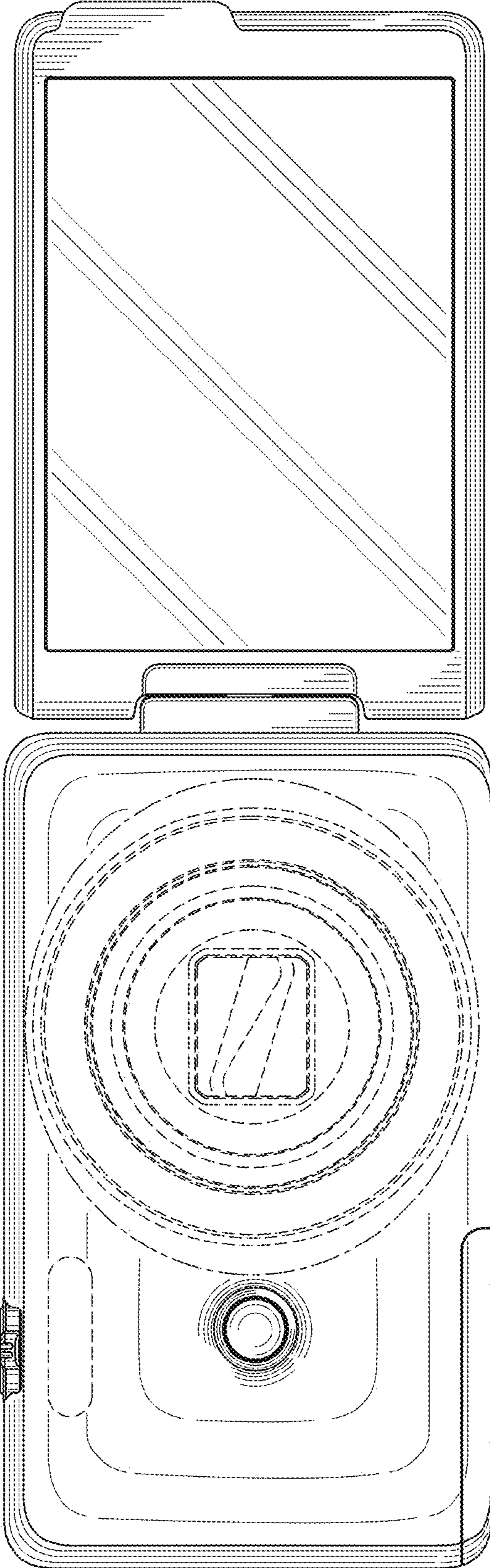


FIG. 4

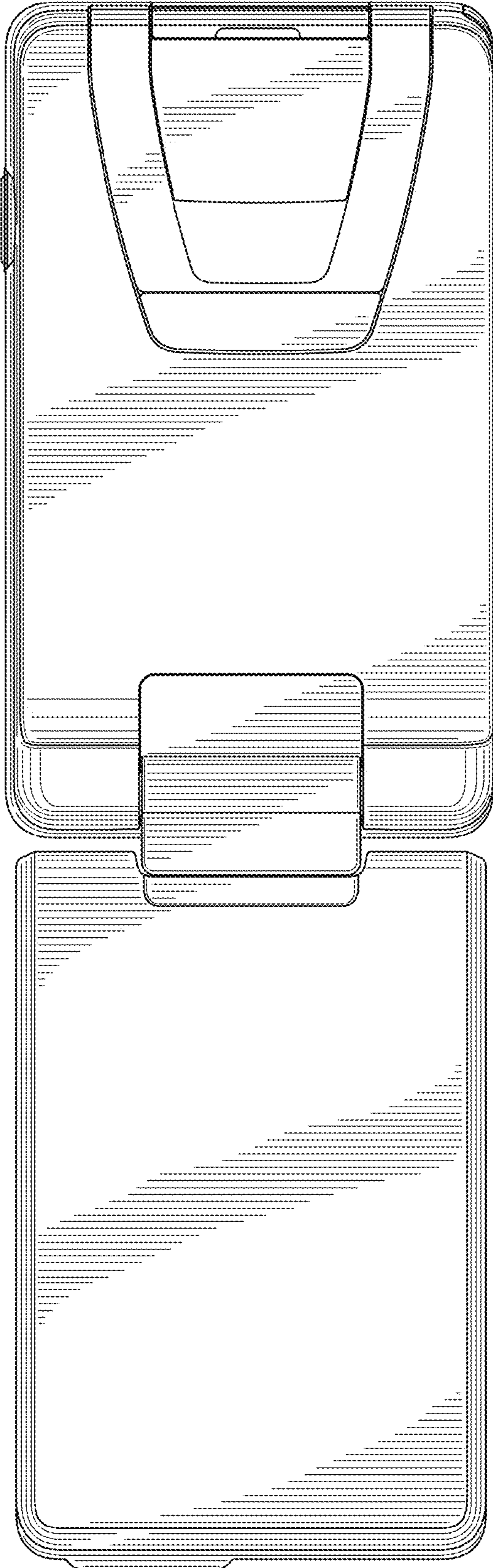


FIG. 5

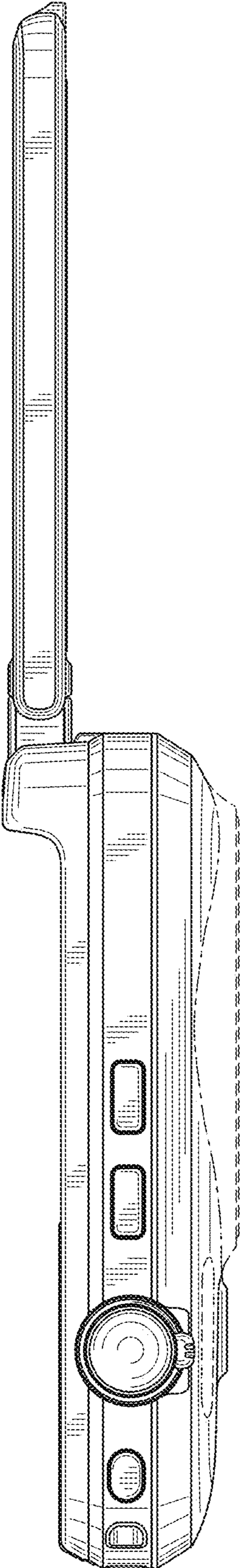


FIG. 6

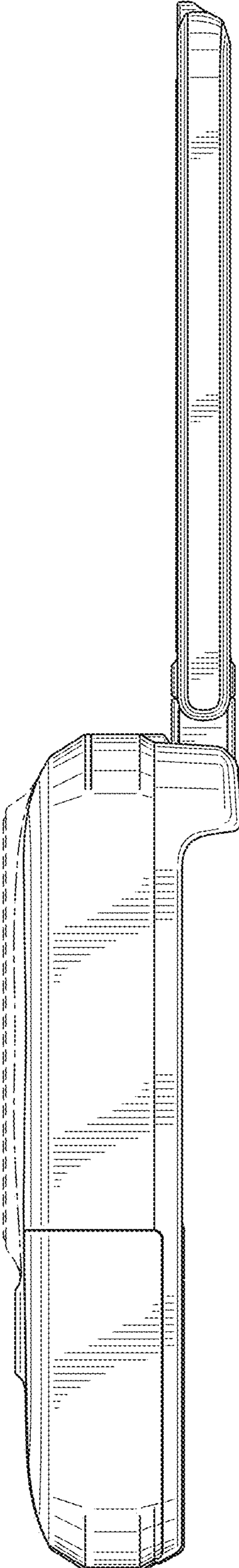


FIG. 7

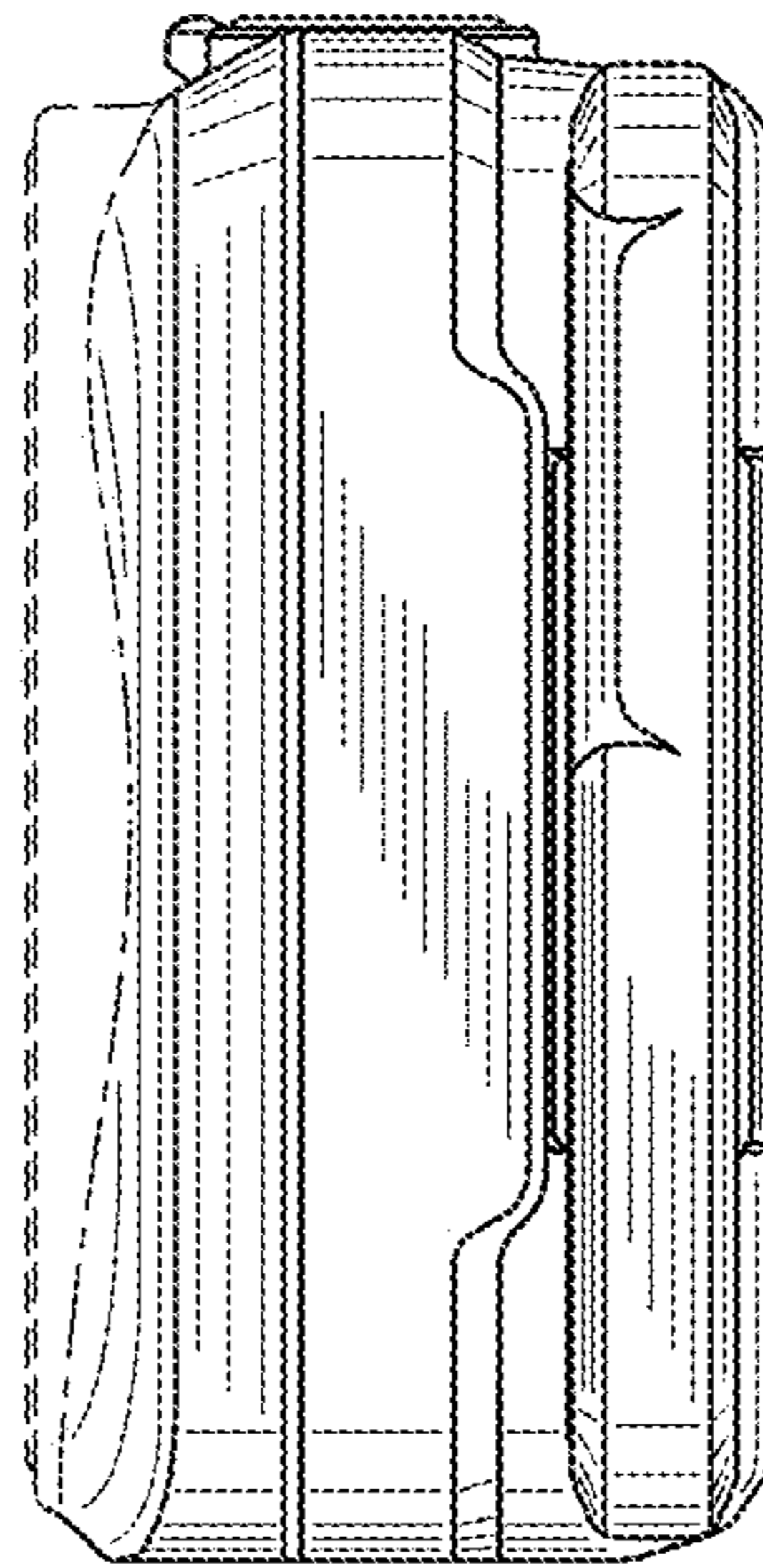
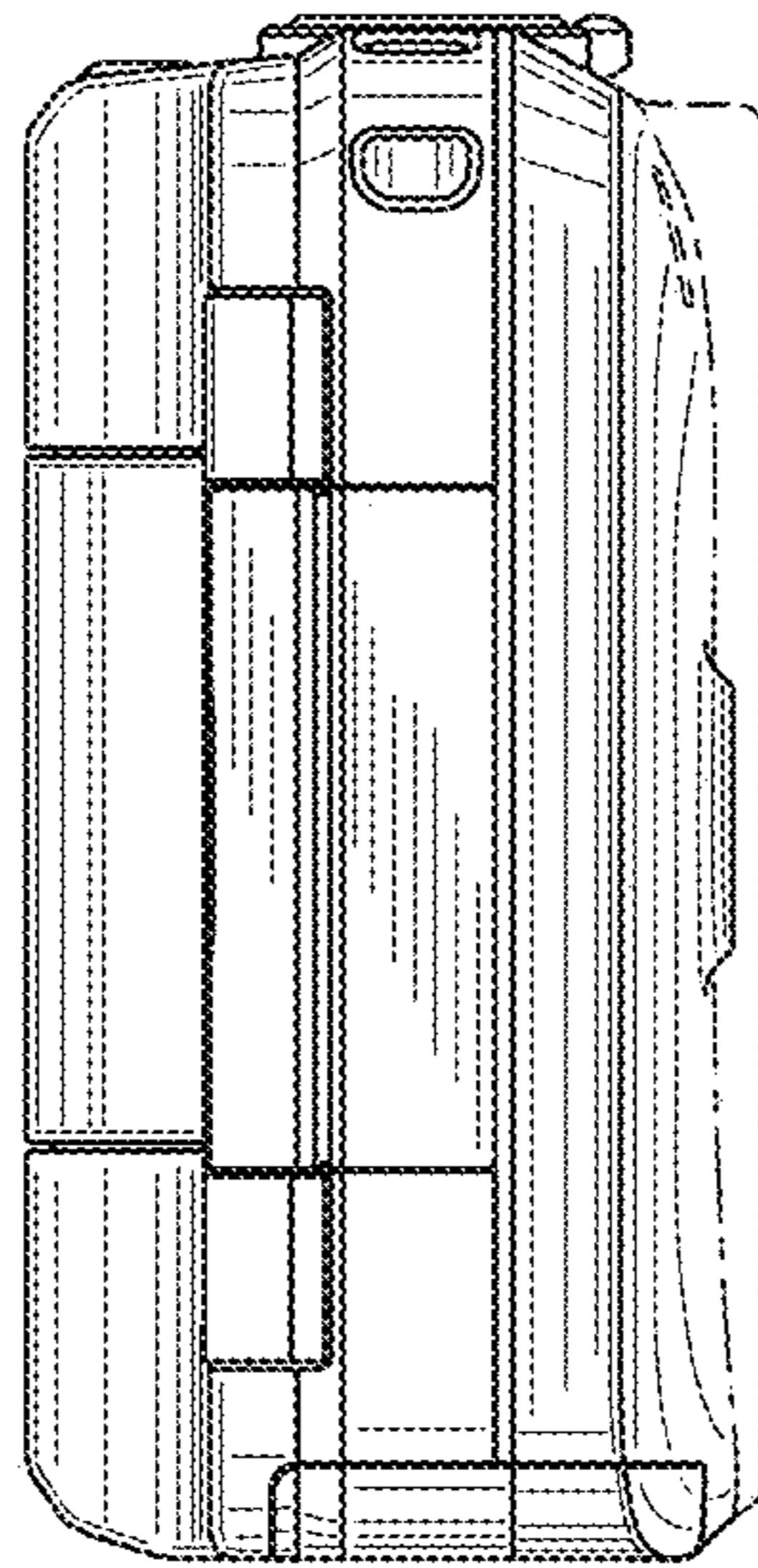


FIG. 8



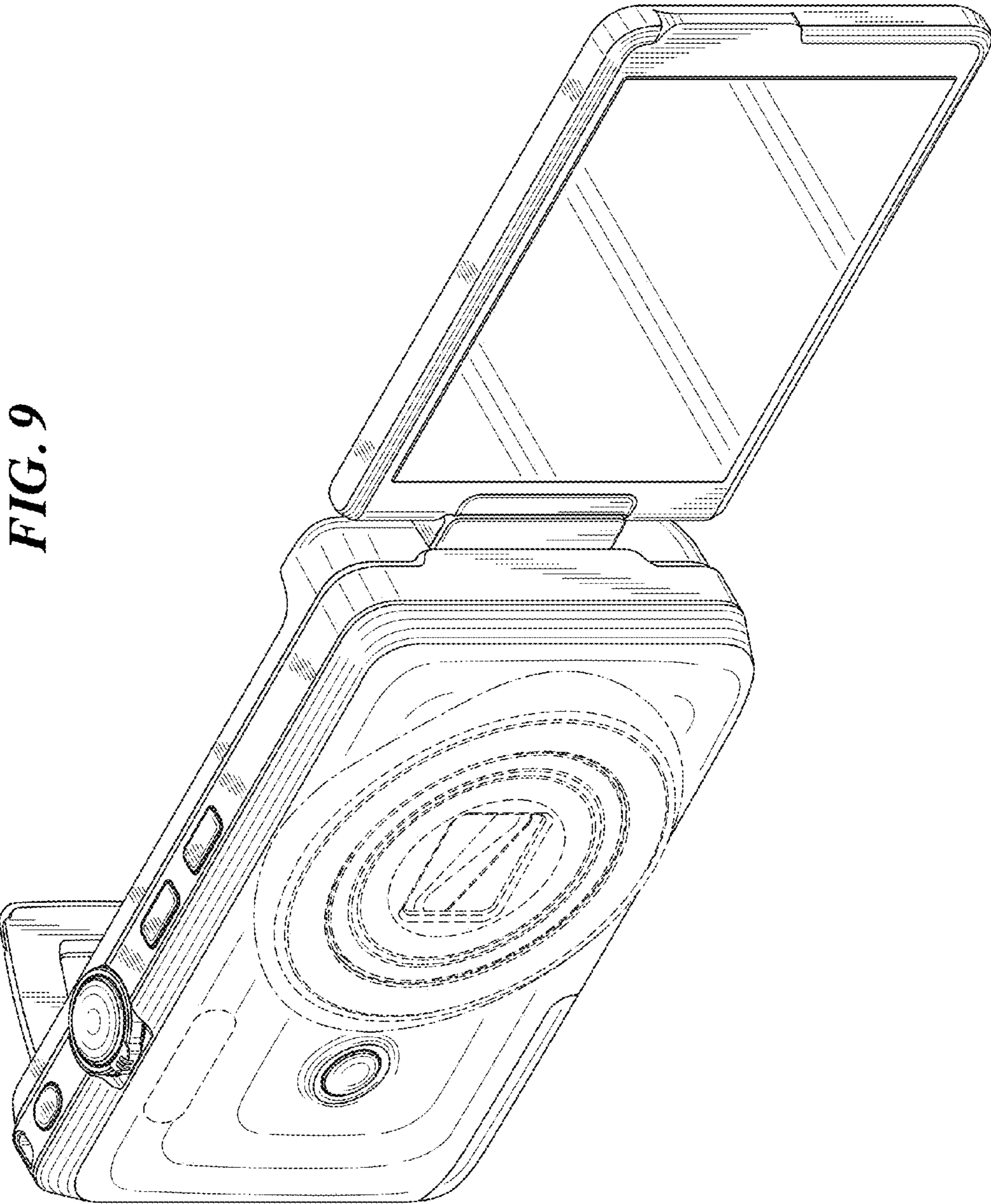


FIG. 9

FIG. 10

