



US00D755867S

(12) **United States Design Patent**  
**Garcia Garcia**

(10) **Patent No.:** **US D755,867 S**  
(45) **Date of Patent:** **\*\* May 10, 2016**

(54) **TELESCOPIC ARTICULATED ARM**  
(71) Applicant: **Jorge Juan Garcia Garcia**, Granada (ES)  
(72) Inventor: **Jorge Juan Garcia Garcia**, Granada (ES)  
(\*\*) Term: **14 Years**  
(21) Appl. No.: **29/463,920**  
(22) Filed: **Apr. 7, 2014**

(30) **Foreign Application Priority Data**

Oct. 7, 2013 (ES) ..... 517841

(51) **LOC (10) Cl.** ..... **15-99**

(52) **U.S. Cl.**  
USPC ..... **D15/199**

(58) **Field of Classification Search**  
USPC ..... D15/199; D21/578-583, 621, 622  
See application file for complete search history.

(56) **References Cited**

**U.S. PATENT DOCUMENTS**

D274,182 S *	6/1984	Kato	.....	D15/122
4,668,155 A *	5/1987	Kaufmann	.....	B25J 9/046 414/680
5,210,997 A *	5/1993	Mountcastle, Jr.	...	A01D 34/866 56/11.9
5,327,058 A *	7/1994	Rembutsu	.....	G05B 19/425 318/568.11
6,010,299 A *	1/2000	Jesswein	.....	B66F 5/00 254/8 R
6,305,678 B1 *	10/2001	Hammersmith	.....	B23K 37/047 269/71
6,592,323 B1 *	7/2003	Hsieh	.....	B66C 1/0212 198/471.1
D478,921 S *	8/2003	Kullborg	.....	D15/199
8,627,780 B2 *	1/2014	Herre	.....	B05B 13/0431 118/323
8,698,965 B2 *	4/2014	Choi	.....	B25J 5/007 348/839

2003/0062858 A1 *	4/2003	Shimizu	.....	B25J 9/1615 318/34
2005/0092122 A1 *	5/2005	Markert	.....	B25J 19/0075 74/490.01
2007/0110554 A1 *	5/2007	Ono	.....	B25J 9/042 414/744.5
2011/0222999 A1 *	9/2011	Kubota	.....	B25J 9/101 414/590
2014/0081453 A1 *	3/2014	Alotto	.....	B25J 9/161 700/245
2015/0003945 A1 *	1/2015	Takahashi	.....	B25J 9/023 414/589
2015/0177084 A1 *	6/2015	Inoue	.....	G01L 5/18 73/862.541

\* cited by examiner

*Primary Examiner* — Patricia Palasik

(74) *Attorney, Agent, or Firm* — Husch Blackwell LLP

(57) **CLAIM**

The ornamental design for a telescopic articulated arm, as shown and described.

**DESCRIPTION**

FIG. 1 is a right front perspective view of the telescopic articulated arm;

FIG. 2 is a left rear perspective view thereof;

FIG. 3 is a partial right rear perspective detail view of the design seen in FIGS. 1 and 2;

FIG. 4 is a partial right rear perspective detail view of the design seen in FIG. 3 with the top plate shown removed for clarity of disclosure;

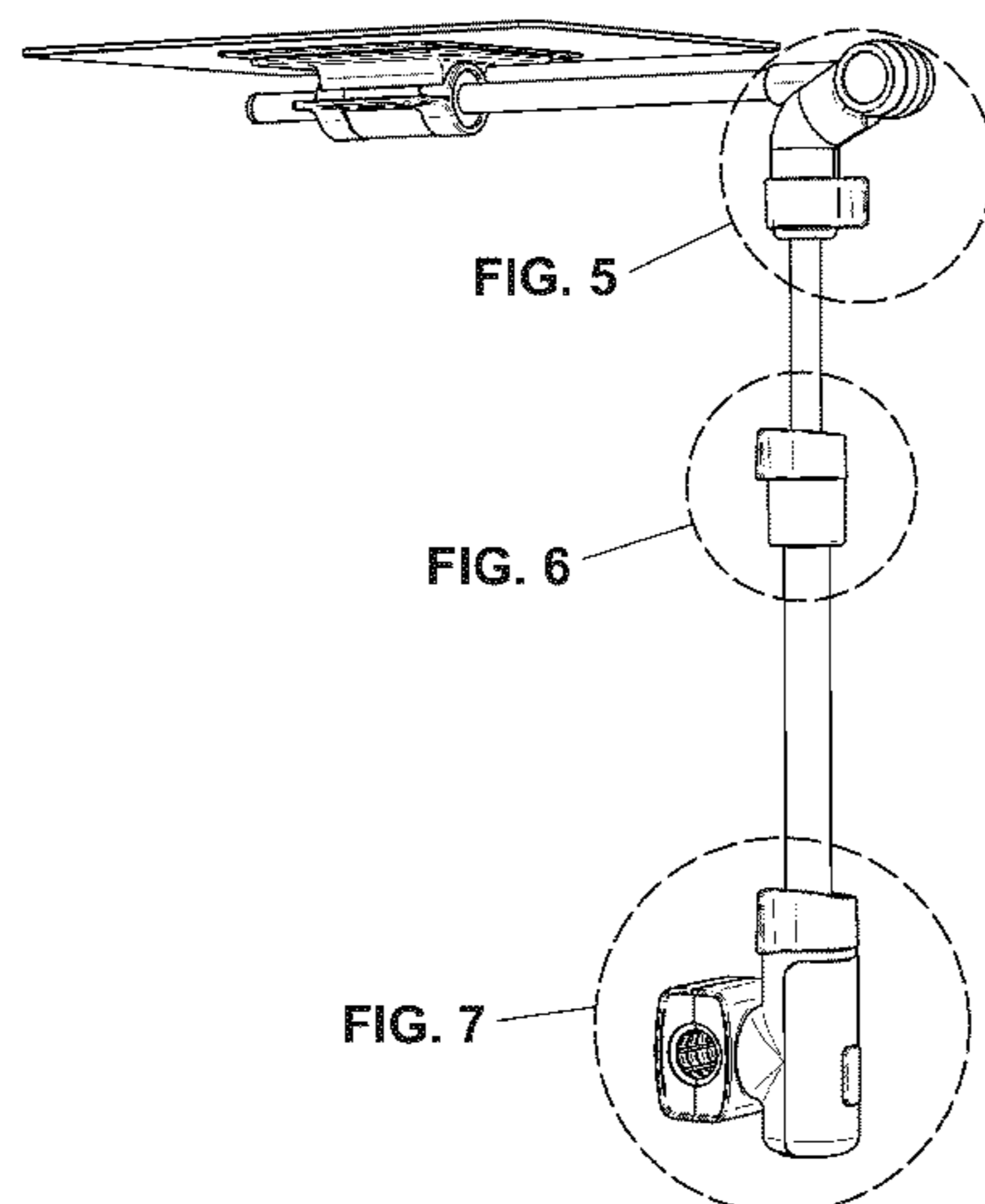
FIG. 5 is a right front perspective detail view of the portion of the design indicated in circle 5 in FIG. 1;

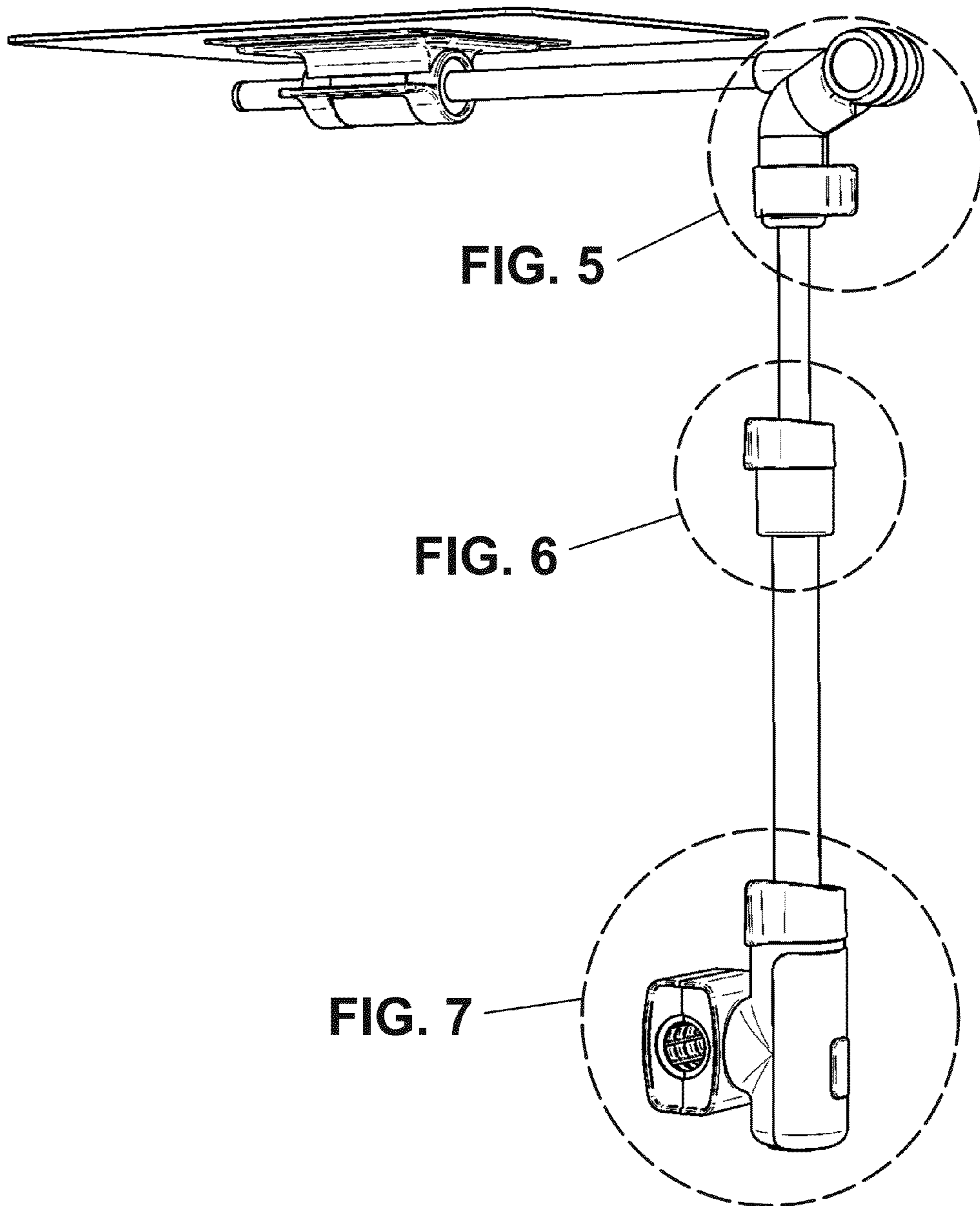
FIG. 6 is a right front perspective detail view of the portion of the design indicated in circle 6 in FIG. 1; and,

FIG. 7 is a right front perspective detail view of the portion of the design indicated in circle 7 in FIG. 1.

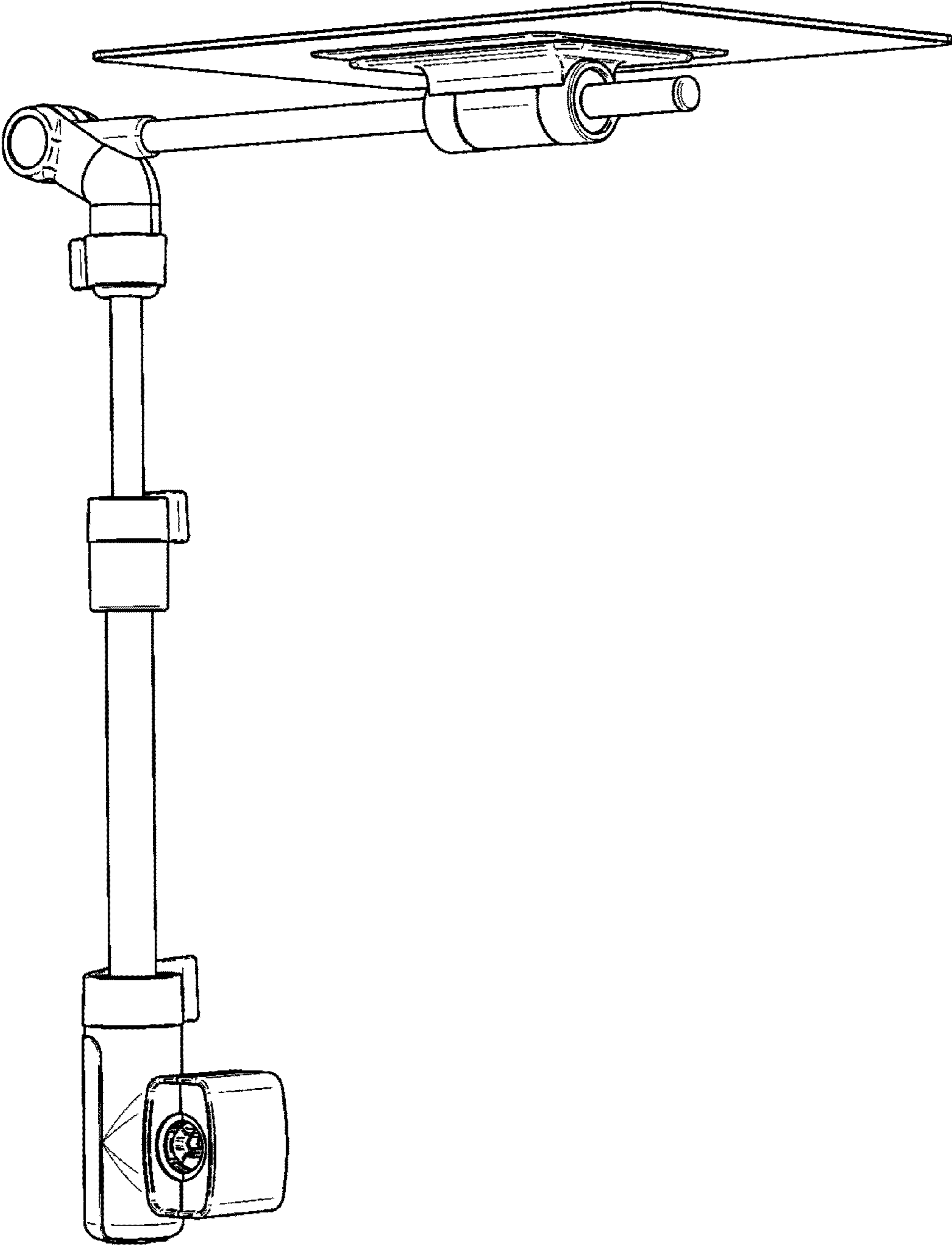
The broken lines in the drawings are included for purpose of indicating corresponding detail views and partial views and form no part of the claimed design.

**1 Claim, 7 Drawing Sheets**

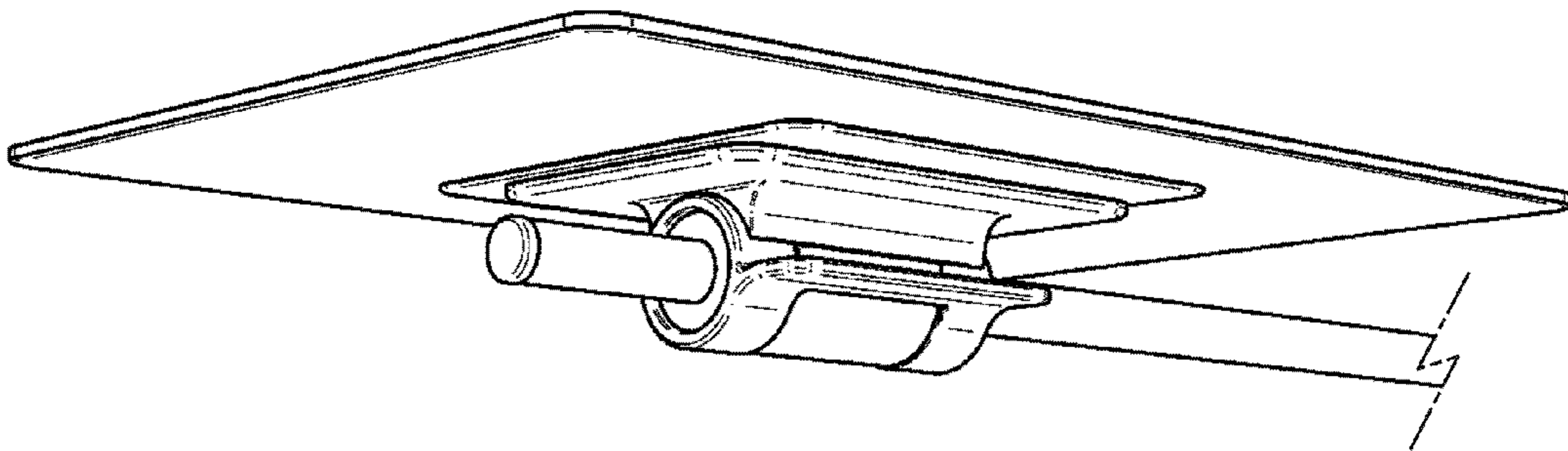




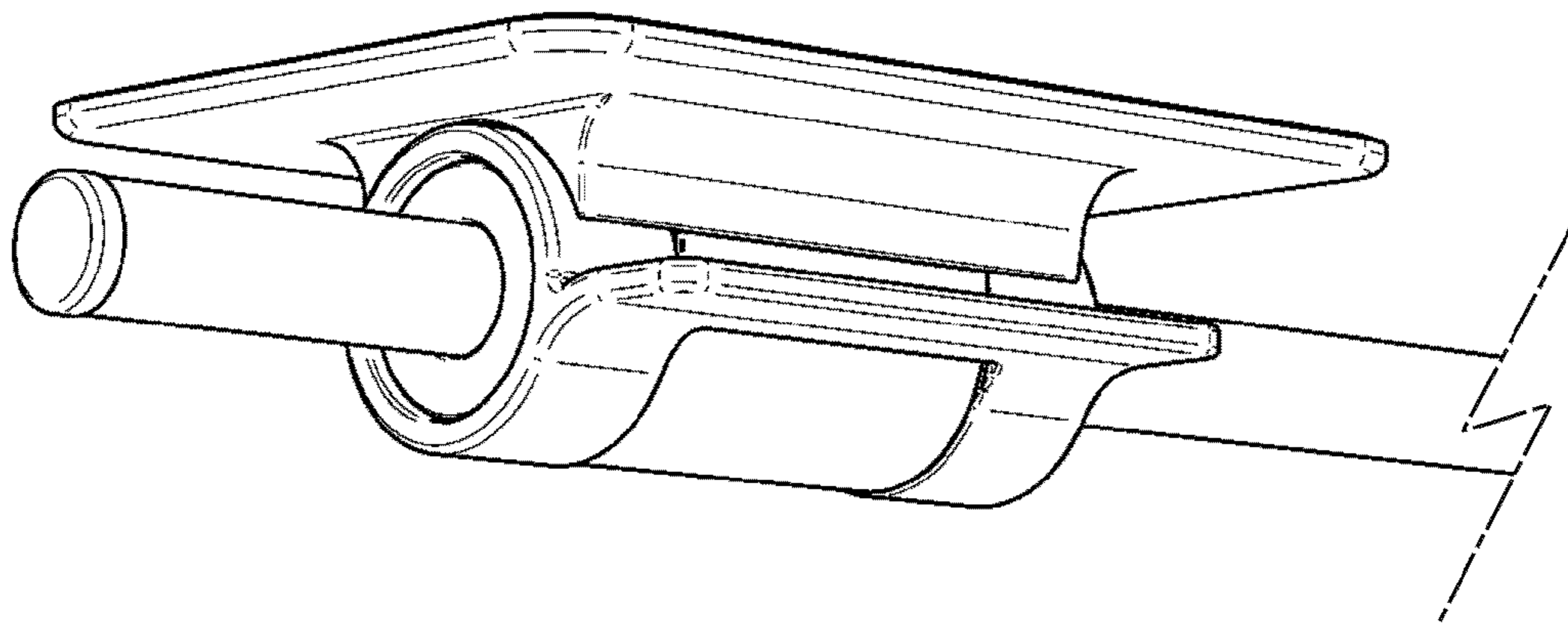
**FIG. 1**



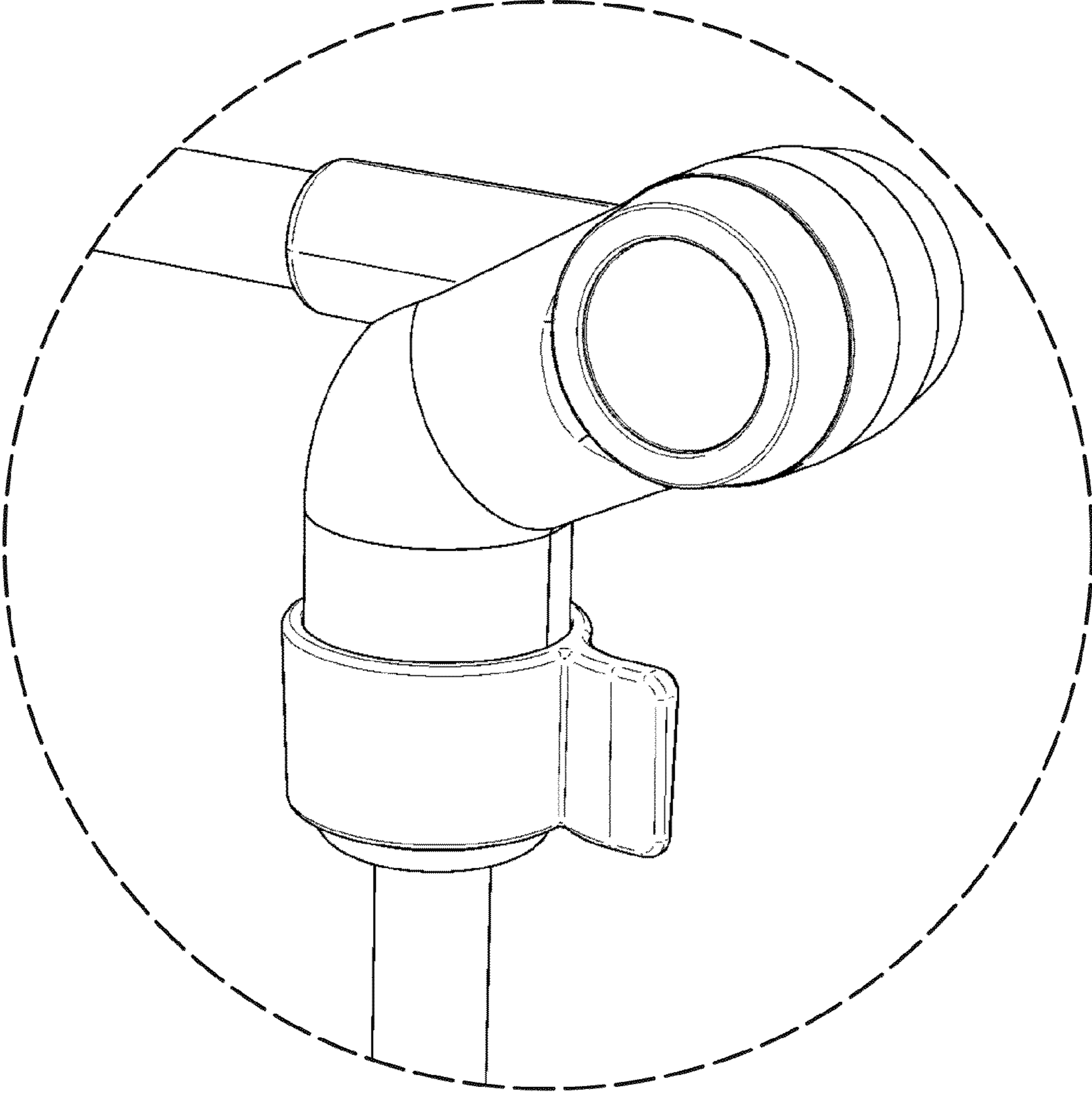
**FIG. 2**



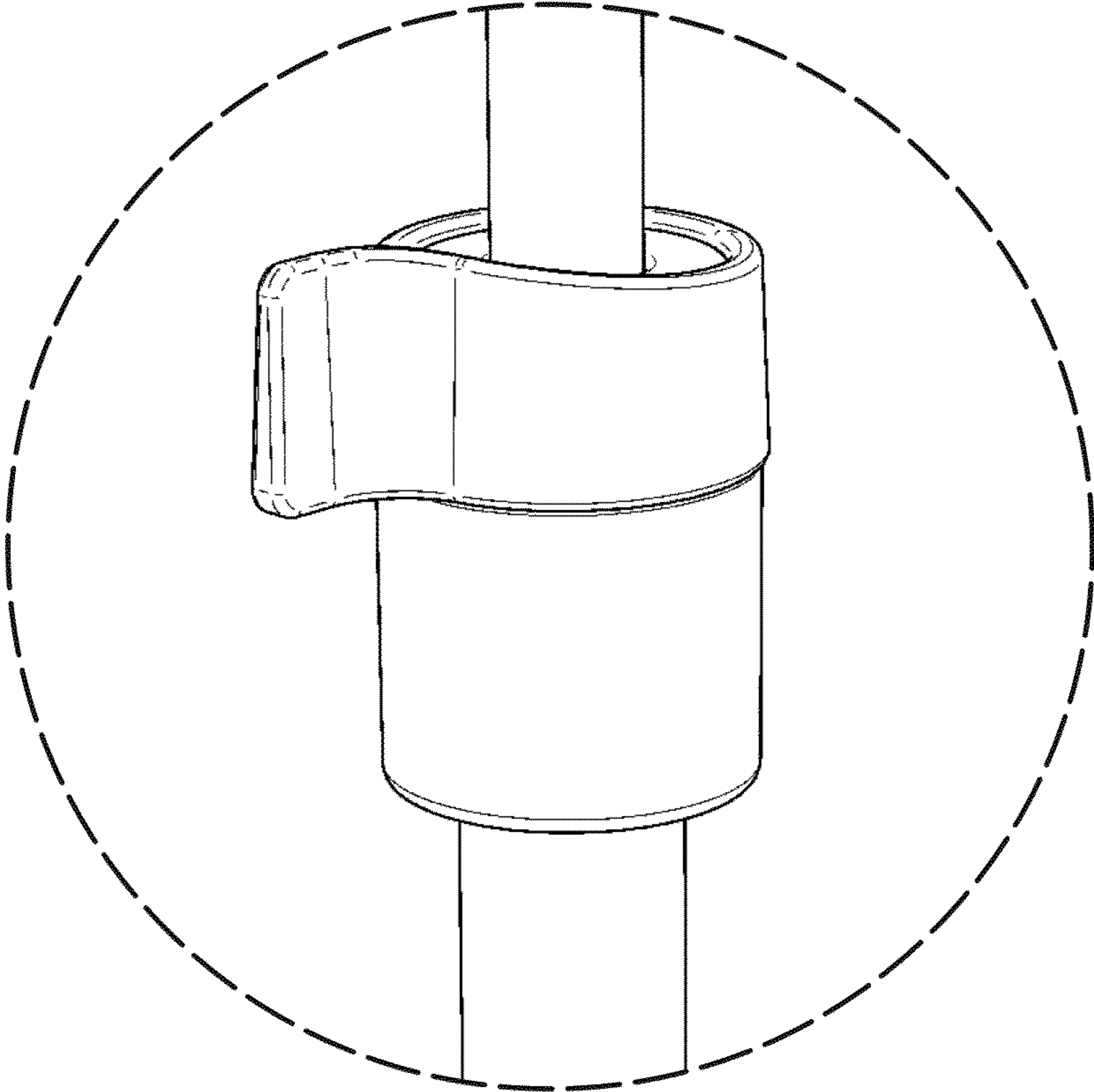
**FIG. 3**



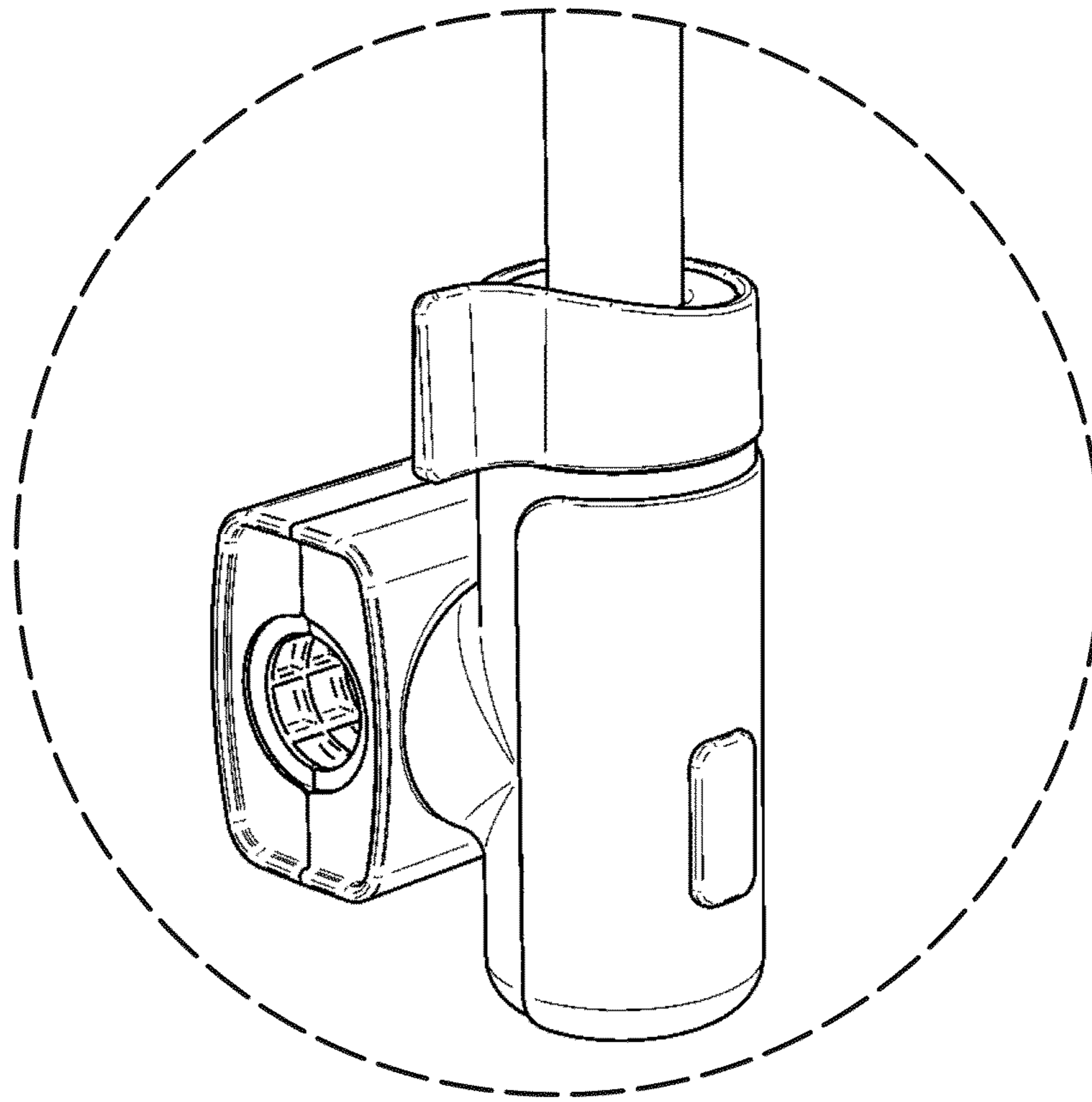
**FIG. 4**



**FIG. 5**



**FIG. 6**



**FIG. 7**