



US00D755865S

(12) **United States Design Patent**
Williams et al.

(10) **Patent No.:** **US D755,865 S**

(45) **Date of Patent:** **** May 10, 2016**

(54) **FLUID APPLICATION DEVICE**

(71) Applicants: **Craig A. Williams**, Maumee, OH (US);
Sydney E. Spraw, Toledo, OH (US)

(72) Inventors: **Craig A. Williams**, Maumee, OH (US);
Sydney E. Spraw, Toledo, OH (US)

(73) Assignee: **Designetics, Inc.**, Holland, OH (US)

(**) Term: **14 Years**

(21) Appl. No.: **29/518,195**

(22) Filed: **Feb. 20, 2015**

(51) **LOC (10) Cl.** **15-09**

(52) **U.S. Cl.**
USPC **D15/138**

(58) **Field of Classification Search**
USPC D8/70; D15/138-144.2; D23/213, 223
See application file for complete search history.

(56) **References Cited**

U.S. PATENT DOCUMENTS

4,030,341	A *	6/1977	Sullivan	73/61.54
5,193,928	A *	3/1993	Balzer et al.	401/132
D334,695	S *	4/1993	Watmore et al.	D8/30
5,608,433	A *	3/1997	Quate	347/37
D440,991	S *	4/2001	Fujiwara	D15/144.2
6,981,656	B2 *	1/2006	Fisher et al.	239/104
7,101,439	B2 *	9/2006	Kushihashi et al.	118/300

7,249,696	B2 *	7/2007	Penalver Garcia	222/504
7,611,071	B2 *	11/2009	Bolyard et al.	239/13
D745,583	S *	12/2015	Arikan et al.	D15/138

* cited by examiner

Primary Examiner — Patricia Palasik

(74) *Attorney, Agent, or Firm* — Donald K. Wedding

(57) **CLAIM**

The ornamental design for a fluid application device, as shown and described.

DESCRIPTION

FIG. 1 is a perspective view of a fluid application device. FIG. 2 is a bottom view of the fluid application device shown in FIG. 1.

FIG. 3 is a right side view of the fluid application device shown in FIG. 1.

FIG. 4 is a top view of the fluid application device shown in FIG. 1.

FIG. 5 is a left side view of the fluid application device shown in FIG. 1.

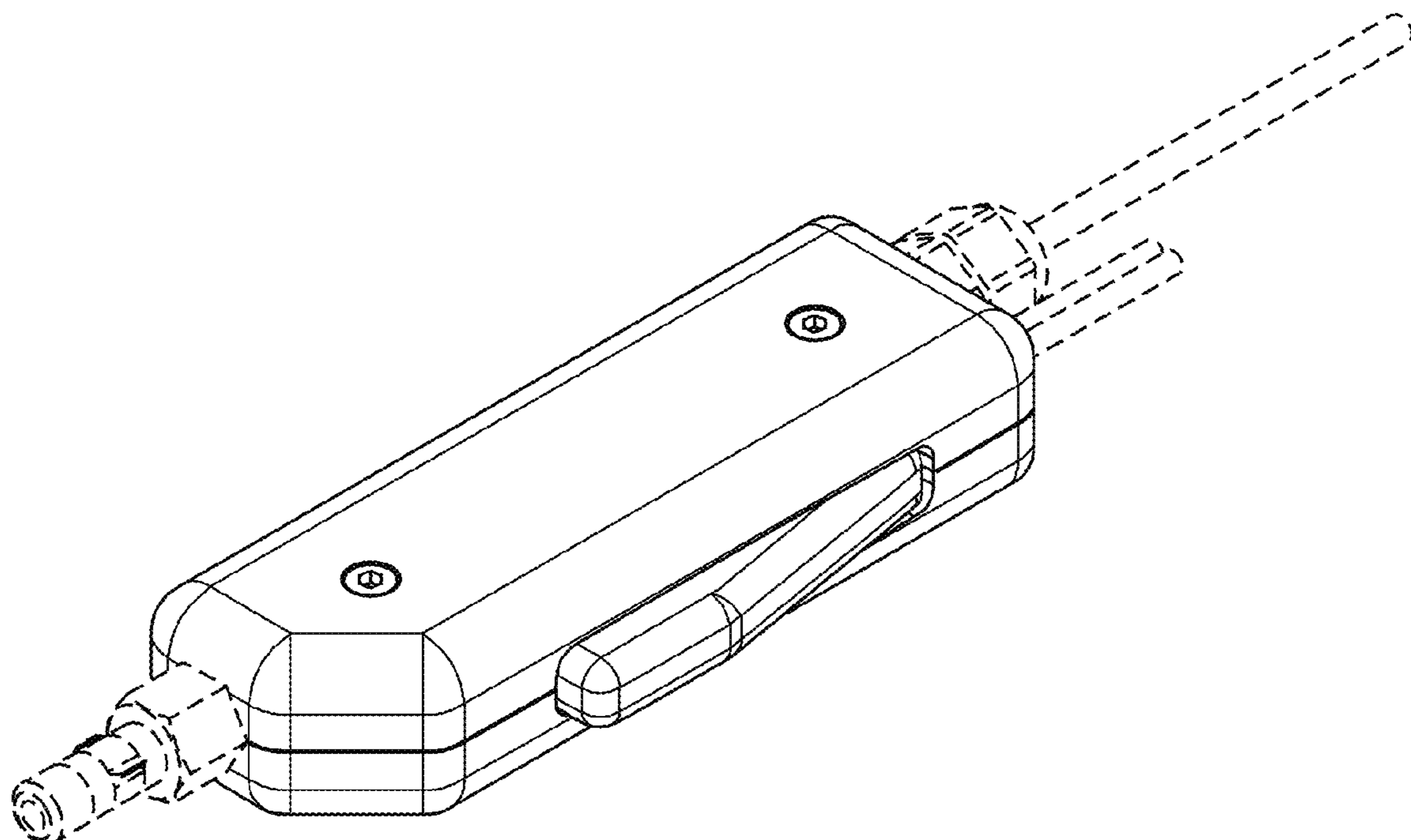
FIG. 6 is a distal end view of the fluid application device shown in FIG. 1; and,

FIG. 7 is a proximal end view of the fluid application device shown in FIG. 1.

The fluid application device is used to apply a fluid to a surface. The applicator is open at the top end straight through up to and including the bottom end.

The broken lines in the drawings depict the boundaries of the claimed design and form no part thereof.

1 Claim, 2 Drawing Sheets



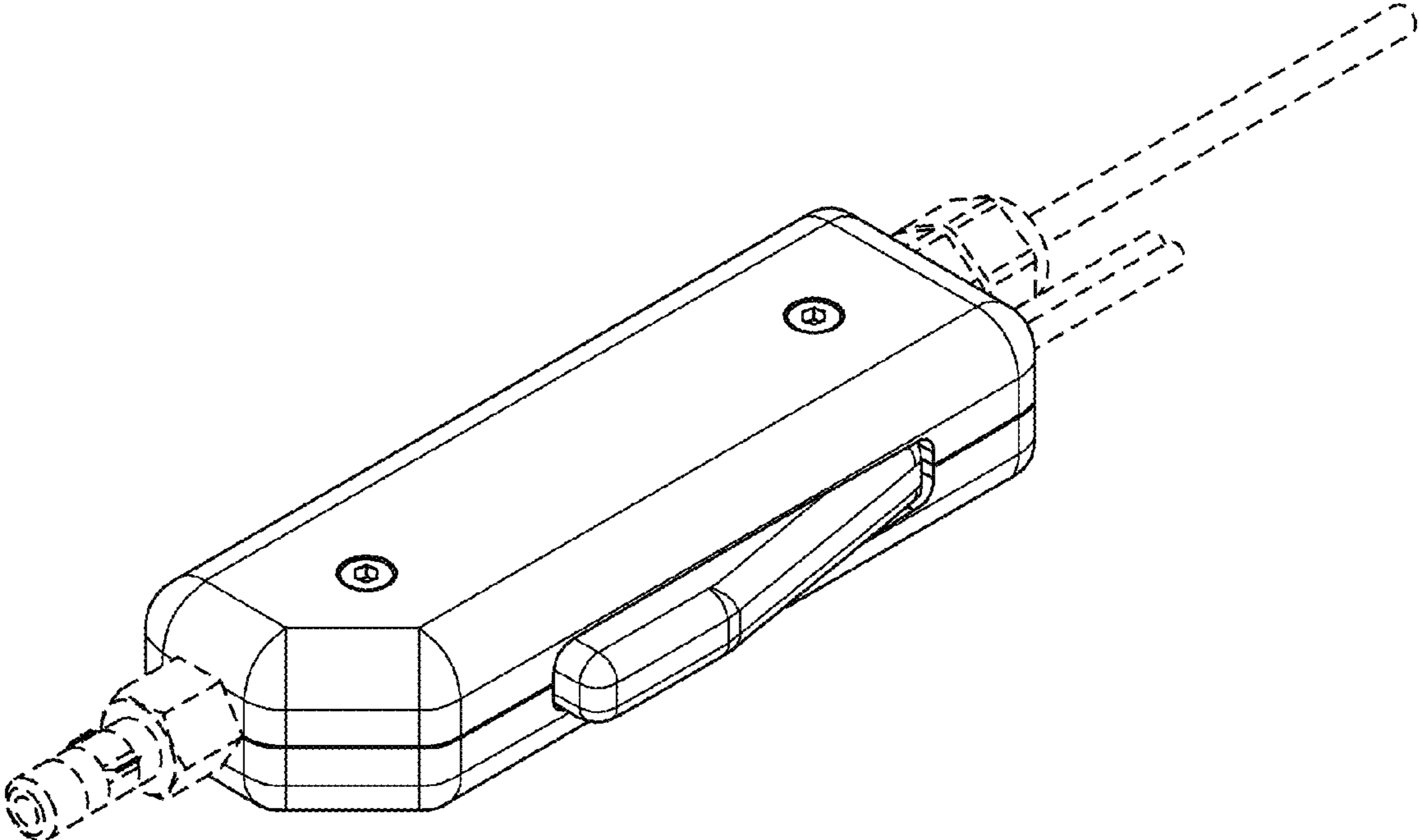


FIG. 1

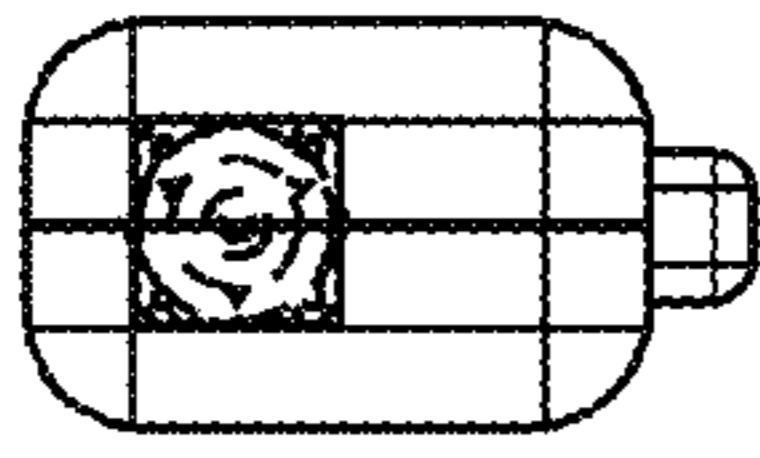


FIG. 6

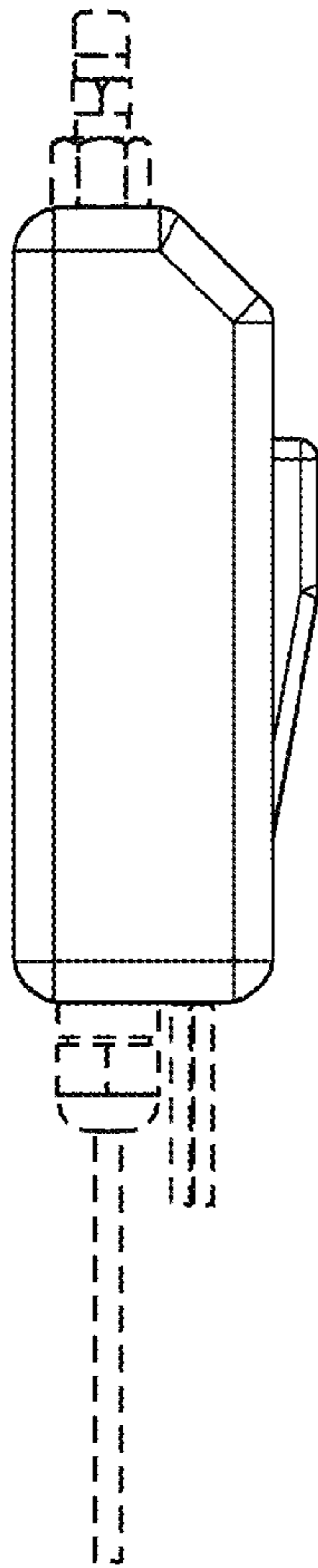


FIG. 2

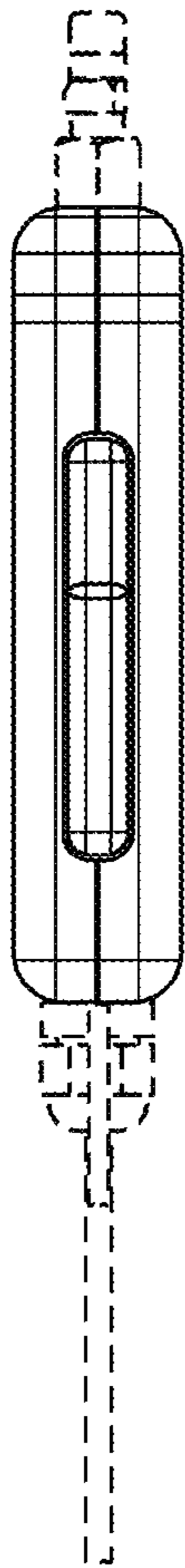


FIG. 3

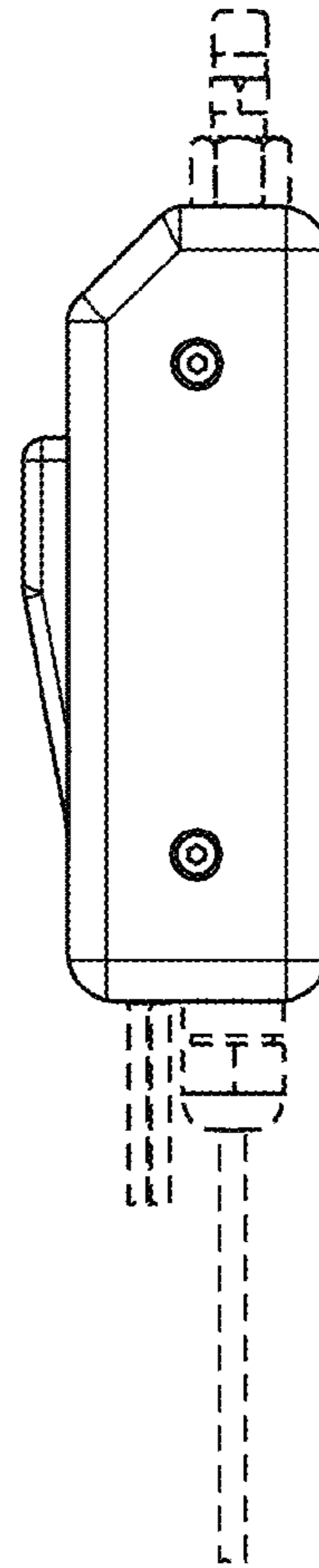


FIG. 4

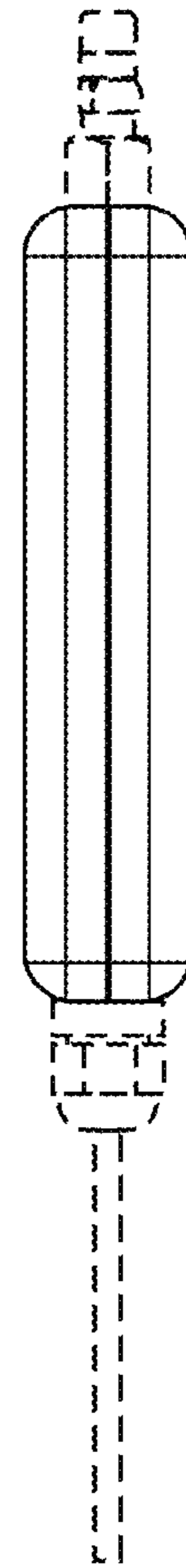


FIG. 5

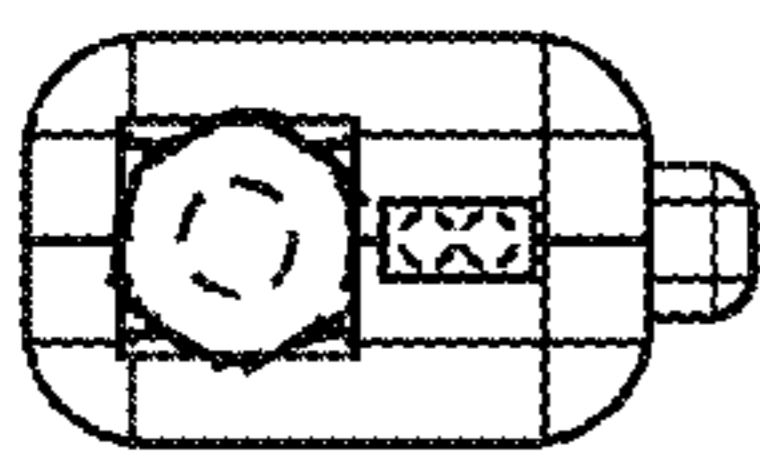


FIG. 7