



US00D755864S

(12) **United States Design Patent**
Savill, Jr.

(10) **Patent No.:** **US D755,864 S**
(45) **Date of Patent:** **** May 10, 2016**

(54) **INJECTOR RING**

(75) Inventor: **Robert F. Savill, Jr.**, Levittown, NY
(US)

(73) Assignee: **OERLIKON METCO (US) INC.**,
Westbury, NY (US)

(**) Term: **14 Years**

(21) Appl. No.: **29/420,562**

(22) Filed: **May 10, 2012**

(51) **LOC (10) Cl.** **15-09**

(52) **U.S. Cl.**
USPC **D15/138**

(58) **Field of Classification Search**
USPC D15/5, 138; 239/548
See application file for complete search history.

(56) **References Cited**

U.S. PATENT DOCUMENTS

8,313,046 B2 * 11/2012 Short 239/494
2008/0041060 A1 * 2/2008 Nilsson et al. 60/737
2011/0031333 A1 * 2/2011 Short 239/548

2013/0341912 A1 * 12/2013 Tanner et al. 285/272
2014/0138568 A1 * 5/2014 van Vuuren et al. 251/357
2014/0157781 A1 * 6/2014 Moran et al. 60/746

FOREIGN PATENT DOCUMENTS

JP D1162915 1/2003

* cited by examiner

Primary Examiner — Patricia Palasik

(74) *Attorney, Agent, or Firm* — Greenblum & Bernstein,
P.L.C.

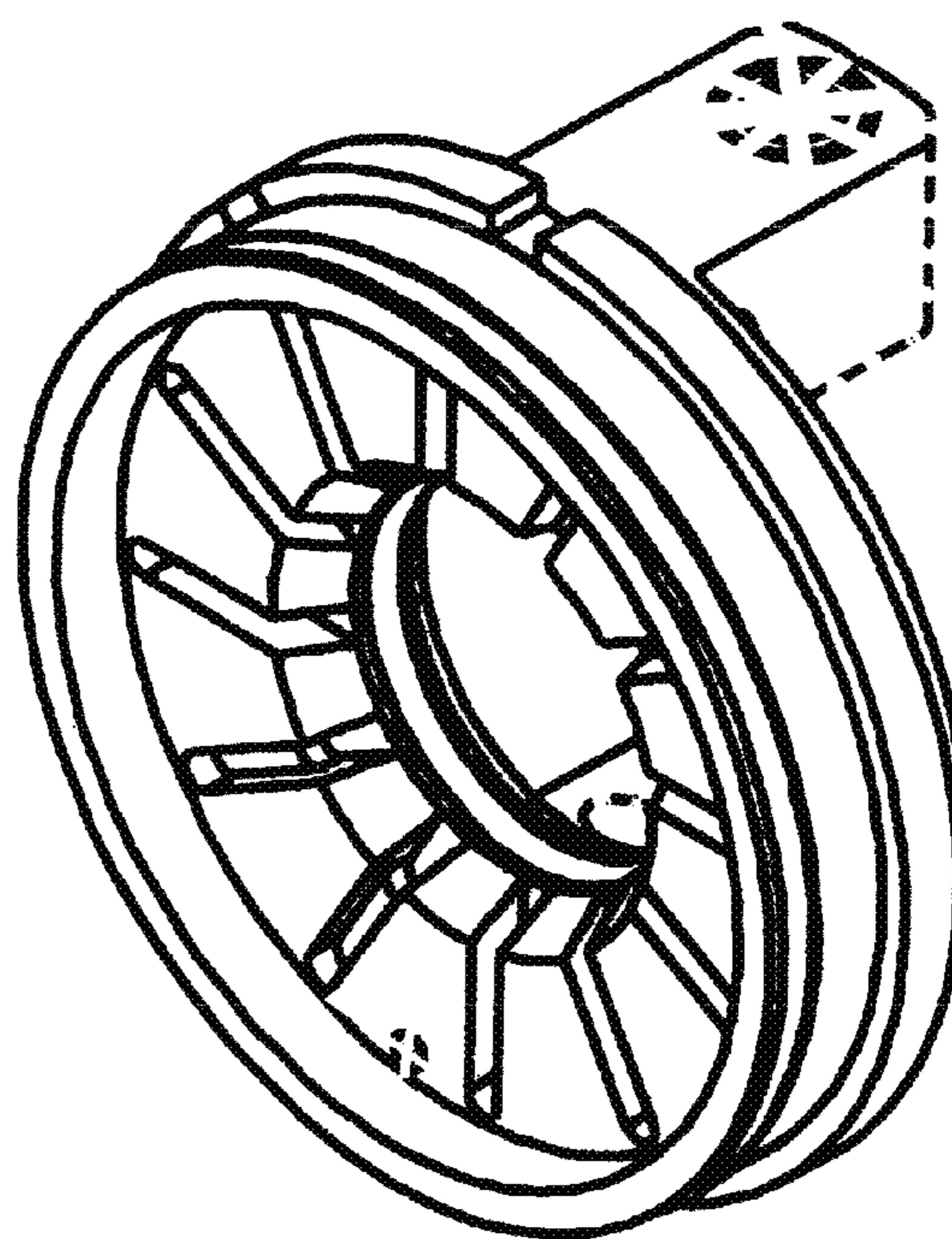
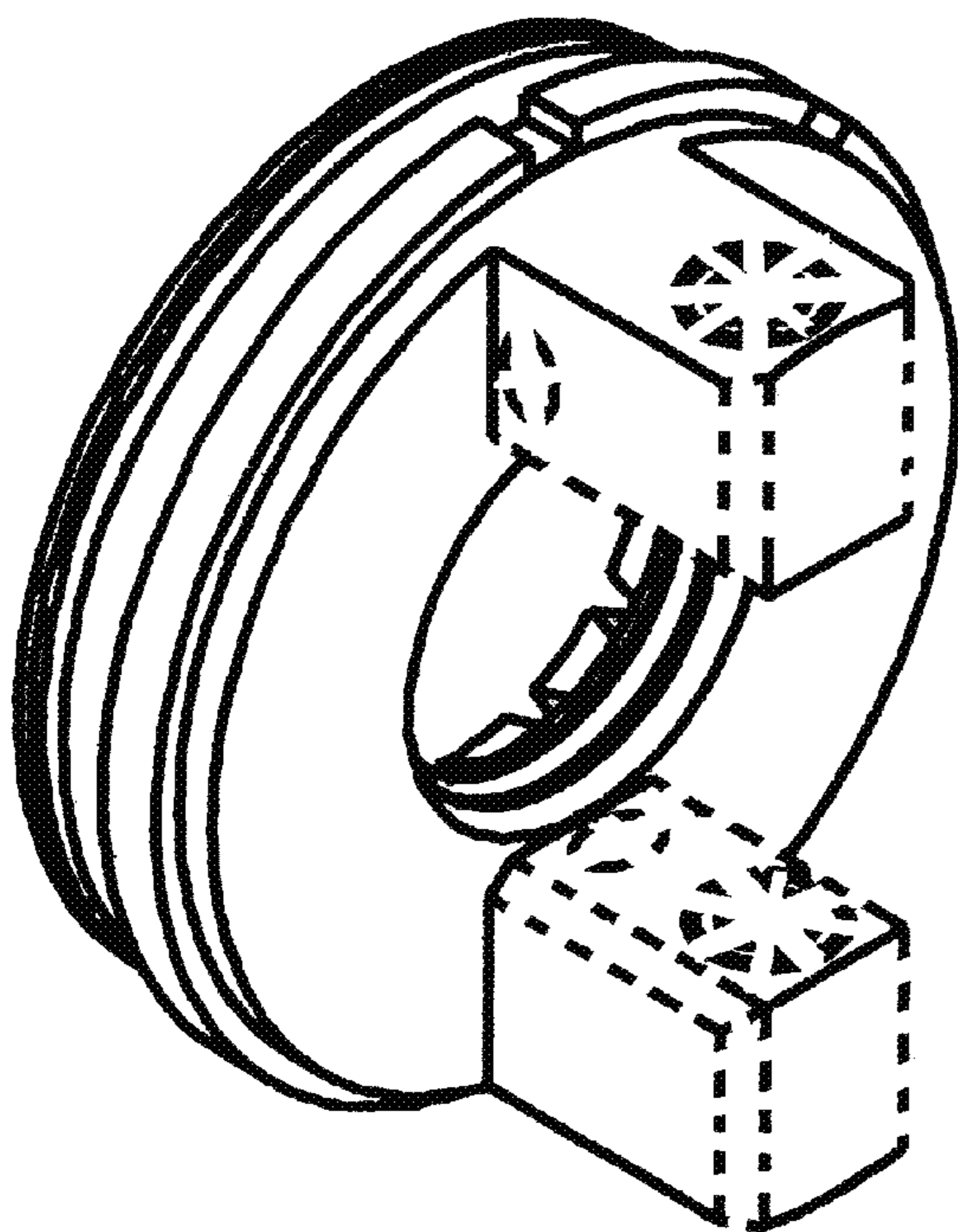
(57) **CLAIM**

I claim the ornamental design for an injector ring, as shown
and described.

DESCRIPTION

FIG. 1 is a top side view of the injector ring;
FIG. 2 is a side view of FIG. 1 rotated 90 degrees;
FIG. 3 shows a front side view of FIG. 1;
FIG. 4 shows a back side view of FIG. 1;
FIG. 5 shows a back top side perspective view of FIG. 1; and,
FIG. 6 shows a front top side perspective view of FIG. 1.
The broken lines in the drawings depict unclaimed environ-
ment subject matter.

1 Claim, 3 Drawing Sheets



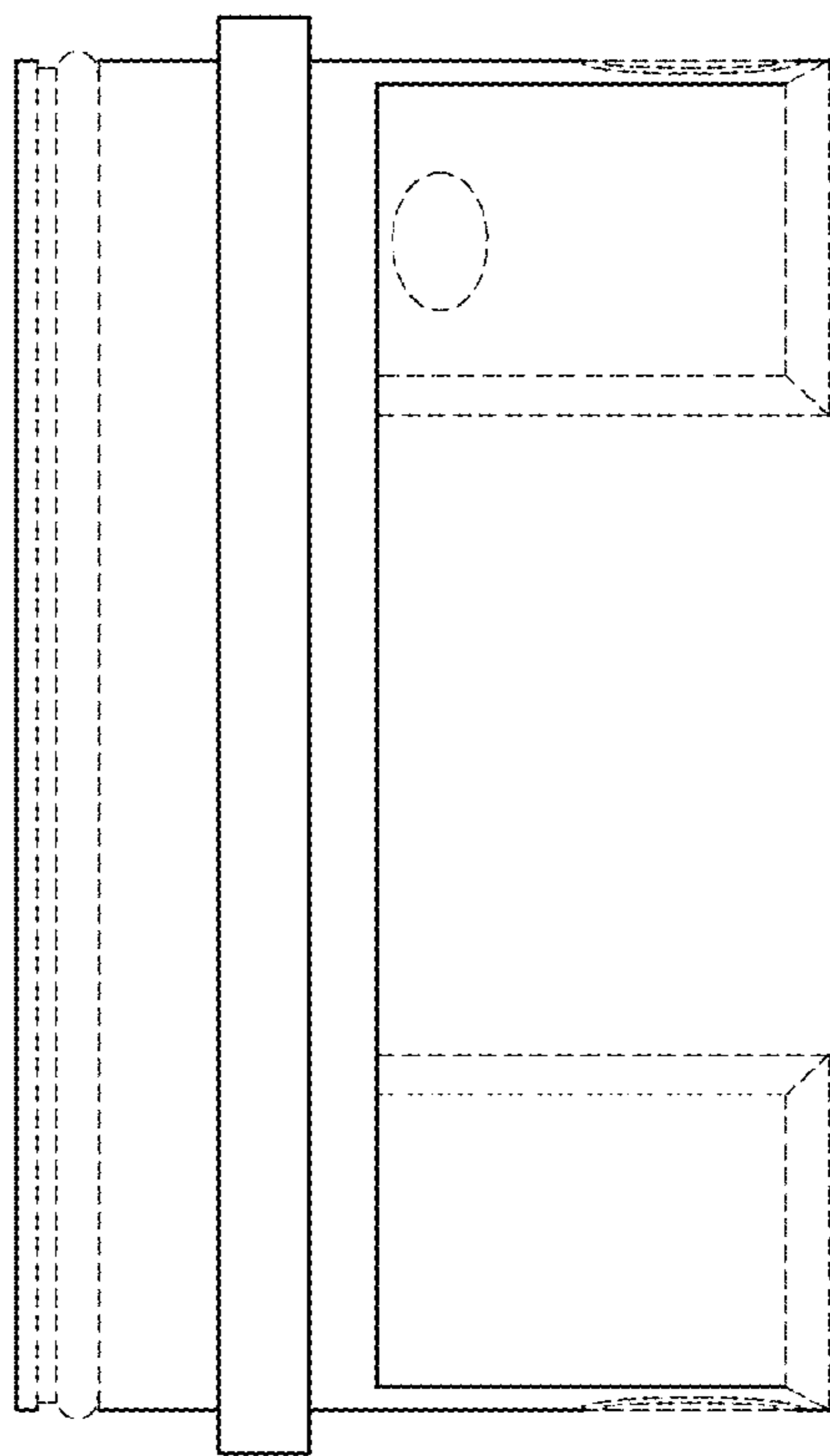


FIG. 2

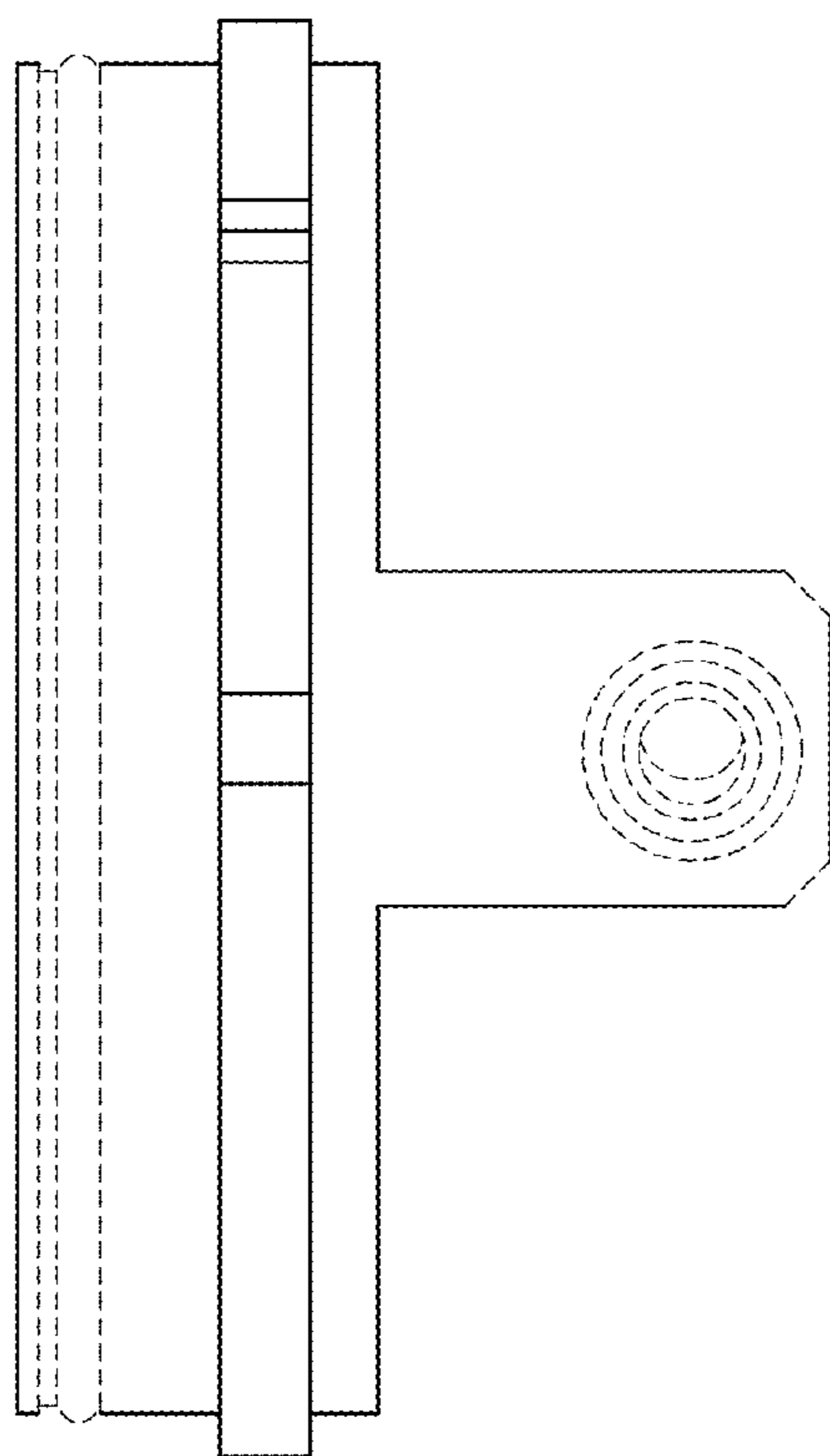


FIG. 1

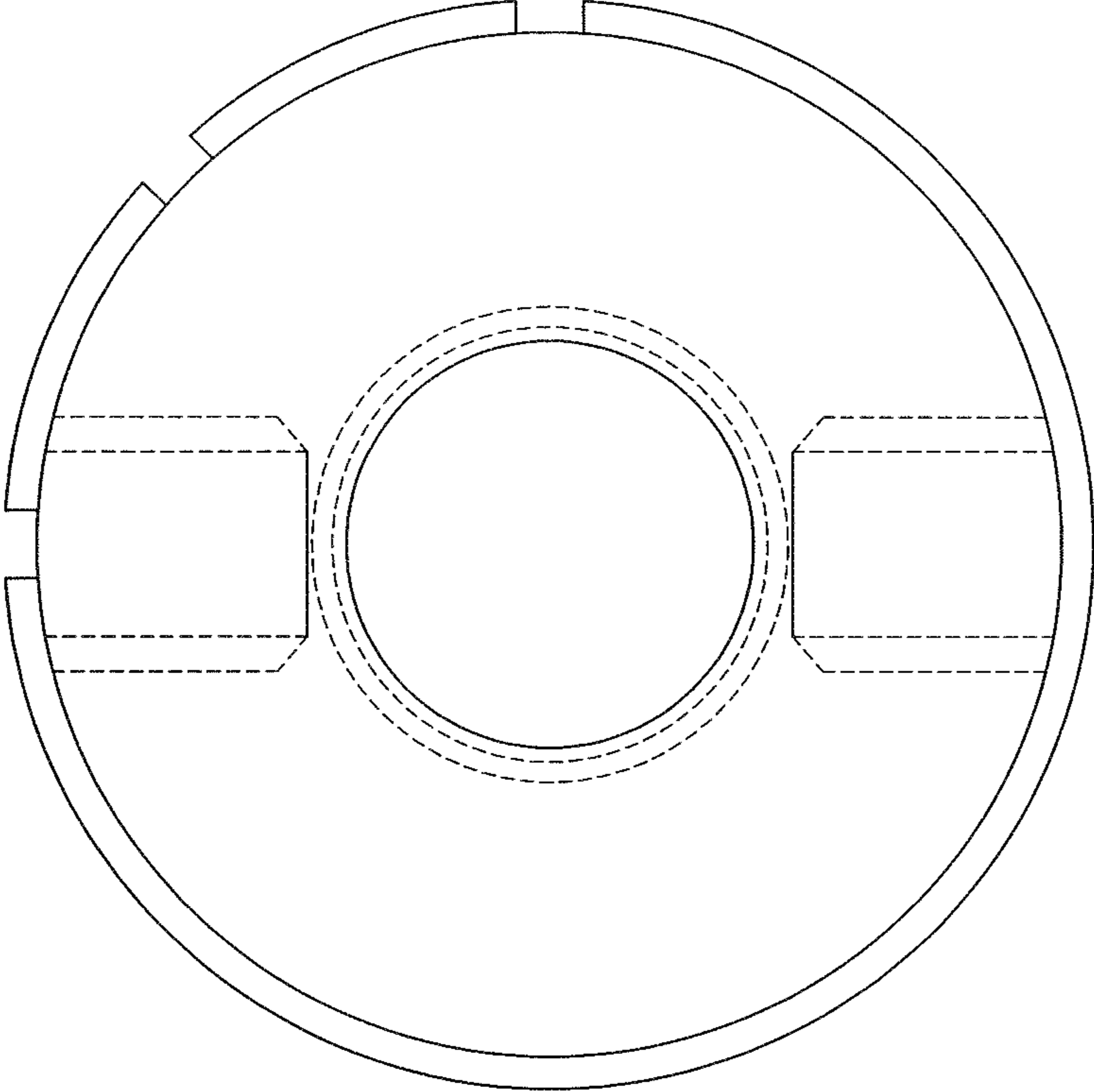


FIG. 4

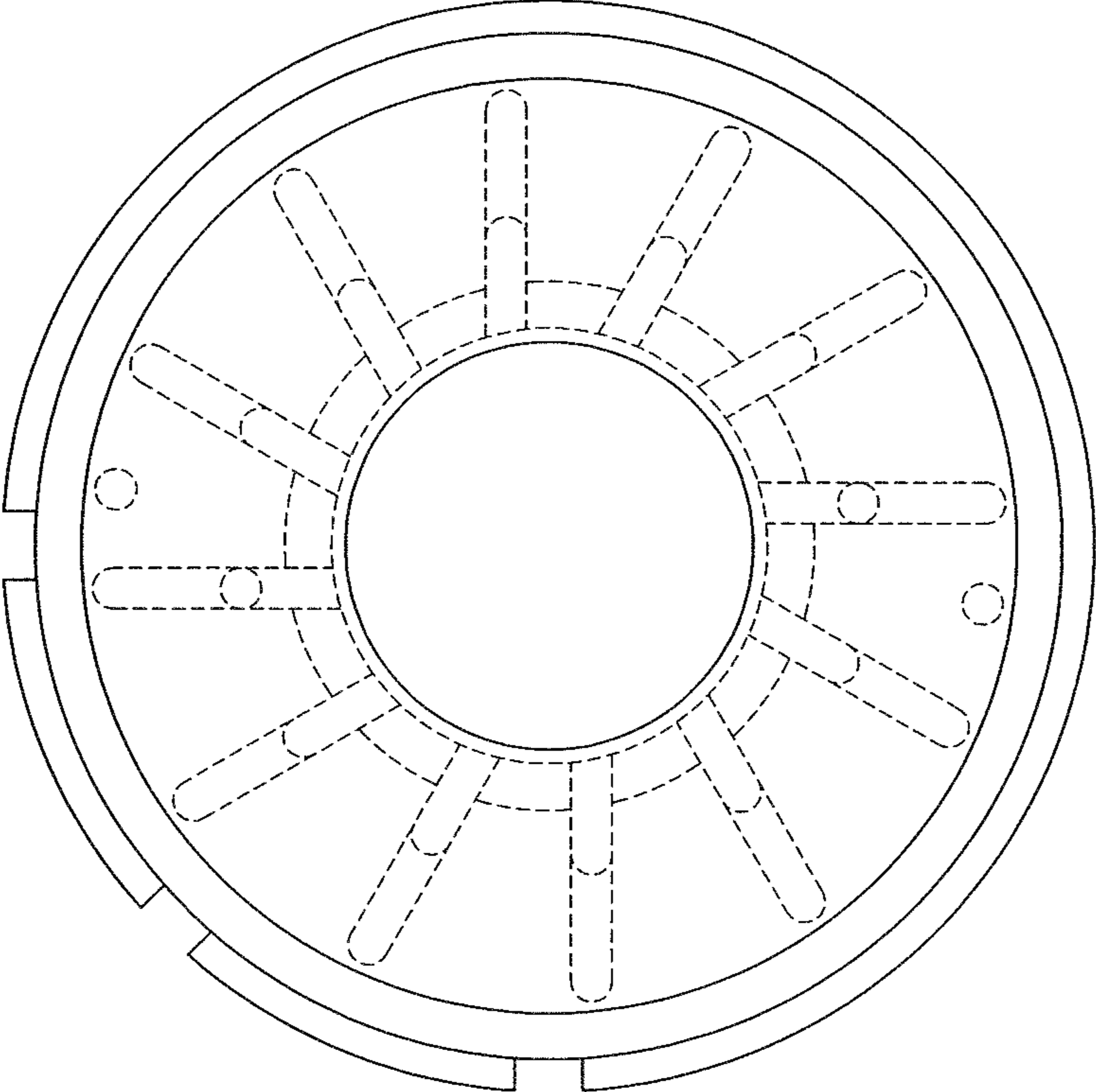


FIG. 3

FIG. 6

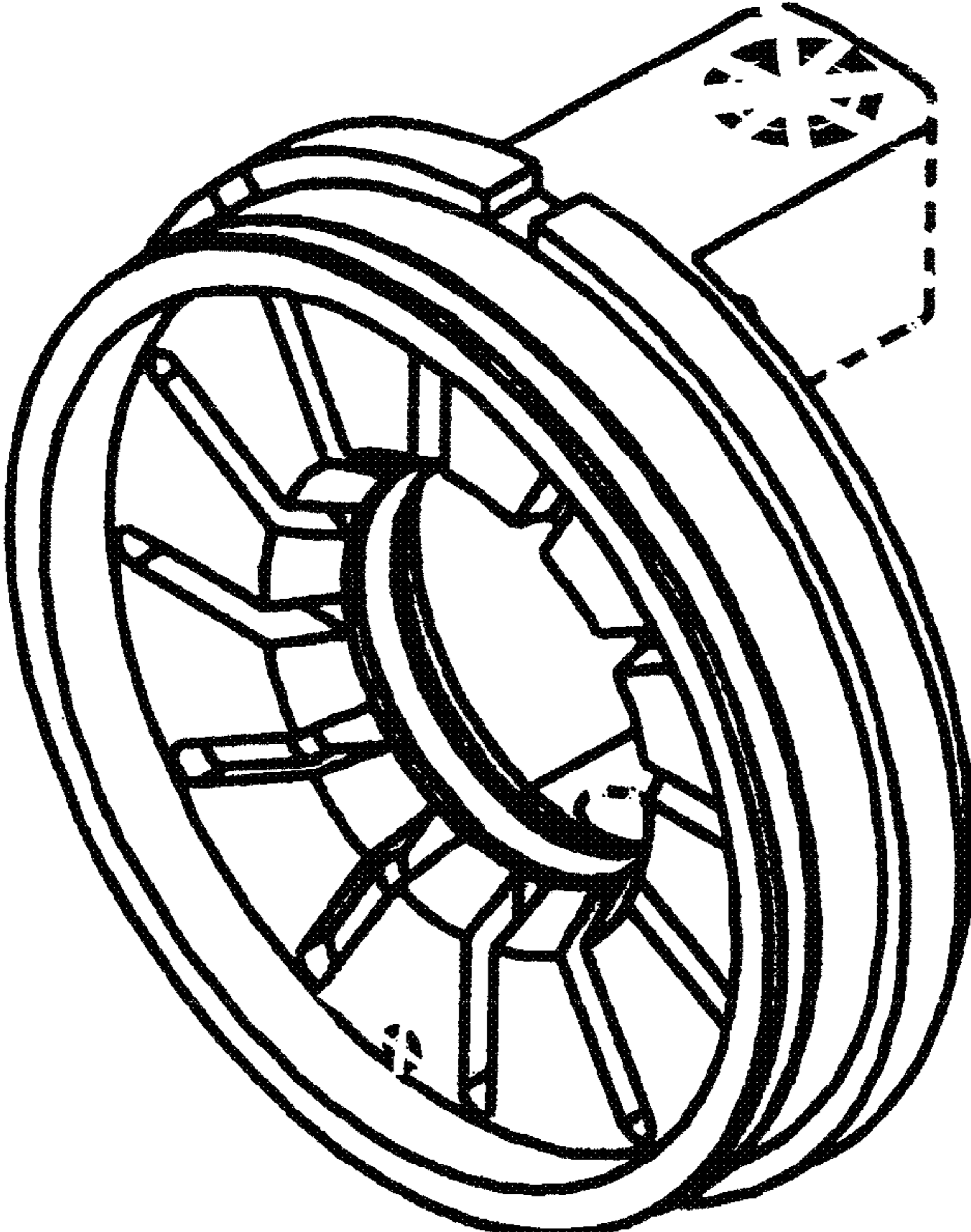
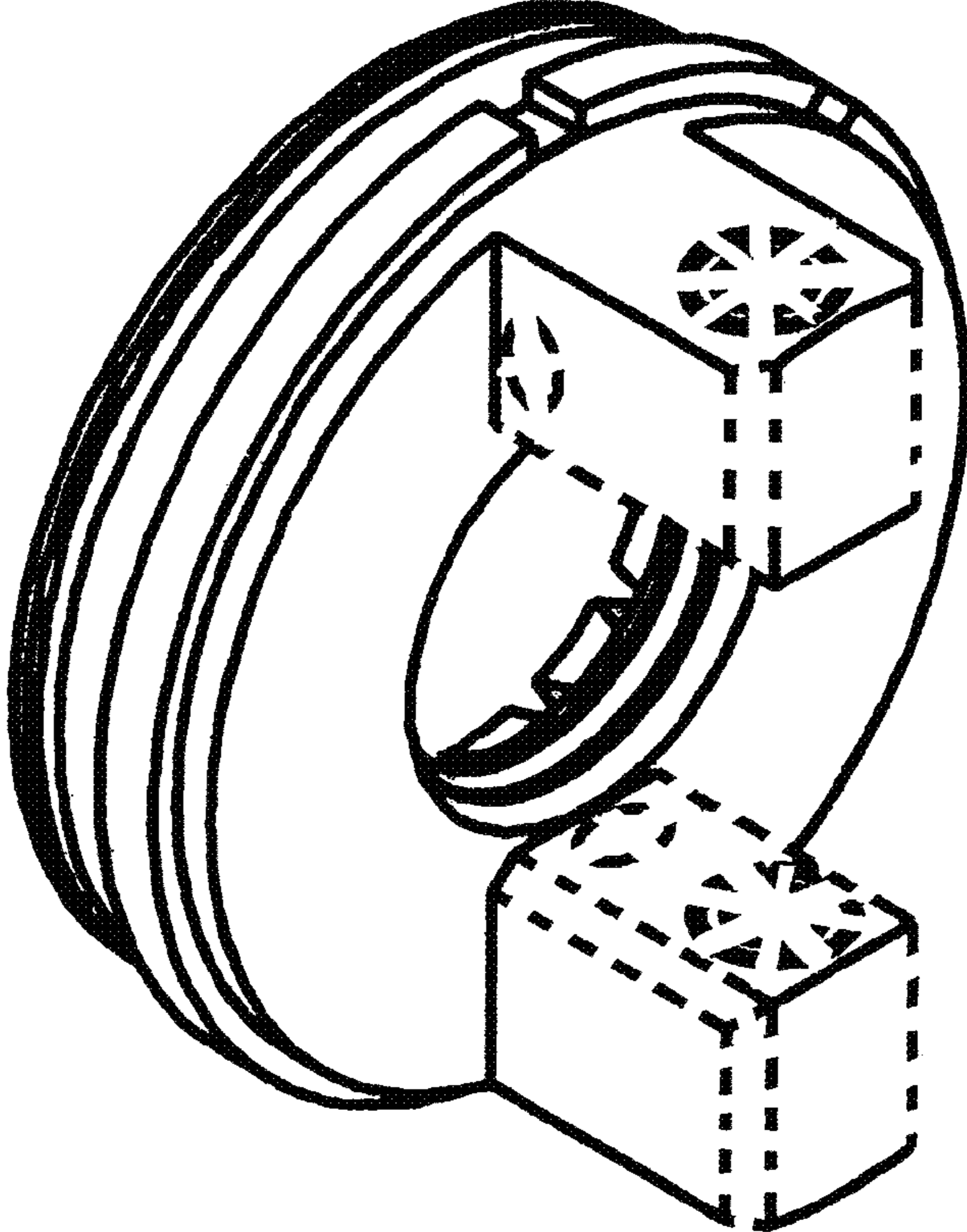


FIG. 5



UNITED STATES PATENT AND TRADEMARK OFFICE
CERTIFICATE OF CORRECTION

PATENT NO. : D755,864 S
APPLICATION NO. : 29/420562
DATED : May 10, 2016
INVENTOR(S) : Robert F. Savill, Jr.

Page 1 of 3

It is certified that error appears in the above-identified patent and that said Letters Patent is hereby corrected as shown below:

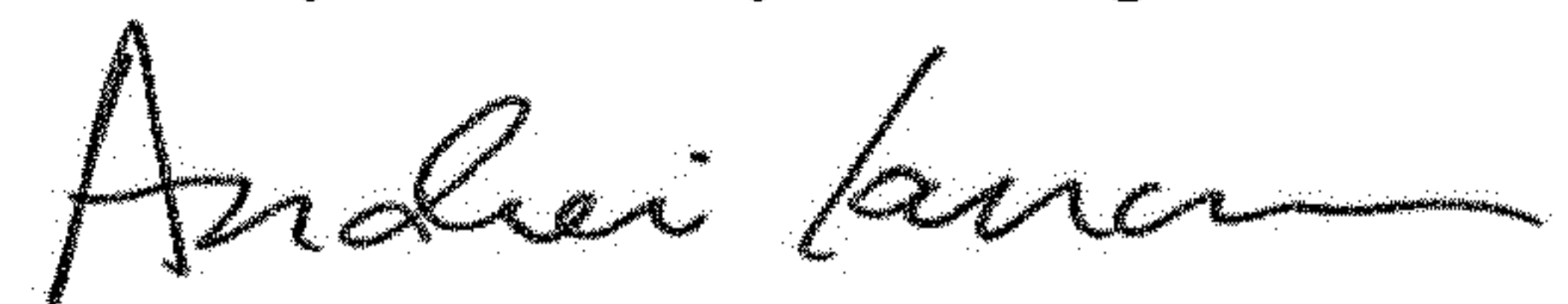
On the Title Page

Delete the title page and substitute therefore with the attached title page consisting of the corrected illustrative figure(s).

In the Drawings

Please replace FIGS. 5 and 6 with FIGS. 5 and 6 as shown on the attached pages.

Signed and Sealed this
Twenty-first Day of August, 2018



Andrei Iancu
Director of the United States Patent and Trademark Office

(12) **United States Design Patent**
Savill, Jr.

(10) **Patent No.:** **US D755,864 S**
(45) **Date of Patent:** **** May 10, 2016**

(54) **INJECTOR RING**

(75) Inventor: **Robert F. Savill, Jr.**, Levittown, NY
(US)

(73) Assignee: **OERLIKON METCO (US) INC.**,
Westbury, NY (US)

(**) Term: **14 Years**

(21) Appl. No.: **29/420,562**

(22) Filed: **May 10, 2012**

(51) **LOC (10) CL.** **15-09**

(52) **U.S. CL.**
USPC **D15/138**

(58) **Field of Classification Search**
USPC **D15/5, 138; 239/548**
See application file for complete search history.

(56) **References Cited**

U.S. PATENT DOCUMENTS

8,313,046 B2* 11/2012 Short 239/494
2008/0041060 A1* 2/2008 Nilsson et al. 60/737
2011/0031333 A1* 2/2011 Short 239/548

2013/0341912 A1* 12/2013 Tanner et al. 285/272
2014/0138568 A1* 5/2014 van Vuuren et al. 251/357
2014/0157781 A1* 6/2014 Moran et al. 60/746

FOREIGN PATENT DOCUMENTS

JP D1162915 1/2003

* cited by examiner

Primary Examiner — Patricia Palasik

(74) *Attorney, Agent, or Firm* — Greenblum & Bernstein,
P.L.C.

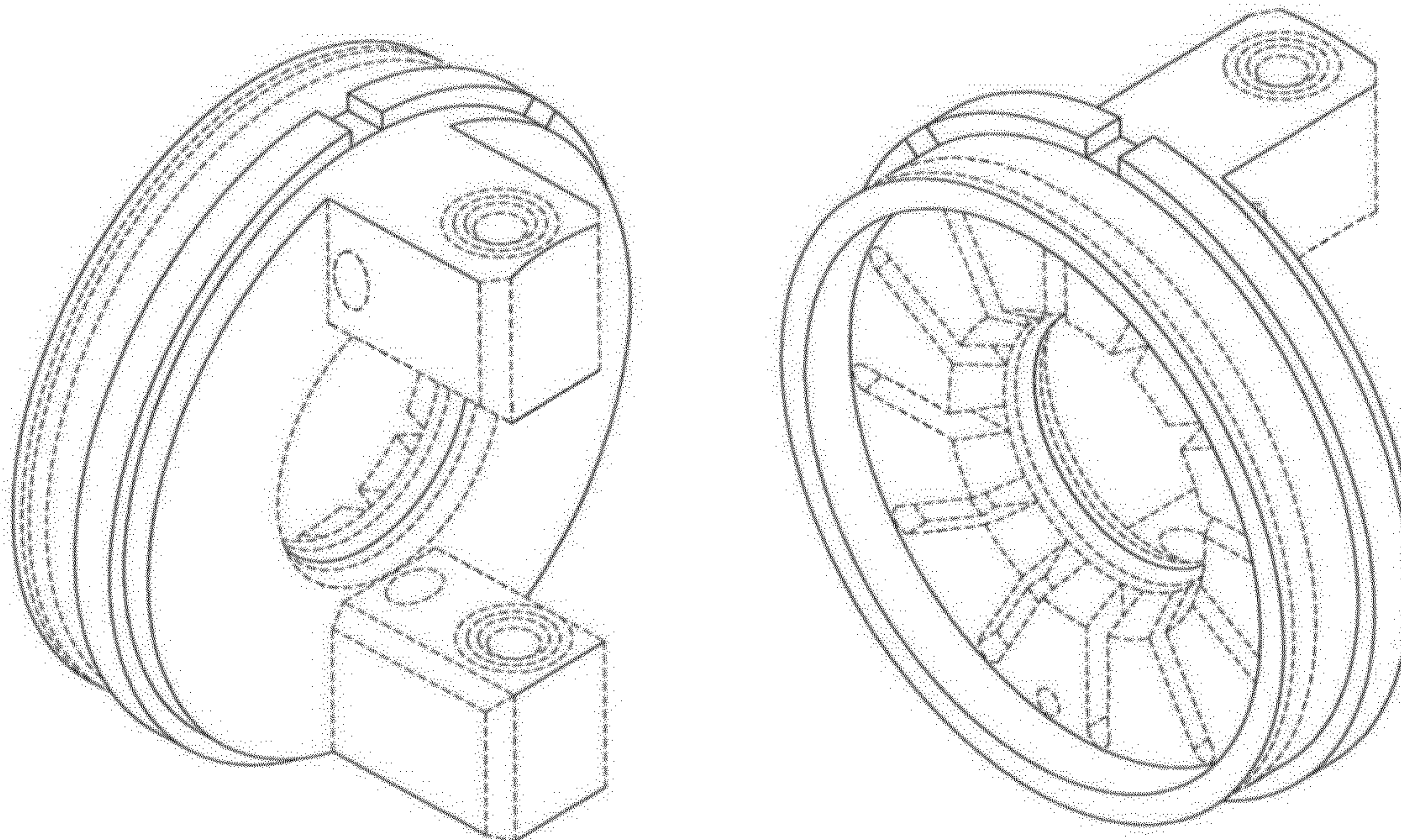
(57) **CLAIM**

I claim the ornamental design for an injector ring, as shown and described.

DESCRIPTION

FIG. 1 is a top side view of the injector ring;
FIG. 2 is a side view of FIG. 1 rotated 90 degrees;
FIG. 3 shows a front side view of FIG. 1;
FIG. 4 shows a back side view of FIG. 1;
FIG. 5 shows a back top side perspective view of FIG. 1; and,
FIG. 6 shows a front top side perspective view of FIG. 1.
The broken lines in the drawings depict unclaimed environment subject matter.

1 Claim, 3 Drawing Sheets



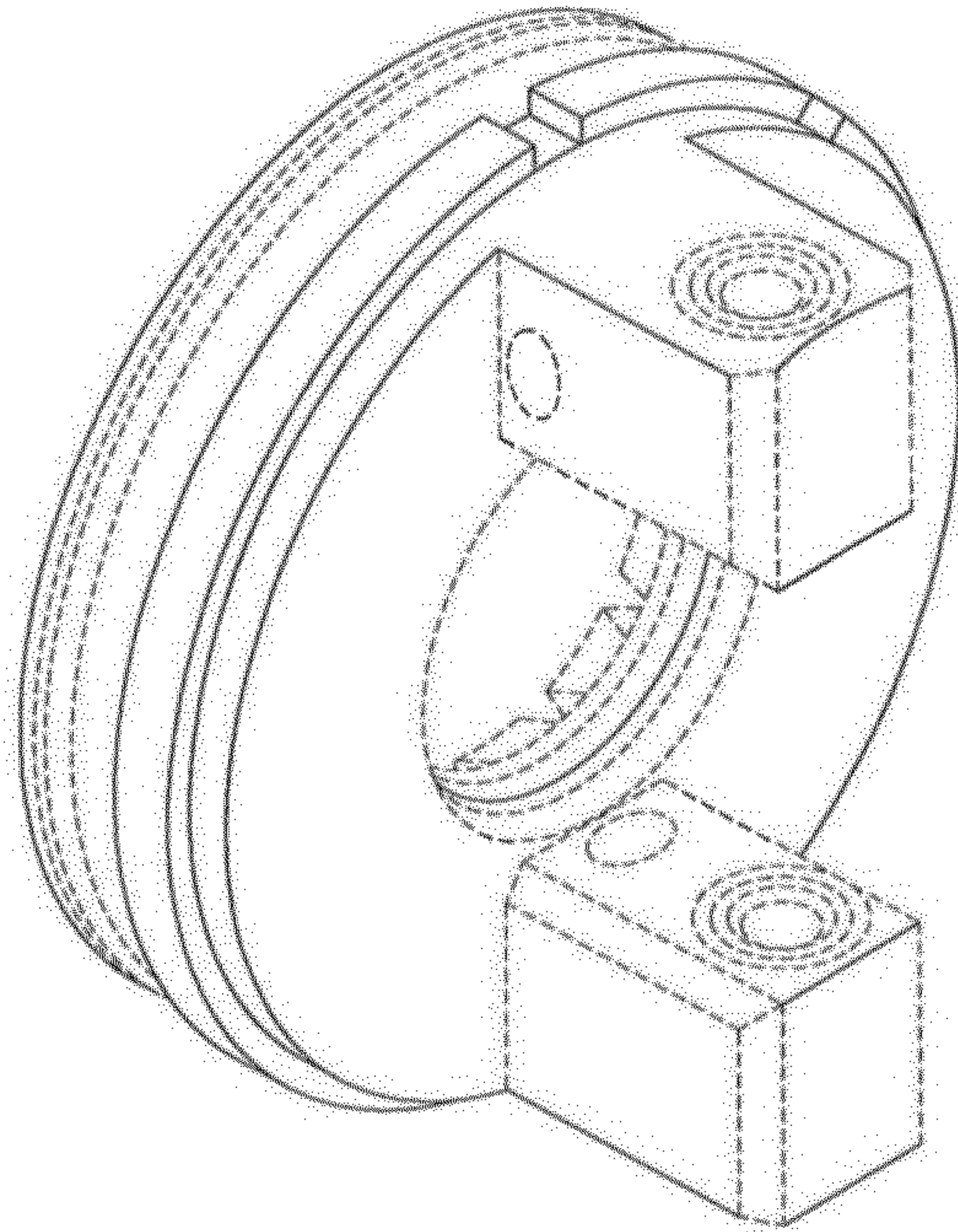


FIG. 5

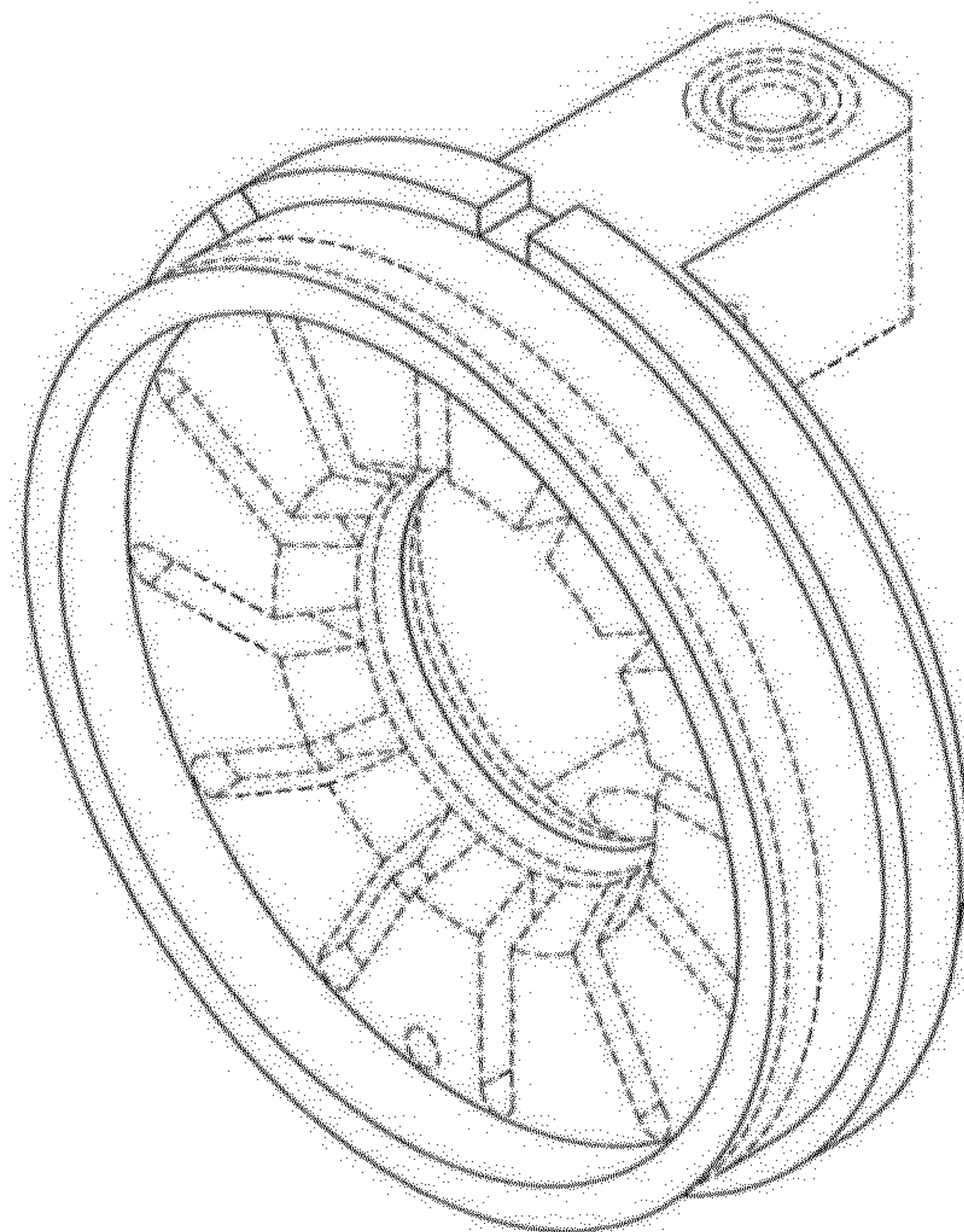


FIG. 6