

US00D755860S

(12) **United States Design Patent**  
**Busato**

(10) **Patent No.:** **US D755,860 S**  
(45) **Date of Patent:** **\*\* May 10, 2016**

(54) **STEREOLITHOGRAPHY MACHINE**  
(71) Applicant: **DWS S.R.L., Zane' (Vicenza) (IT)**  
(72) Inventor: **Renzo Busato, Marano Vicentino (IT)**  
(73) Assignee: **DWS S.R.L., Zane' (Vicenza) (IT)**  
(\*\*) Term: **14 Years**  
(21) Appl. No.: **29/477,188**  
(22) Filed: **Dec. 19, 2013**

D420,371 S 2/2000 Strong et al.  
D432,160 S 10/2000 Kabumoto et al.  
6,764,636 B1 7/2004 Allanic et al.  
6,799,959 B1 10/2004 Tochimoto et al.  
D501,502 S 2/2005 Scully et al.  
D506,465 S 6/2005 Geeng  
D598,906 S 8/2009 Chiba et al.  
D602,019 S 10/2009 Wang et al.  
7,713,048 B2 5/2010 Perret et al.  
D619,649 S \* 7/2010 Chen ..... D18/57  
7,850,885 B2 12/2010 Philippi et al.  
7,879,393 B2 2/2011 Ederer et al.  
7,931,462 B2 4/2011 Mattes  
D648,783 S \* 11/2011 Mathea ..... D18/53

(Continued)

(30) **Foreign Application Priority Data**  
Jul. 31, 2013 (EM) ..... 002248133-0001  
(51) **LOC (10) Cl.** ..... **15-09**  
(52) **U.S. Cl.**  
USPC ..... **D15/122**  
(58) **Field of Classification Search**  
USPC ..... D18/53, 59, 50, 14, 19, 54, 36-37;  
D14/301; D15/122, 135-137, 141;  
D19/68  
CPC ..... B41J 3/4073; B41F 19/08; B28B 1/001;  
B29C 67/0051; B29C 67/0055; B29C 67/0059  
See application file for complete search history.

**FOREIGN PATENT DOCUMENTS**

CN 302836691 \* 6/2014  
WO 2010/045950 A1 4/2010

*Primary Examiner* — Bridget L Eland  
*Assistant Examiner* — Lauren McVey  
(74) *Attorney, Agent, or Firm* — Husch Blackwell LLP

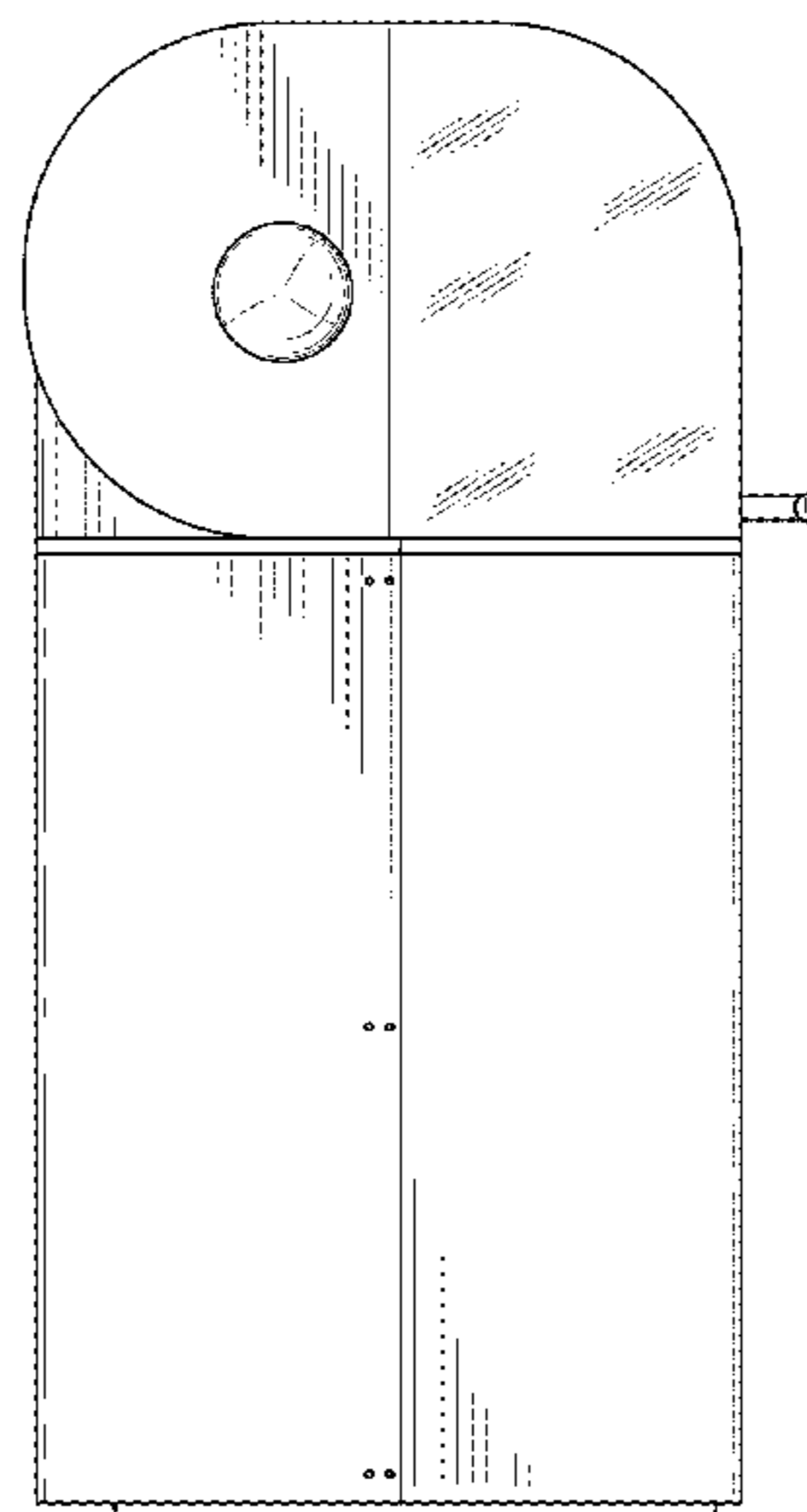
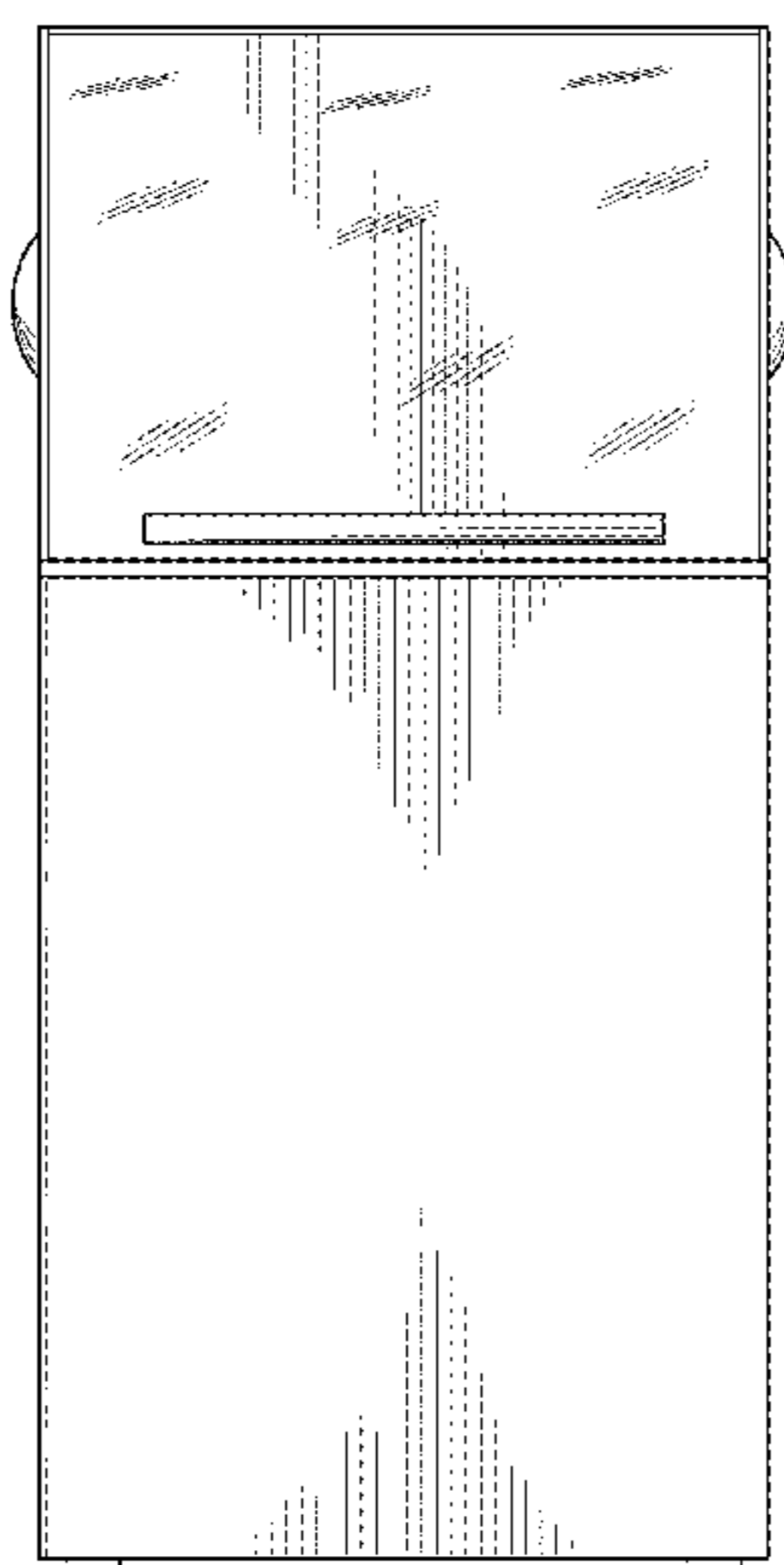
(57) **CLAIM**  
The ornamental design for a stereolithography machine, as shown and described.

**DESCRIPTION**

FIG. 1 is a left front perspective view of a stereolithography machine showing my new design;  
FIG. 2 is a front elevational view thereof;  
FIG. 3 is a rear elevational view thereof;  
FIG. 4 is a left side elevational view thereof, the right side being the mirror image thereof; and,  
FIG. 5 is a top plan view thereof.  
The broken lines immediately adjacent to the shaded areas, encompassing unshaded regions, represent unclaimed boundaries of the claimed design, while all other broken lines are directed to environment and are for illustrative purposes only; the broken lines form no part of the claimed design.

**1 Claim, 4 Drawing Sheets**

(56) **References Cited**  
**U.S. PATENT DOCUMENTS**  
D114,842 S \* 5/1939 Curtis ..... D18/53  
2,170,133 A \* 8/1939 Eitzen ..... 40/514  
D250,019 S 10/1978 Pycha et al.  
D258,131 S \* 2/1981 Genaro et al. .... D14/472  
D294,785 S \* 3/1988 Dickson ..... D6/643  
D297,141 S \* 8/1988 Goodlander ..... D18/59  
D298,943 S 12/1988 Haager et al.  
D308,221 S 5/1990 Kojima  
5,238,614 A 8/1993 Uchinono et al.  
D340,257 S \* 10/1993 Ishida et al. .... D18/53  
D341,827 S 11/1993 Lai et al.  
D363,734 S 10/1995 Bianco et al.



(56)

**References Cited**

U.S. PATENT DOCUMENTS

8,070,474 B2 12/2011 Abe et al.  
8,083,513 B2 12/2011 Montero-Escuder et al.  
D655,422 S \* 3/2012 Oonuma ..... D24/216  
D655,823 S \* 3/2012 Oonuma ..... D24/216  
D677,723 S 3/2013 Buel et al.  
8,469,692 B2 6/2013 Kritchman et al.

D686,276 S \* 7/2013 Kurihara et al. .... D18/53  
D688,741 S 8/2013 Joyce  
D724,658 S \* 3/2015 Sakai ..... D18/53  
D732,586 S \* 6/2015 Chen et al. .... D15/122  
D732,587 S \* 6/2015 Hsu et al. .... D15/122  
D736,838 S \* 8/2015 Costabeber ..... D15/122  
2010/0043698 A1 \* 2/2010 Bolt ..... 118/46  
2011/0310370 A1 12/2011 Rohner et al.  
2013/0337100 A1 12/2013 Costabeber

\* cited by examiner

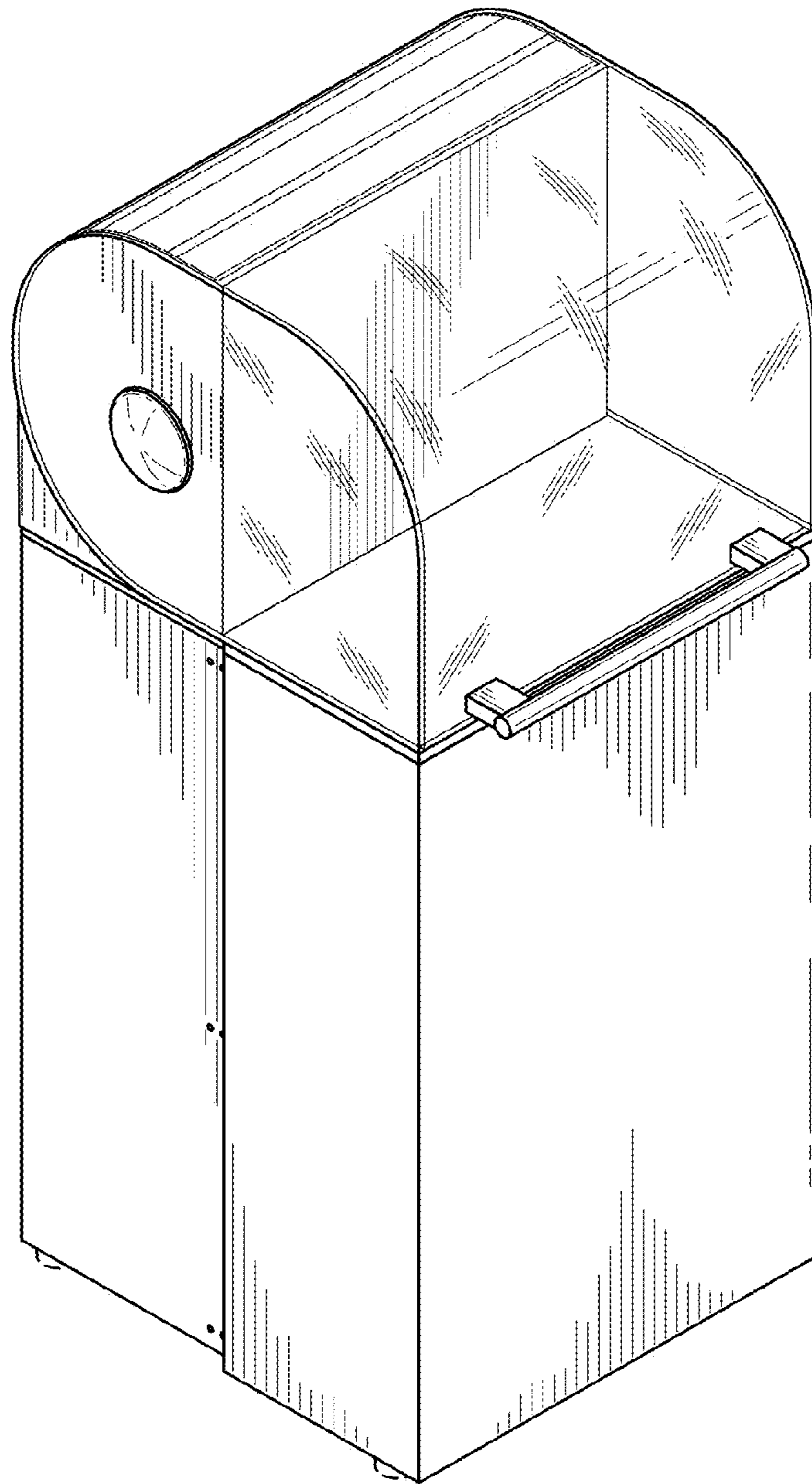


FIG. 1

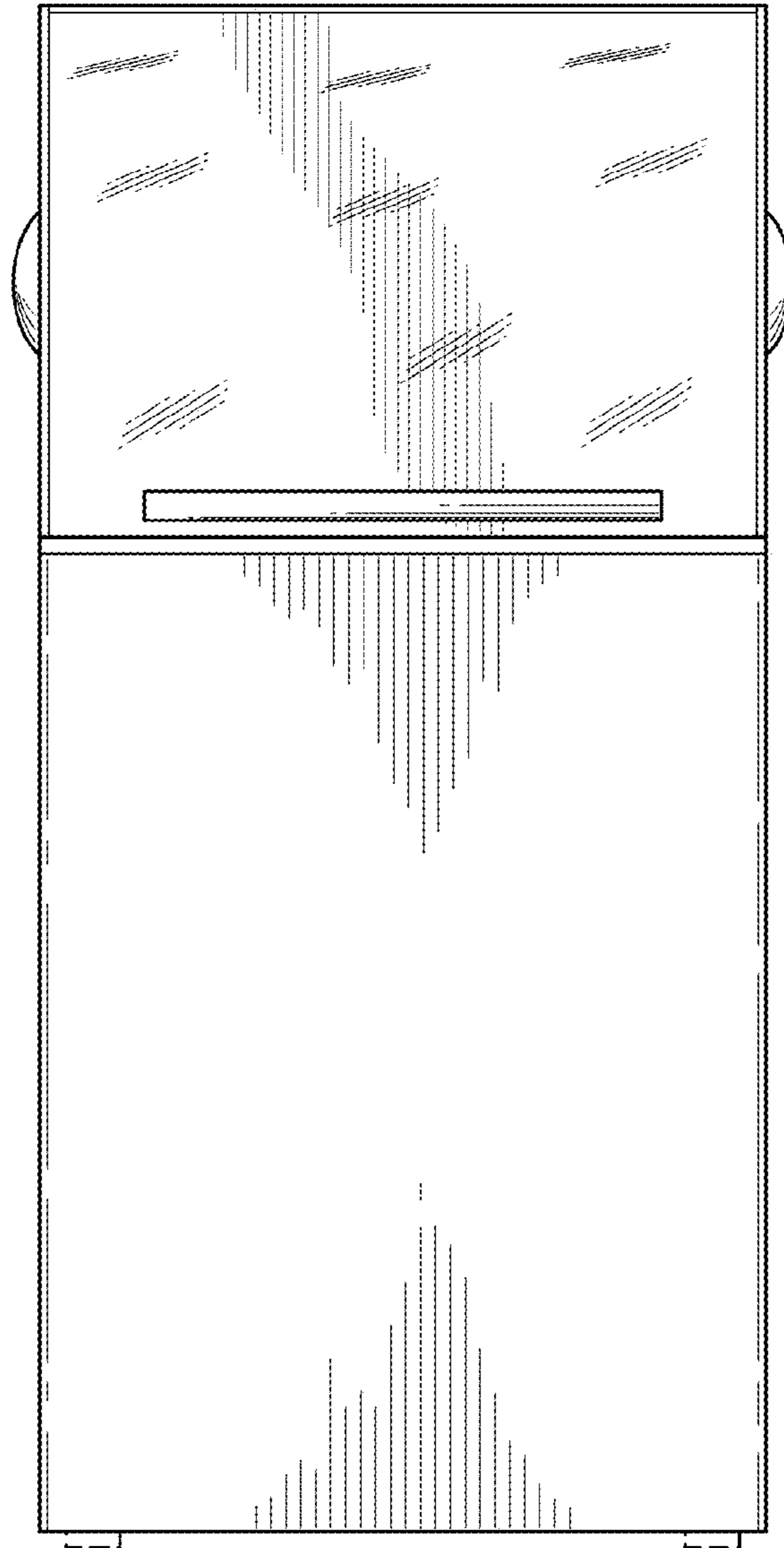


FIG. 2

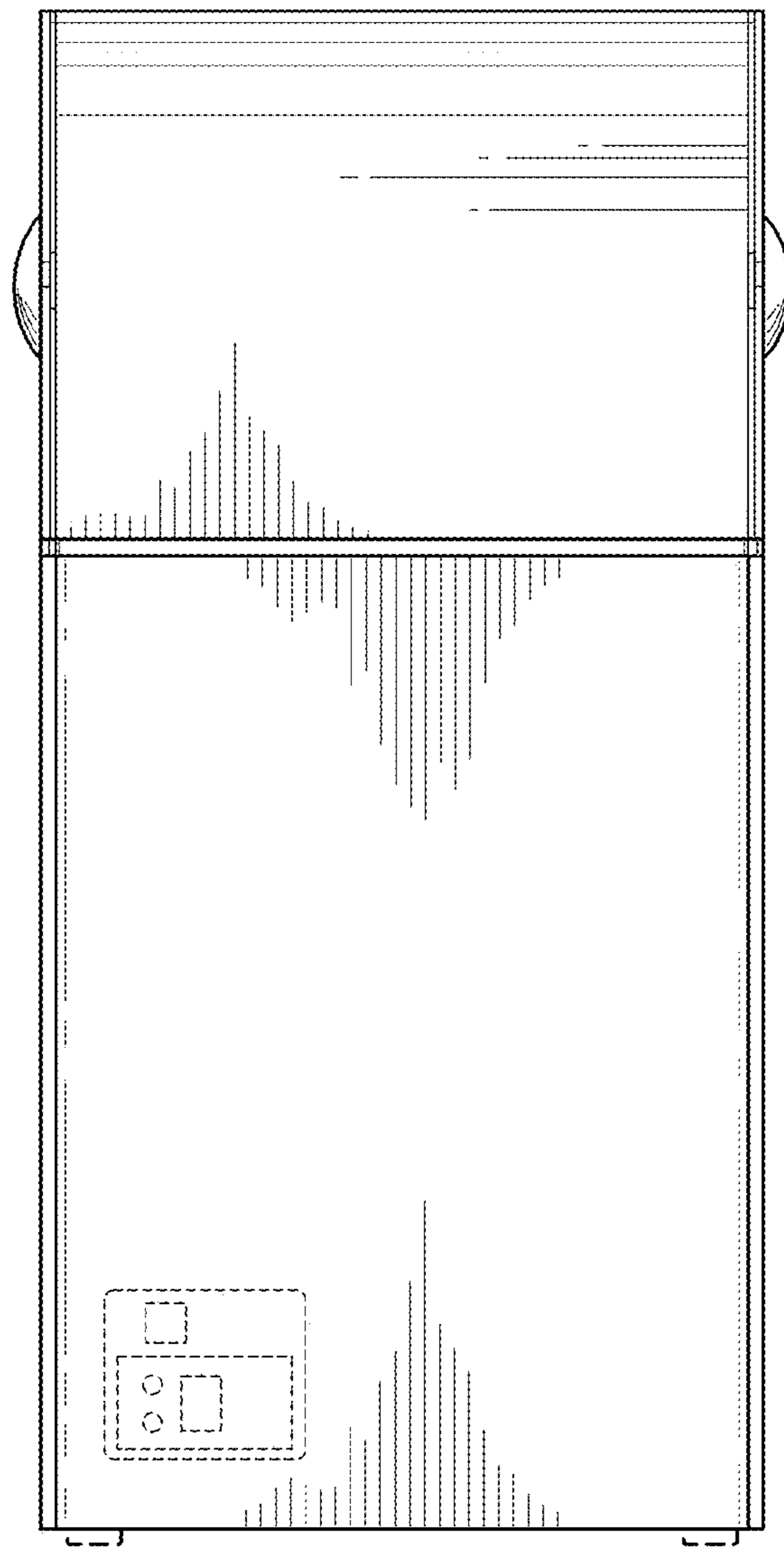


FIG. 3

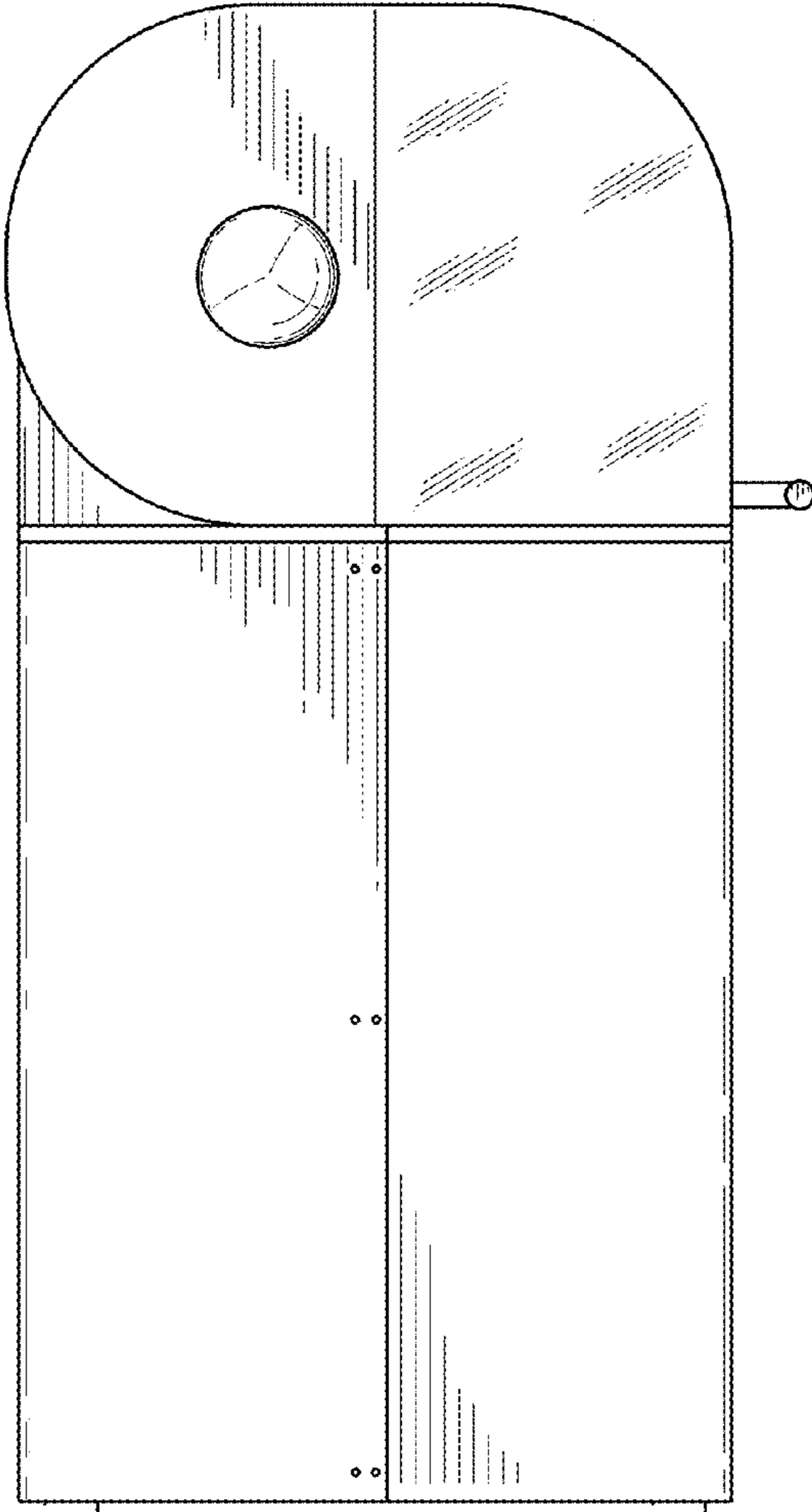


FIG. 4

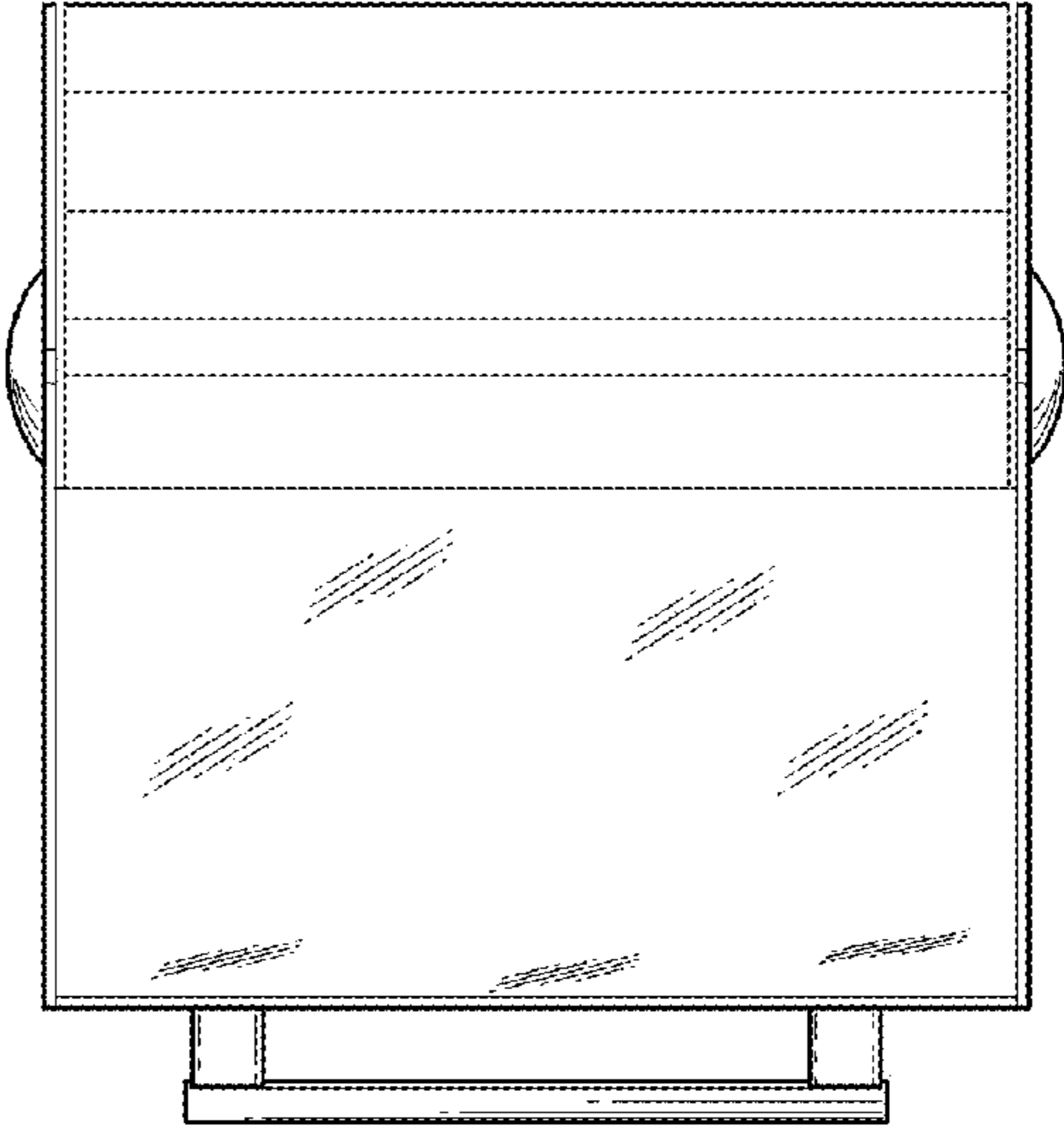


FIG. 5