



US00D755859S

(12) **United States Design Patent**  
**Loew**

(10) **Patent No.:** **US D755,859 S**  
(45) **Date of Patent:** **\*\* May 10, 2016**

(54) **MILLING MACHINE**  
(71) Applicant: **BOMAG GmbH**, Boppard (DE)  
(72) Inventor: **Roland Loew**, Klein-Winternheim (DE)  
(73) Assignee: **BOMAG GmbH**, Boppard (DE)  
(\*\*) Term: **14 Years**  
(21) Appl. No.: **29/517,376**  
(22) Filed: **Feb. 12, 2015**

(30) **Foreign Application Priority Data**  
Aug. 12, 2014 (EM) ..... 002518589-0010  
Aug. 12, 2014 (EM) ..... 002518589-0011  
(51) **LOC (10) Cl.** ..... **12-09**  
(52) **U.S. Cl.**  
USPC ..... **D15/24**  
(58) **Field of Classification Search**  
USPC ..... D15/22-26, 10; 299/398; 37/381, 18 R,  
37/392, 388; 404/90-92, 84.05, 84.1,  
404/84.2, 84.5, 84.8, 83  
CPC ..... E01C 19/004; E01C 23/88; E01C 23/088;  
E01C 23/16; E01C 23/00; E01C 2301/50;  
B28D 1/18; B28D 1/186  
See application file for complete search history.

(56) **References Cited**  
**U.S. PATENT DOCUMENTS**  
D258,887 S \* 4/1981 Swisher, Jr. .... D15/22  
4,325,580 A \* 4/1982 Swisher, Jr. .... B28D 1/186  
299/39.8  
4,938,537 A \* 7/1990 Rife, Jr. .... E01C 23/088  
172/112  
5,190,398 A \* 3/1993 Swisher, Jr. .... B62D 33/0633  
172/435

5,639,181 A \* 6/1997 Swisher, Jr. .... B60C 7/00  
152/323  
7,144,192 B2 \* 12/2006 Holl ..... E01C 23/088  
404/122  
D626,573 S \* 11/2010 Koetting ..... D15/22  
D635,593 S \* 4/2011 Berning ..... D15/28  
D642,599 S \* 8/2011 Busley ..... D15/28  
D660,876 S \* 5/2012 Ewringmann ..... D15/22  
2005/0093282 A1 \* 5/2005 Gaertner ..... E01C 23/08  
280/775  
2008/0152428 A1 \* 6/2008 Berning ..... E01C 23/088  
404/84.1

\* cited by examiner

*Primary Examiner* — Mark Goodwin

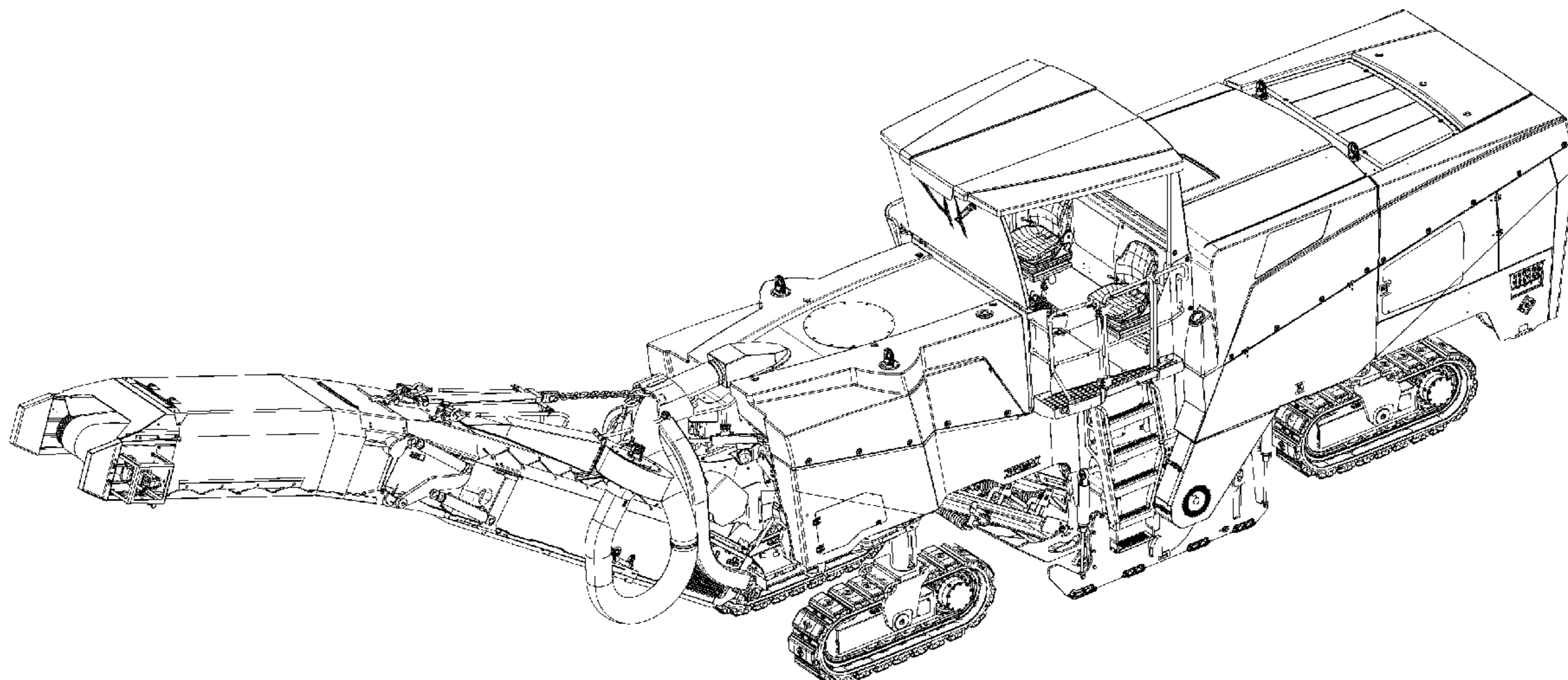
(74) *Attorney, Agent, or Firm* — Wood, Herron & Evans, LLP

(57) **CLAIM**  
The ornamental design for a milling machine, as shown and described.

**DESCRIPTION**

FIG. 1 is a left side elevational view of my new milling machine design with roof open;  
FIG. 2 is a right side elevational view thereof;  
FIG. 3 is a front elevational view thereof;  
FIG. 4 is a rear elevational view thereof;  
FIG. 5 is a top plan view thereof;  
FIG. 6 is a bottom plan view thereof;  
FIG. 7 is a front left perspective view with roof open thereof;  
FIG. 8 is a rear left perspective view with roof open thereof;  
FIG. 9 is a front right perspective view thereof;  
FIG. 10 is a rear right perspective view thereof;  
FIG. 11 is a front left perspective view with roof closed thereof;  
FIG. 12 is a rear left perspective view with roof closed thereof; and,  
FIG. 13 is a left side elevational view with roof closed thereof.

**1 Claim, 12 Drawing Sheets**



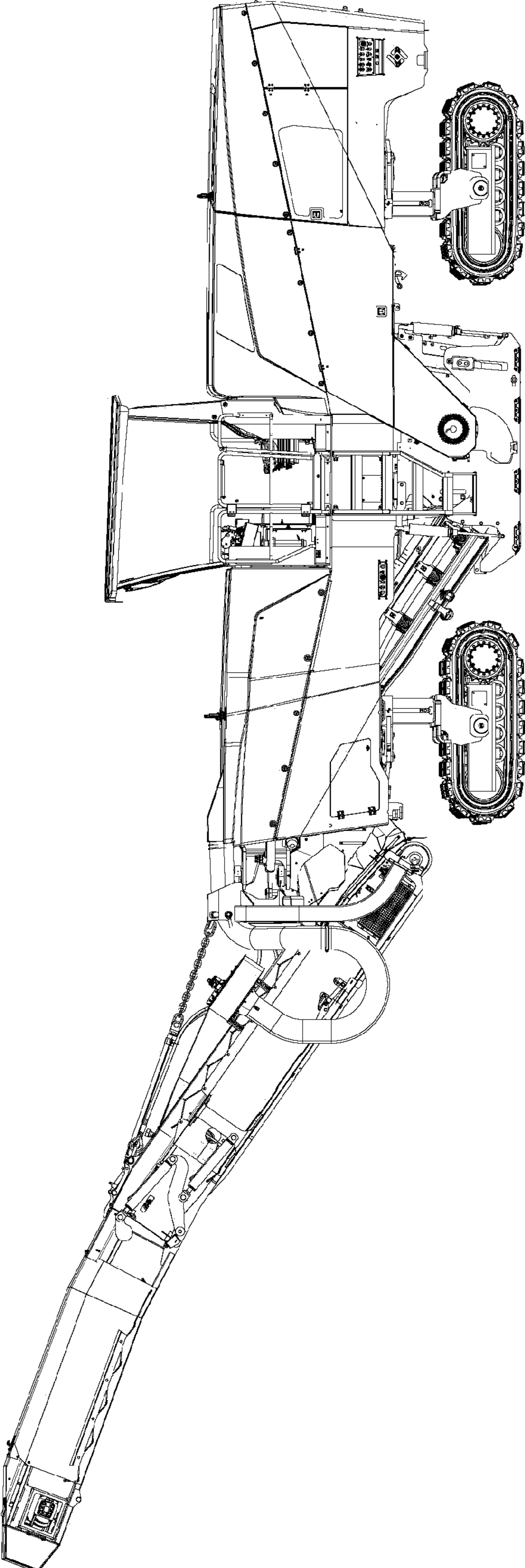


FIG. 1



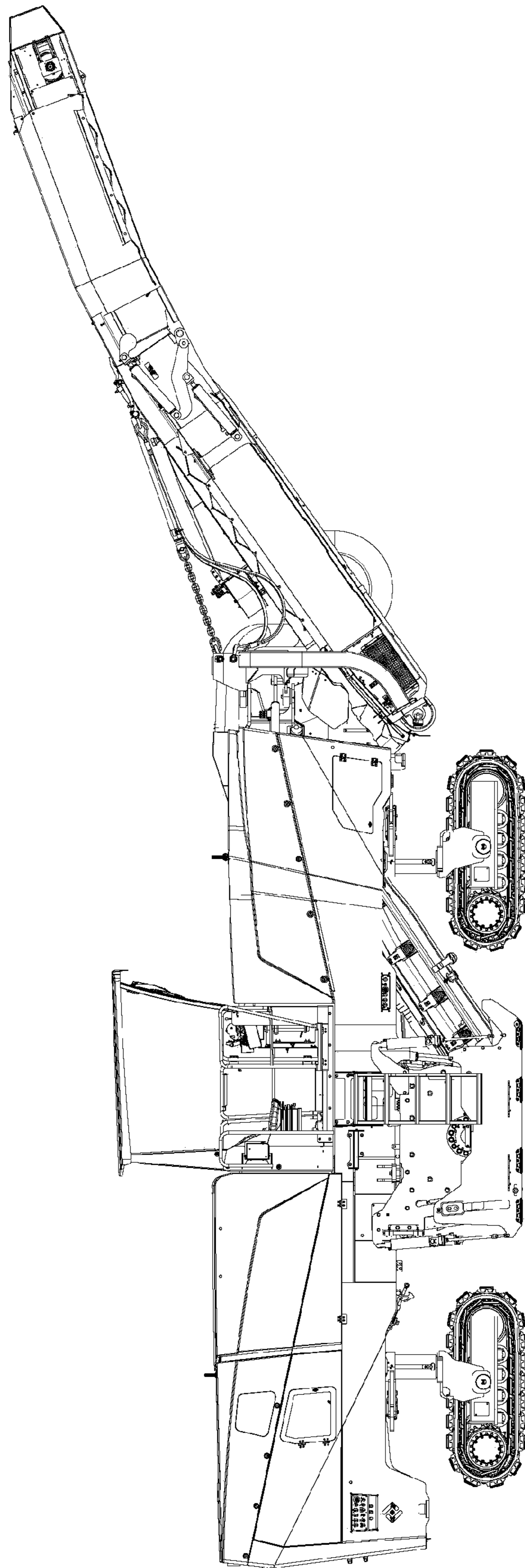


FIG. 2

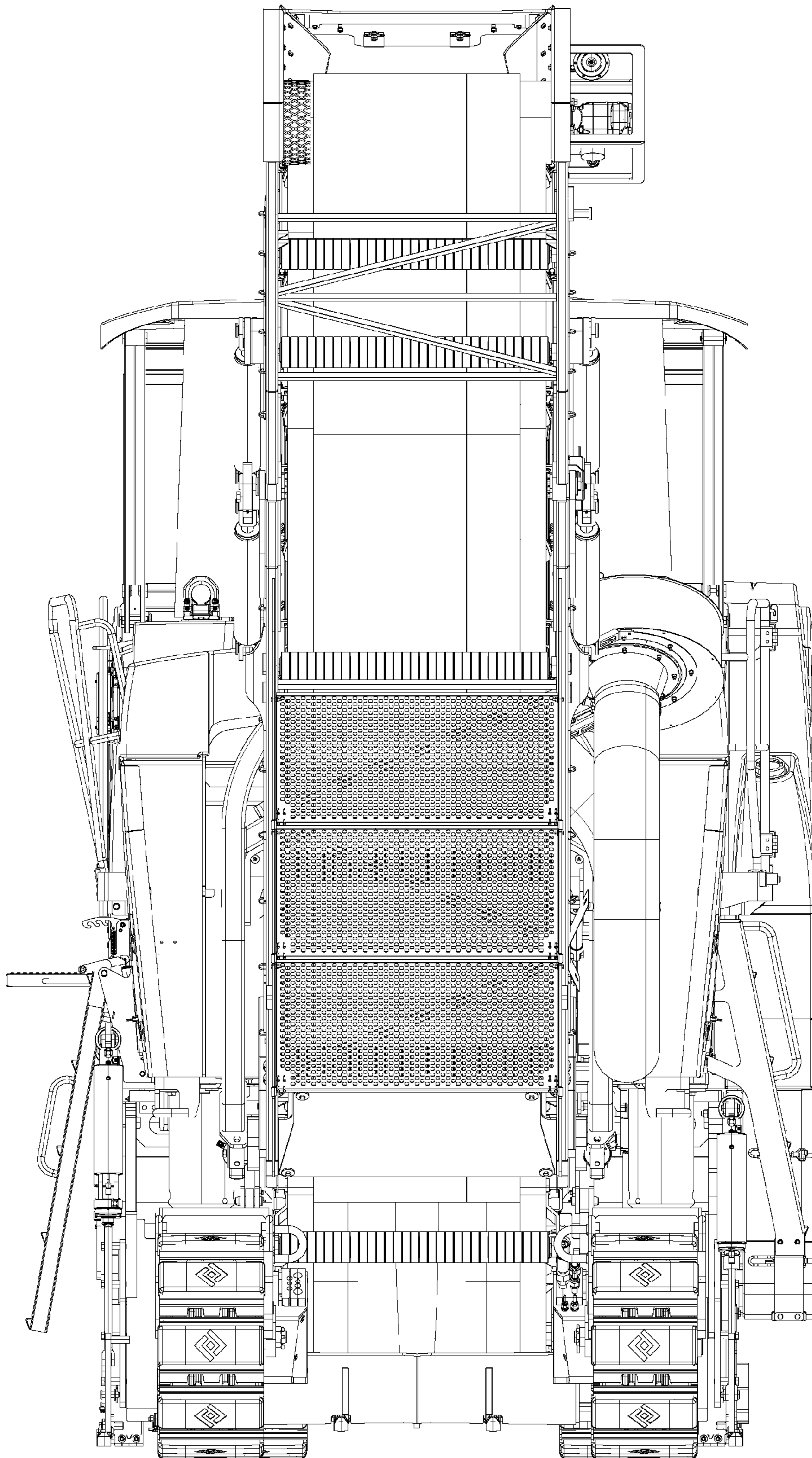


FIG. 3

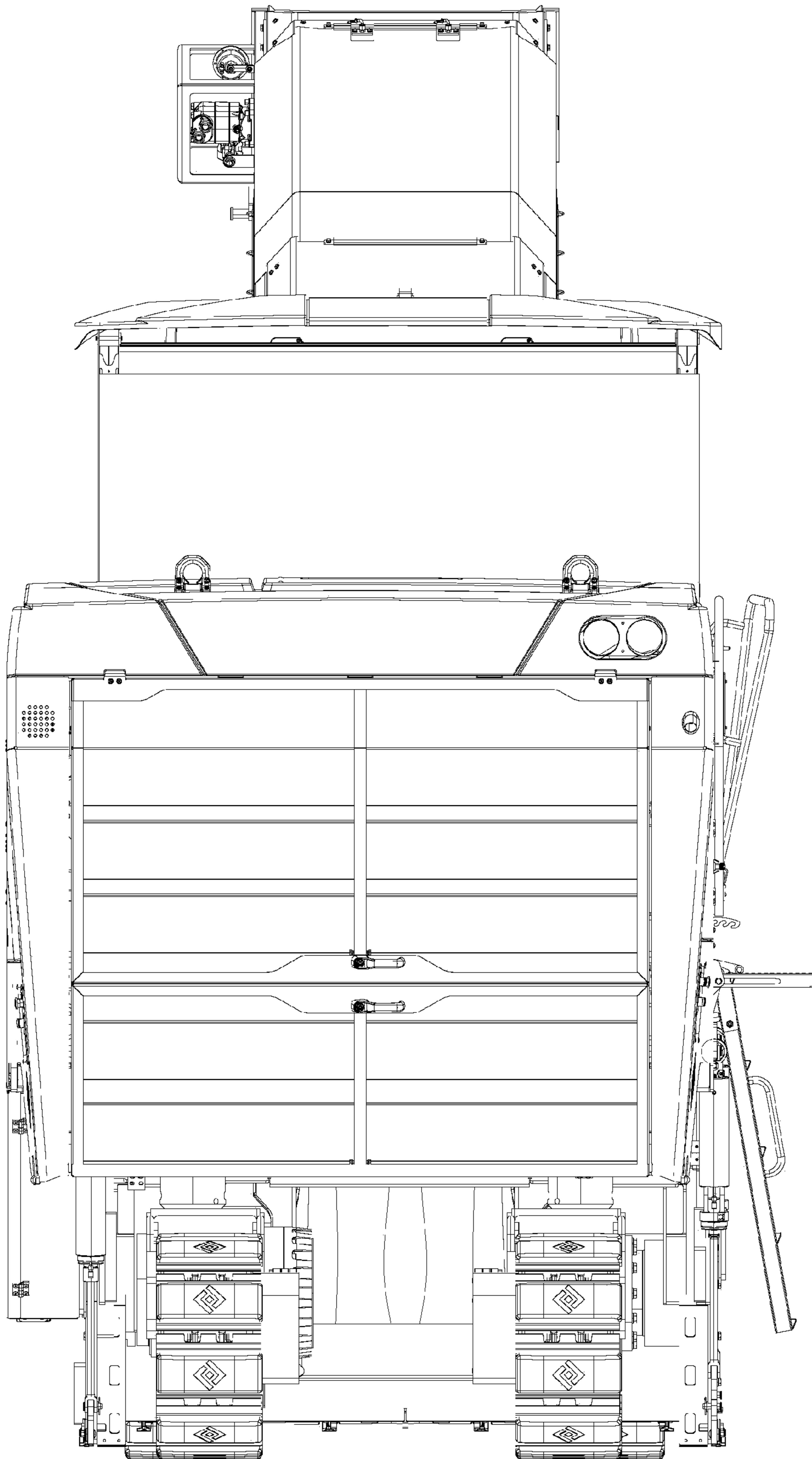


FIG. 4



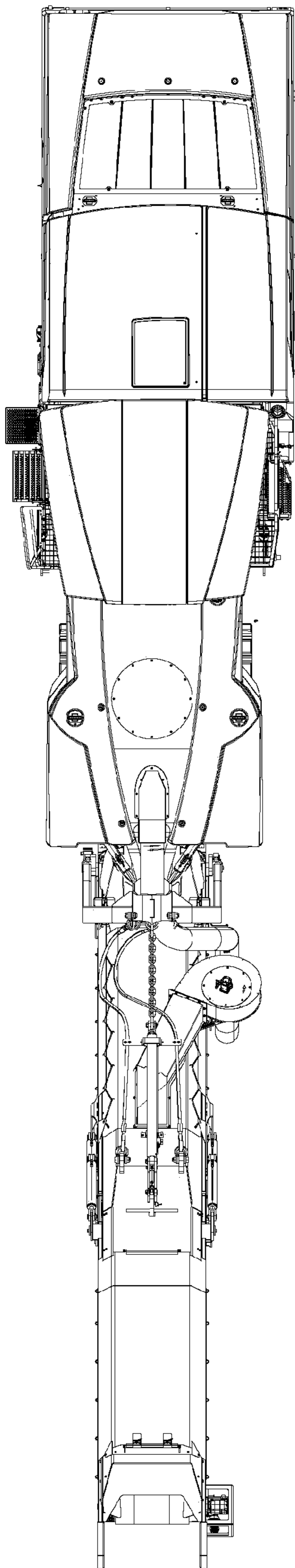


FIG. 5

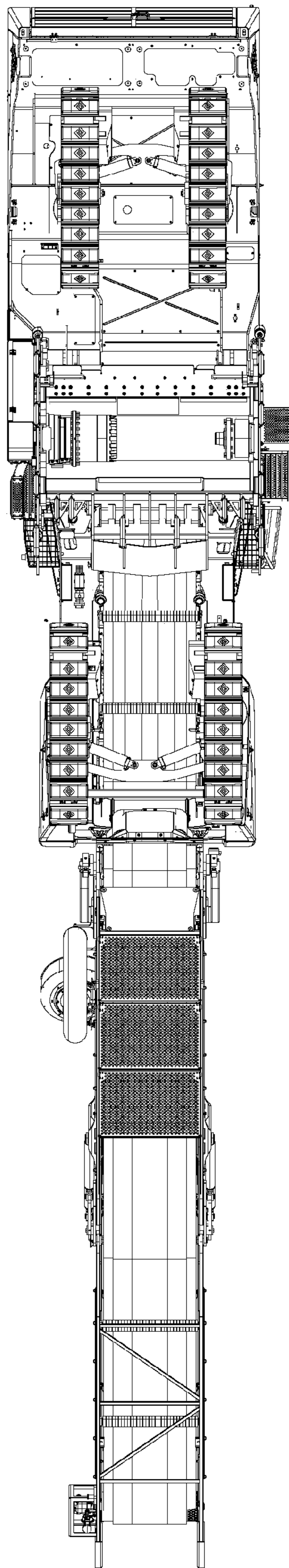


FIG. 6

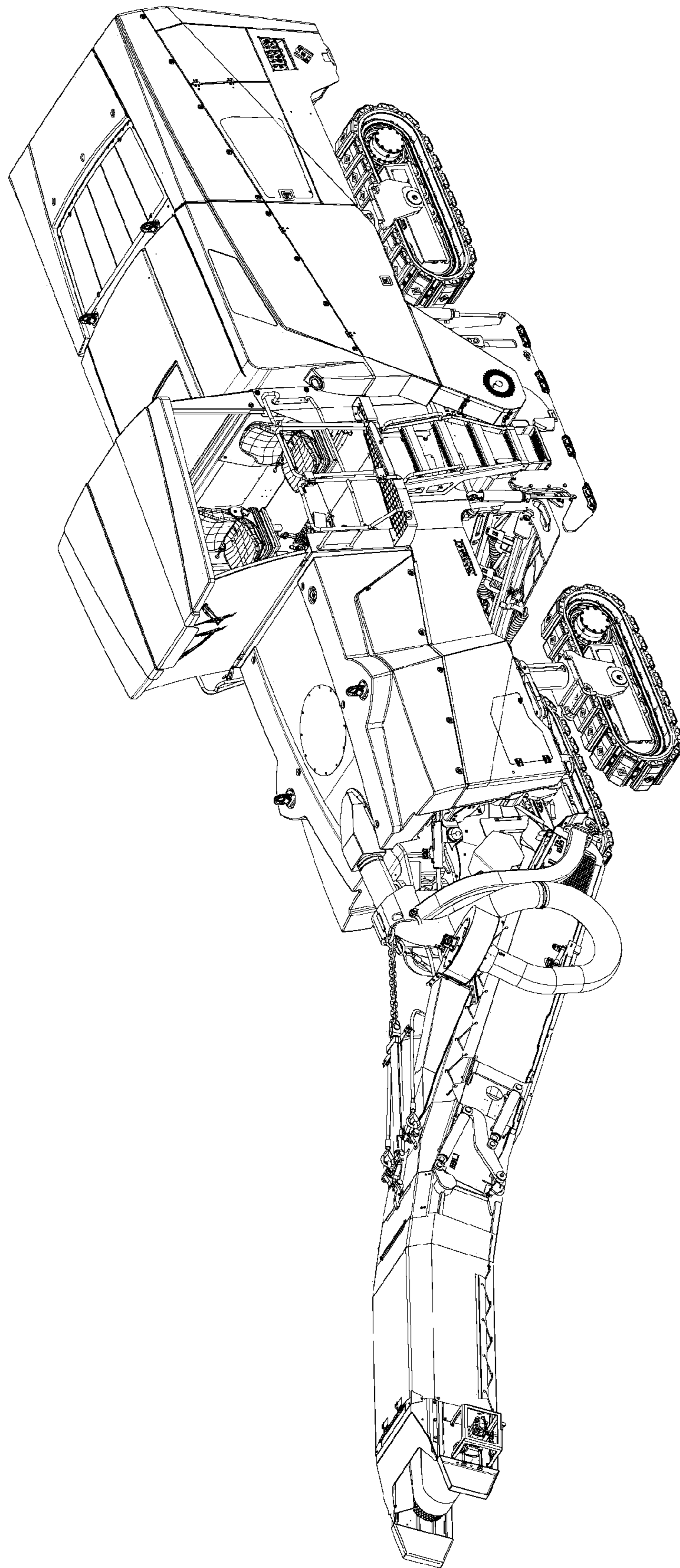


FIG. 7



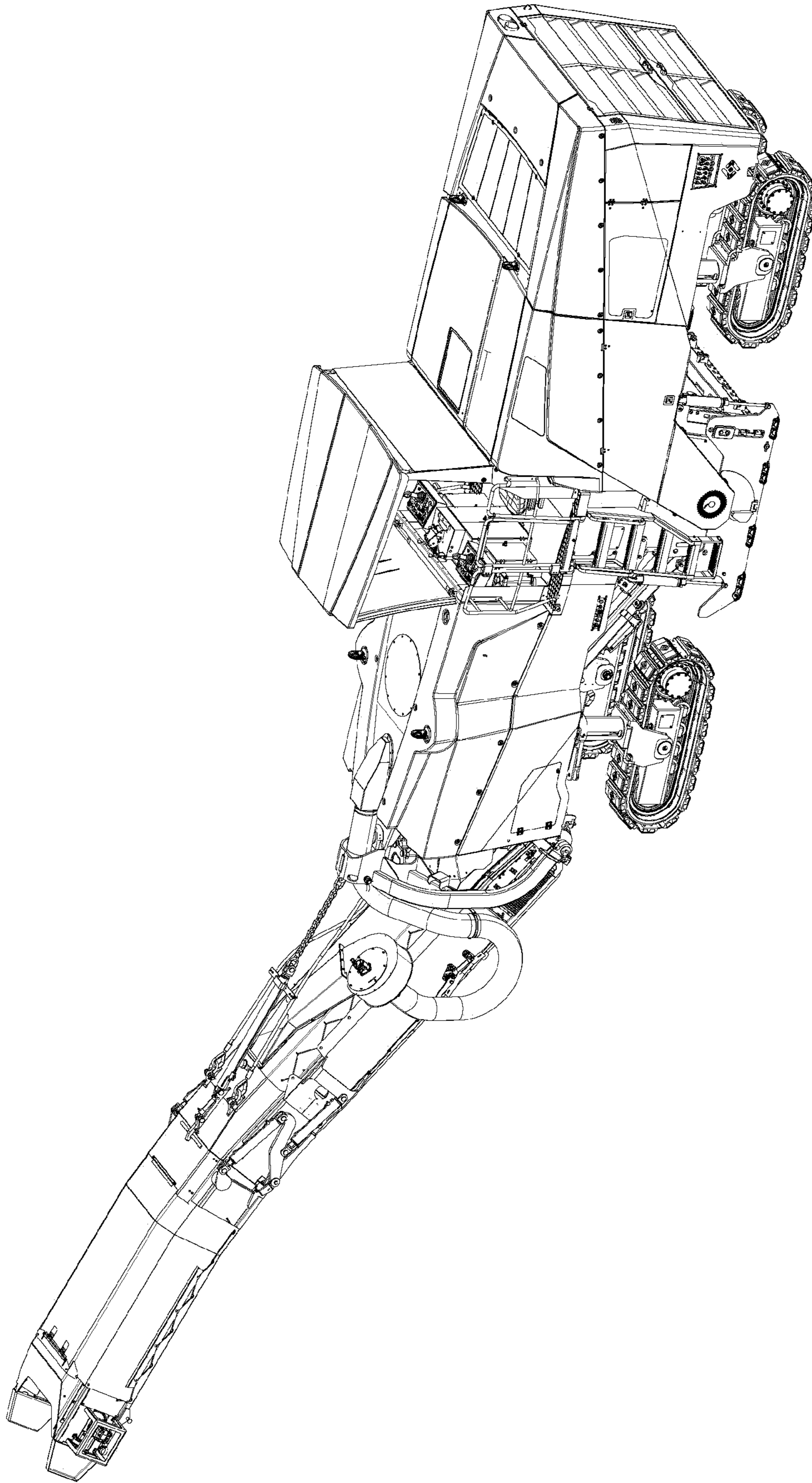


FIG. 8



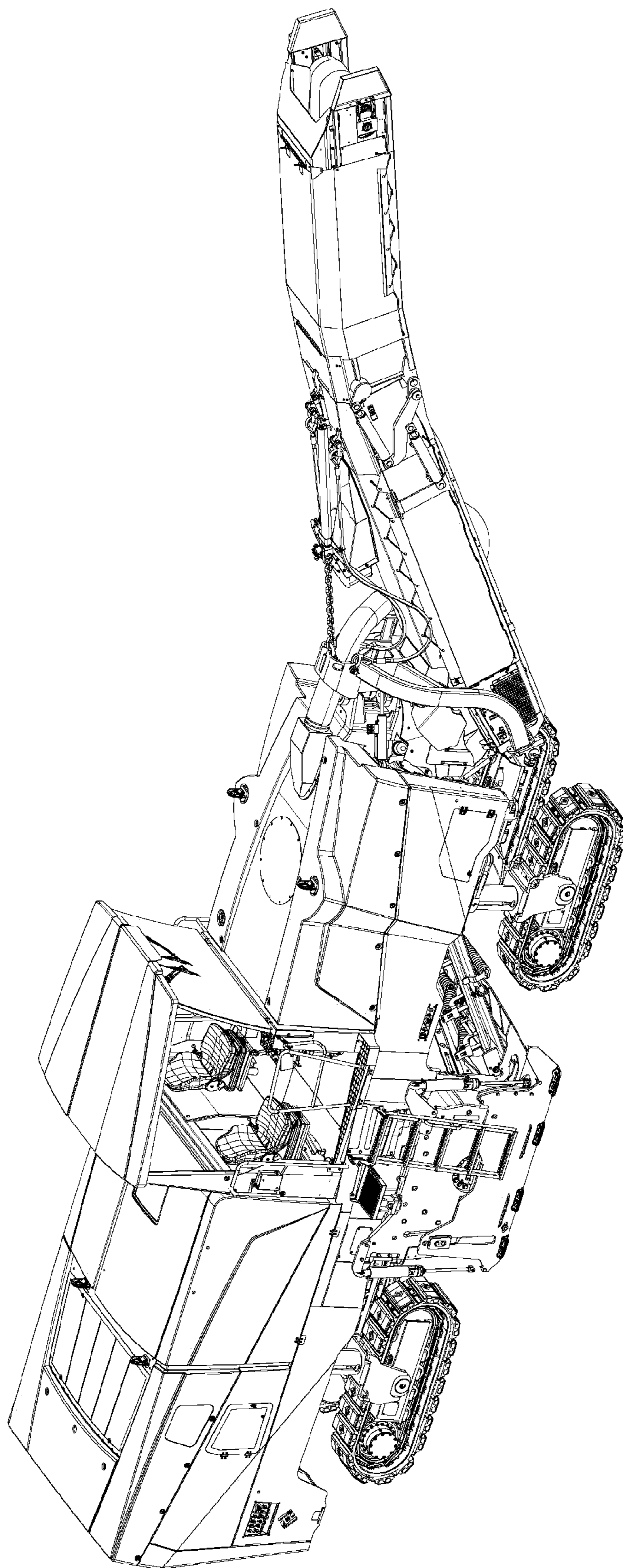


FIG. 9

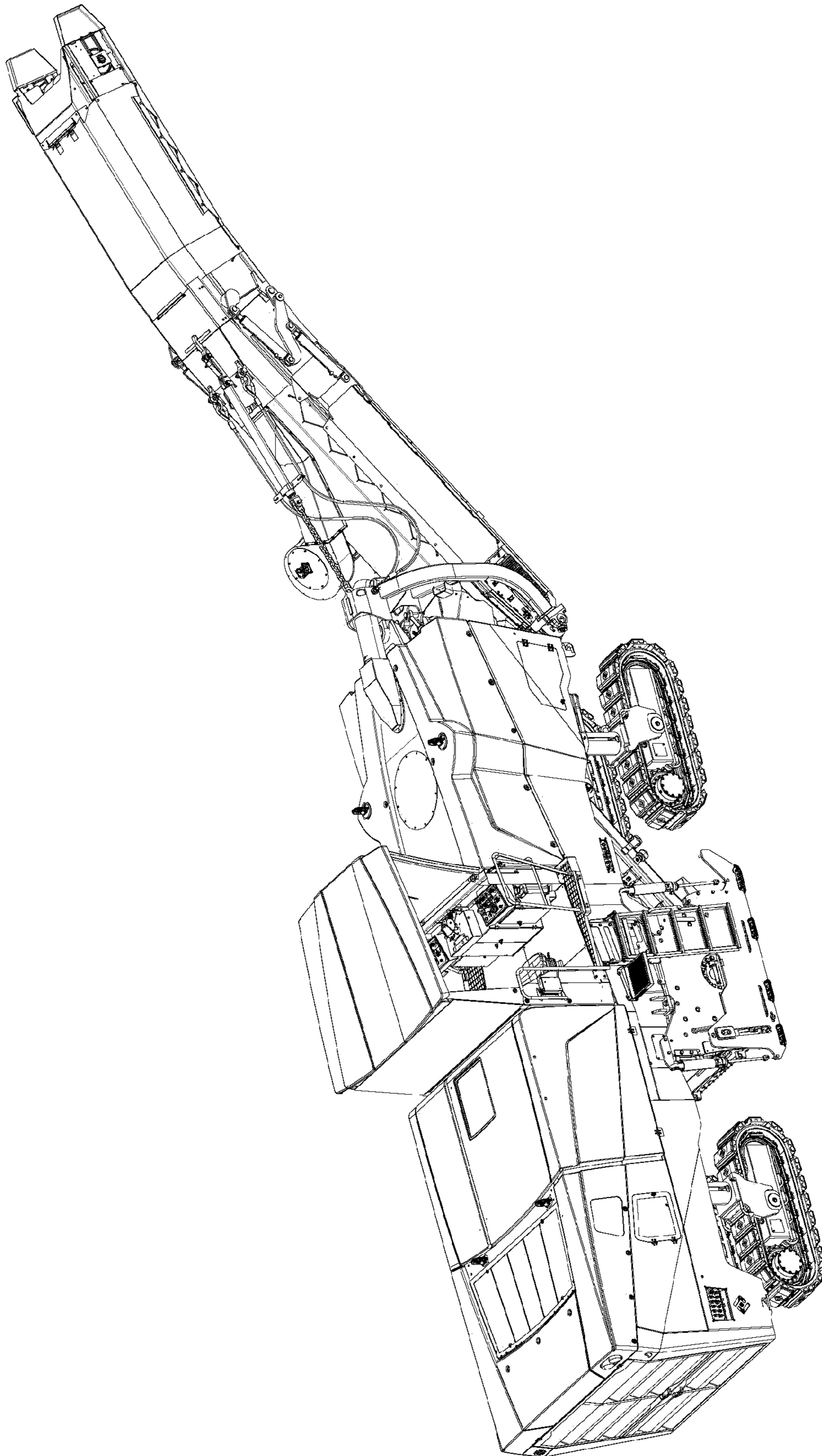


FIG. 10



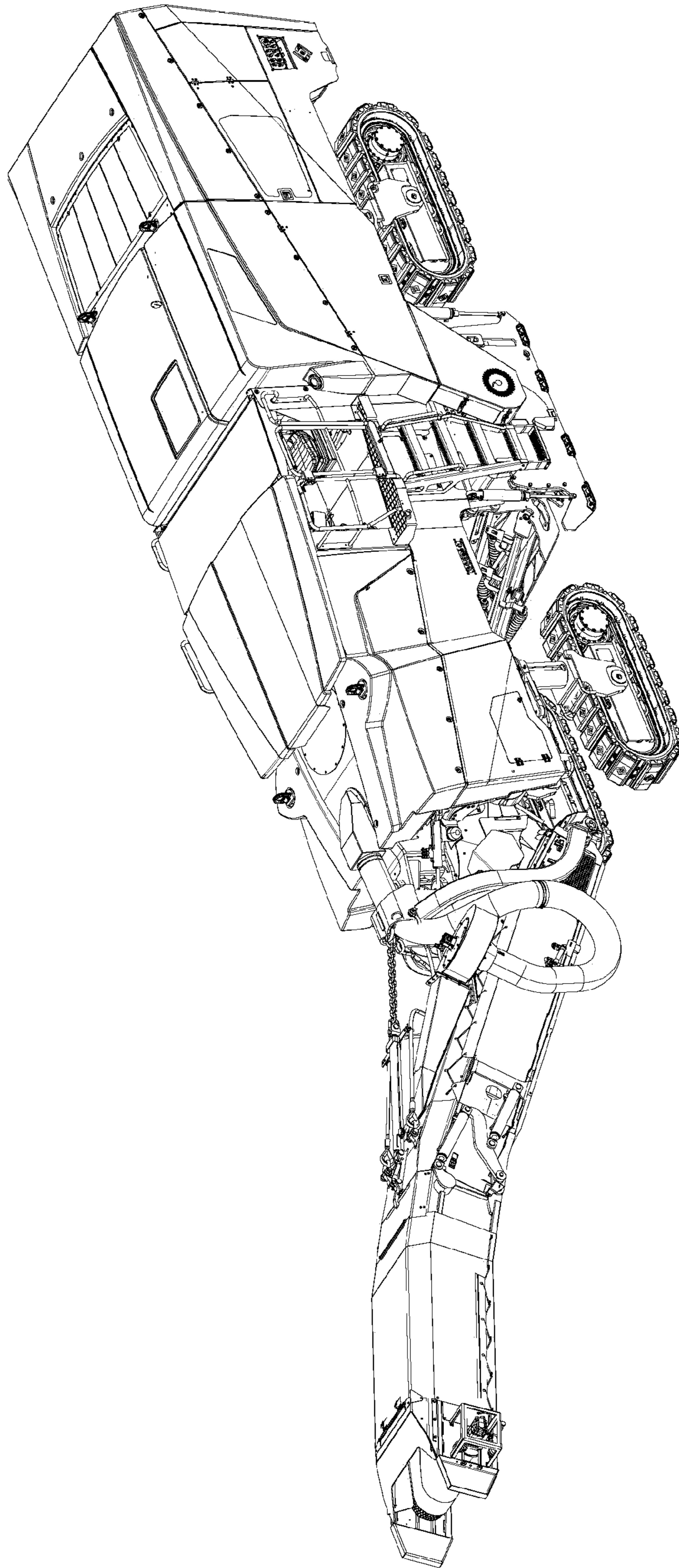


FIG. 11

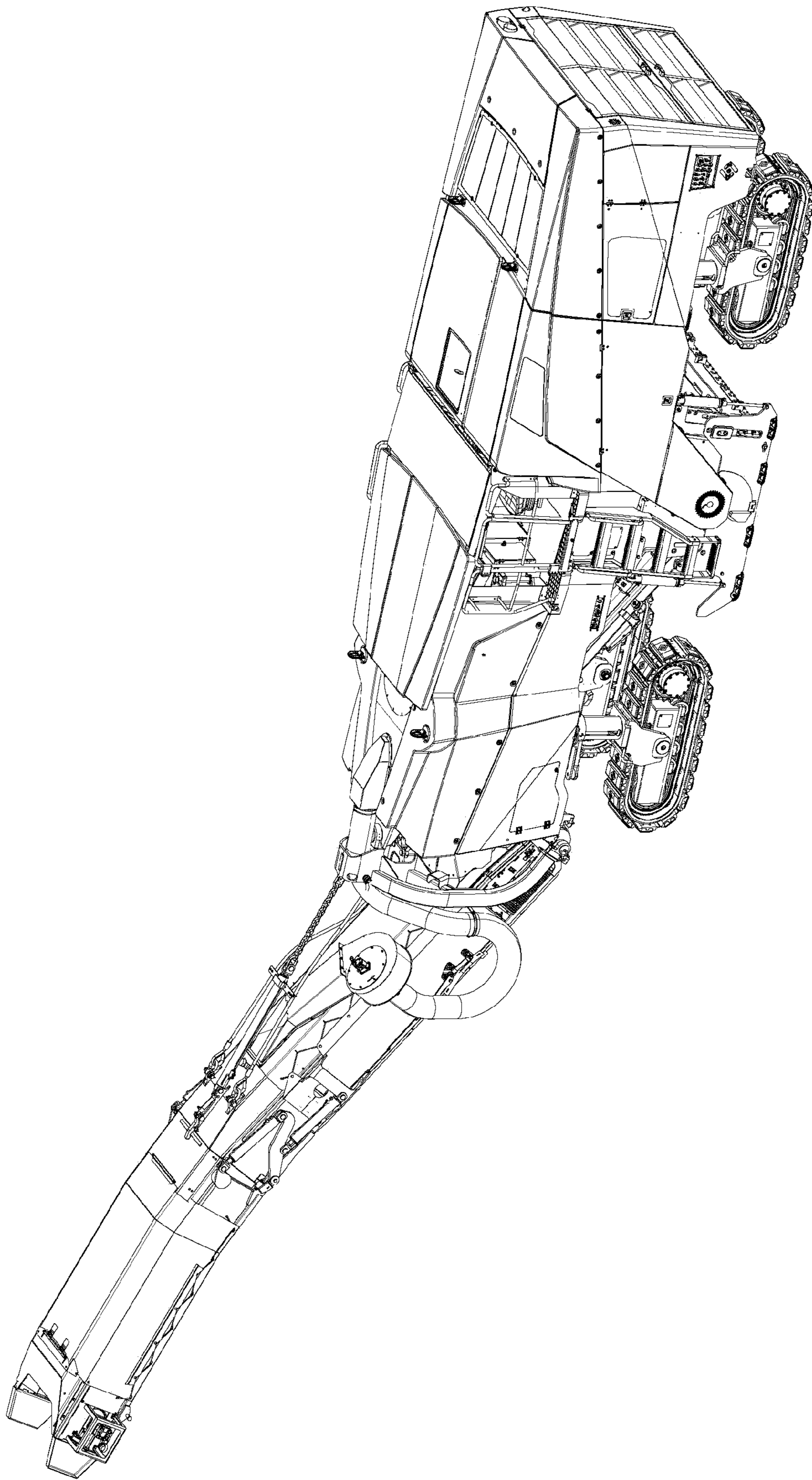


FIG. 12



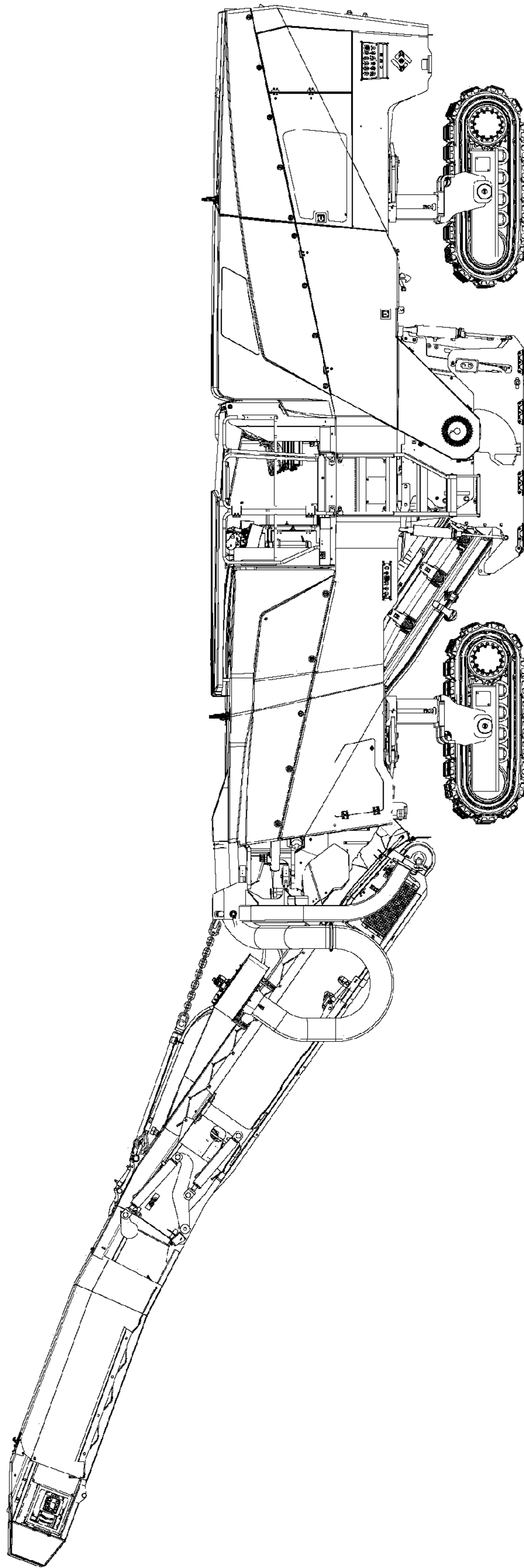


FIG. 13