



US00D755808S

(12) **United States Design Patent**  
**Kim et al.**

(10) **Patent No.:** **US D755,808 S**  
(45) **Date of Patent:** **\*\* May 10, 2016**

(54) **DISPLAY SCREEN OR PORTION THEREOF WITH ICON**

(71) Applicant: **Samsung Electronics Co., Ltd.**,  
Suwon-si (KR)  
(72) Inventors: **Young Sun Kim**, Suwon-si (KR); **Heui Jin Kwon**, Seongnam-si (KR)

(73) Assignee: **SAMSUNG ELECTRONICS CO., LTD.**, Suwon-Si, Gyeonggi-Do (KR)

(\*\*) Term: **14 Years**

(21) Appl. No.: **29/493,614**

(22) Filed: **Jun. 11, 2014**

(30) **Foreign Application Priority Data**

Dec. 30, 2013 (KR) ..... 30-2013-0066090

(51) **LOC (10) Cl.** ..... **14-04**

(52) **U.S. Cl.**  
USPC ..... **D14/485**

(58) **Field of Classification Search**  
USPC ..... D14/485-495  
CPC G06F 2203/04803-2203/04805; G06F 17/24;  
G06F 17/30056; G06F 3/04845; H04N  
1/00198; H04N 21/234336; G06T 13/80;  
G06Q 10/109; G06Q 10/06; H04M 3/5175  
See application file for complete search history.

(56) **References Cited**

**U.S. PATENT DOCUMENTS**

- 6,151,023 A \* 11/2000 Chari ..... G06F 9/4411  
709/223
- D462,362 S \* 9/2002 Sturm ..... D14/489
- D464,060 S \* 10/2002 Sturm ..... D14/489
- D471,205 S \* 3/2003 Lane ..... D14/489
- D471,227 S \* 3/2003 Gray ..... D14/488
- D536,344 S \* 2/2007 Armstrong ..... D14/489
- D550,248 S \* 9/2007 Jewitt ..... D14/492
- D580,951 S \* 11/2008 Niizawa ..... D14/491
- D609,244 S \* 2/2010 Seo ..... D14/488
- D650,794 S \* 12/2011 Pereira ..... D14/491
- D657,797 S \* 4/2012 O'Donnell ..... D14/492
- 8,181,111 B1 \* 5/2012 Onyon ..... G06Q 50/01  
345/169
- D662,946 S \* 7/2012 Steele ..... D14/492
- D667,448 S \* 9/2012 Phelan ..... D14/492

- D677,273 S \* 3/2013 Randall ..... D14/492
- D683,360 S \* 5/2013 Phelan ..... D14/491
- D702,711 S \* 4/2014 Abratowski ..... D14/489
- D709,913 S \* 7/2014 Hurd ..... D14/491
- D745,044 S \* 12/2015 Chambers ..... D14/489
- 2005/0034075 A1 \* 2/2005 Riegelman ..... G09B 19/00  
715/714
- 2010/0011312 A1 \* 1/2010 Banerjee ..... G06Q 10/00  
715/772
- 2010/0185736 A1 \* 7/2010 Jayaraman ..... H04M 1/7253  
709/206
- 2010/0313169 A1 \* 12/2010 Huang ..... G06F 3/0481  
715/835
- 2011/0252124 A1 \* 10/2011 Bonner ..... H04L 67/1095  
709/224

**OTHER PUBLICATIONS**

“Import Server Icon.” Lokas Software, no posting date given (Accessed via the Internet Jan. 20, 2016). Internet URL: <https://www.awicons.com/stock-icons/xp-artistic/import-server>.\*  
 “Logos.” Media—Devolutions, Copyright 2016 (Accessed via the Internet Jan. 20, 2016). Internet URL: <http://devolutions.net/Company/Media>.\*  
 Mictoon. “Swoosh Modern Building Logo Icon Stock Vector Illustration.” Shutterstock.com, no posting date given (Accessed via the Internet Jan. 20, 2016). Internet URL: <http://www.shutterstock.com/pic.mhtml?irgwc=1&utm\_source=38919&tpl=38919-111120&utm\_campaign=Eezy%20Inc&utm\_medium=Affiliate&id=257298451>.\*

\* cited by examiner

*Primary Examiner* — Eric Goodman

*Assistant Examiner* — Rachel Voorhies

(74) *Attorney, Agent, or Firm* — Ladas & Parry LLP

(57) **CLAIM**

We claim, the ornamental design for a display screen or portion thereof with icon, as shown and described.

**DESCRIPTION**

FIG. 1 is a front view for a display screen or portion thereof with icon showing our new design; and,  
 FIG. 2 is the enlarged front view thereof, without broken lines for clarity of disclosure.  
 The dot-dash broken line immediately adjacent the solid-line portions of the design represents a boundary and forms no part of the claimed design.  
 The broken lines illustrating portions of the Display screen or portion thereof with icon are for environmental purposes only and form no part of the claimed design.

**1 Claim, 2 Drawing Sheets**

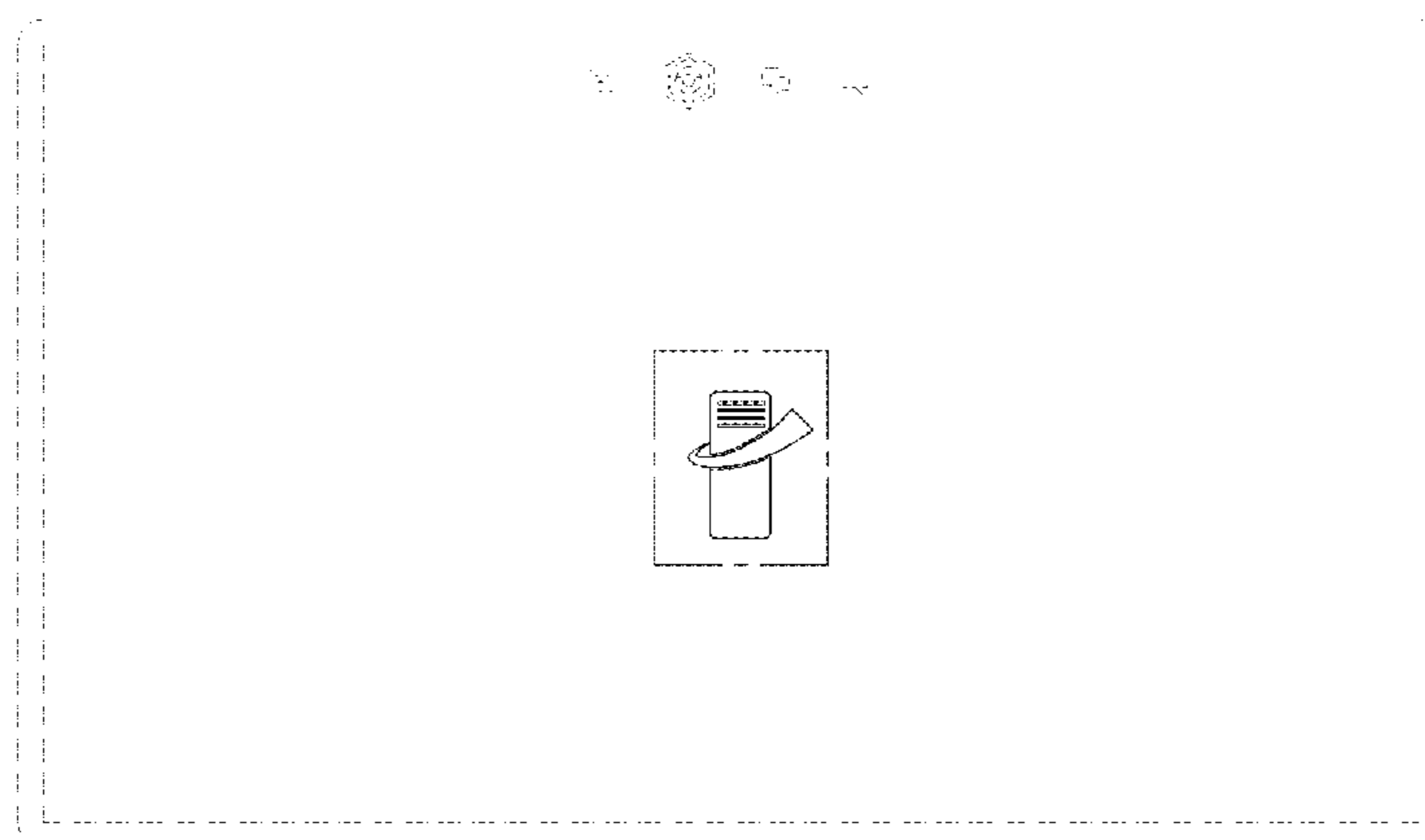
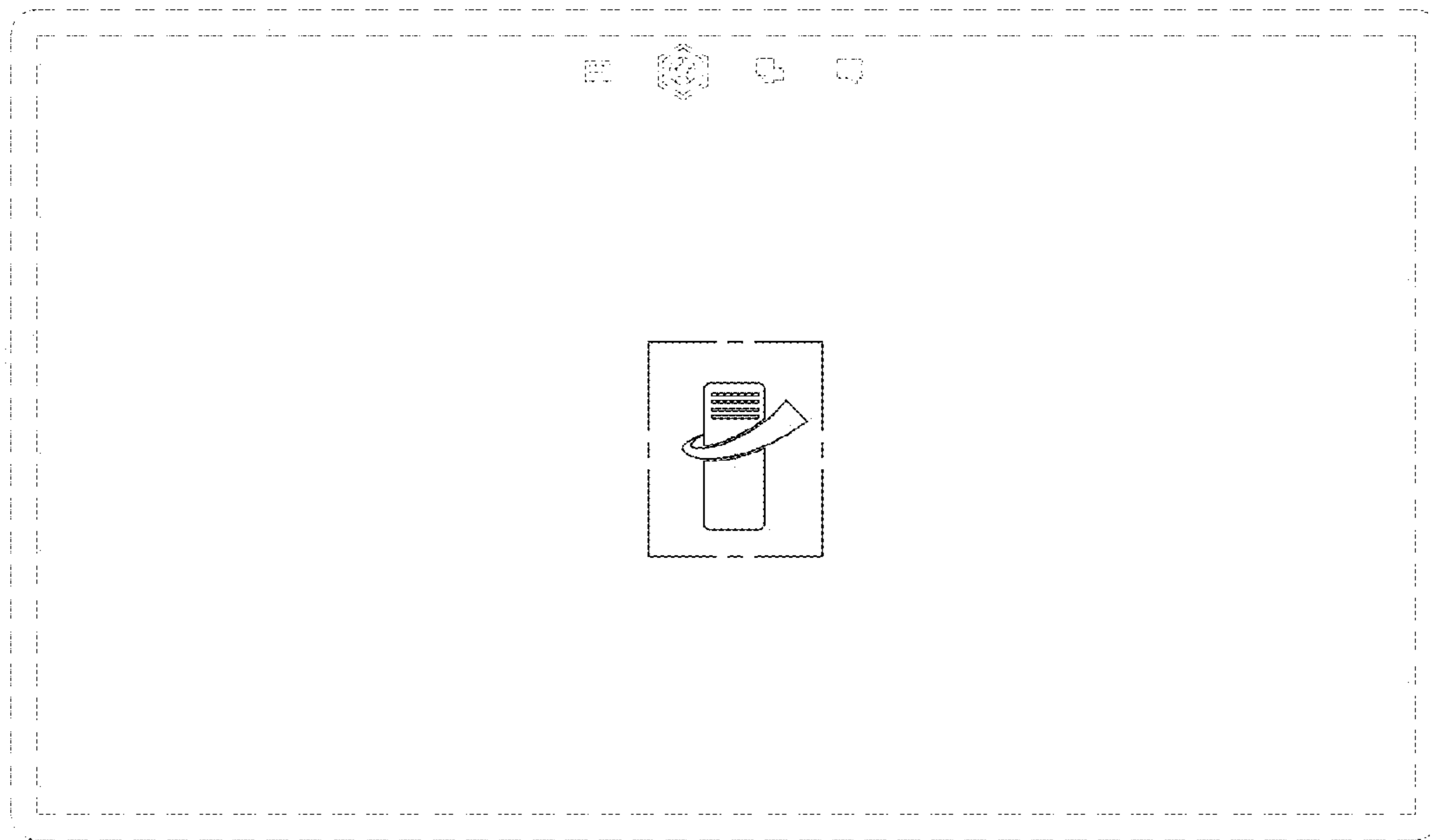


Fig. 1



**Fig. 2**

