



US00D755797S

(12) **United States Design Patent**  
**Liu**

(10) **Patent No.:** **US D755,797 S**  
(45) **Date of Patent:** **\*\* May 10, 2016**

(54) **MONITOR STAND**

(71) Applicant: **C.D. Great Furniture Co., Ltd.**,  
Taichung (TW)

(72) Inventor: **Tseng-Lang Liu**, Taichung (TW)

(73) Assignee: **C.D. GREAT FURNITURE CO., LTD.**, Taichung (TW)

(\*\*) Term: **14 Years**

(21) Appl. No.: **29/481,998**

(22) Filed: **Feb. 12, 2014**

(51) **LOC (10) Cl.** ..... **08-07**

(52) **U.S. Cl.**  
USPC ..... **D14/452**

(58) **Field of Classification Search**  
USPC ..... D14/371–382, 125–129, 336, 337,  
D14/447–452, 492, 335, 239, 457, 439–441,  
D14/432, 251–253; D8/349, 354, 363, 373,  
D8/376, 380; 348/180, 184, 325, 739, 825;  
D12/407, 415; D3/218; 341/12

CPC ..... G06F 3/0412; G06F 3/016; G06F 3/0488;  
G06F 3/011; G06F 3/038; G06F 3/03543;  
G06F 3/0338; G06F 3/0202; G06F 3/0219;  
G06F 3/0213; G06F 1/1616; G06F 3/023;  
G06F 3/04883; G02F 1/13338; G02F 1/1313;  
G02F 1/1333; G02F 1/135; G02F 1/132;  
G02F 1/133308; G02F 1/134309; G02F  
1/13718; G09G 3/3648; G06K 15/1252;  
B41J 2/465; G03F 7/70291; G02B 27/0172;  
G02B 5/30; G02B 2027/0118; G02B 27/0101;  
F16M 13/02; F16M 13/00; F16M 11/10;  
F16M 11/04; F16M 2200/08; F16M 11/2021;  
A47B 21/0314; A47B 88/044; A47B  
2021/0335; H02G 3/126; F16B 47/00; F16B  
47/006; A47G 1/17; A47K 2201/00

See application file for complete search history.

(56) **References Cited**

U.S. PATENT DOCUMENTS

D393,853	S	*	4/1998	Maas	.....	D14/126
D543,208	S	*	5/2007	Kita	.....	D14/451
D551,663	S	*	9/2007	Kita	.....	D14/239
7,392,965	B2	*	7/2008	Jung	.....	248/176.3
D652,045	S	*	1/2012	Hong	.....	D14/447
D658,189	S	*	4/2012	Zhao et al.	.....	D14/447
D659,147	S	*	5/2012	Hu et al.	.....	D14/447
D672,782	S	*	12/2012	Gross	.....	D14/447
D690,306	S	*	9/2013	Malisse et al.	.....	D14/447
8,537,122	B2	*	9/2013	Geiger	.....	345/173
D694,208	S	*	11/2013	Duys et al.	.....	D14/126
D711,333	S	*	8/2014	Kim	.....	D14/126
D714,775	S	*	10/2014	Yoo et al.	.....	D14/253
D722,068	S	*	2/2015	Jung et al.	.....	D14/451
D725,616	S	*	3/2015	Oh et al.	.....	D14/126

\* cited by examiner

*Primary Examiner* — Garth Rademaker  
*Assistant Examiner* — Katie S Mroczka  
(74) *Attorney, Agent, or Firm* — Banger Shia

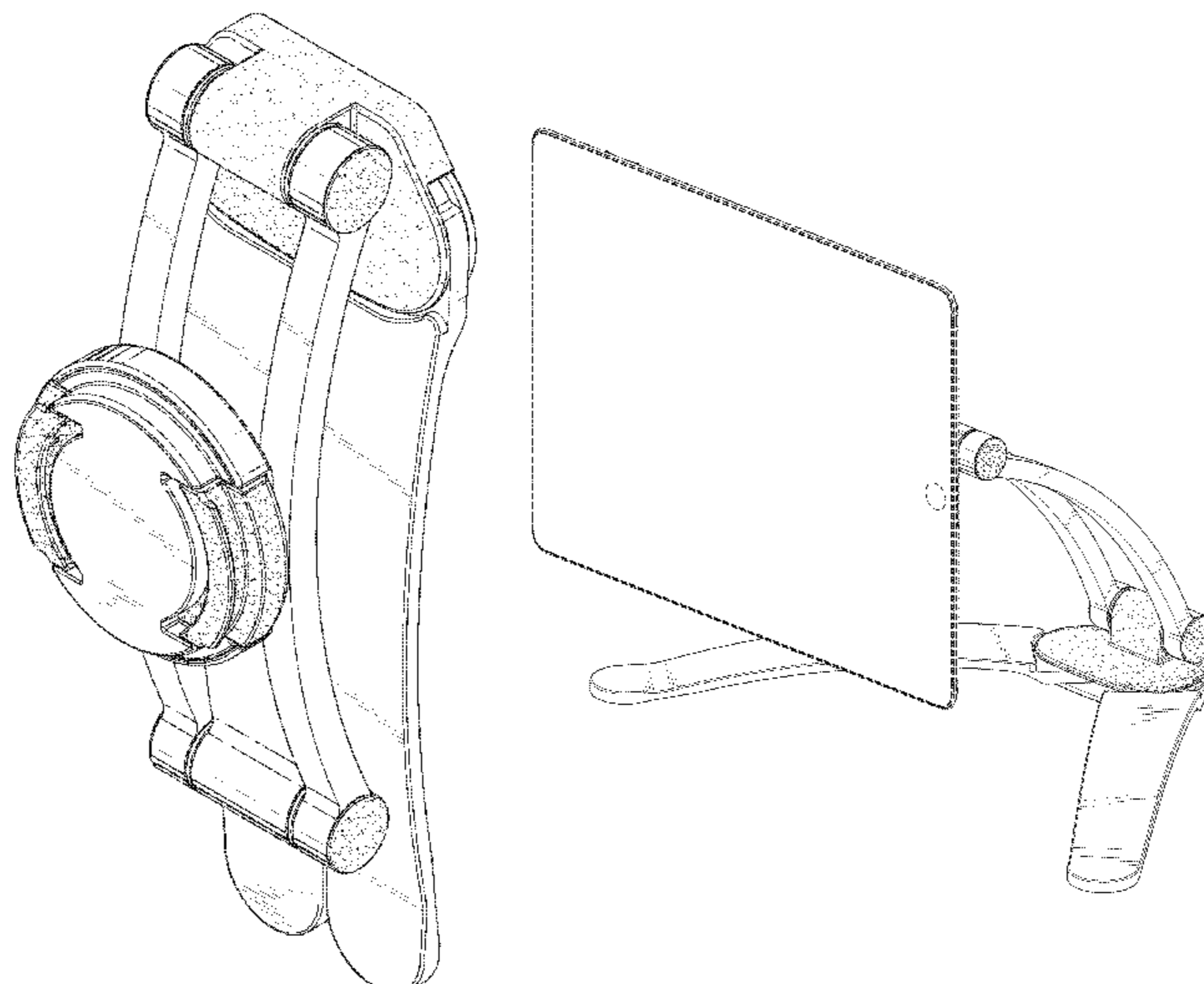
(57) **CLAIM**

The ornamental design for a monitor stand, as shown and described.

**DESCRIPTION**

FIG. 1 is a perspective view of a monitor stand showing my new design;  
FIG. 2 is a front elevational view thereof;  
FIG. 3 is a rear elevational view thereof;  
FIG. 4 is a left side elevational view thereof;  
FIG. 5 is a right side elevational view thereof;  
FIG. 6 is a top plan view thereof;  
FIG. 7 is a bottom plan view thereof;  
FIG. 8 is a right side elevational view thereof shown in use;  
and,  
FIG. 9 is another perspective view thereof shown in use.  
The broken lines in FIGS. 8 and 9 illustrate the environment of the claimed design and form no part thereof.

**1 Claim, 6 Drawing Sheets**



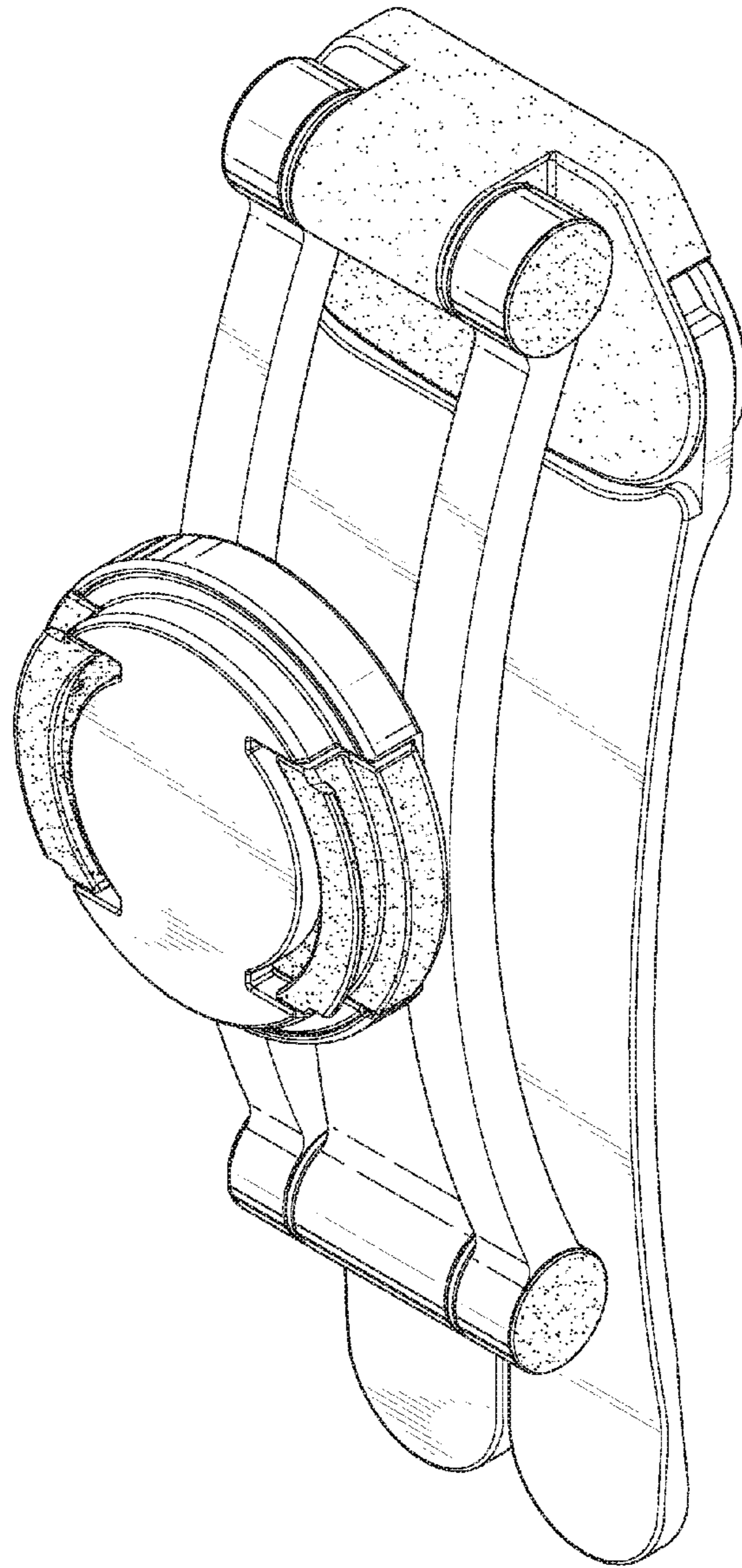


FIG.1

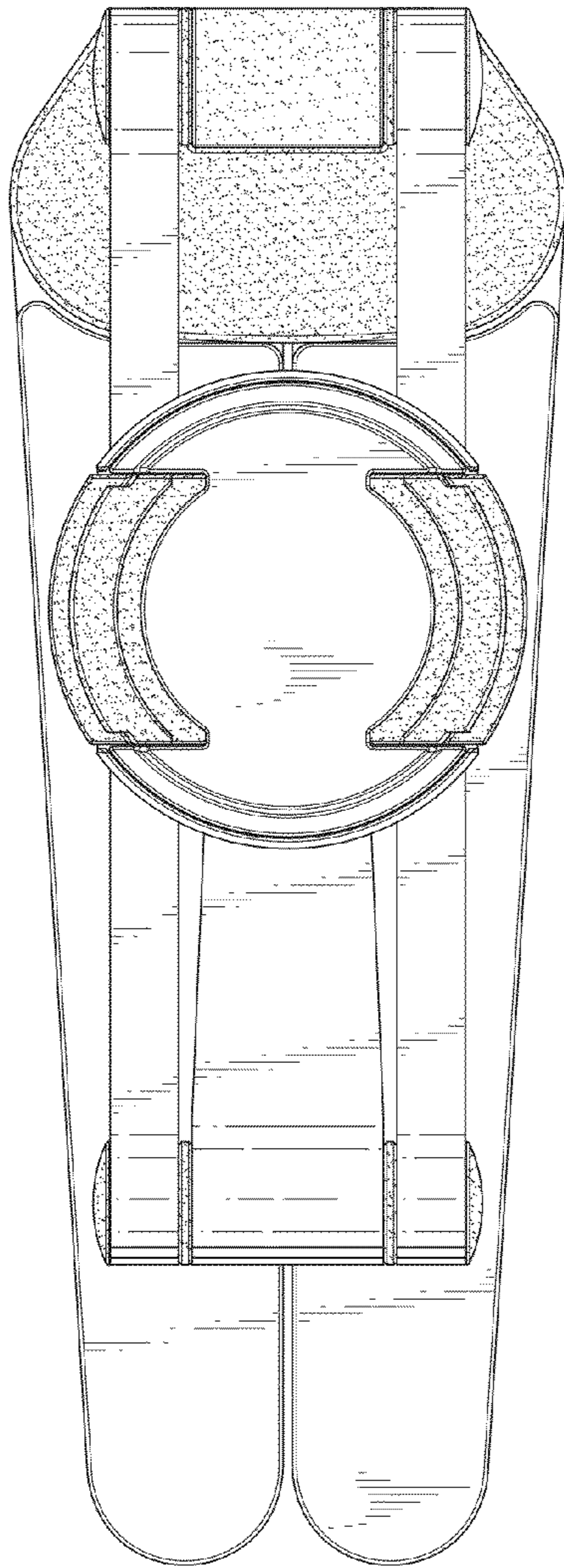


FIG. 2

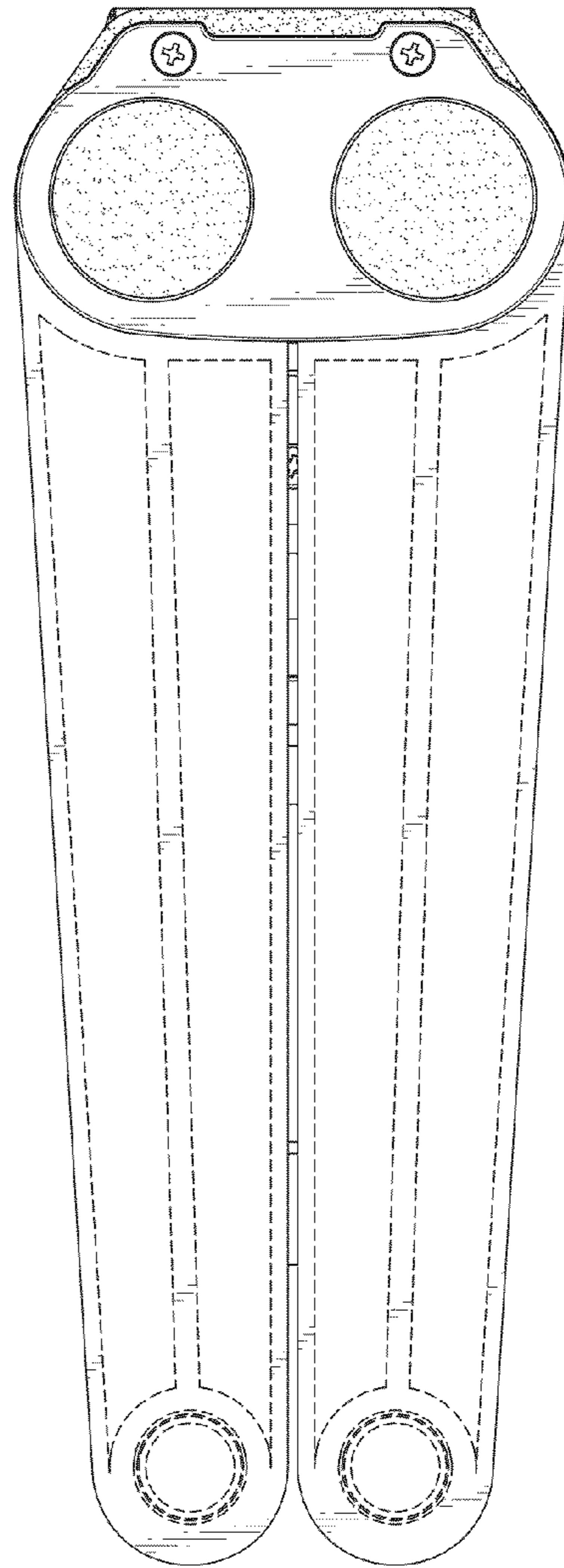


FIG. 3

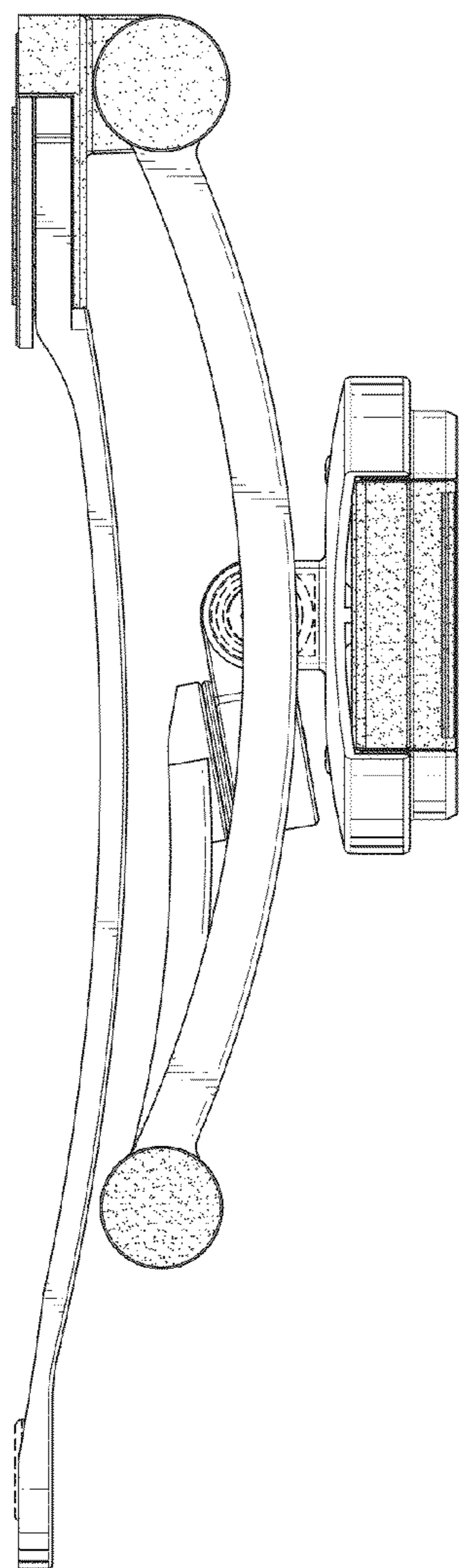


FIG. 4

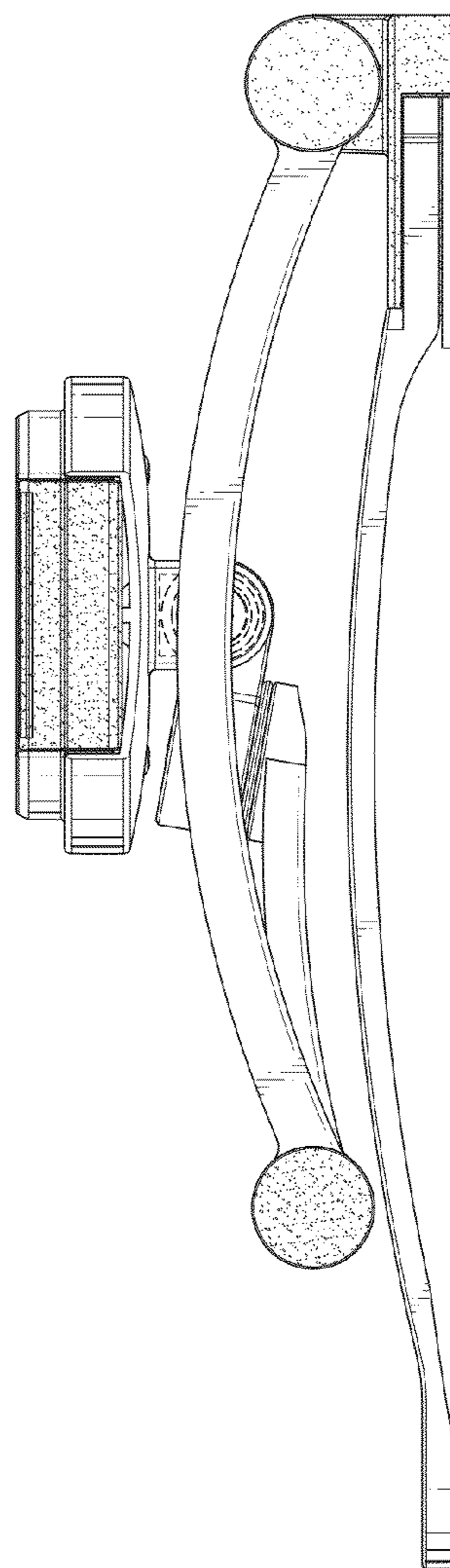


FIG. 5

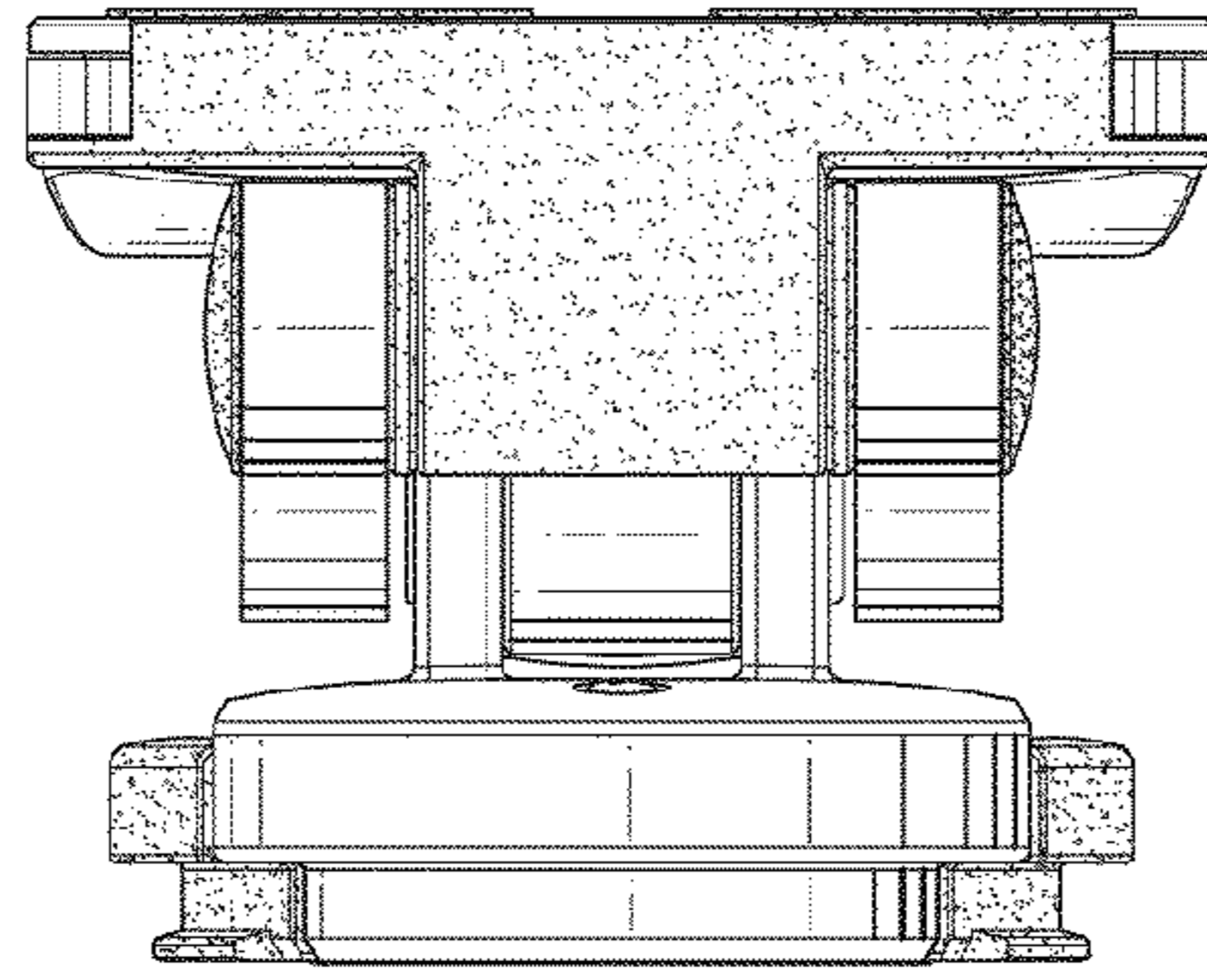


FIG. 6

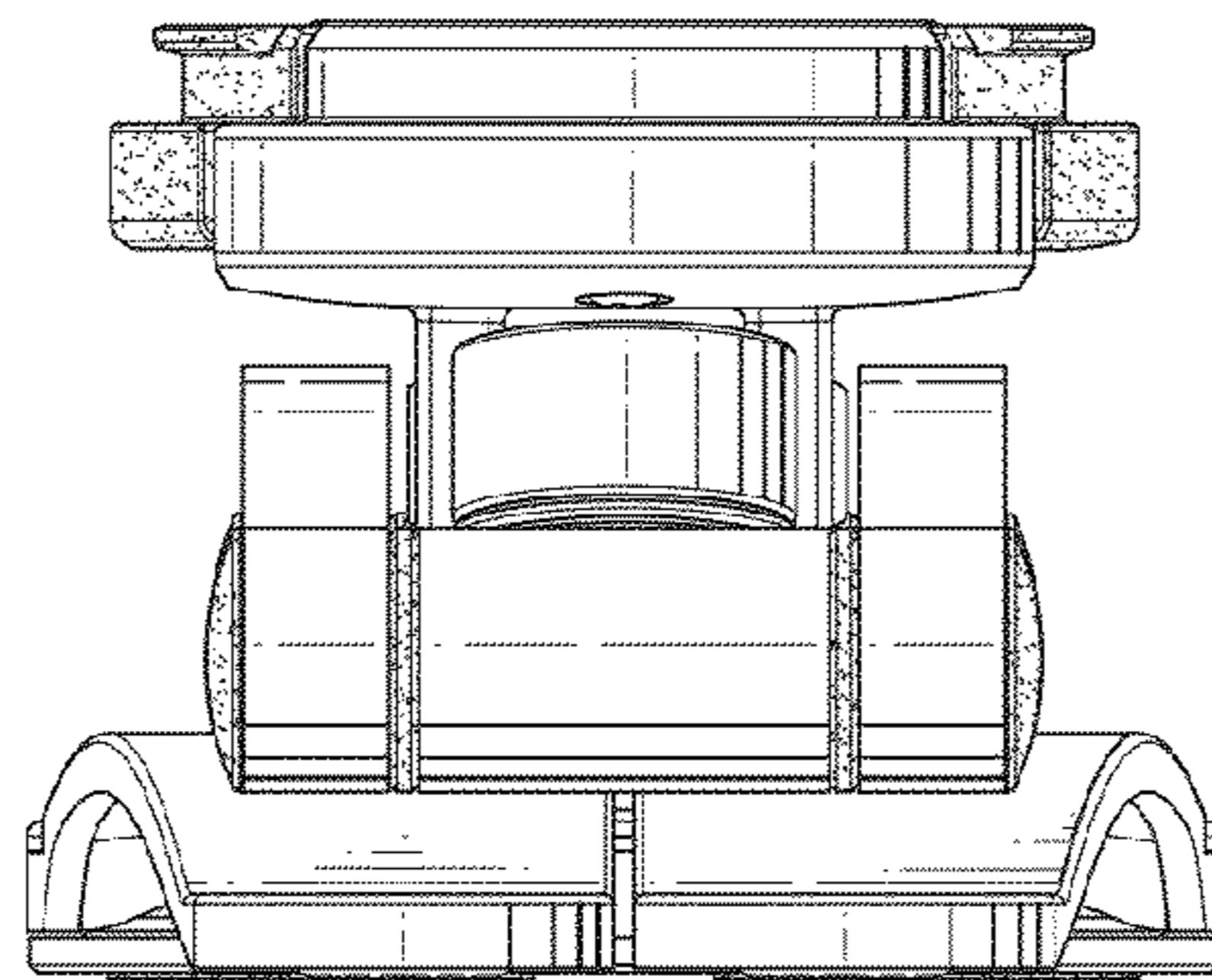


FIG. 7

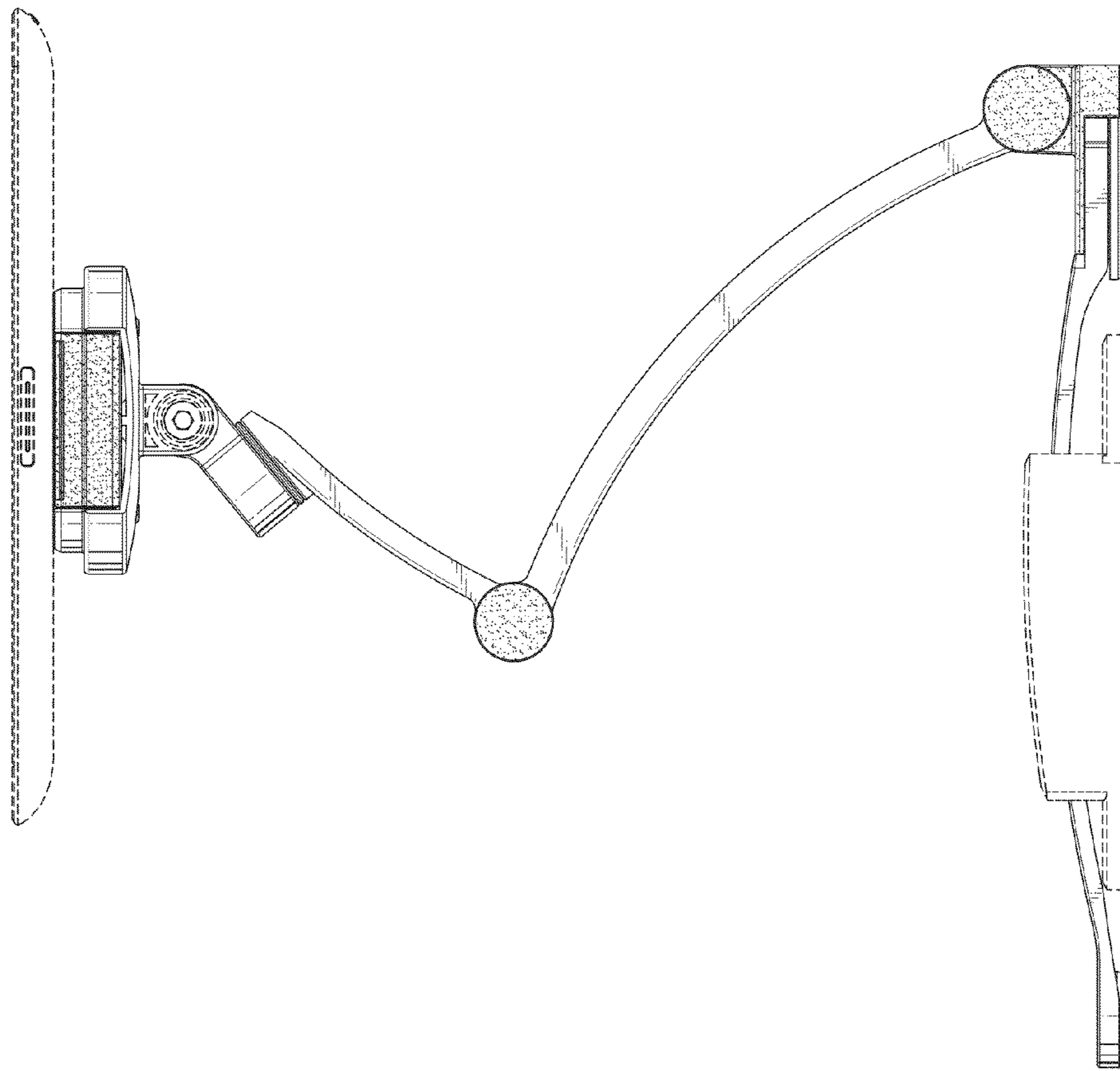


FIG.8

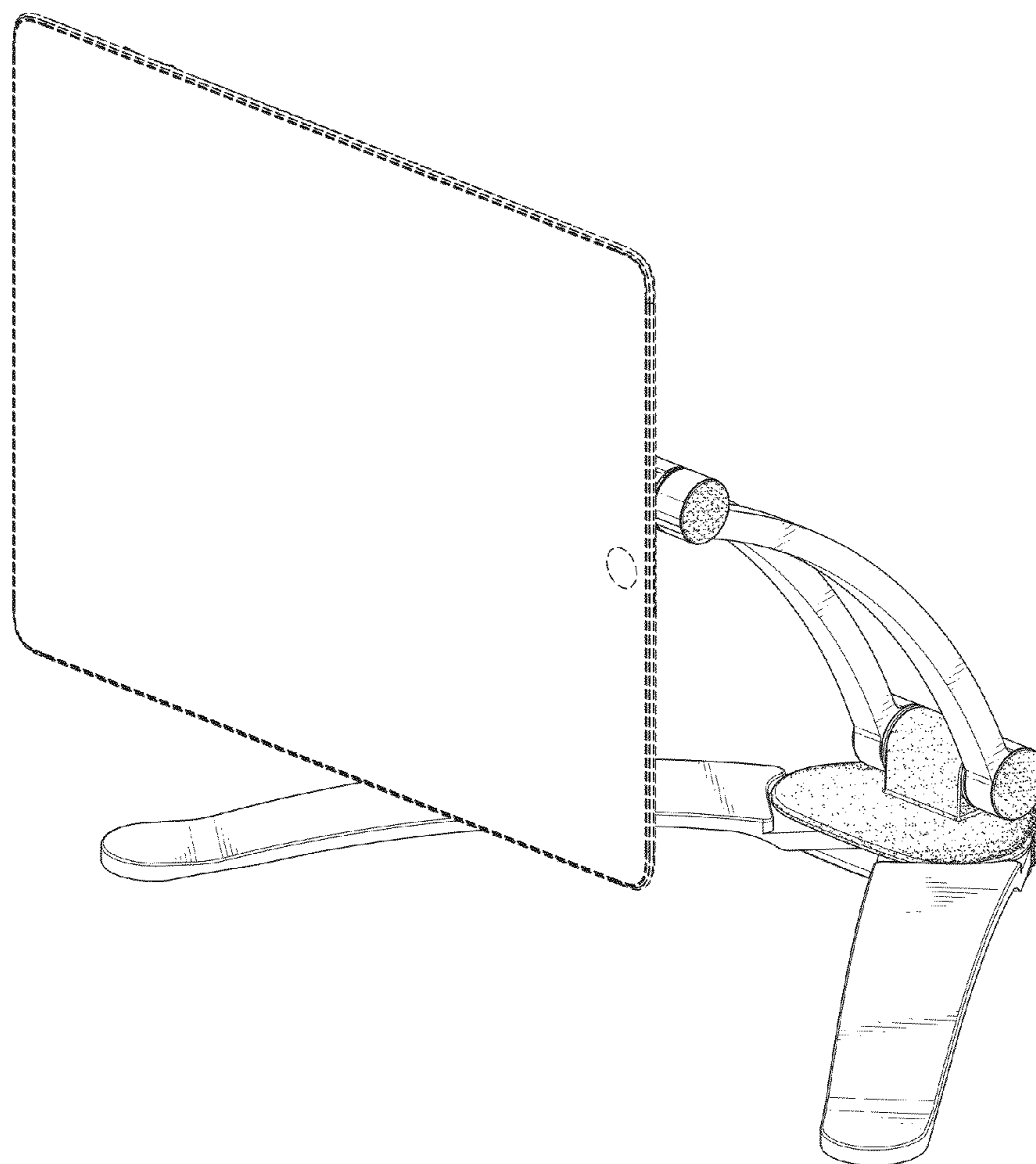


FIG.9