



US00D755796S

(12) **United States Design Patent**
Gibson

(10) **Patent No.:** **US D755,796 S**

(45) **Date of Patent:** **** May 10, 2016**

(54) **FOLDABLE SMARTPHONE AND TABLET HOLDER STAND**

2012/0181410 A1* 7/2012 Ku A47B 23/042
248/453
2012/0248277 A1* 10/2012 Yang A47B 23/044
248/346.3
2012/0312953 A1* 12/2012 Moffa A47B 23/044
248/459

(71) Applicant: **John C Gibson**, Nashua, NH (US)

* cited by examiner

(72) Inventor: **John C Gibson**, Nashua, NH (US)

Primary Examiner — Angela J Lee

(**) Term: **14 Years**

(74) *Attorney, Agent, or Firm* — Daniel N. Smith

(21) Appl. No.: **29/504,380**

(57) **CLAIM**

The ornamental design for a foldable smartphone and tablet holder stand, as shown and described.

(22) Filed: **Oct. 6, 2014**

DESCRIPTION

(51) **LOC (10) Cl.** **08-07**

(52) **U.S. Cl.**
USPC **D14/447**

(58) **Field of Classification Search**
USPC D14/447, 432, 434, 439, 440, 451, 452,
D14/457, 239; D12/415; D6/406.3, 406.4,
D6/406.5, 406.6; D8/363, 373, 380
CPC F16M 2200/00; F16M 13/00; A45C
2011/003; A45C 2011/002; A47B 2023/049;
A47B 2097/005; A47B 2097/006; A47B 21/04
See application file for complete search history.

FIG. 1 illustrates a front left side isometric view of a foldable smartphone and tablet holder stand in the assembled, unfolded position showing my new design; FIG. 2 illustrates a right side view thereof; FIG. 3 illustrates a left side view thereof; FIG. 4 illustrates a front view thereof; FIG. 5 illustrates a top view thereof; FIG. 6 illustrates a bottom view thereof; FIG. 7 illustrates a rear view thereof; FIG. 8 illustrates a left side isometric view of the foldable smartphone and tablet holder stand in the unassembled, folded position showing my new design; FIG. 9 illustrates a top view thereof; FIG. 10 illustrates a left side view thereof; FIG. 11 illustrates a right side view thereof; FIG. 12 illustrates a bottom view thereof; FIG. 13 illustrates a left side isometric view of the foldable smartphone and tablet holder stand in the unassembled, unfolded position showing my new design; FIG. 14 illustrates a top view thereof; FIG. 15 illustrates a left side view thereof; FIG. 16 illustrates a right side view thereof; and, FIG. 17 illustrates a bottom view thereof.

(56) **References Cited**

U.S. PATENT DOCUMENTS

D639,814 S *	6/2011	Farris-Gilbert	D14/447
D661,310 S *	6/2012	Belongia	D14/447
D669,085 S *	10/2012	Coberly	D14/447
D674,396 S *	1/2013	Yang	D14/447
D676,853 S *	2/2013	Gengler	D14/447
D682,839 S *	5/2013	Sampson	D14/447
D689,870 S *	9/2013	Fong	D14/447
D697,069 S *	1/2014	Tak	D14/447
D705,785 S *	5/2014	Wang	D14/447
D730,914 S *	6/2015	Park	D14/447

1 Claim, 17 Drawing Sheets

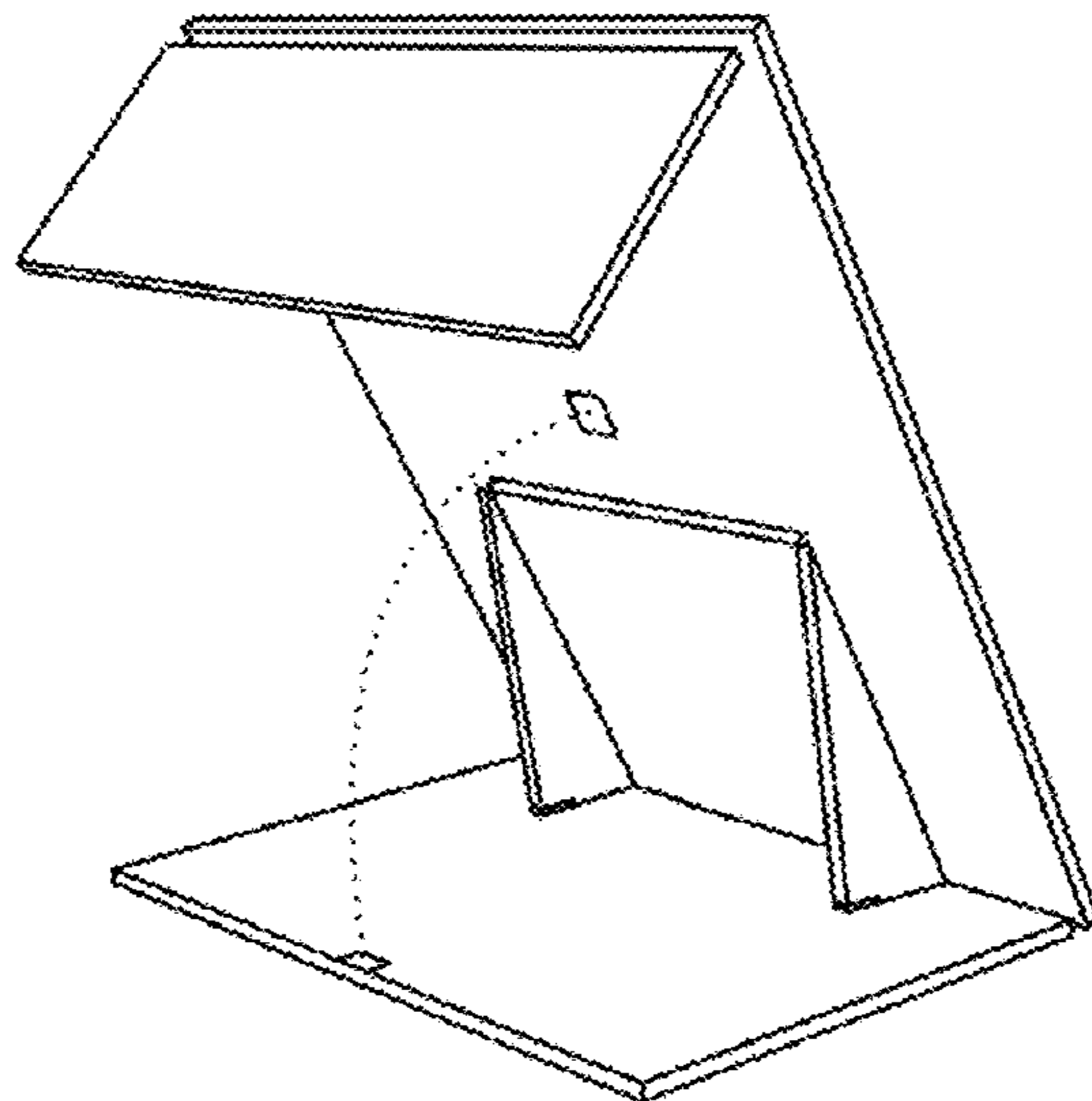


FIG. 1

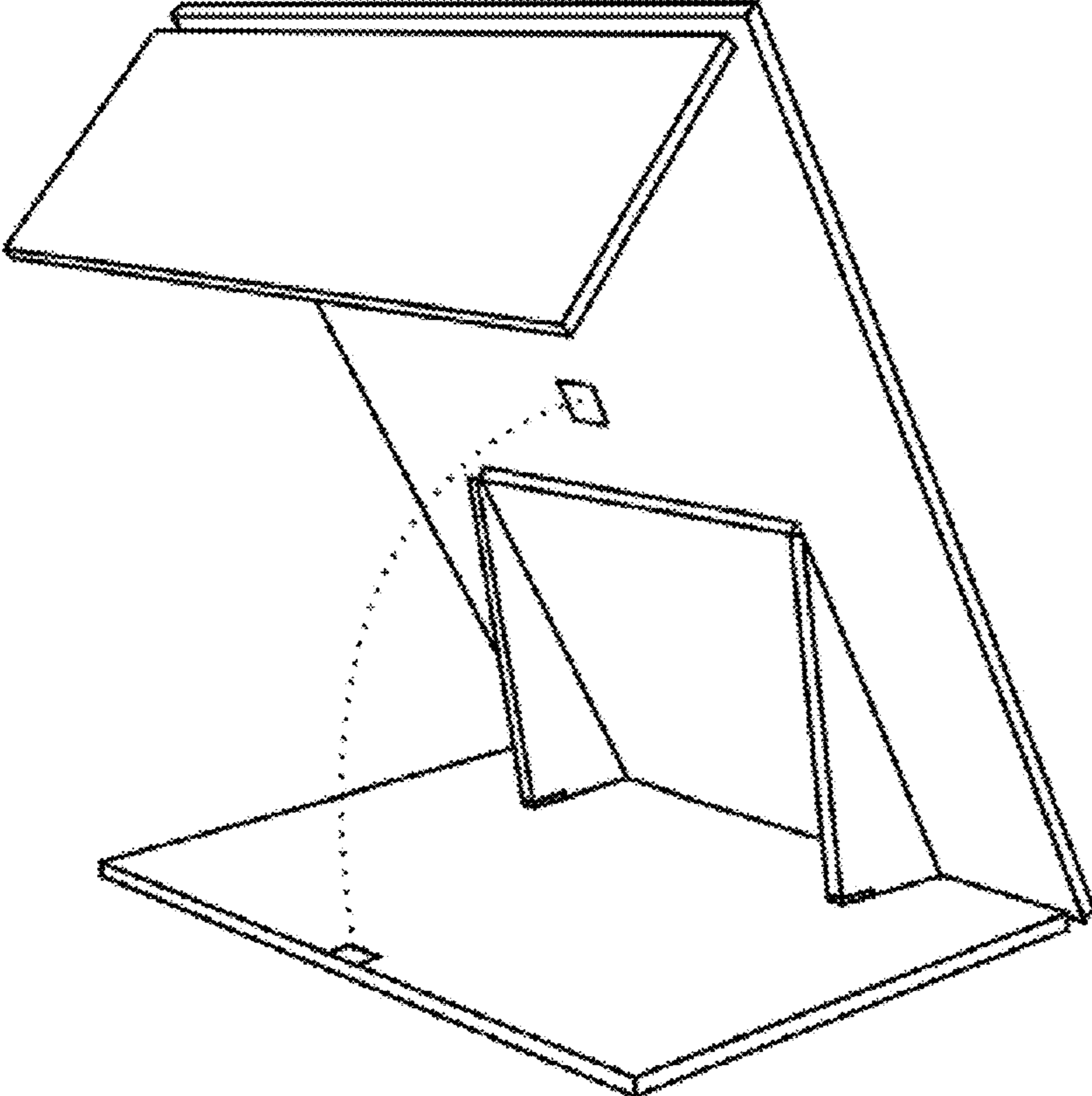


FIG. 2

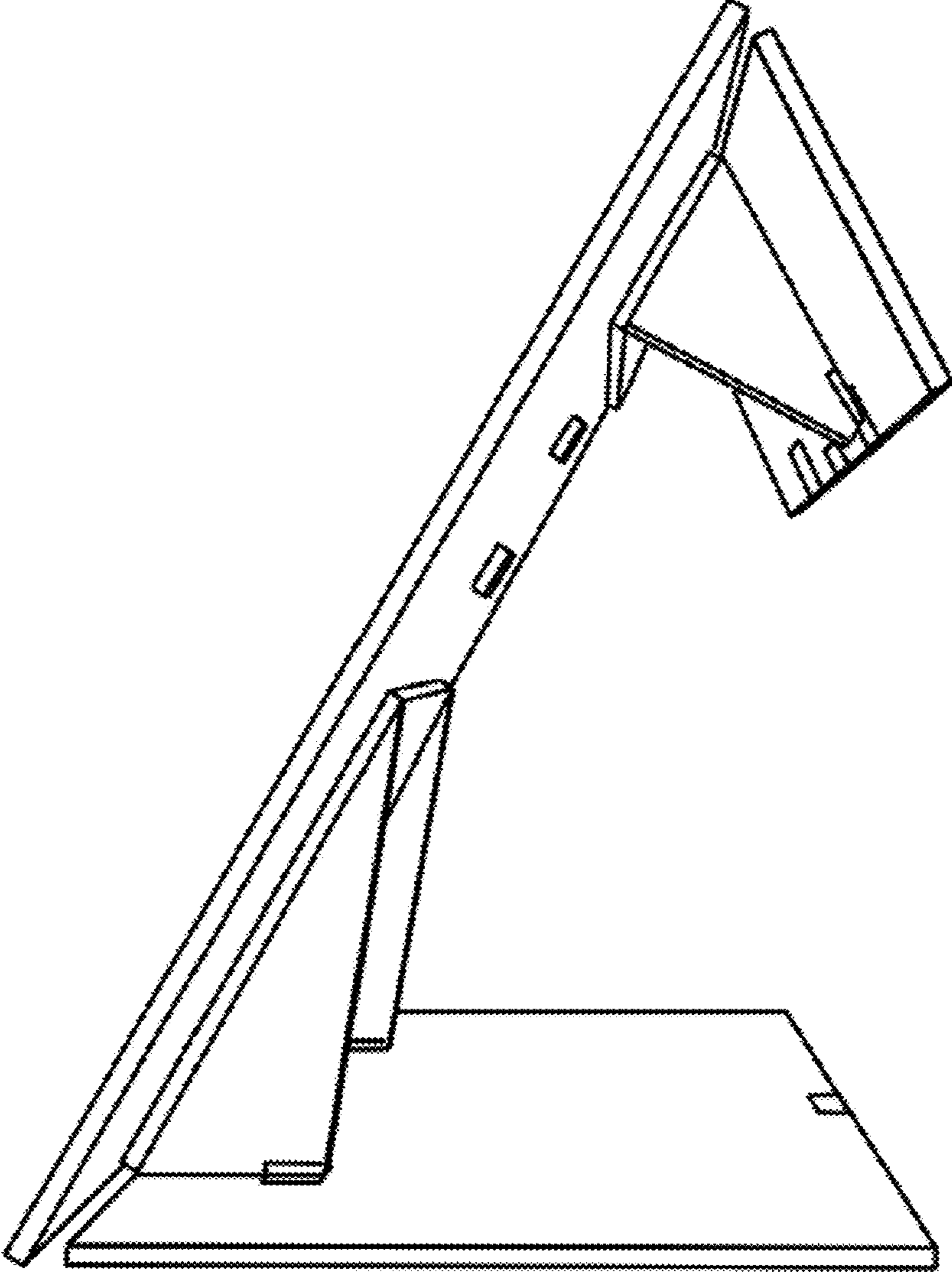


FIG. 3

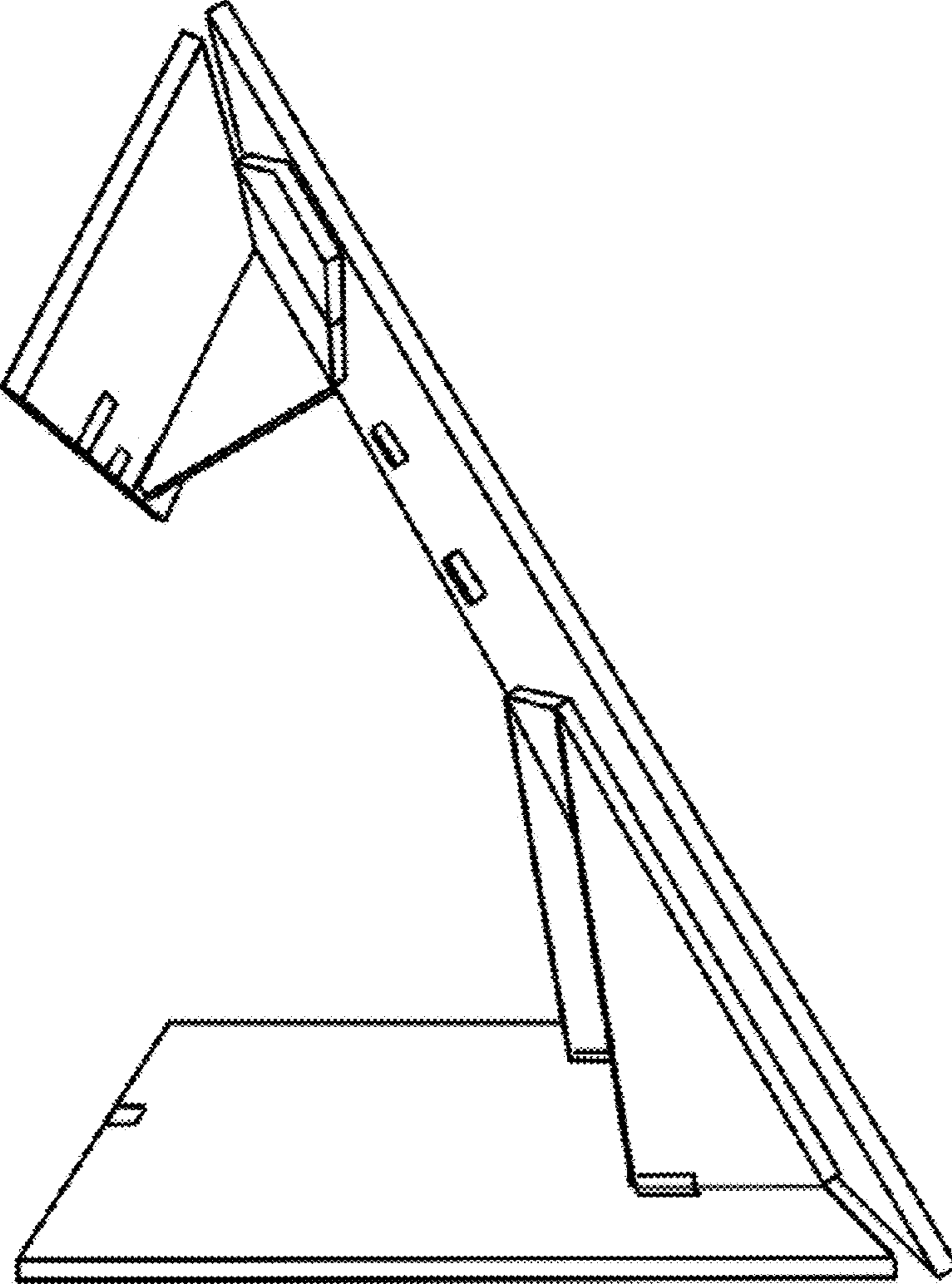


FIG. 4

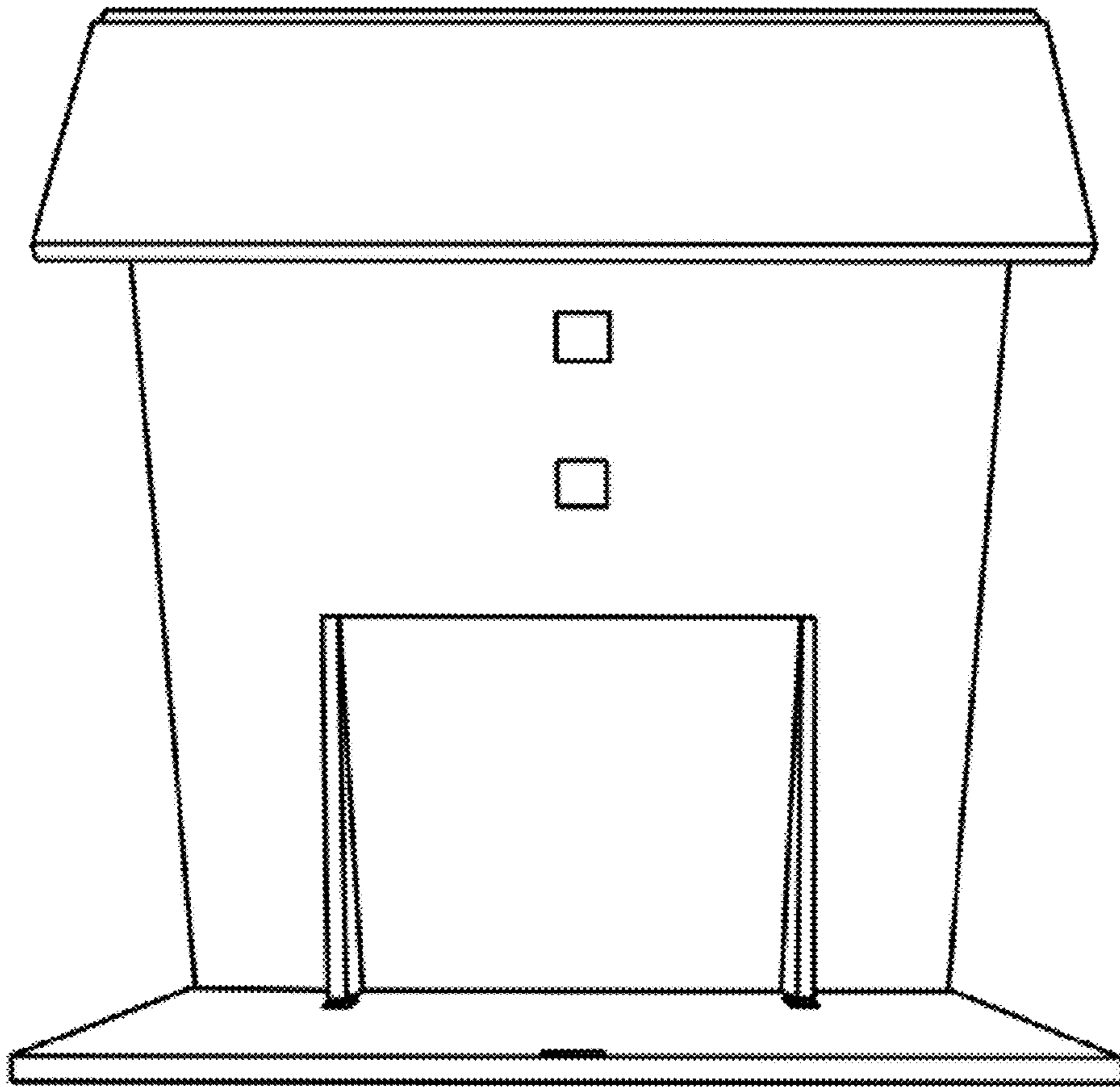


FIG. 5

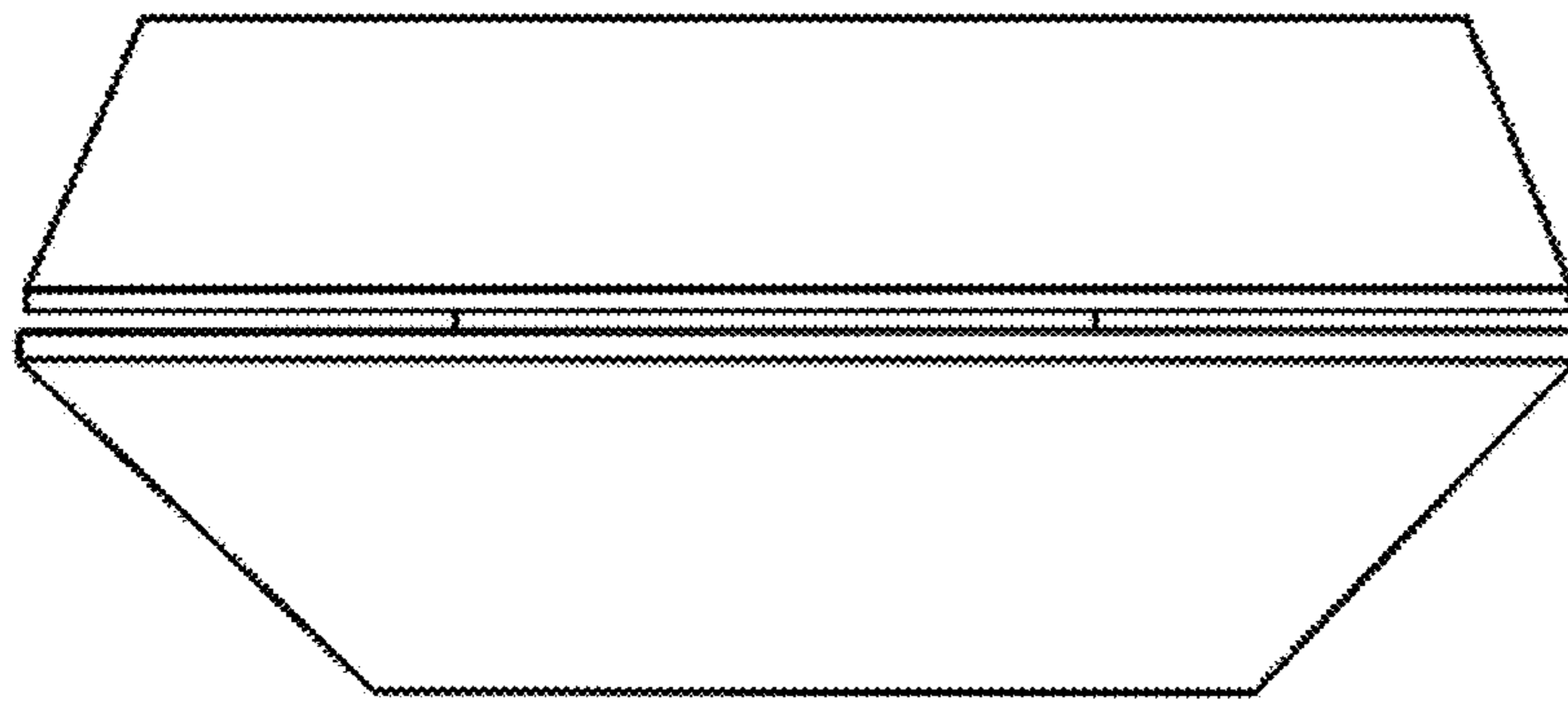


FIG. 6

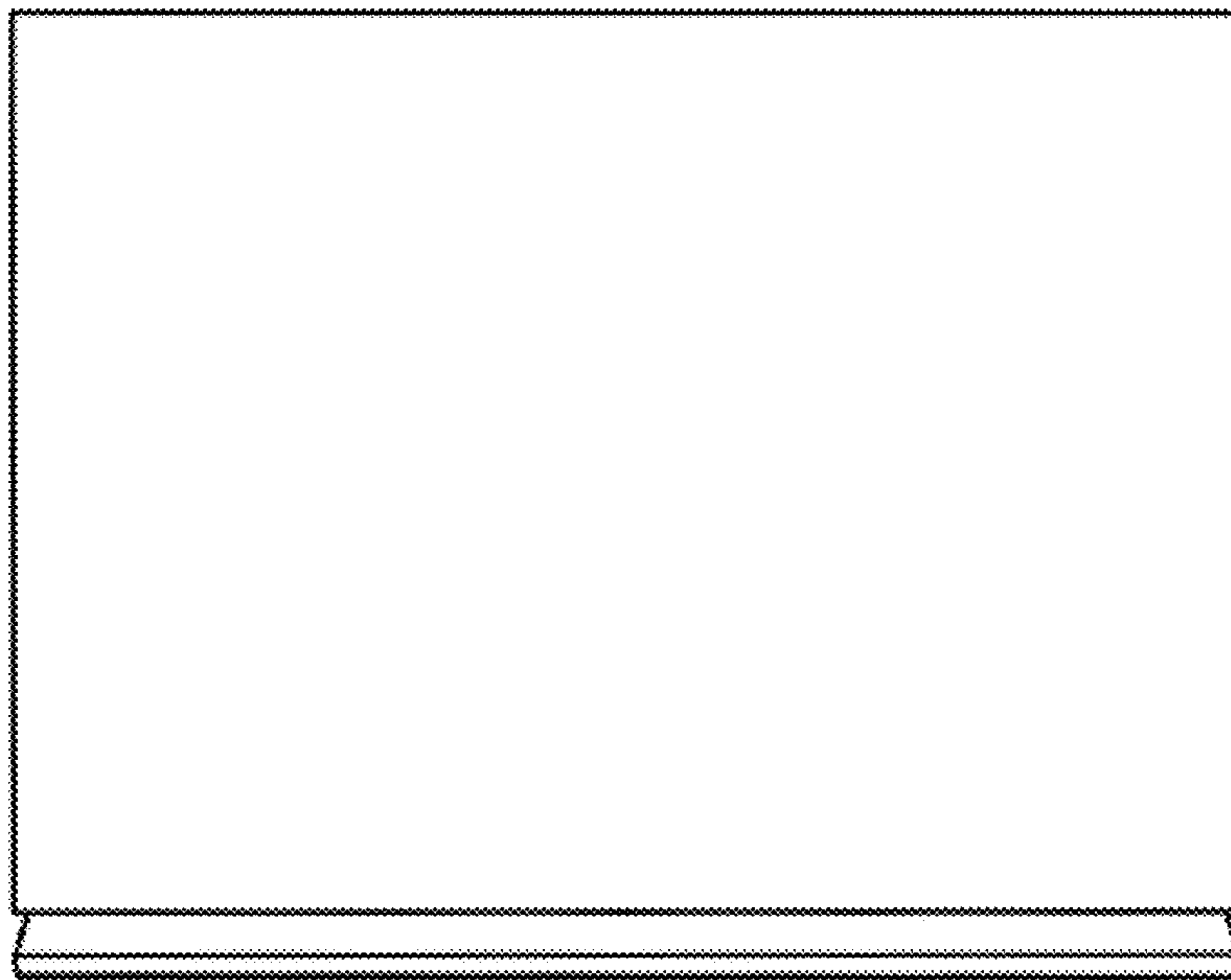


FIG. 7

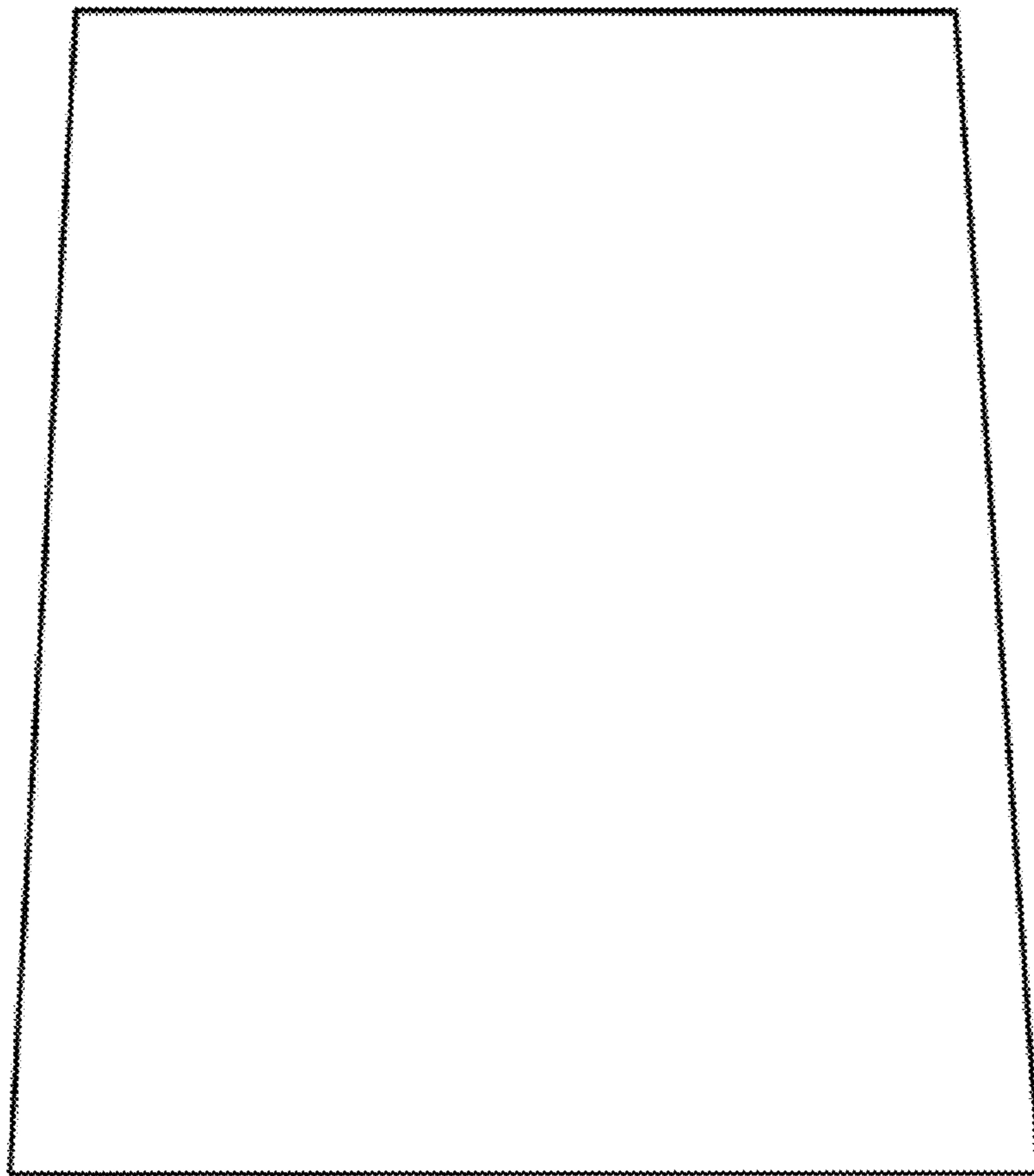


FIG. 8

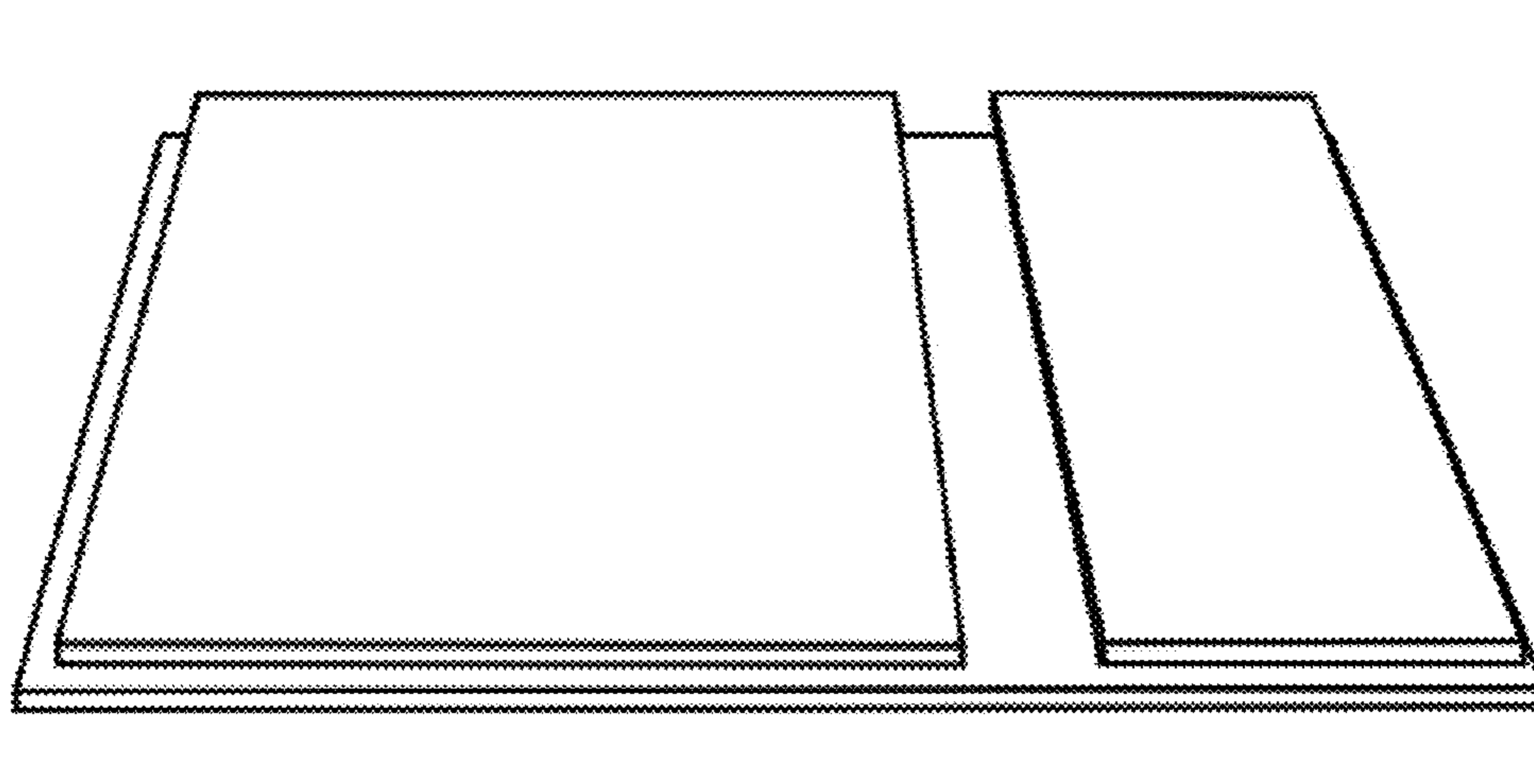


FIG. 9

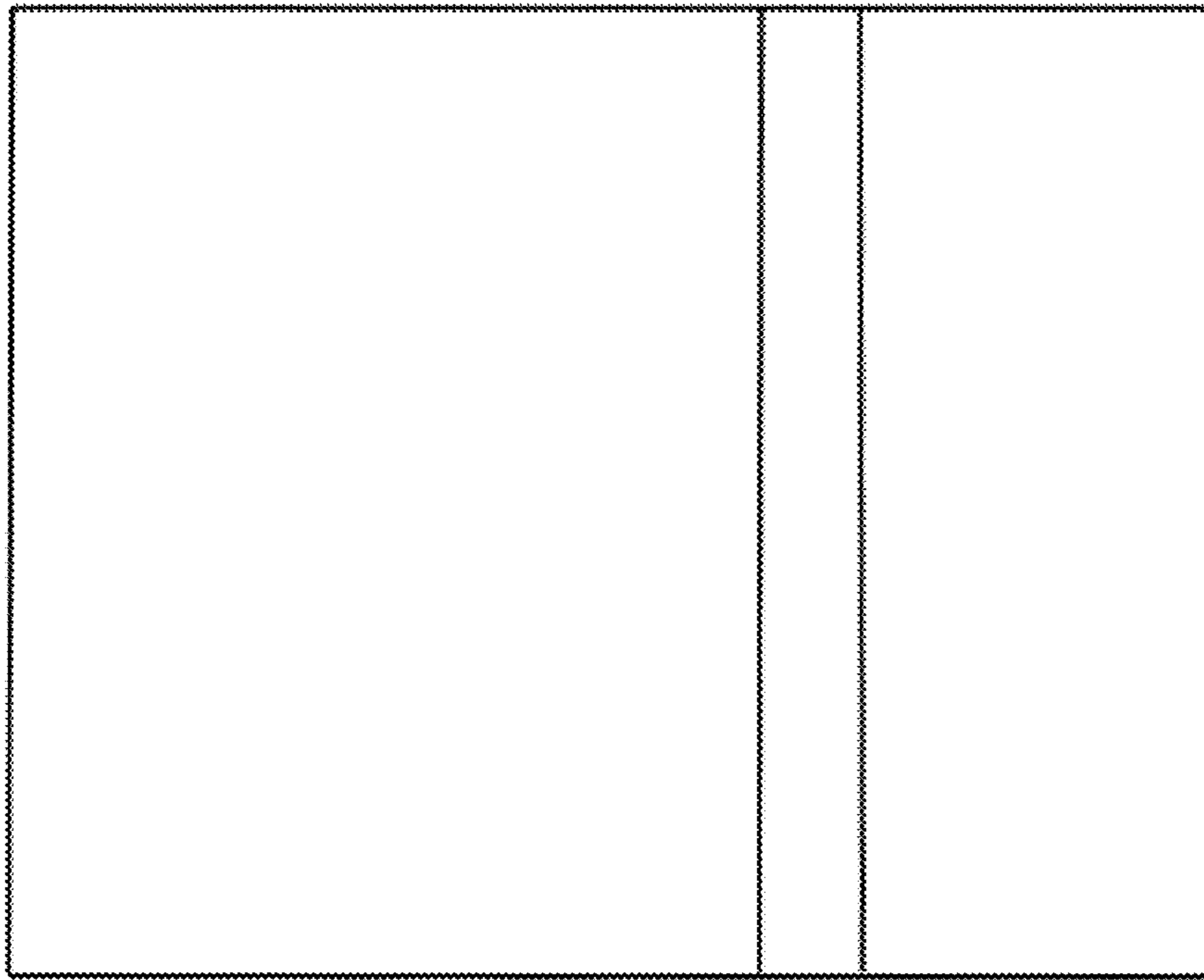


FIG. 10

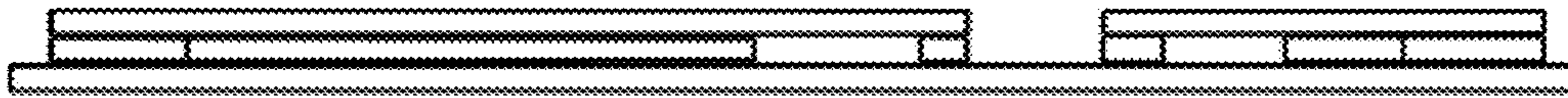


FIG. 11



FIG. 12

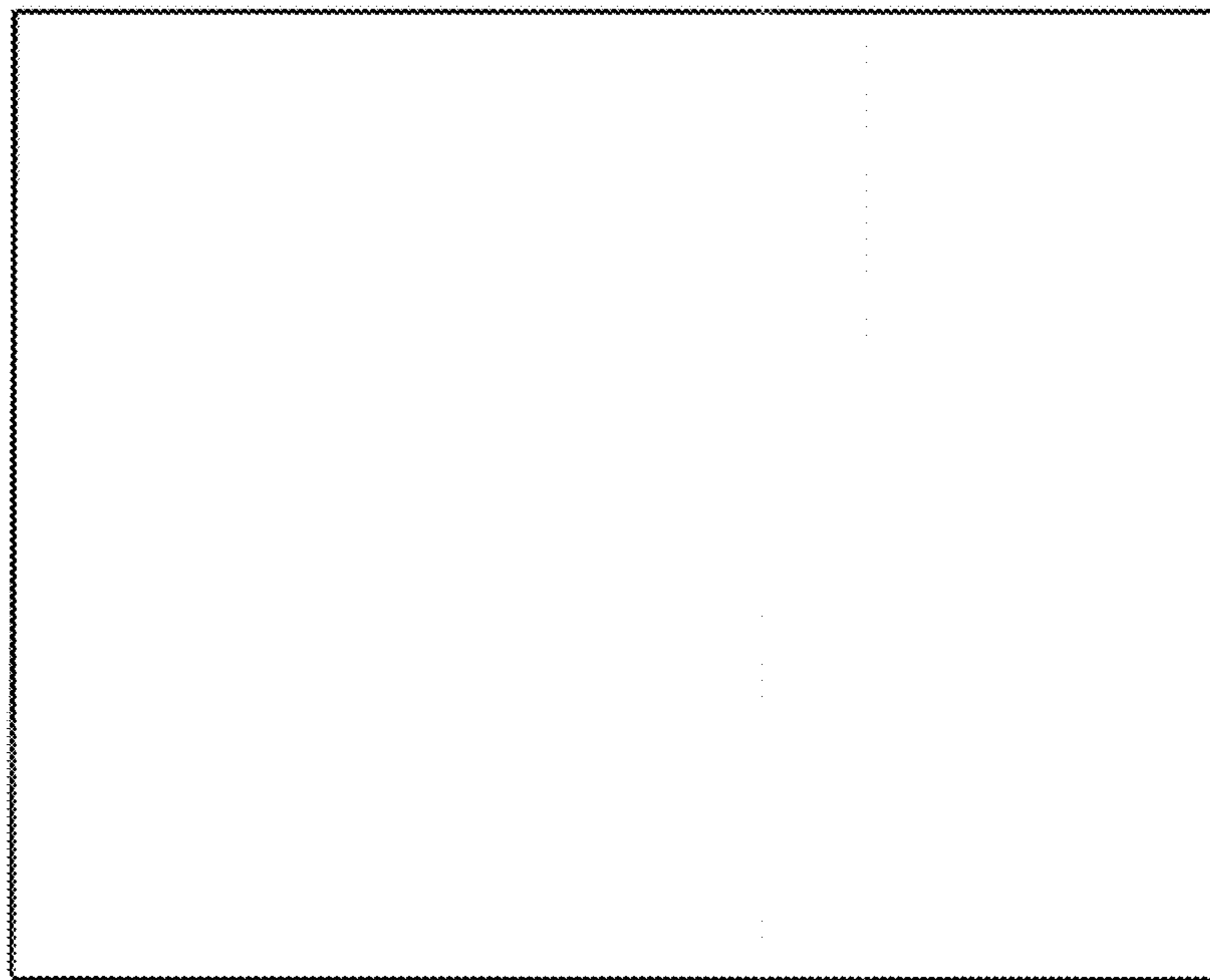


FIG. 13

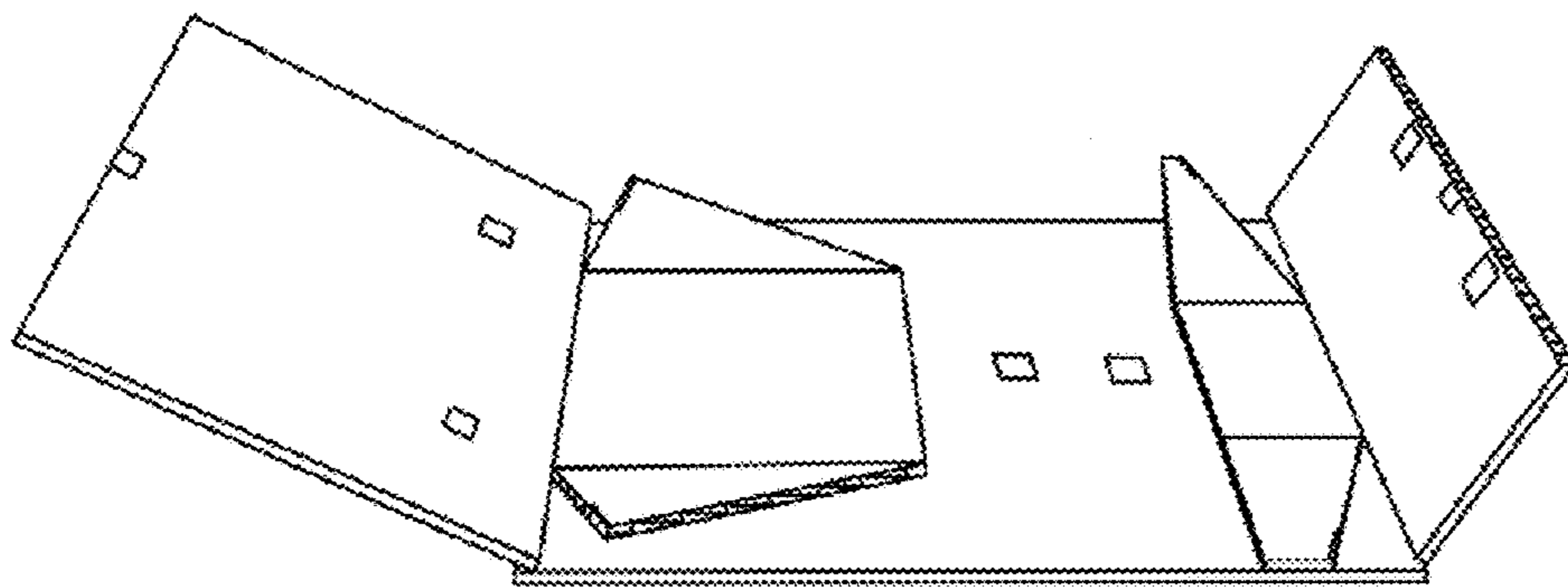


FIG. 14

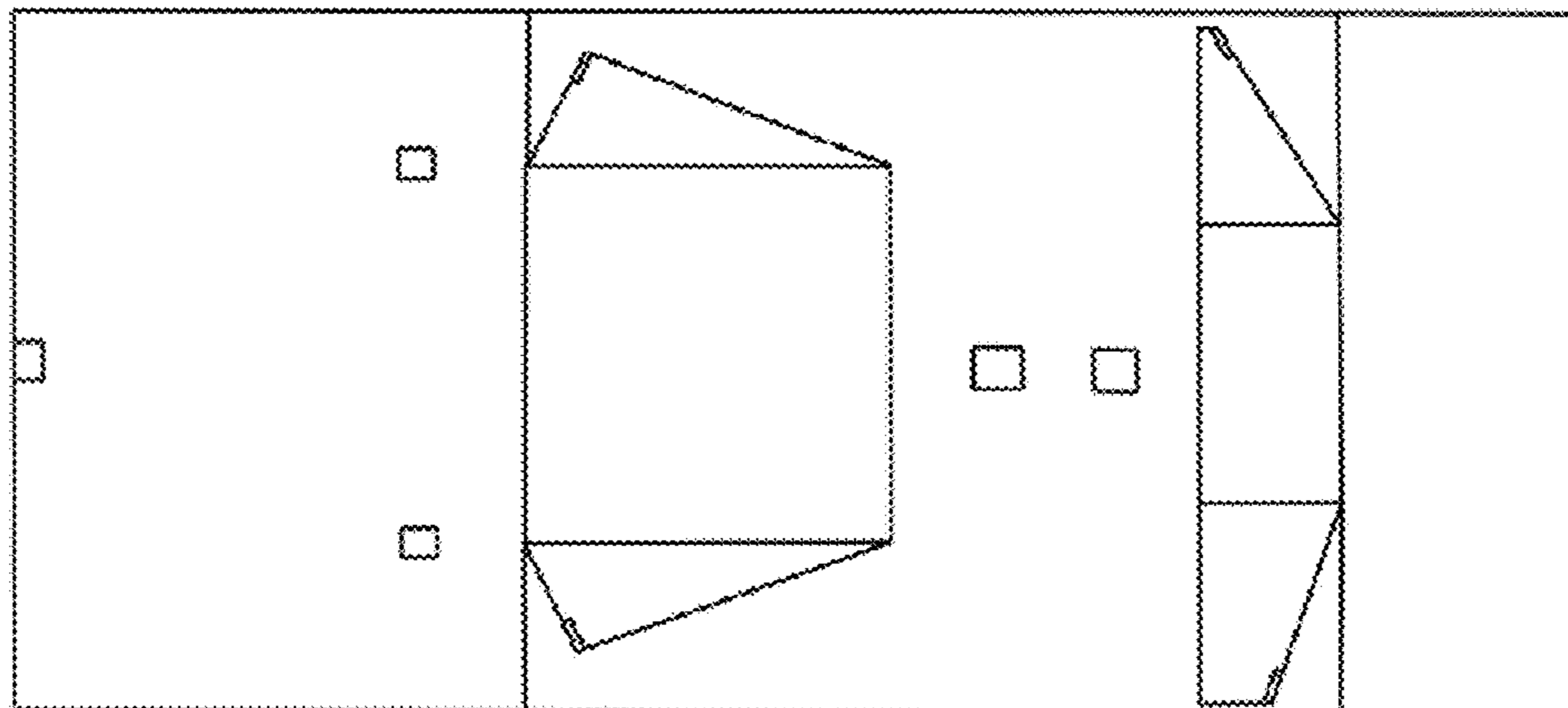


FIG. 15

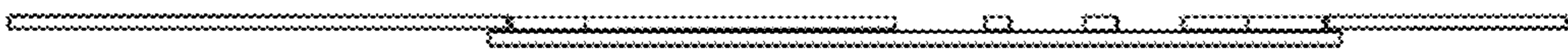


FIG. 16

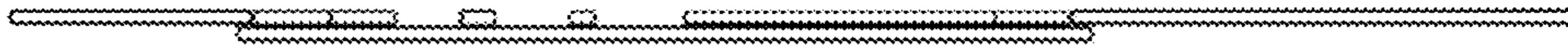


FIG. 17

