



US00D755795S

(12) **United States Design Patent**
Kulovany

(10) **Patent No.:** **US D755,795 S**

(45) **Date of Patent:** **** May 10, 2016**

(54) **COMPUTER HOUSING**

Primary Examiner — Cynthia Underwood

(71) Applicant: **Josef Warren Kulovany**, Ft. Collins,
CO (US)

(74) *Attorney, Agent, or Firm* — Craig R. Miles; CR Miles
P.C.

(72) Inventor: **Josef Warren Kulovany**, Ft. Collins,
CO (US)

(57) **CLAIM**

(**) Term: **14 Years**

I claim the ornamental design for a computer housing, as
shown and described.

(21) Appl. No.: **29/465,156**

(22) Filed: **Aug. 23, 2013**

DESCRIPTION

(51) **LOC (10) Cl.** **14-02**

(52) **U.S. Cl.**
USPC **D14/440**

(58) **Field of Classification Search**
USPC D14/440
See application file for complete search history.

FIG. 1 is a top, front, and right side perspective view of a
computer housing, embodying my new design;
FIG. 2 is a top, front, and left side perspective view thereof;
FIG. 3 is a bottom, front, and left side perspective view
thereof;
FIG. 4 is a bottom, front, and right side perspective view
thereof;
FIG. 5 is a top plan view thereof;
FIG. 6 is a bottom plan view thereof;
FIG. 7 is a front side view thereof; and,
FIG. 8 is an exploded perspective view thereof.
The broken lines shown are included for the purpose of illus-
trating the unclaimed portions of the article and form no part
of the claim.

(56) **References Cited**

U.S. PATENT DOCUMENTS

D584,728	S	*	1/2009	Park et al.	D14/355
D705,230	S	*	5/2014	Hung et al.	D14/440
D723,040	S	*	2/2015	Kang et al.	D14/440
D725,116	S	*	3/2015	Li	D14/440
2012/0262038	A1	*	10/2012	Zeng et al.	312/223.2
2013/0258586	A1	*	10/2013	Shao et al.	361/679.55

* cited by examiner

1 Claim, 5 Drawing Sheets

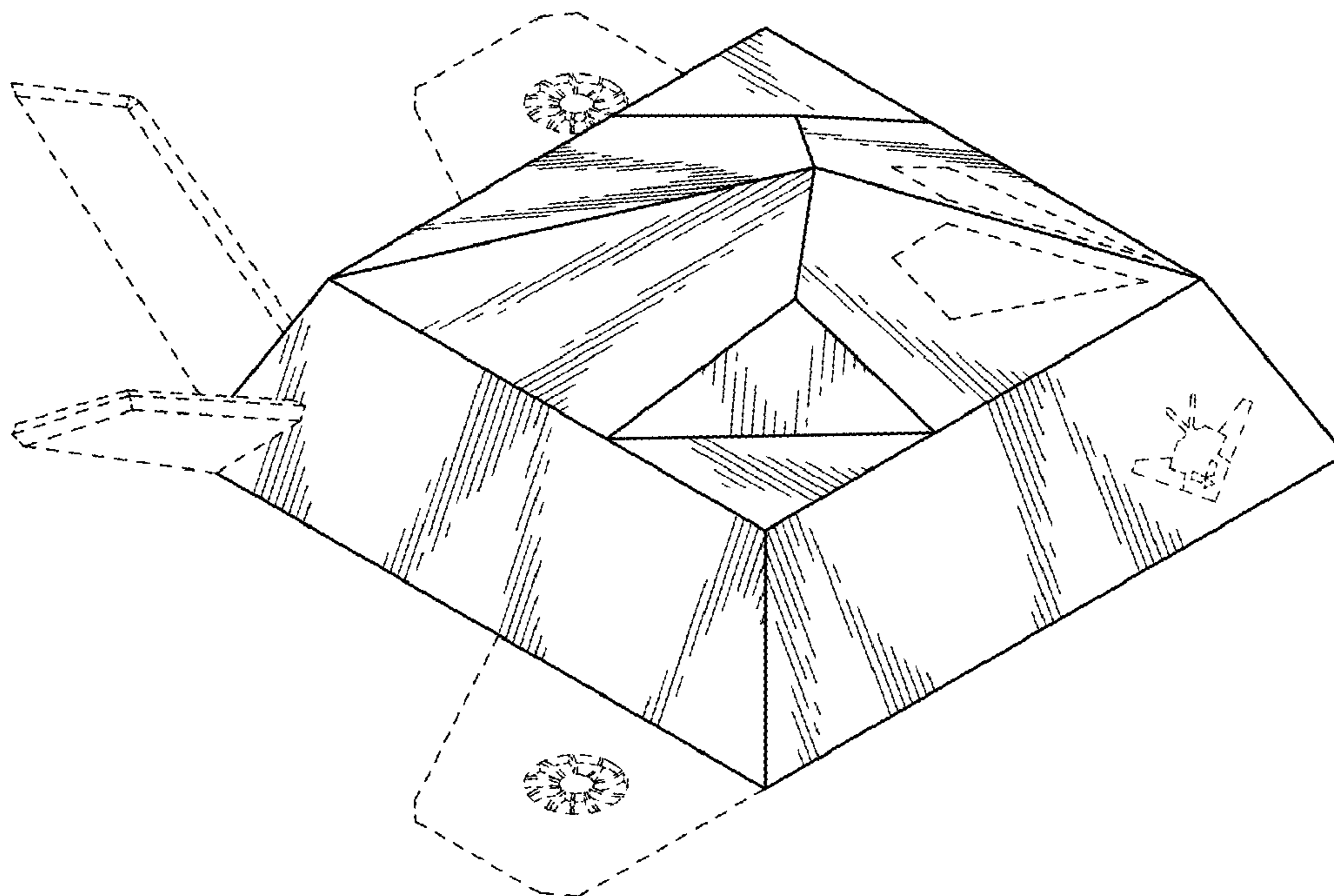


FIG. 1

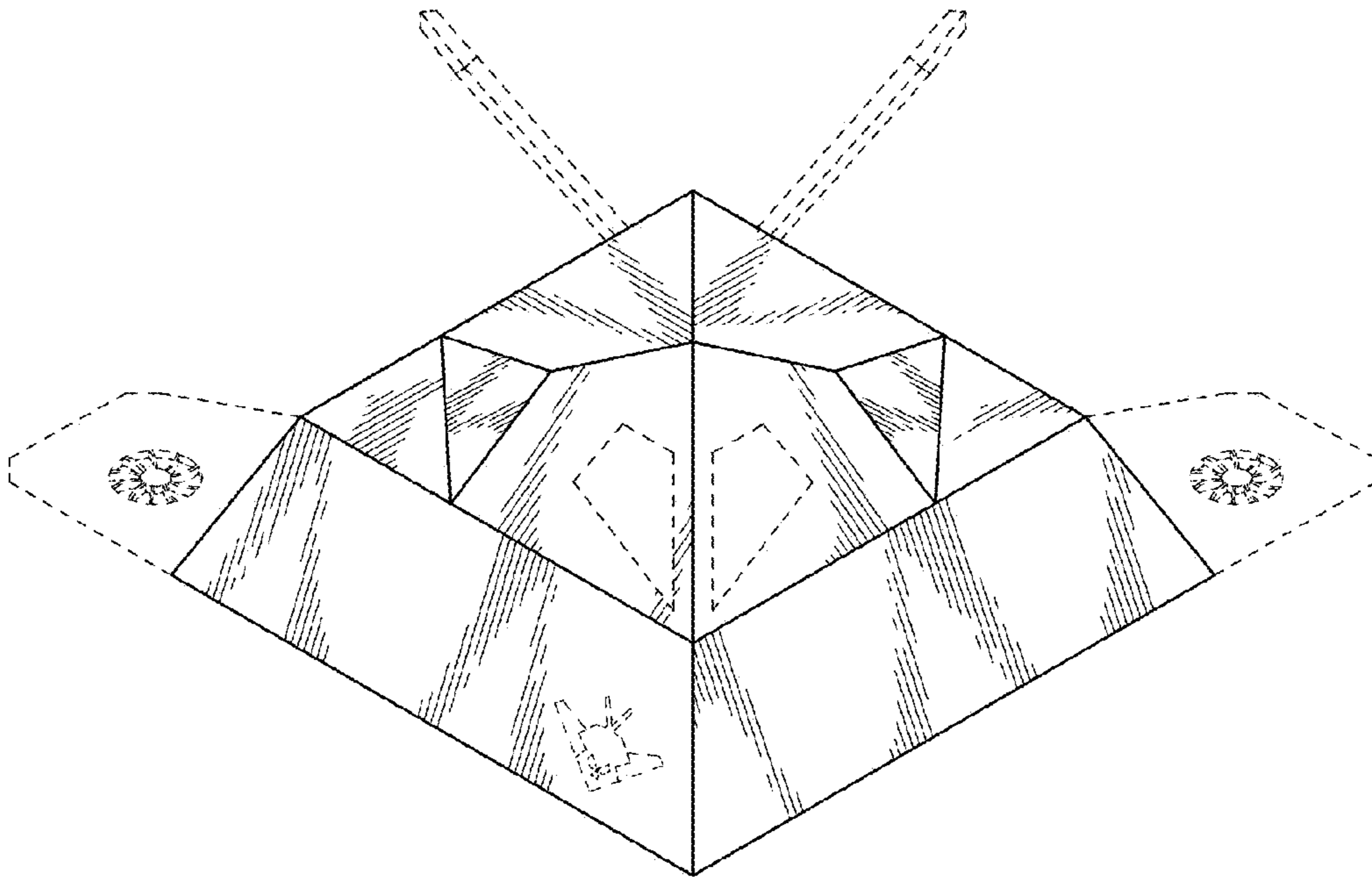


FIG. 2

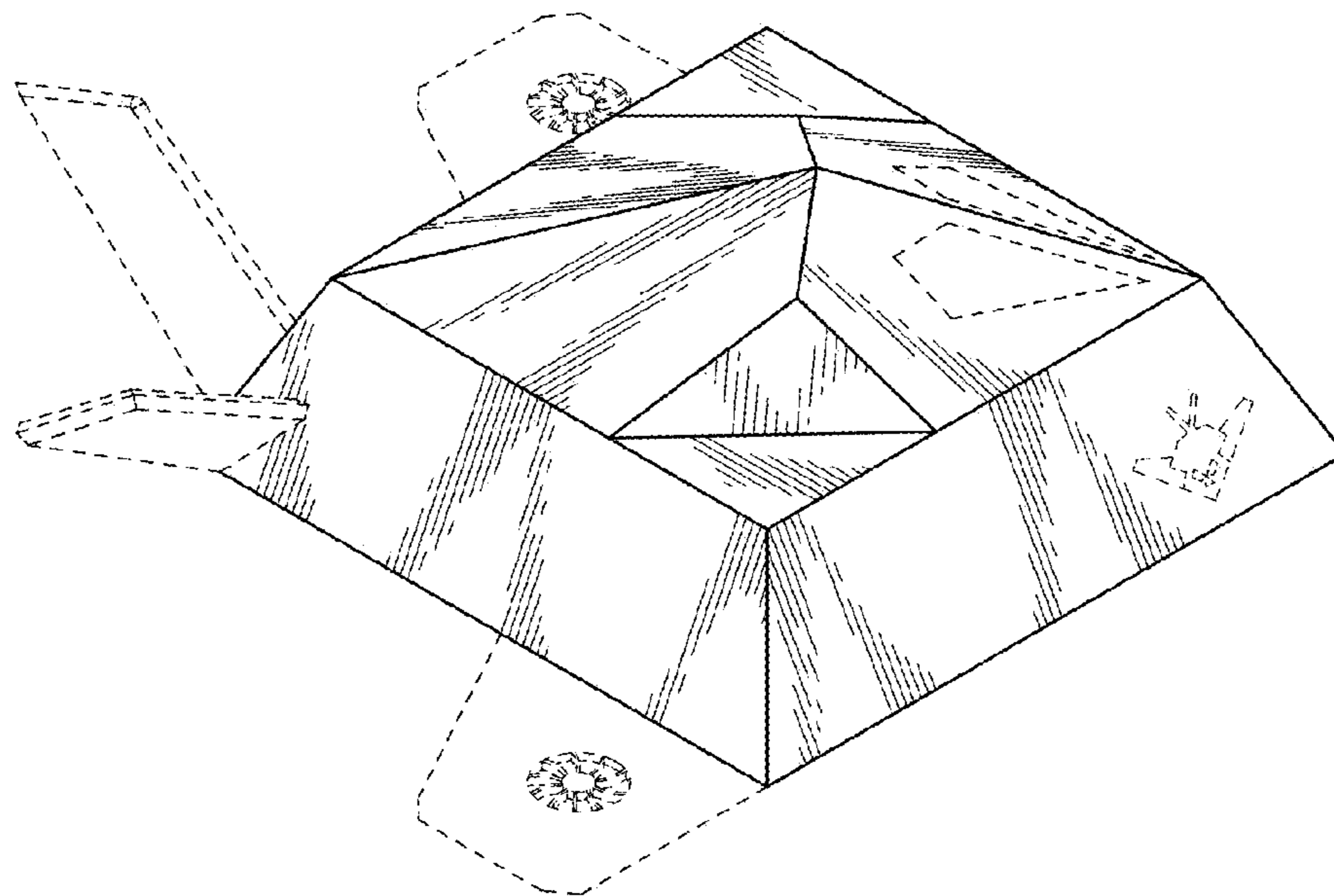


FIG. 3

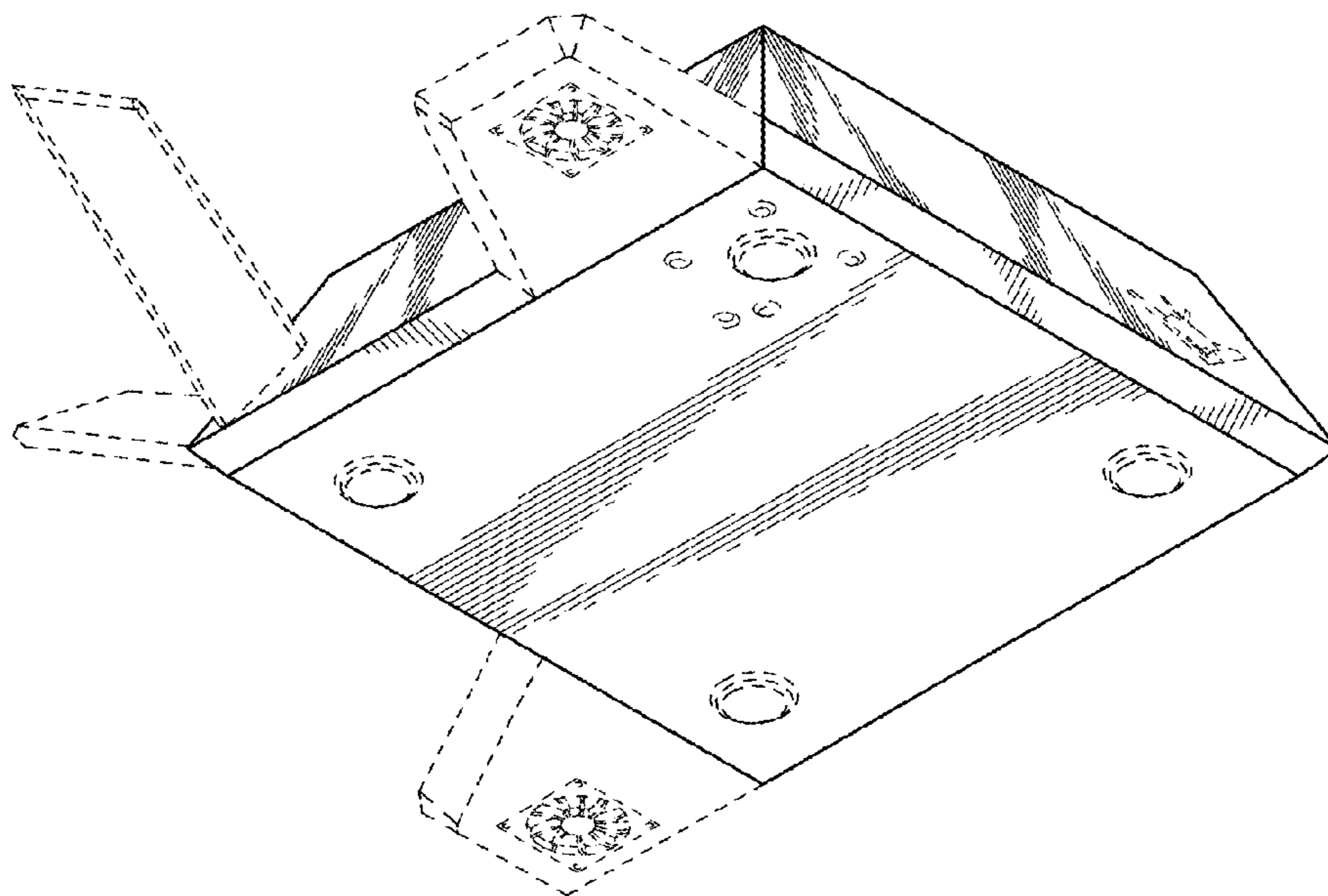


FIG. 4

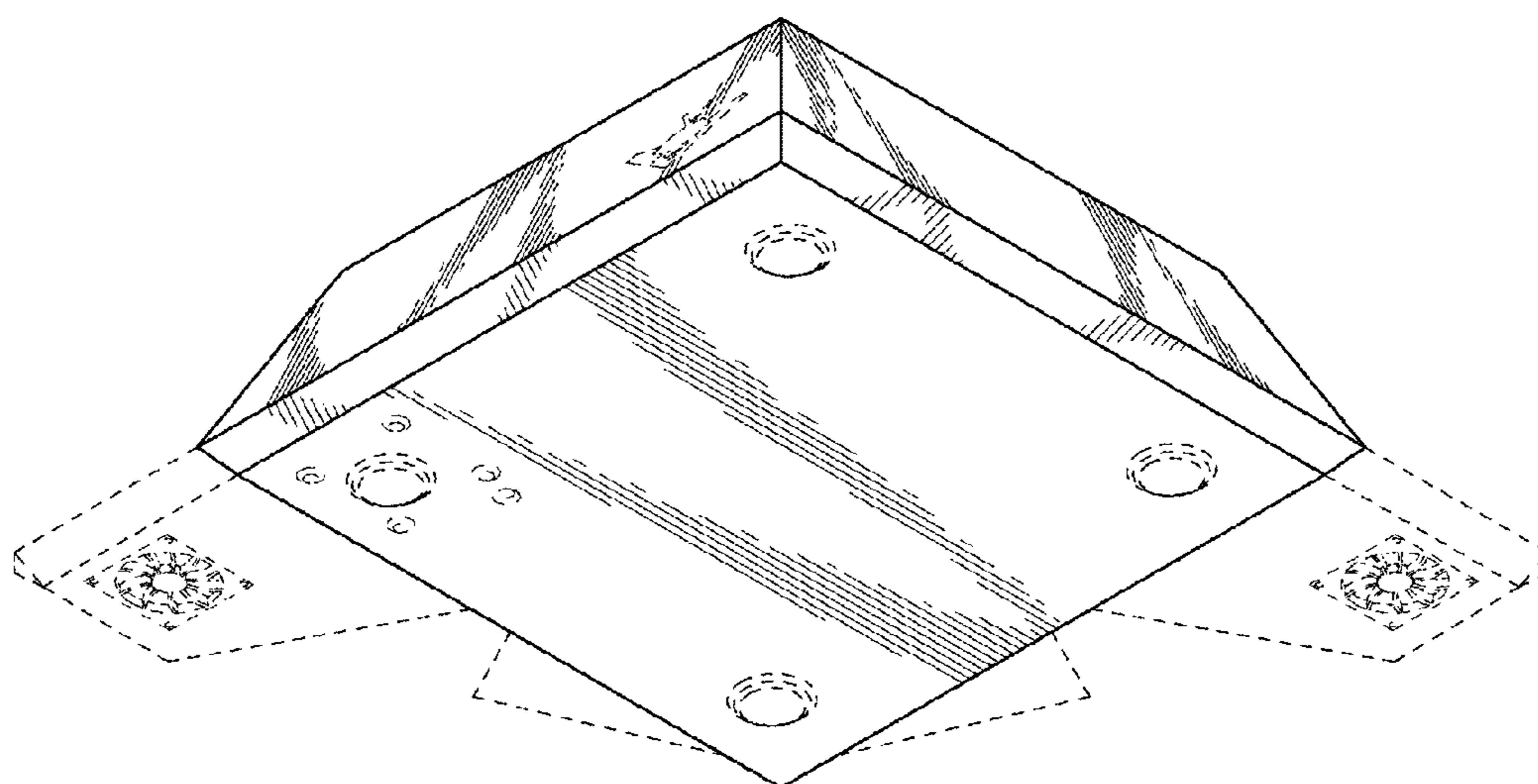


FIG. 5

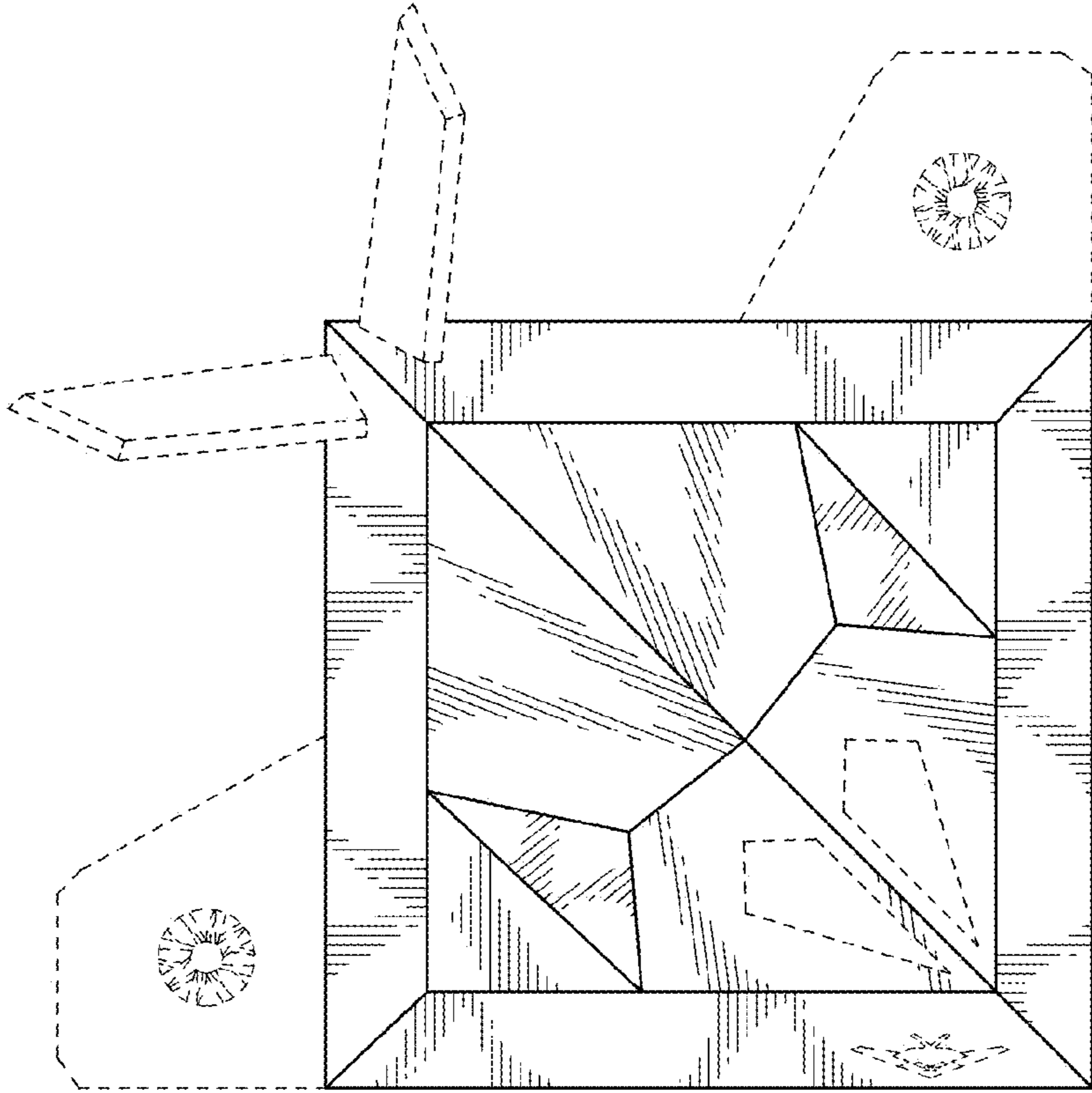


FIG. 6

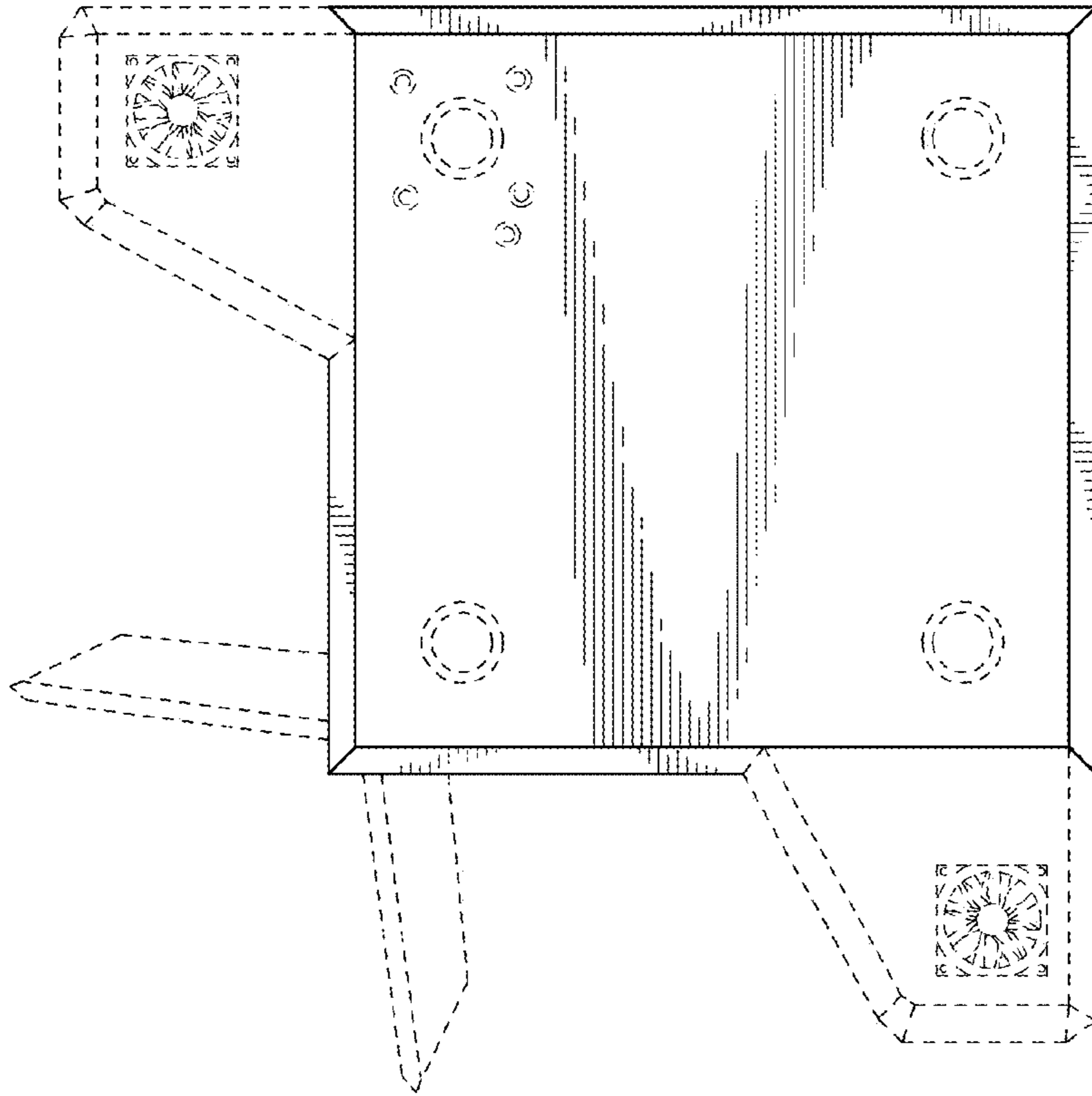


FIG. 7

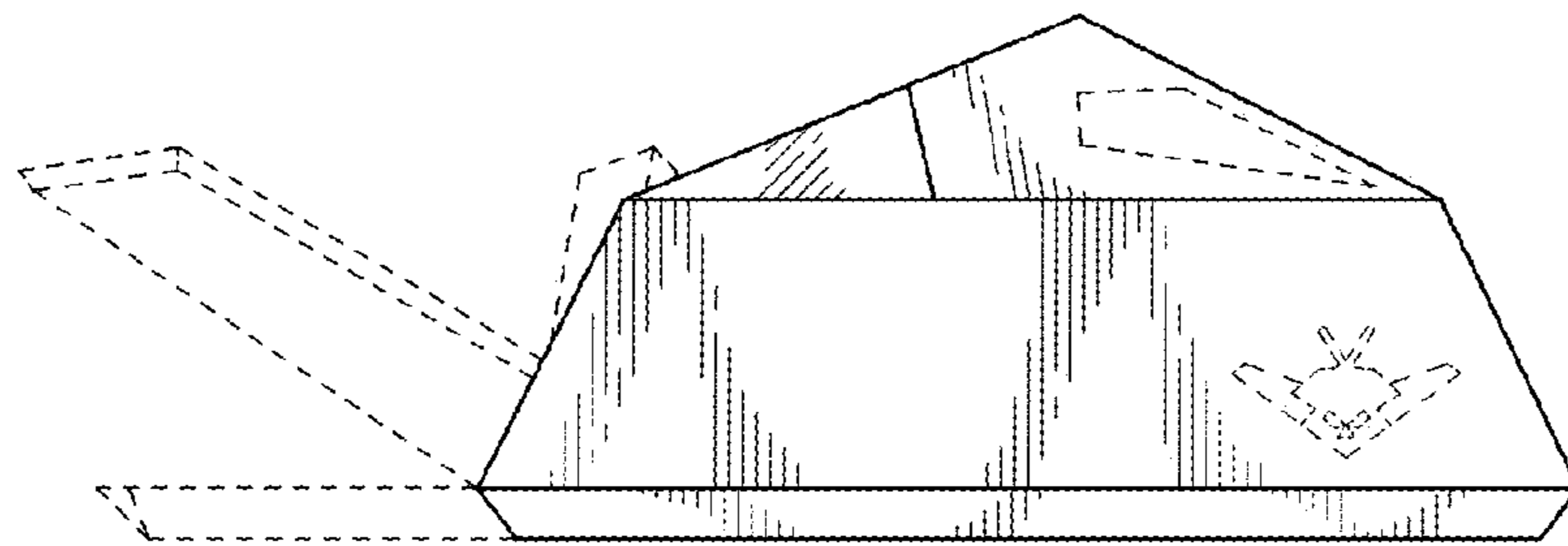


FIG. 8

