



US00D755791S

(12) **United States Design Patent**  
**Li**

(10) **Patent No.:** **US D755,791 S**  
(45) **Date of Patent:** **\*\* May 10, 2016**

- (54) **ADAPTER FOR PORTABLE DEVICE**
  - (71) Applicant: **GETAC TECHNOLOGY CORPORATION**, Hsinchu County (TW)
  - (72) Inventor: **Chun-Hsing Li**, New Taipei (TW)
  - (73) Assignee: **Getac Technology Corporation**, Hsinchu County (TW)
  - (\*\*) Term: **14 Years**
  - (21) Appl. No.: **29/520,915**
  - (22) Filed: **Mar. 18, 2015**
  - (51) **LOC (10) Cl.** ..... **14-02**
  - (52) **U.S. Cl.**  
USPC ..... **D14/433**
  - (58) **Field of Classification Search**  
USPC ..... D14/341-347, 424, 425, 432-453, 464, D14/468, 469, 471, 496, 511, 138 AA, D14/138 AD, 138 C, 138 G, 203.1-203.8, D14/217, 238.1, 248, 250, 257, 299; 361/679.01, 679.02, 679.03, 679.3, 361/679.55, 679.56; 455/550.1, 556.1, 455/556.2, 575.1, 575.3-575.5, 575.8, 90.3  
CPC ..... A45C 11/00; A45C 2011/003; B60R 11/0241; B60R 11/0252; F16M 13/00; F16M 11/00
- See application file for complete search history.

- (56) **References Cited**  
U.S. PATENT DOCUMENTS  
D337,305 S \* 7/1993 Ross ..... D13/133  
D415,111 S \* 10/1999 Lee ..... D13/147  
(Continued)

*Primary Examiner* — Austin Murphy  
(57) **CLAIM**

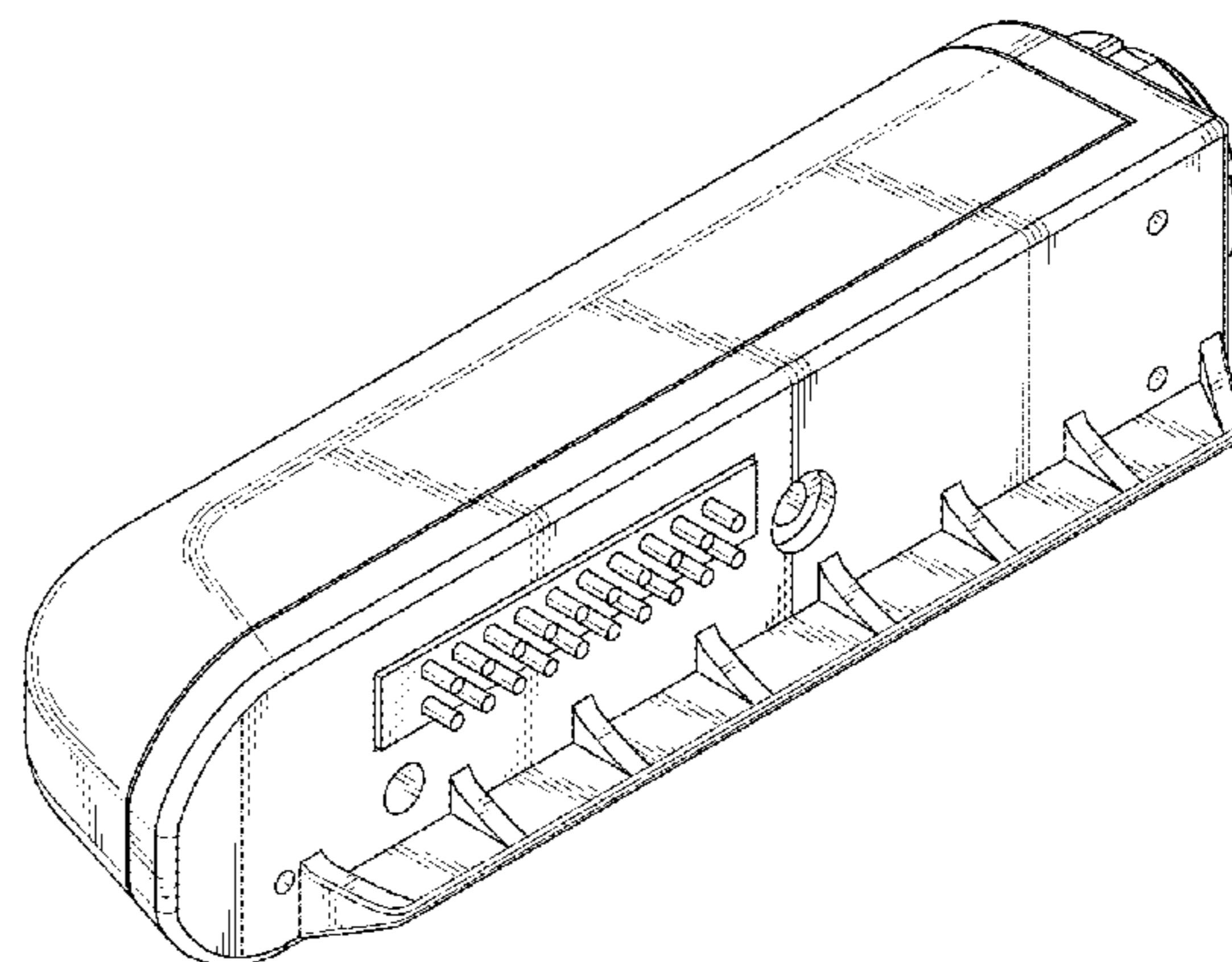
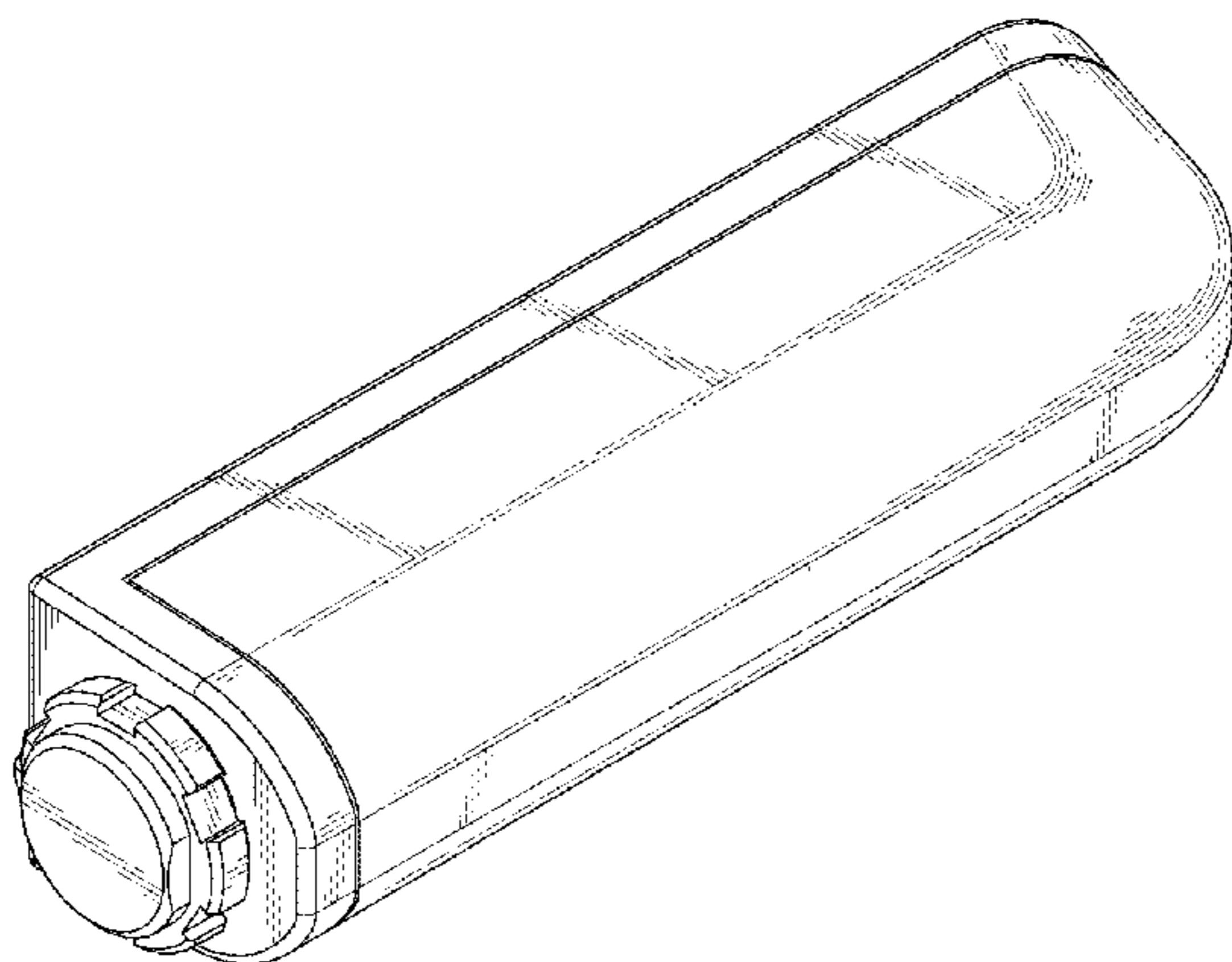
The ornamental design for an adapter for portable device, as shown and described.

**DESCRIPTION**

FIG. 1 is a top front left perspective view showing a first embodiment of my new design;  
 FIG. 2 is a bottom rear right perspective view of the first embodiment of my new design;  
 FIG. 3 is a front view of the first embodiment of my new design;  
 FIG. 4 is a rear view of the first embodiment of my new design;

FIG. 5 is a left side view of the first embodiment of my new design;  
 FIG. 6 is a right side view of the first embodiment of my new design;  
 FIG. 7 is a top view of the first embodiment of my new design;  
 FIG. 8 is a bottom view of the first embodiment of my new design;  
 FIG. 9 is a top front left perspective view showing a second embodiment of my new design;  
 FIG. 10 is a bottom front right perspective view of the second embodiment of my new design;  
 FIG. 11 is a bottom rear right perspective view of the second embodiment of my new design;  
 FIG. 12 is a front view of the second embodiment of my new design;  
 FIG. 13 is a rear view of the second embodiment of my new design;  
 FIG. 14 is a left side view of the second embodiment of my new design;  
 FIG. 15 is a right side view of the second embodiment of my new design;  
 FIG. 16 is a top view of the second embodiment of my new design;  
 FIG. 17 is a bottom view of the second embodiment of my new design;  
 FIG. 18 is a reference perspective view of the second embodiment of my new design installed on a portable electronic device;  
 FIG. 19 is a top front left perspective view showing a third embodiment of my new design;  
 FIG. 20 is a bottom front right perspective view of the third embodiment of my new design;  
 FIG. 21 is a bottom rear right perspective view of the third embodiment of my new design;  
 FIG. 22 is a front view of the third embodiment of my new design;  
 FIG. 23 is a rear view of the third embodiment of my new design;  
 FIG. 24 is a left side view of the third embodiment of my new design;  
 FIG. 25 is a right side view of the third embodiment of my new design;  
 FIG. 26 is a top view of the third embodiment of my new design; and,  
 FIG. 27 is a bottom view of the third embodiment of my new design.

**1 Claim, 16 Drawing Sheets**



(56)

**References Cited**

U.S. PATENT DOCUMENTS

D445,764 S \* 7/2001 Lee ..... D13/146  
D471,870 S \* 3/2003 Lee ..... D13/147  
D510,930 S \* 10/2005 Deguchi ..... D14/240  
D524,759 S \* 7/2006 Wada ..... D13/156  
D618,178 S \* 6/2010 Andre ..... D13/147  
D645,022 S \* 9/2011 Lee ..... D13/154

D696,631 S \* 12/2013 Price ..... D13/147  
D704,578 S \* 5/2014 Chen ..... D10/70  
D706,117 S \* 6/2014 Toimil ..... D13/154  
D709,892 S \* 7/2014 Lui ..... D14/433  
D714,709 S \* 10/2014 Bussard ..... D12/220  
D717,274 S \* 11/2014 Burgett ..... D14/205  
D723,565 S \* 3/2015 Kujawski ..... D14/411  
D728,528 S \* 5/2015 Akana ..... D14/218  
D733,067 S \* 6/2015 Dendas ..... D13/155

\* cited by examiner

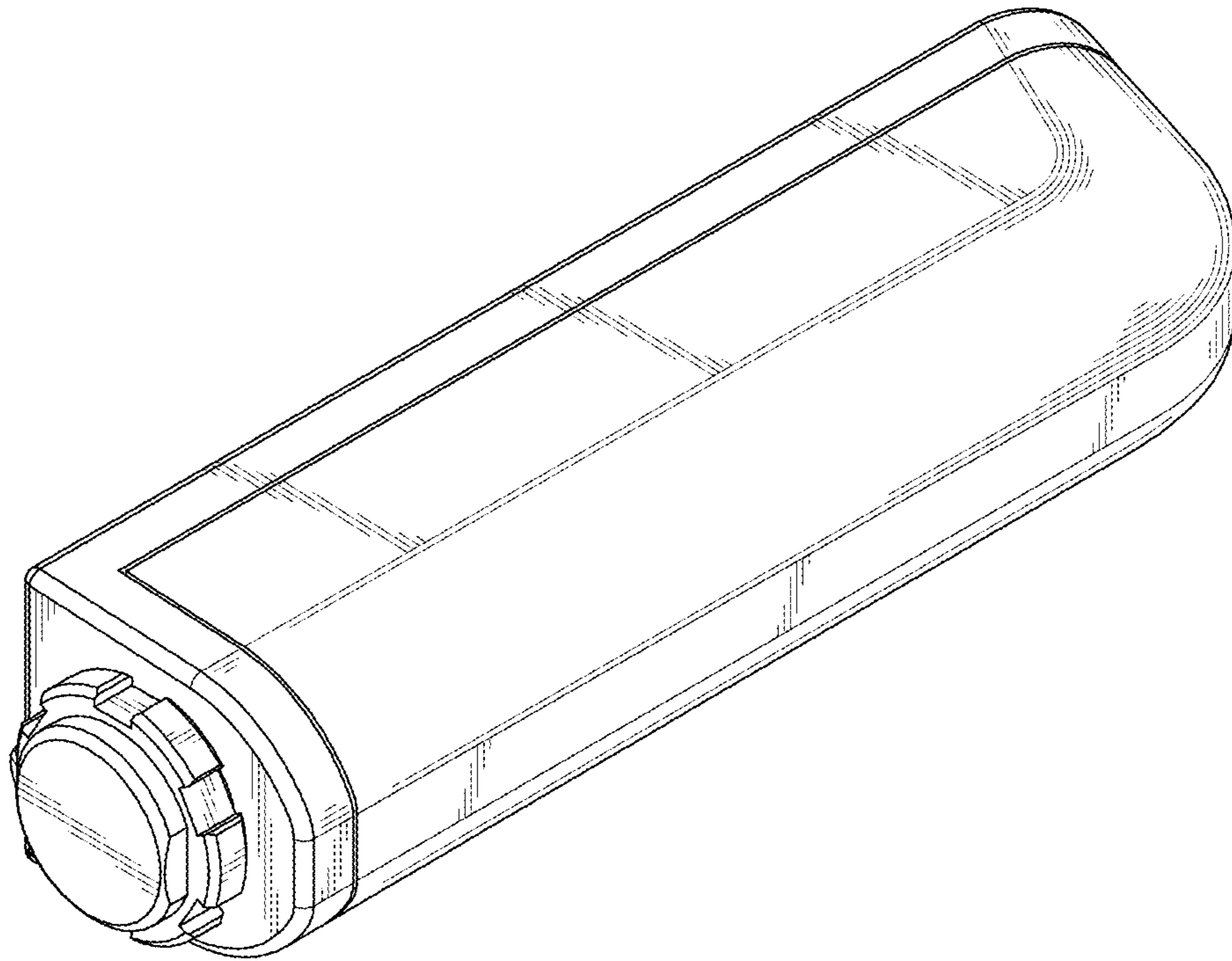


FIG. 1

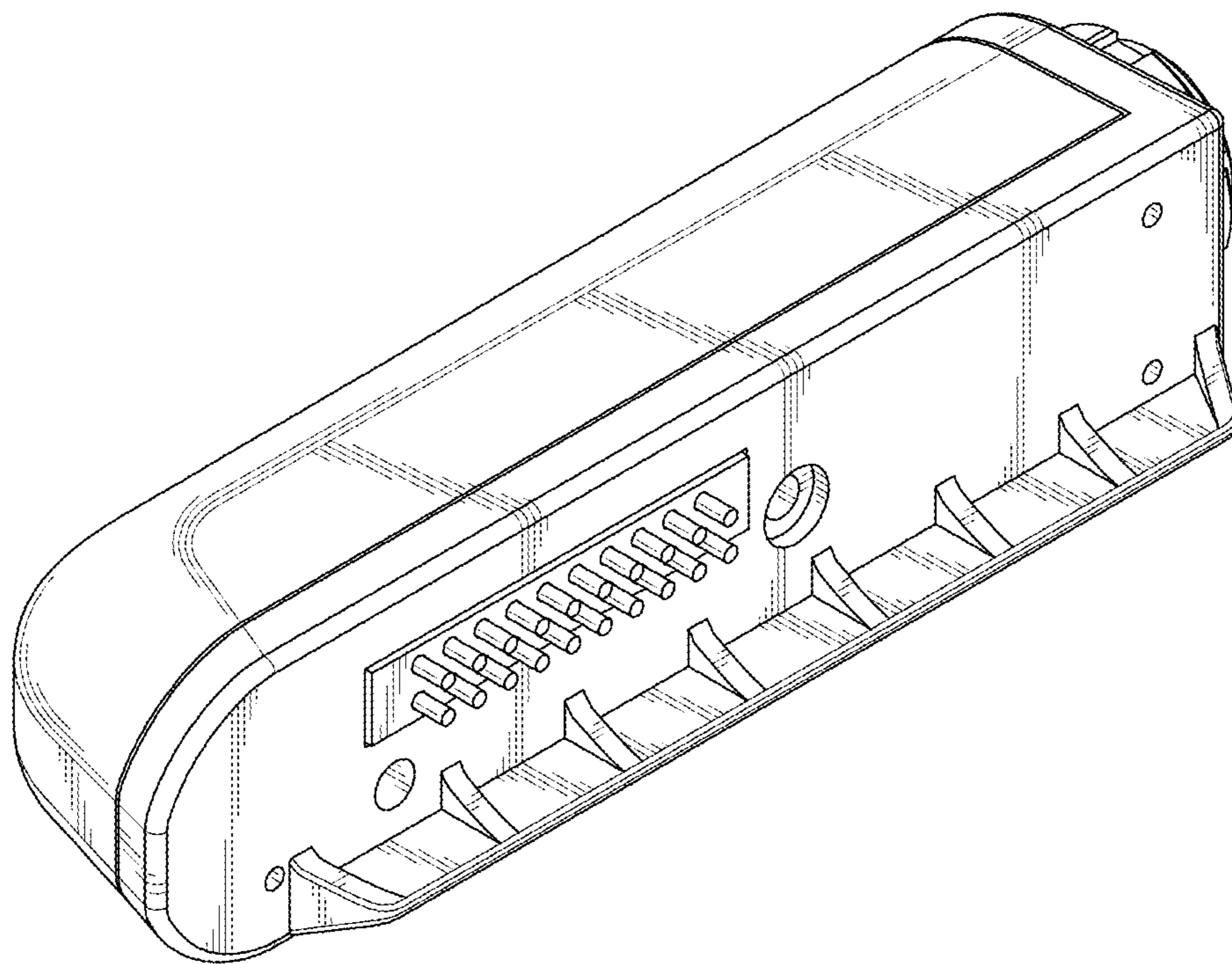


FIG. 2



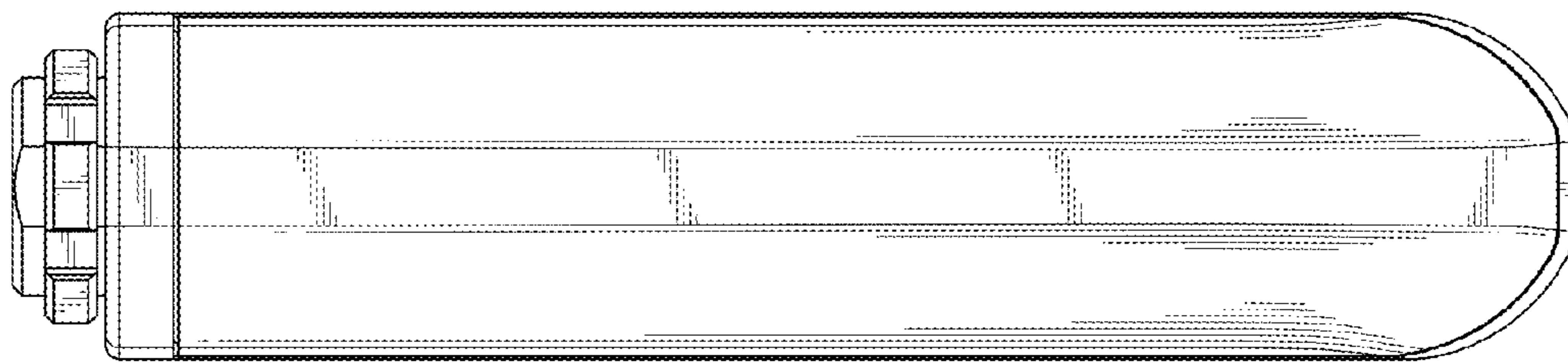


FIG. 3

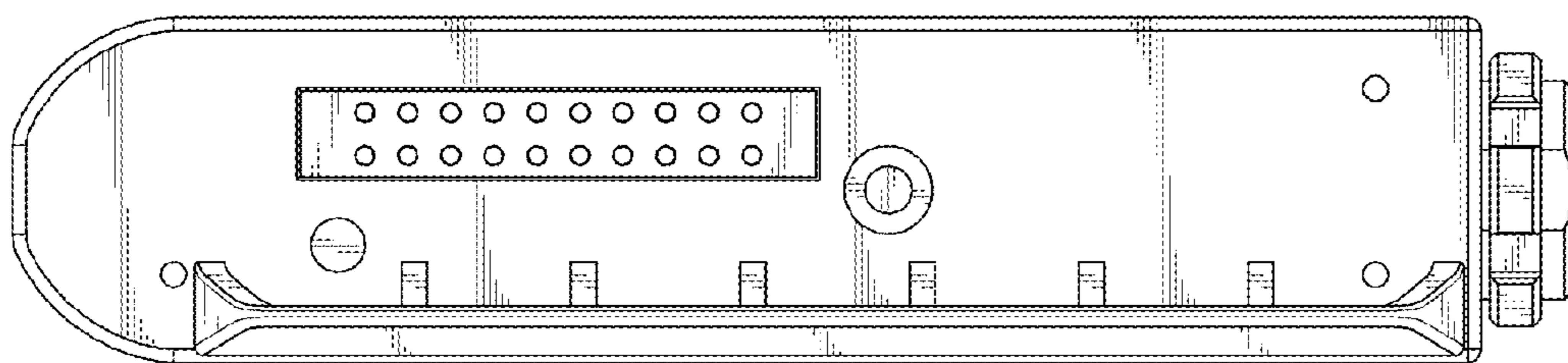


FIG. 4

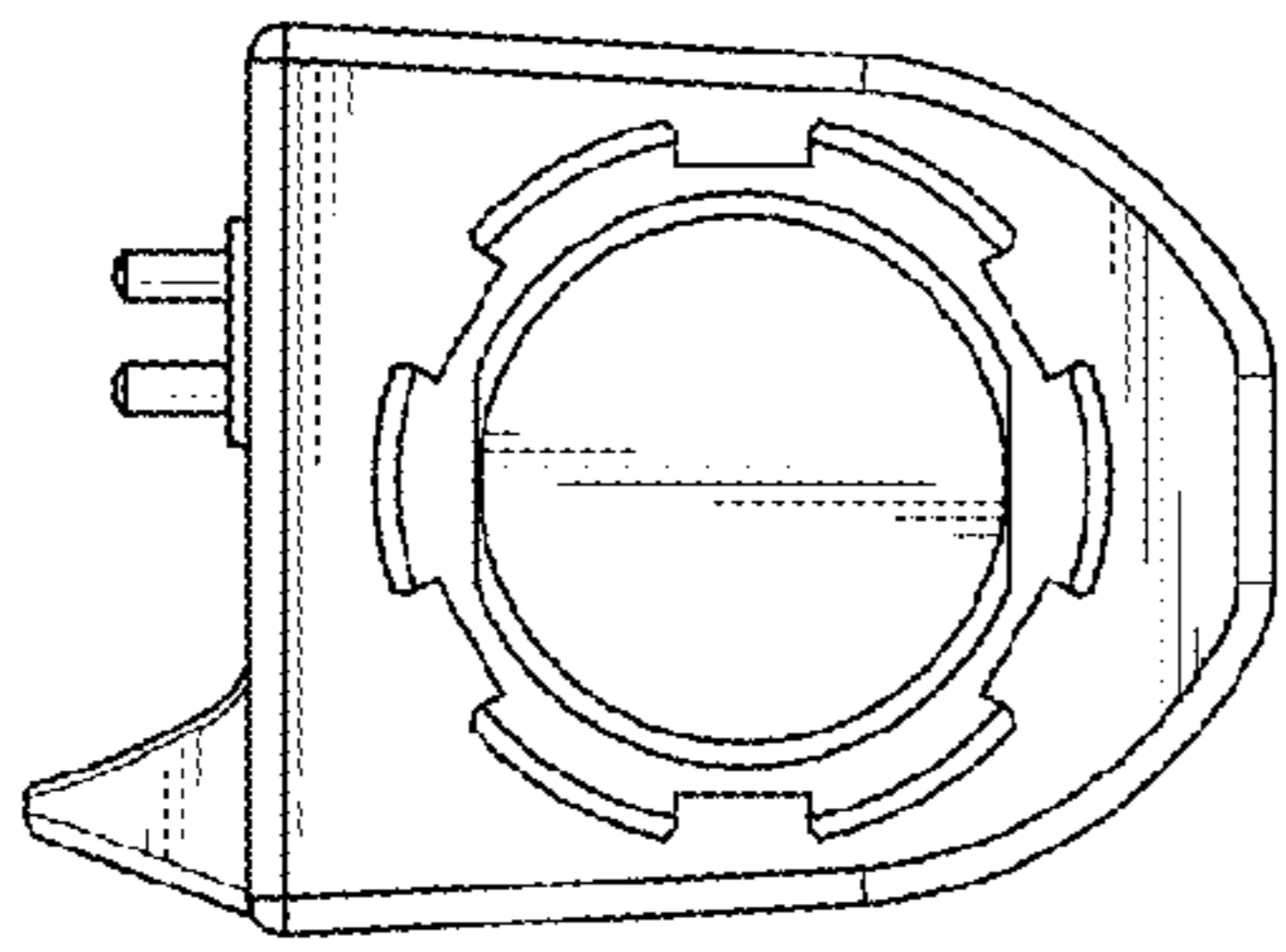


FIG. 5

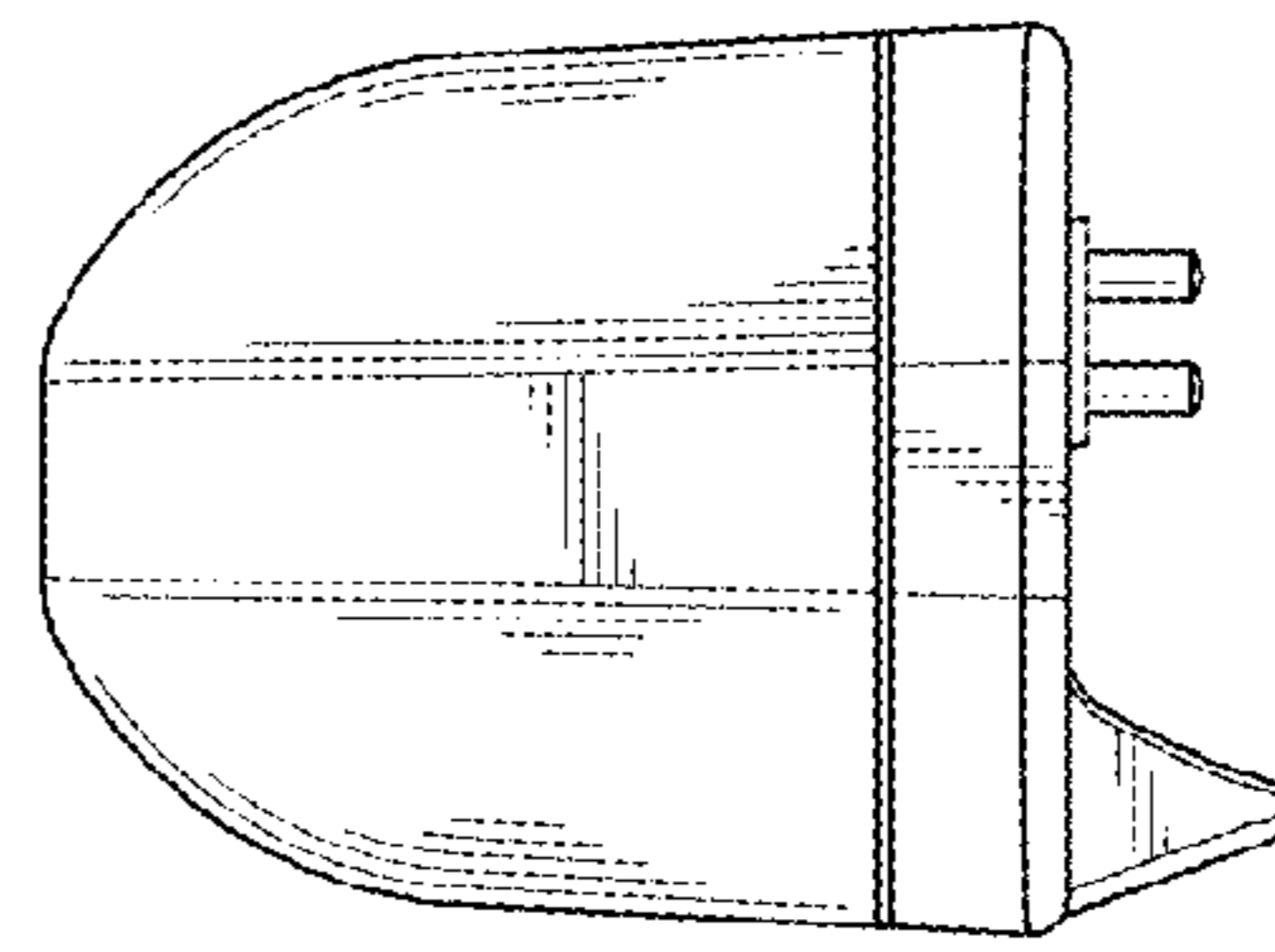


FIG. 6

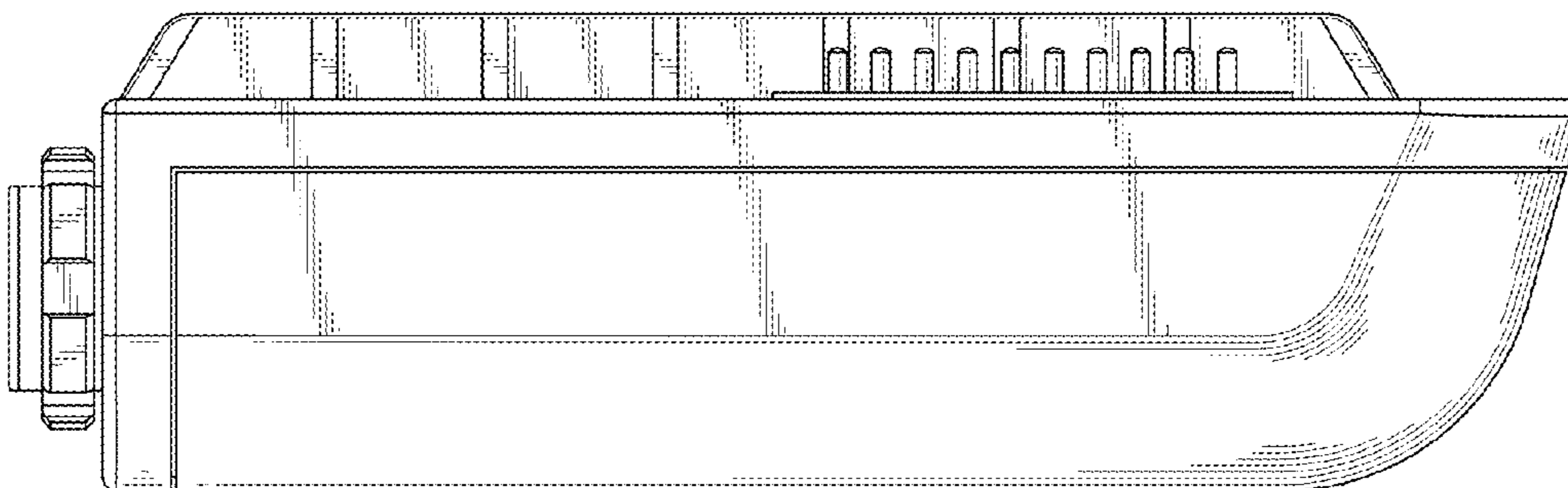


FIG. 7

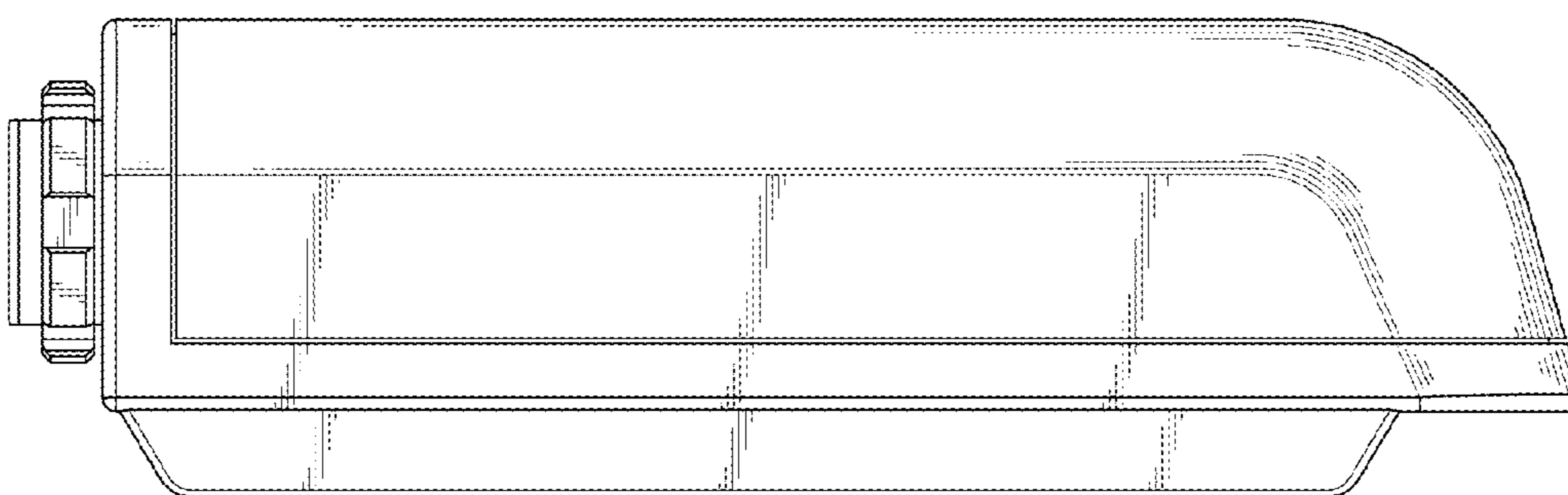


FIG. 8

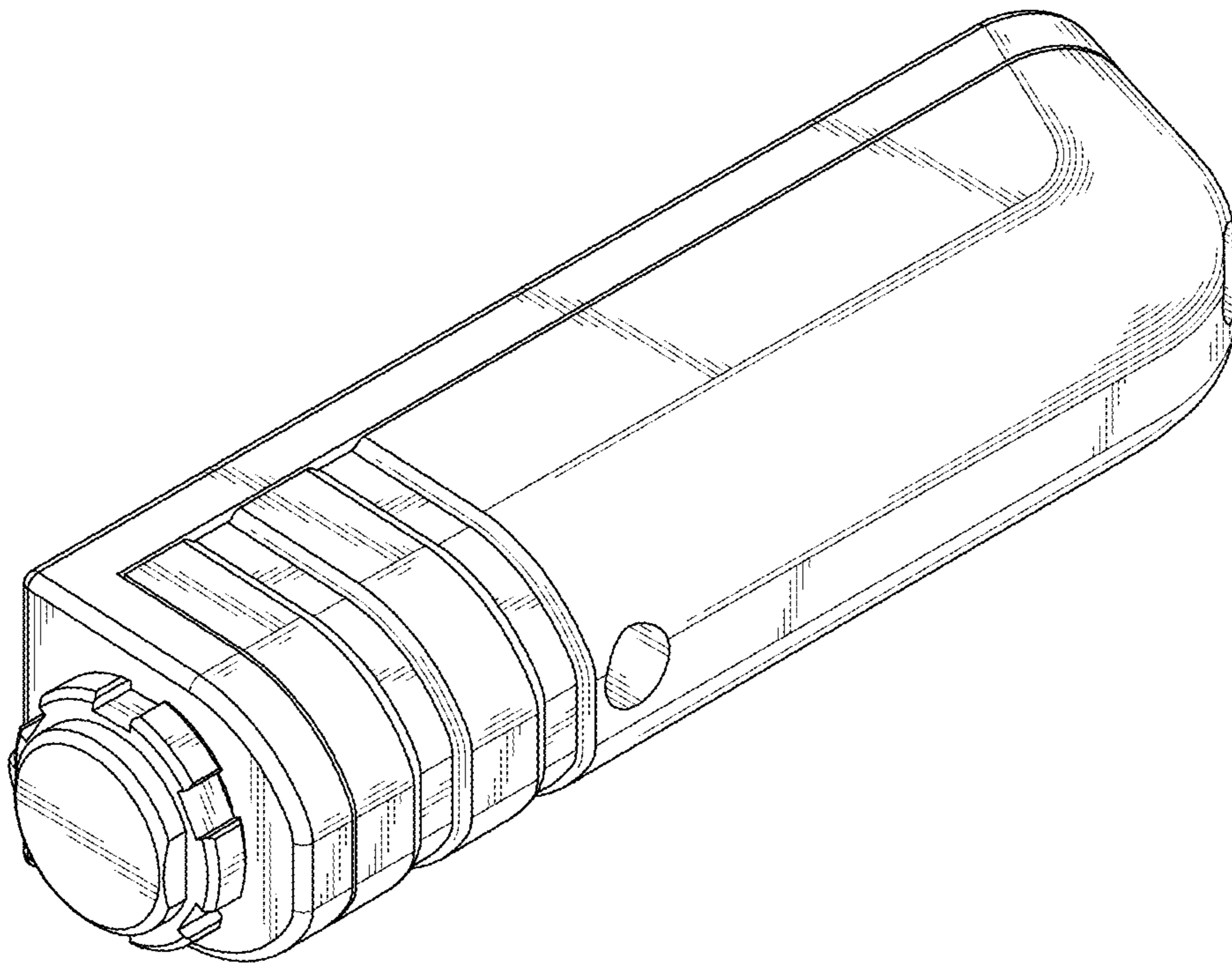


FIG. 9



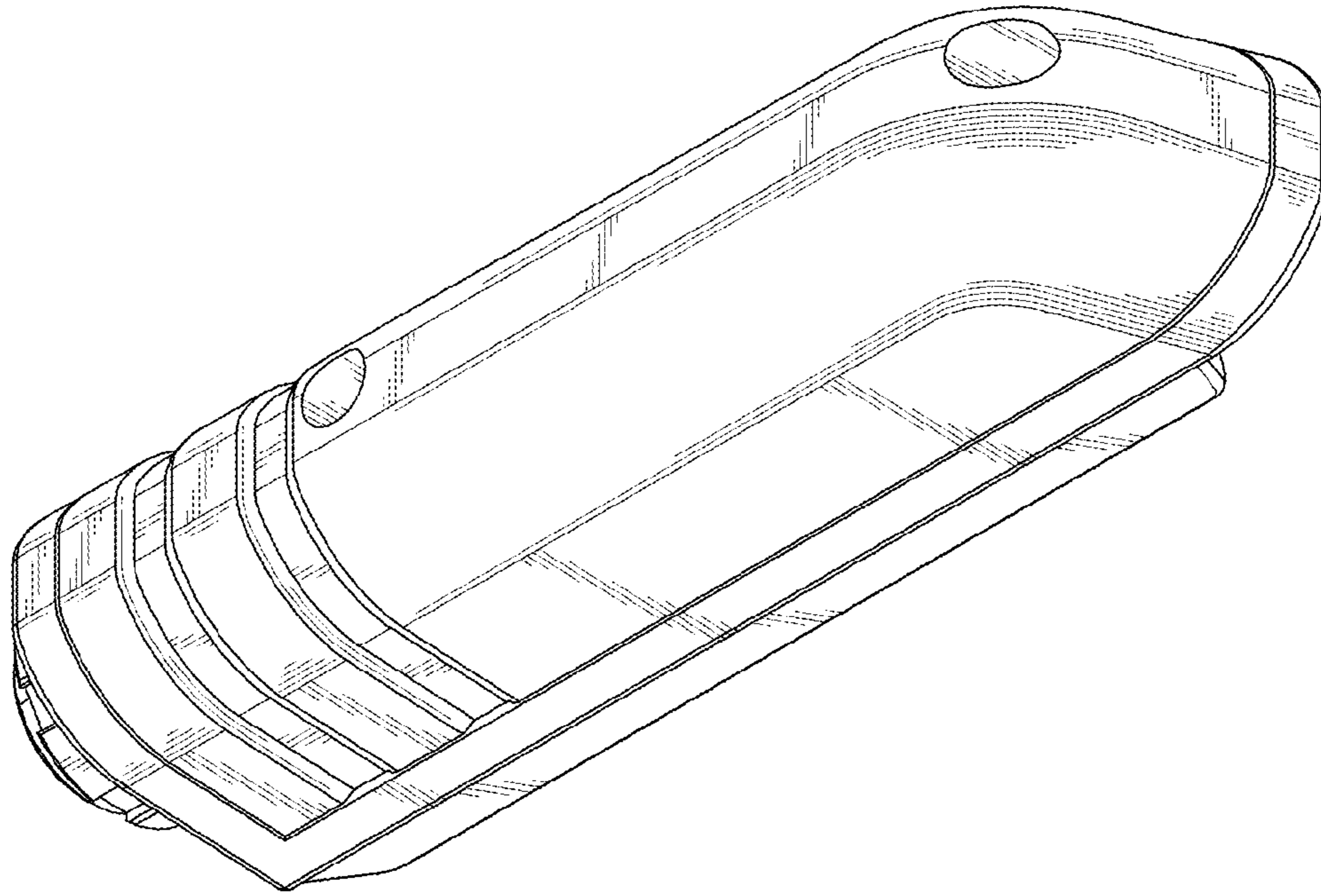


FIG. 10

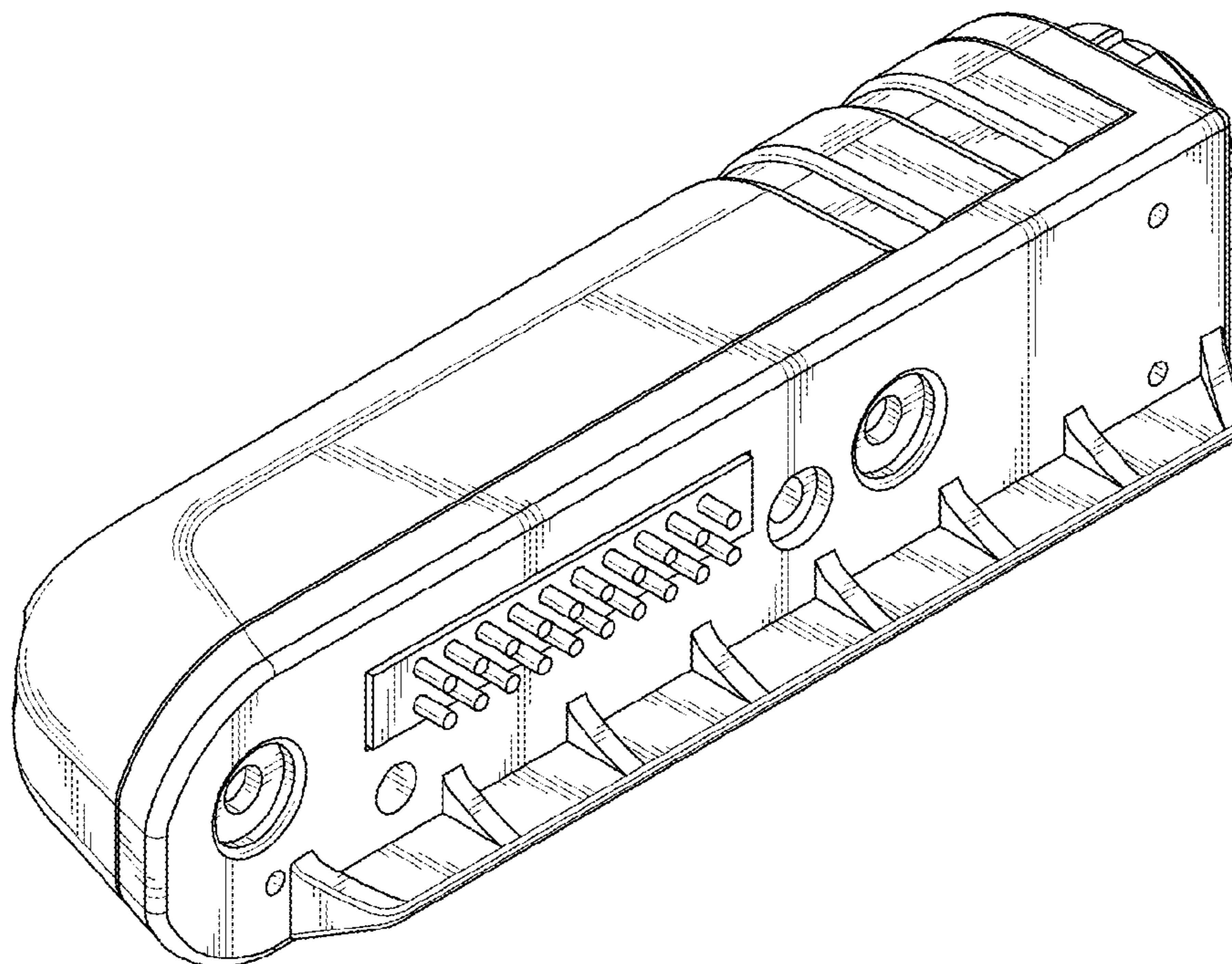


FIG. 11

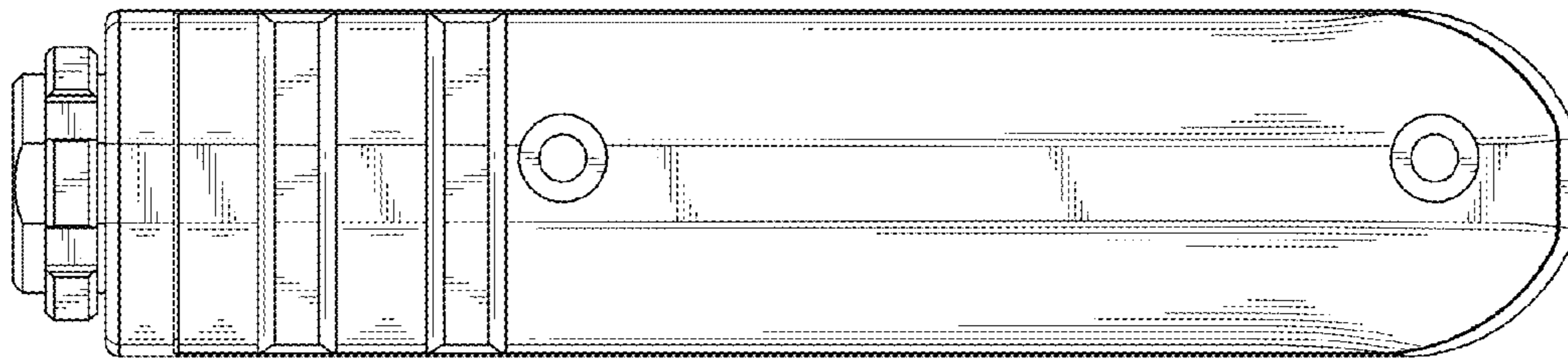


FIG. 12

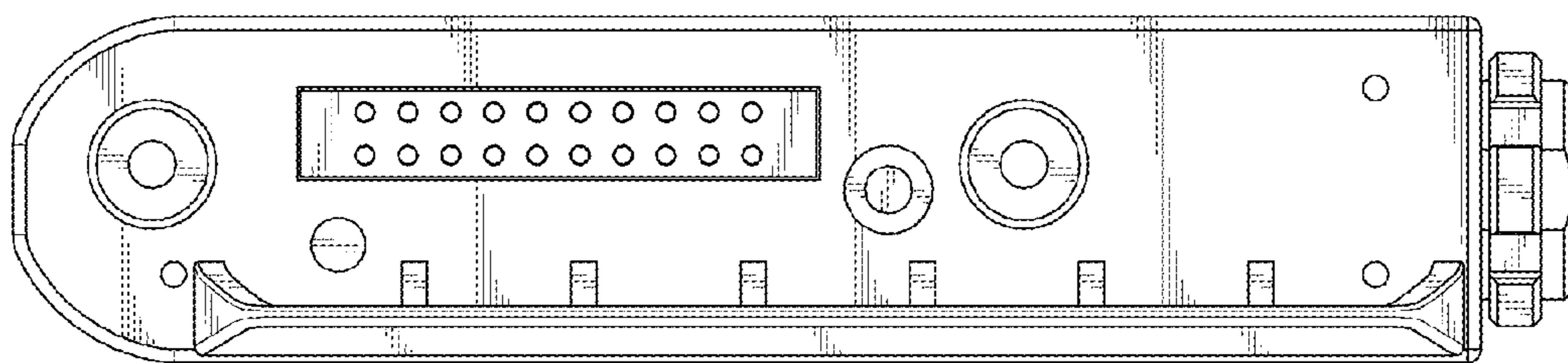


FIG. 13

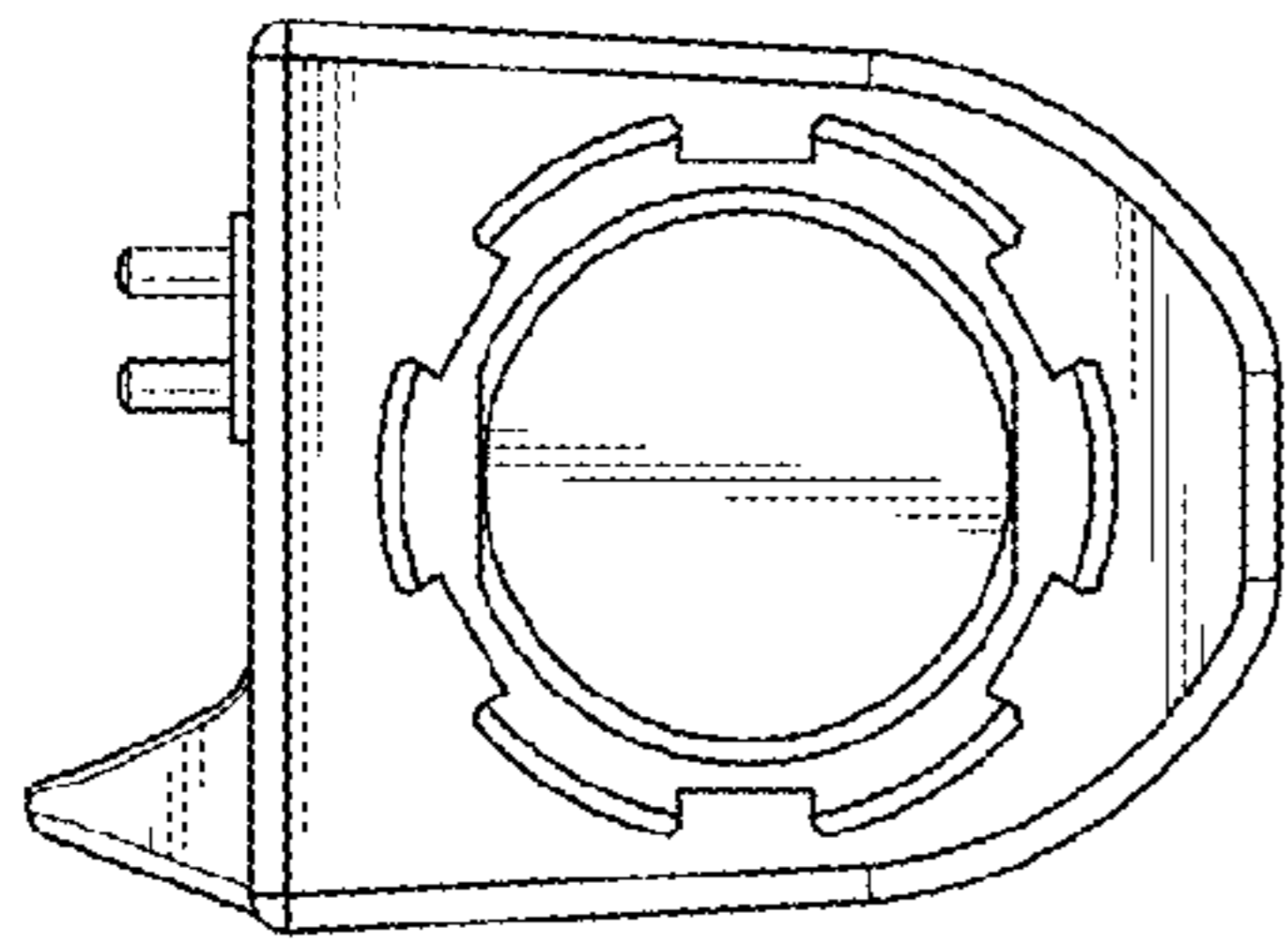


FIG. 14

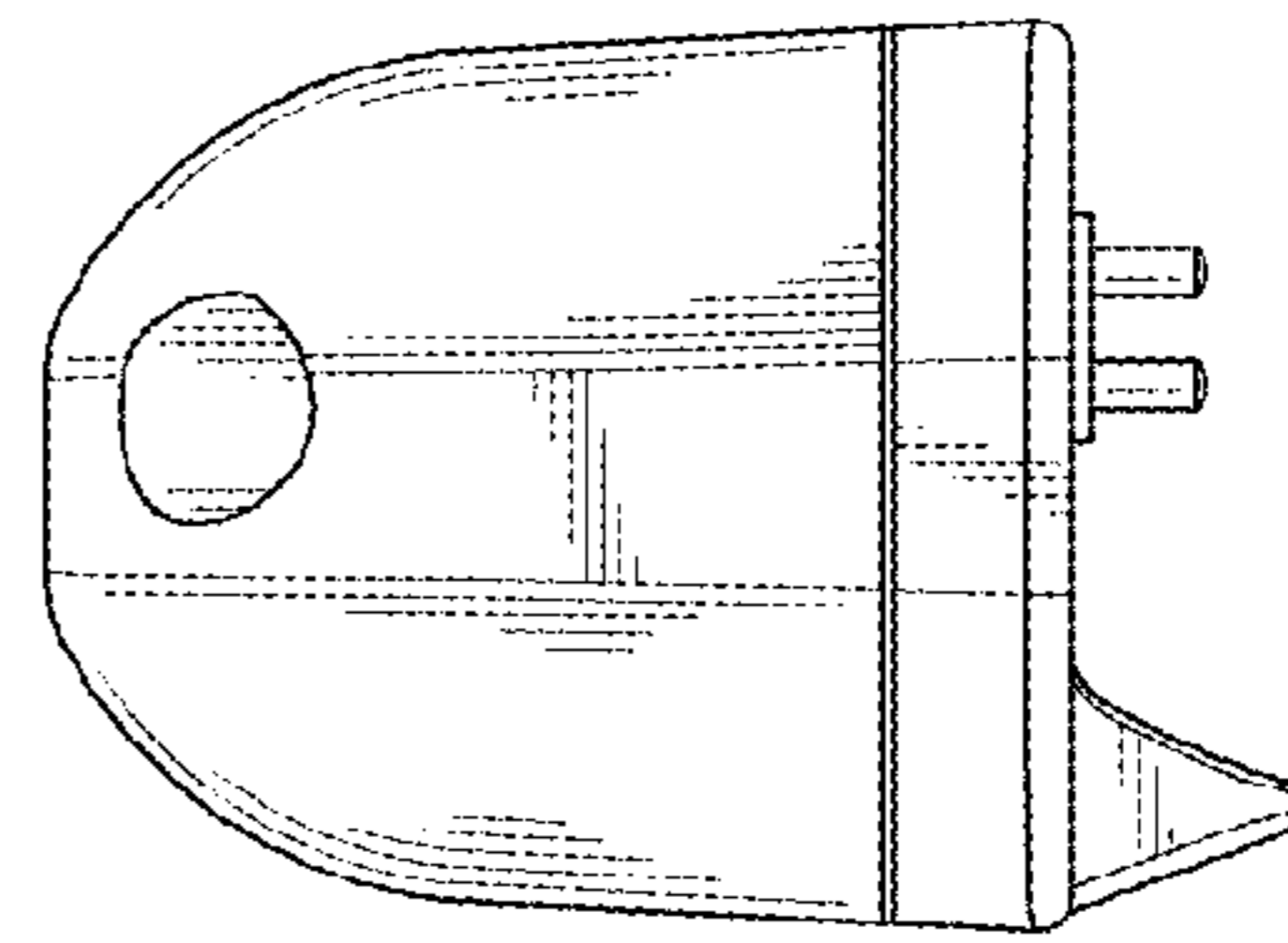


FIG. 15

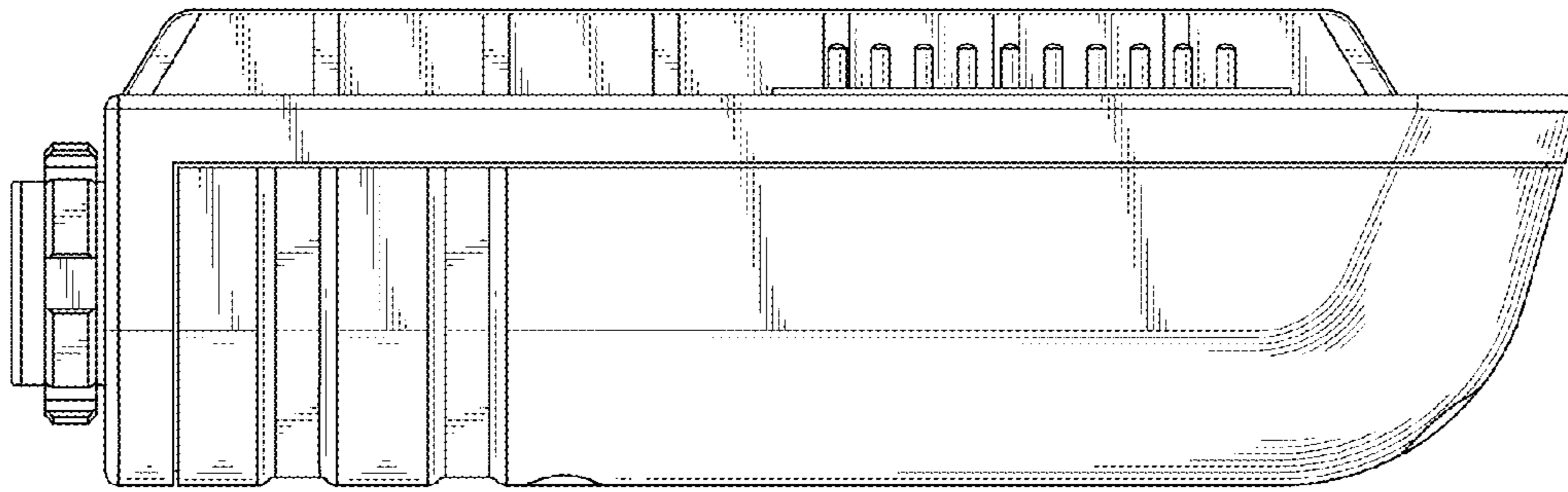


FIG. 16

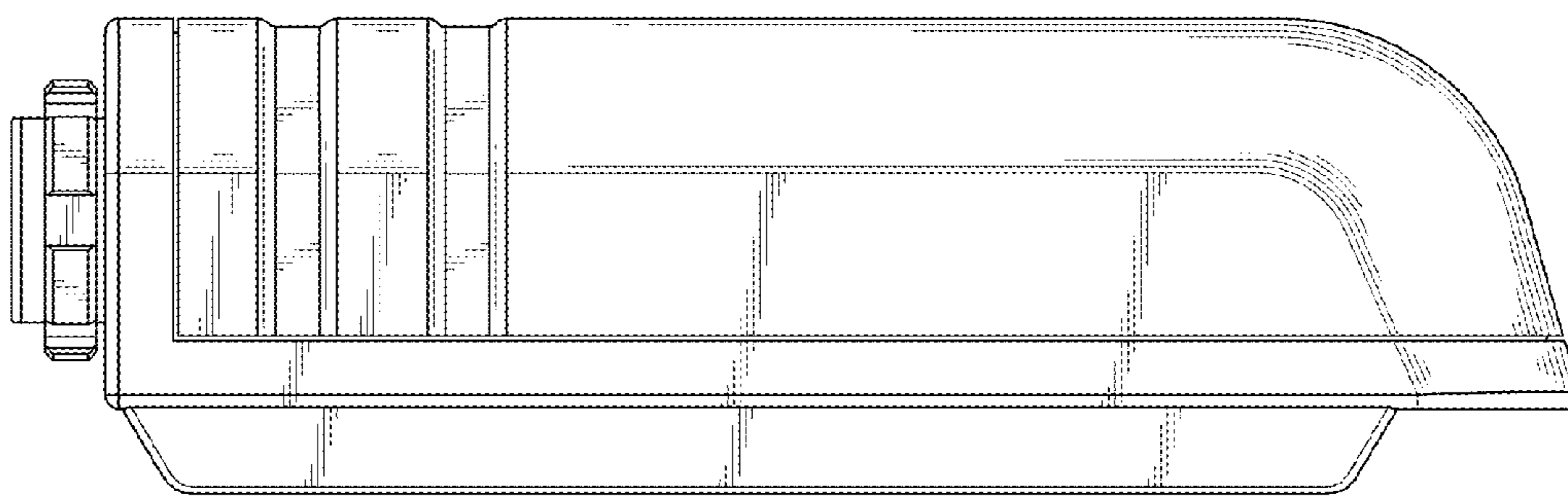


FIG. 17

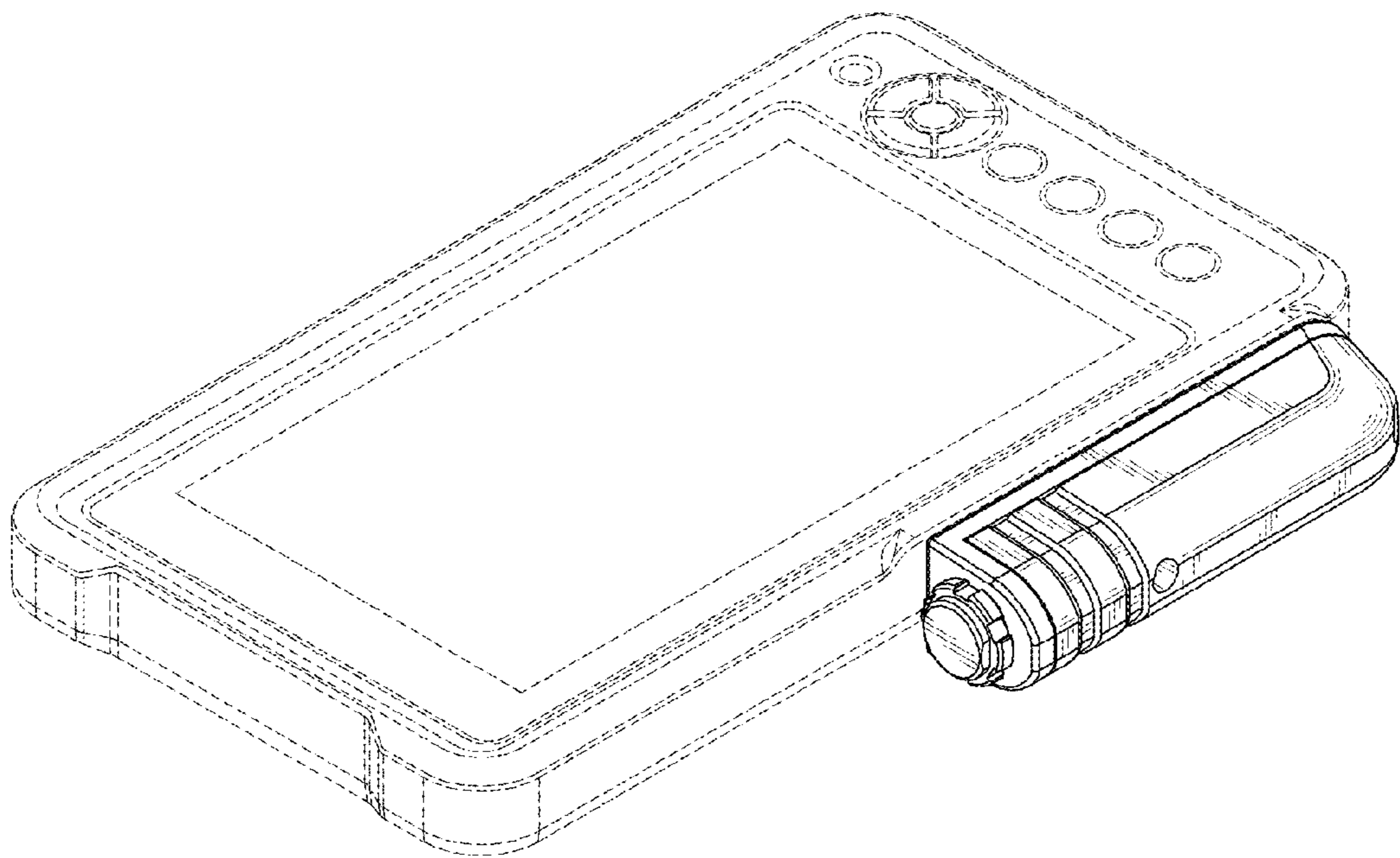


FIG. 18



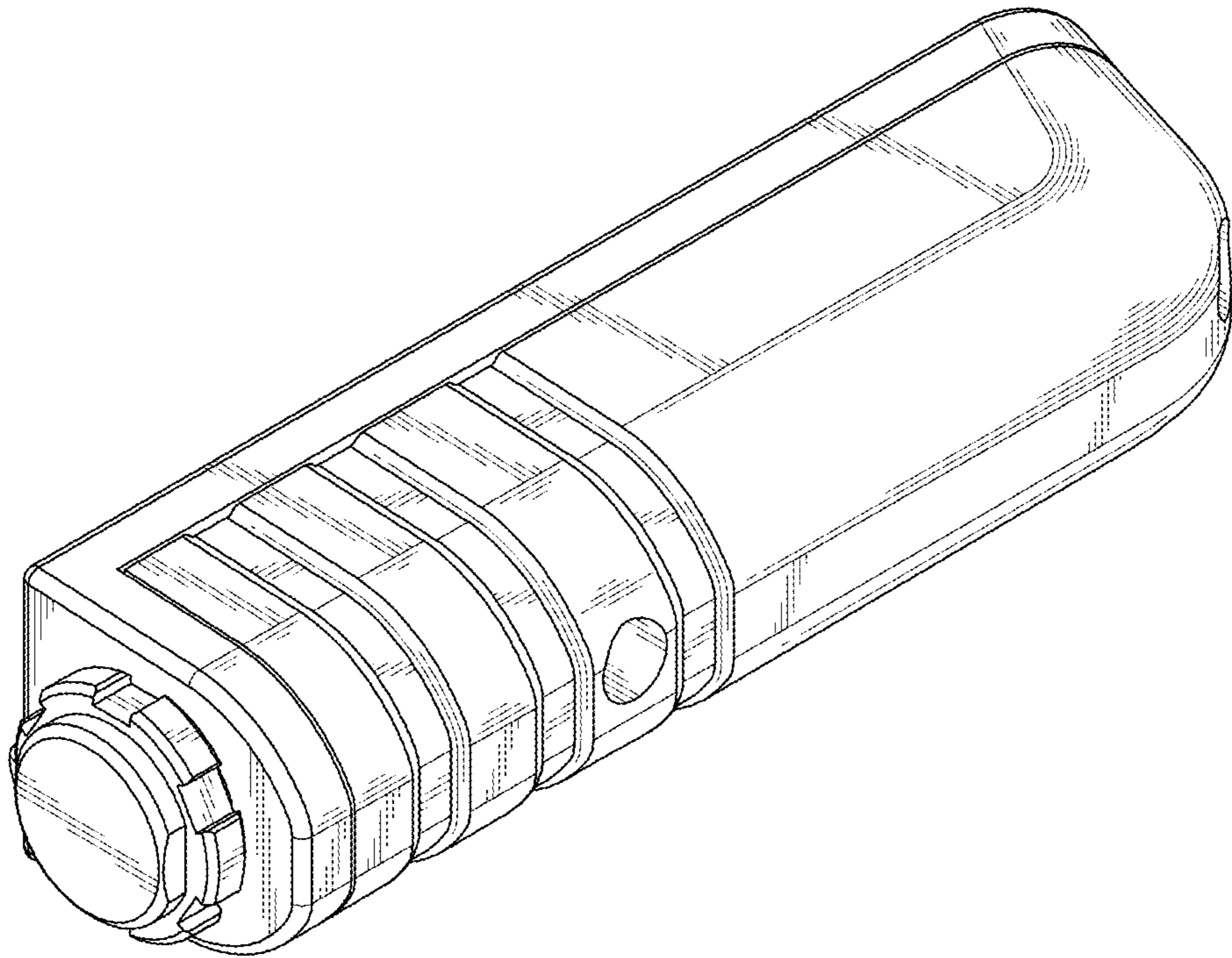


FIG. 19

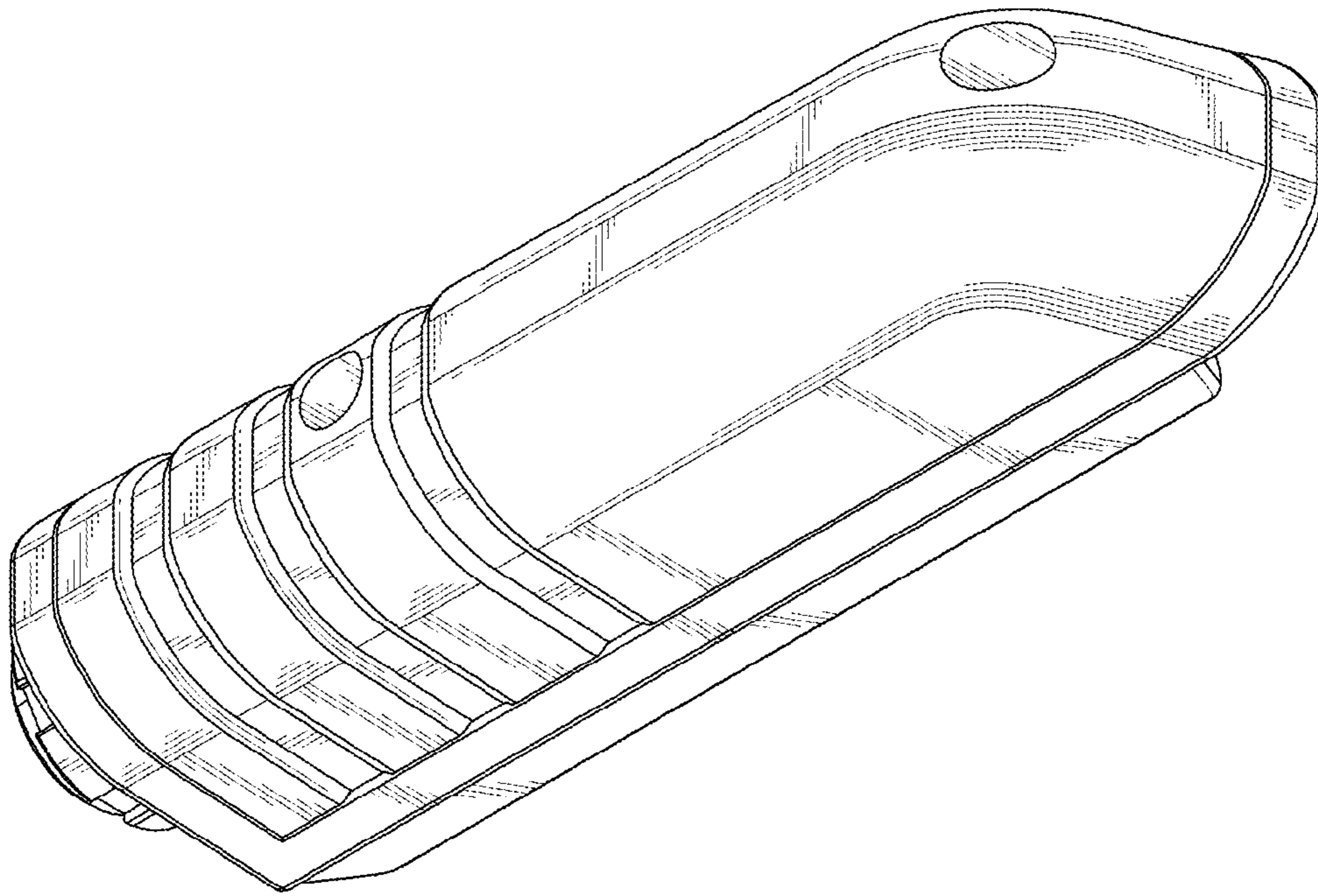


FIG. 20

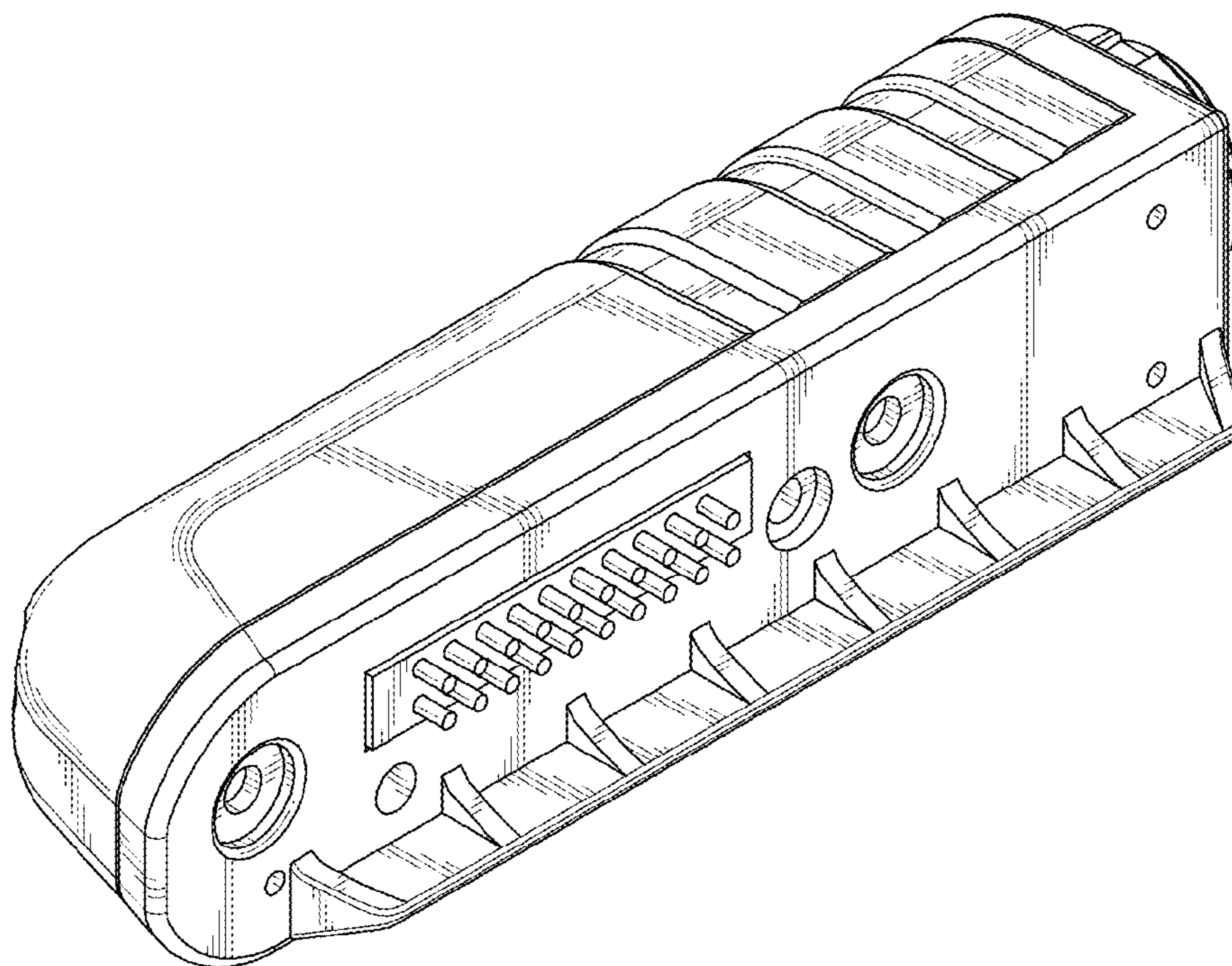


FIG. 21

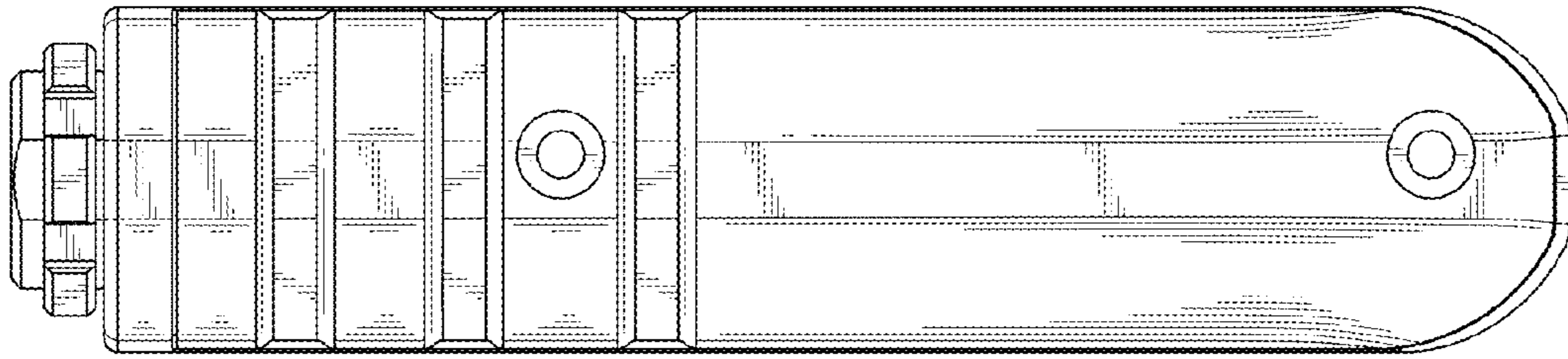


FIG. 22

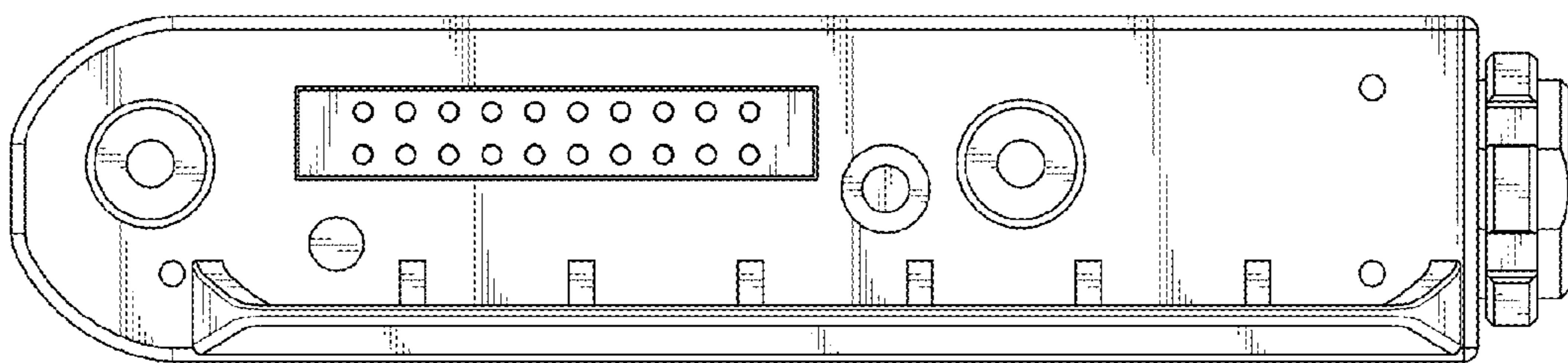


FIG. 23

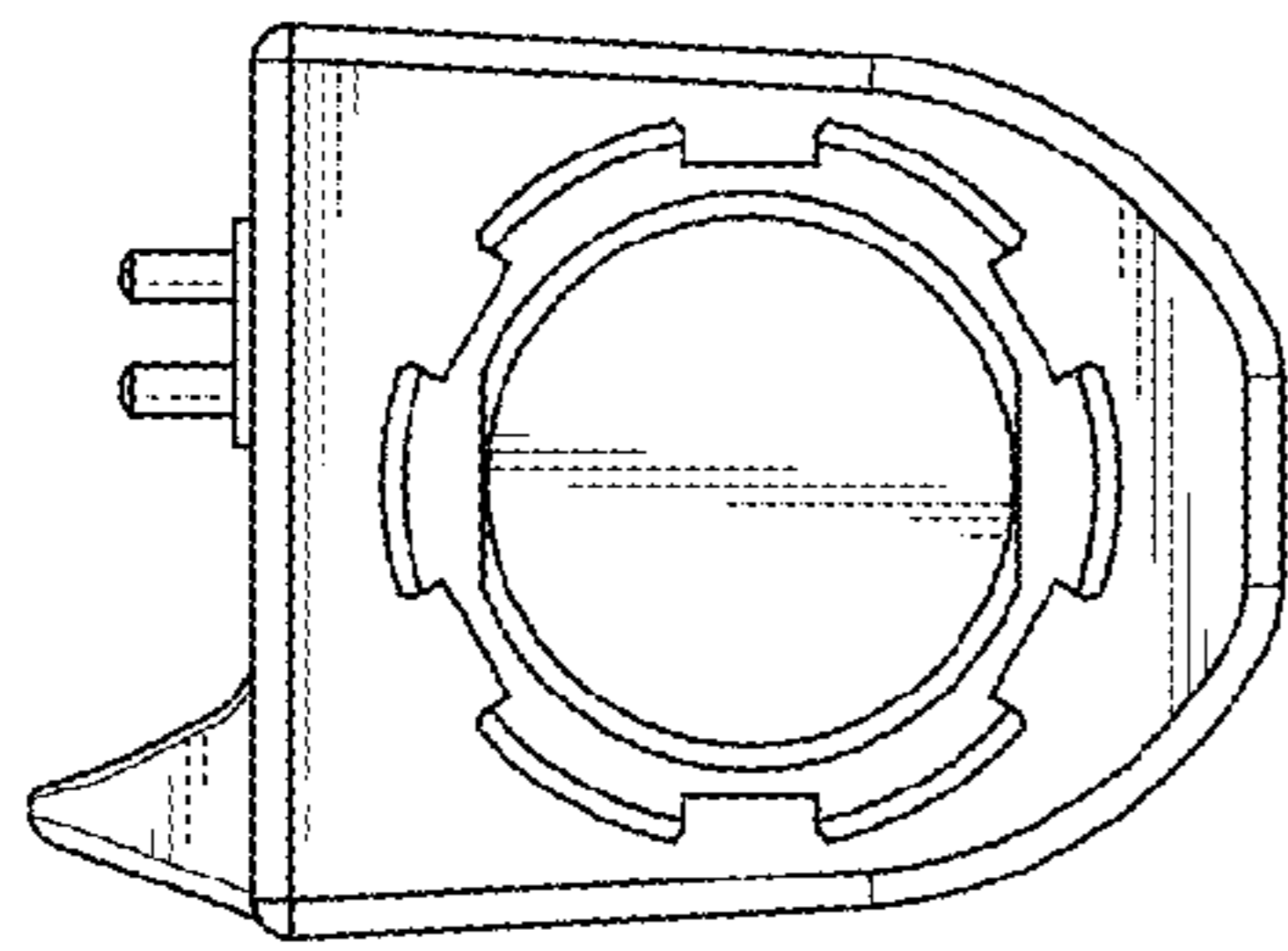


FIG. 24

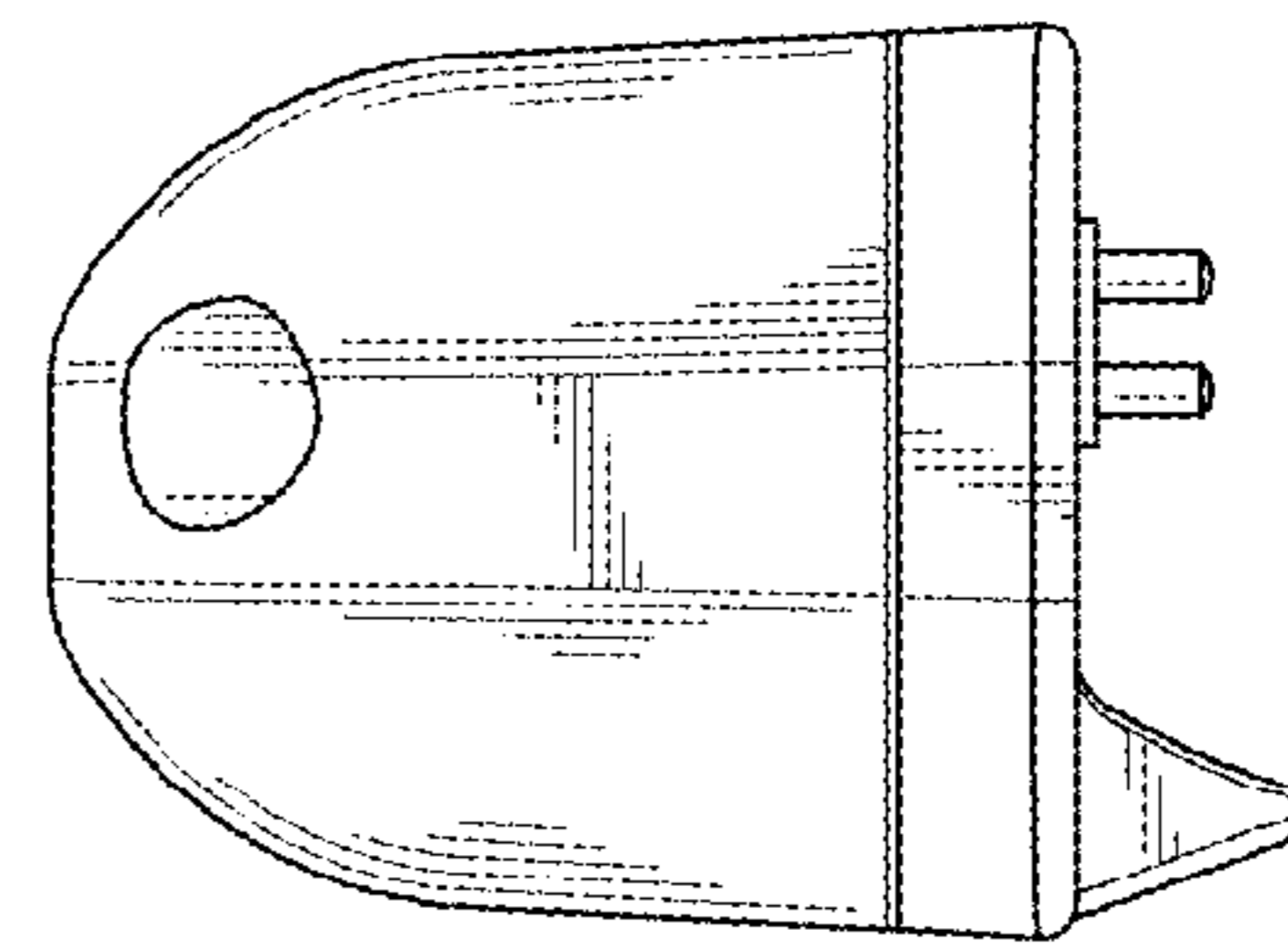


FIG. 25

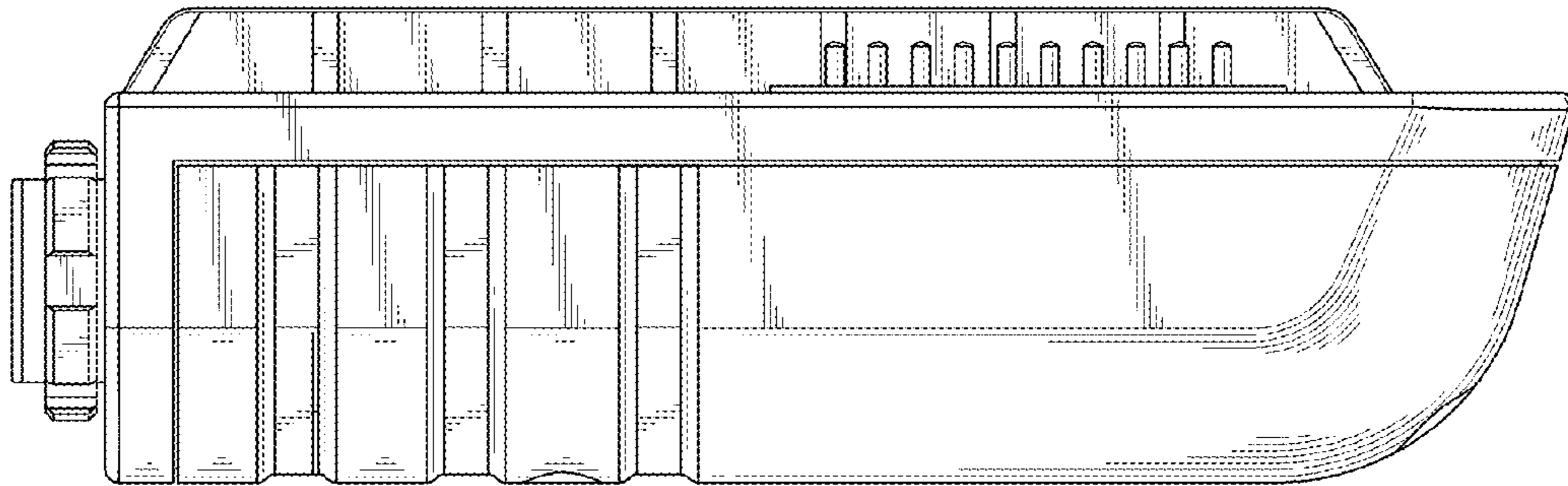


FIG. 26

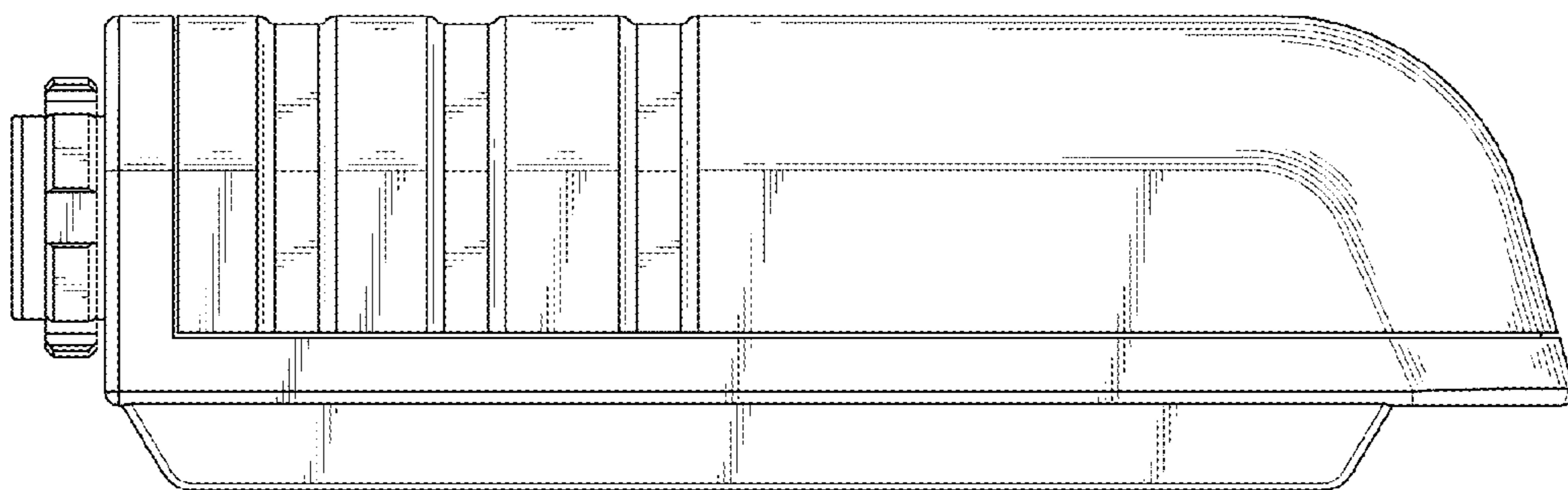


FIG. 27



UNITED STATES PATENT AND TRADEMARK OFFICE  
**CERTIFICATE OF CORRECTION**

PATENT NO. : D755,791 S  
APPLICATION NO. : 29/520915  
DATED : May 10, 2016  
INVENTOR(S) : Chun-Hsing Li

Page 1 of 2

It is certified that error appears in the above-identified patent and that said Letters Patent is hereby corrected as shown below:

On the Title Page

Please replace the Title Page with the new Title Page attached.

In the Description, Line 13, delete “;” and add --; and--.

In the Description, Line 15, delete “;” and add --.--.

In the Description, delete Lines 16-54.

In the Line after the Description, delete “1 Claim, 16 Drawing Sheets” and add --1 Claim, 5 Drawing Sheets--.

In the Drawings

In the header of Sheet 1, delete “Sheet 1 of 16” and add --Sheet 1 of 5--.

In the header of Sheet 2, delete “Sheet 2 of 16” and add --Sheet 2 of 5--.

In the header of Sheet 3, delete “Sheet 3 of 16” and add --Sheet 3 of 5--.

In the header of Sheet 4, delete “Sheet 4 of 16” and add --Sheet 4 of 5--.

In the header of Sheet 5, delete “Sheet 5 of 16” and add --Sheet 5 of 5--.

Delete Sheets 6-16 (Figs. 9-27).

Signed and Sealed this  
Fourth Day of April, 2017



Michelle K. Lee  
Director of the United States Patent and Trademark Office

(12) **United States Design Patent**  
**Li**

(10) **Patent No.:** **US D755,791 S**  
 (45) **Date of Patent:** **\*\* May 10, 2016**

(54) **ADAPTER FOR PORTABLE DEVICE**  
 (71) Applicant: **GETAC TECHNOLOGY CORPORATION**, Hsinchu County (TW)  
 (72) Inventor: **Chun-Hsiung LI**, New Taipei (TW)  
 (73) Assignee: **Getac Technology Corporation**, Hsinchu County (TW)  
 (\*\*) Term: **14 Years**  
 (21) Appl. No.: **29/520,915**  
 (22) Filed: **Mar. 18, 2015**  
 (51) **LOC (10) CL** ..... **14-02**  
 (52) **U.S. CL**  
 USPC ..... **D14/433**  
 (58) **Field of Classification Search**  
 USPC ..... D14/341-347, 424, 425, 432-453, 464, D14/468, 469, 471, 496, 511, 138 AA, D14/138 AD, 138 C, 138 G, 203.1-203.8, D14/217, 238.1, 248, 250, 257, 299: 361/679.01, 679.02, 679.03, 679.3, 361/679.55, 679.56; 455/550.1, 556.1, 455/556.2, 575.1, 575.3-575.5, 575.8, 90.3  
 CPC ..... A45C 11/00; A45C 2011/003; B60R 11/0241; B60R 11/0252; F16M 13/00; F16M 11/00

See application file for complete search history.

(56) **References Cited**  
 U.S. PATENT DOCUMENTS  
 D337,305 S \* 7/1993 Ross ..... D13/133  
 D415,111 S \* 10/1999 Lee ..... D13/147

(Continued)

*Primary Examiner* — Austin Murphy  
 (57) **CLAIM**

The ornamental design for an adapter for portable device, as shown and described.

**DESCRIPTION**

FIG. 1 is a top front left perspective view showing a first embodiment of my new design;  
 FIG. 2 is a bottom rear right perspective view of the first embodiment of my new design;  
 FIG. 3 is a front view of the first embodiment of my new design;  
 FIG. 4 is a rear view of the first embodiment of my new design;

FIG. 5 is a left side view of the first embodiment of my new design;  
 FIG. 6 is a right side view of the first embodiment of my new design;  
 FIG. 7 is a top view of the first embodiment of my new design;  
 FIG. 8 is a bottom view of the first embodiment of my new design;  
 FIG. 9 is a top front left perspective view showing a second embodiment of my new design;  
 FIG. 10 is a bottom front right perspective view of the second embodiment of my new design;  
 FIG. 11 is a bottom rear right perspective view of the second embodiment of my new design;  
 FIG. 12 is a front view of the second embodiment of my new design;  
 FIG. 13 is a rear view of the second embodiment of my new design;  
 FIG. 14 is a left side view of the second embodiment of my new design;  
 FIG. 15 is a right side view of the second embodiment of my new design;  
 FIG. 16 is a top view of the second embodiment of my new design;  
 FIG. 17 is a bottom view of the second embodiment of my new design;  
 FIG. 18 is a reference perspective view of the second embodiment of my new design installed on a portable electronic device;  
 FIG. 19 is a top front left perspective view showing a third embodiment of my new design;  
 FIG. 20 is a bottom front right perspective view of the third embodiment of my new design;  
 FIG. 21 is a bottom rear right perspective view of the third embodiment of my new design;  
 FIG. 22 is a front view of the third embodiment of my new design;  
 FIG. 23 is a rear view of the third embodiment of my new design;  
 FIG. 24 is a left side view of the third embodiment of my new design;  
 FIG. 25 is a right side view of the third embodiment of my new design;  
 FIG. 26 is a top view of the third embodiment of my new design; and,  
 FIG. 27 is a bottom view of the third embodiment of my new design.

1 Claim, **5** Drawing Sheets

