



US00D755789S

(12) **United States Design Patent**
Lyons

(10) **Patent No.:** **US D755,789 S**
(45) **Date of Patent:** **** May 10, 2016**

(54) **MOBILE HEAD MOUNTED DISPLAY**

(71) Applicant: **Merge Labs, Inc.**, San Antonio, TX
(US)

(72) Inventor: **Franklin A. Lyons**, San Antonio, TX
(US)

(73) Assignee: **Merge Labs, Inc.**, San Antonio, TX
(US)

(**) Term: **14 Years**

(21) Appl. No.: **29/518,235**

(22) Filed: **Feb. 20, 2015**

(51) **LOC (10) Cl.** **14-02**

(52) **U.S. Cl.**
USPC **D14/372**

(58) **Field of Classification Search**

USPC D14/372, 496, 432, 371, 125, 126, 129,
D14/299; D16/300-342; 351/158, 153, 144;
345/7-9, 905; 455/344; 348/115, 53,
348/121, 739

CPC G02B 27/017; G02B 27/0158; G02B
27/0161; G02B 27/0181; G02B 27/0185;
G02B 27/0189

See application file for complete search history.

(56) **References Cited**

U.S. PATENT DOCUMENTS

4,707,863	A	11/1987	McNeal	
5,128,671	A	7/1992	Thomas, Jr.	
D338,514	S *	8/1993	Holmes	D14/372
5,422,684	A	6/1995	Keller	
5,440,326	A	8/1995	Quinn	
D363,482	S *	10/1995	Robinson	D14/372
5,495,576	A	2/1996	Ritchey	
D369,595	S *	5/1996	Kober	D14/372
D375,495	S *	11/1996	MacIness	D14/372
5,696,521	A	12/1997	Robinson et al.	
D415,146	S *	10/1999	Hori	D14/372

(Continued)

OTHER PUBLICATIONS

Ridden, Paul, "Accidentally Extraordinary Headphones Feature Capacitive Touch Controls in the Cable," gizmag.com, Feb. 25, 2013, 9 pages, <http://www.gizmag.com/accidentally-extraordinary-headphones-touch-control/26394/>.

(Continued)

Primary Examiner — Austin Murphy

(74) *Attorney, Agent, or Firm* — M. Kala Sarvaiya; Steven C. Sereboff; SoCal IP Law Group LLP

(57) **CLAIM**

The ornamental design for a mobile head mounted display, as shown and described.

DESCRIPTION

A portion of the disclosure of this patent document contains material which is subject to copyright protection. This patent document may show and/or describe matter which is or may become trade dress of the owner. The copyright and trade dress owner has no objection to the facsimile reproduction by anyone of the patent disclosure as it appears in the Patent and Trademark Office patent files or records, but otherwise reserves all copyright and trade dress rights whatsoever.

FIG. 1 is a front, top and left side perspective view of a first embodiment of a mobile head mounted display.

FIG. 2 is a rear, top and right side perspective view thereof.

FIG. 3 is a front elevation view thereof.

FIG. 4 is a rear side elevation view thereof.

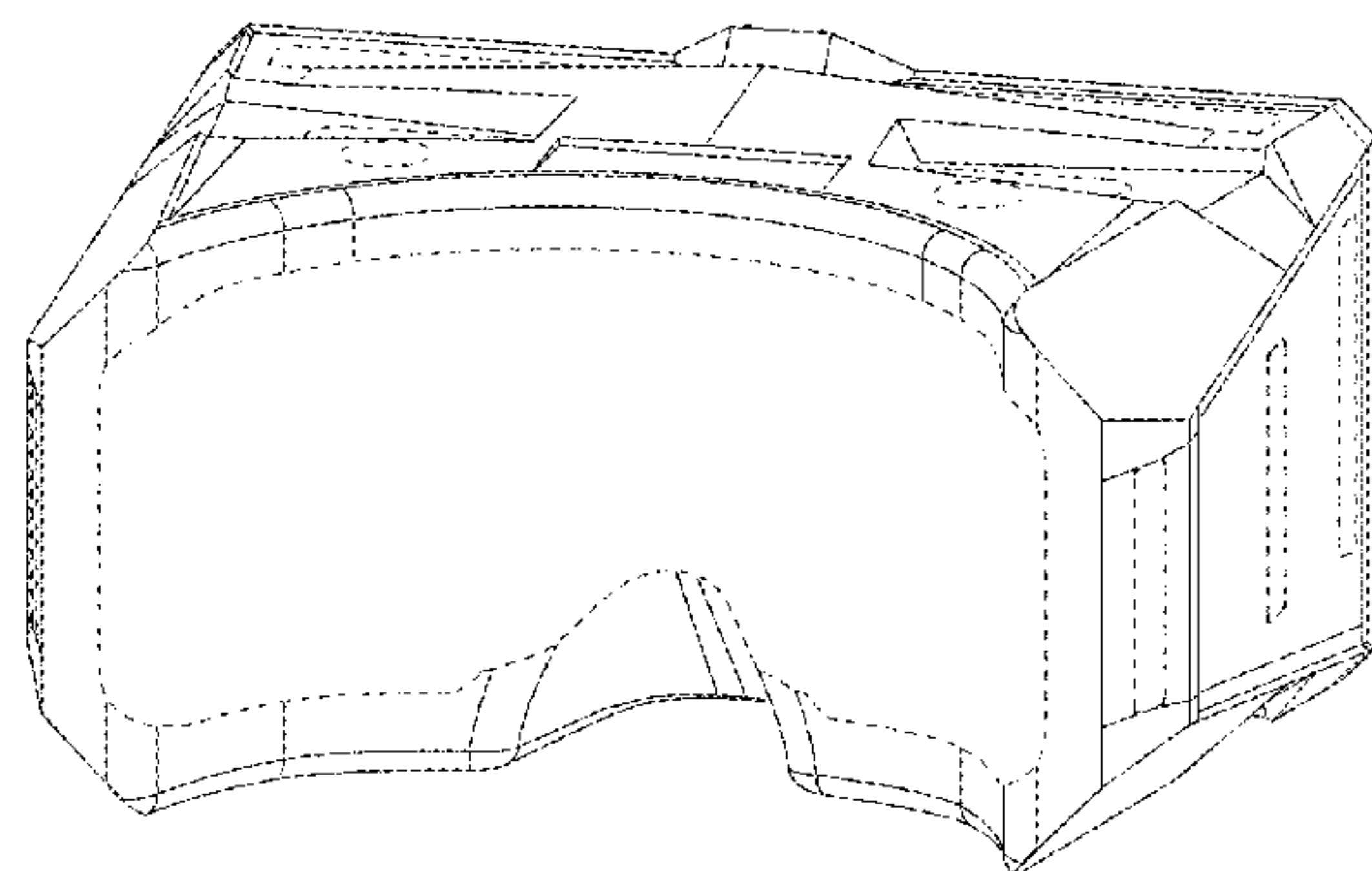
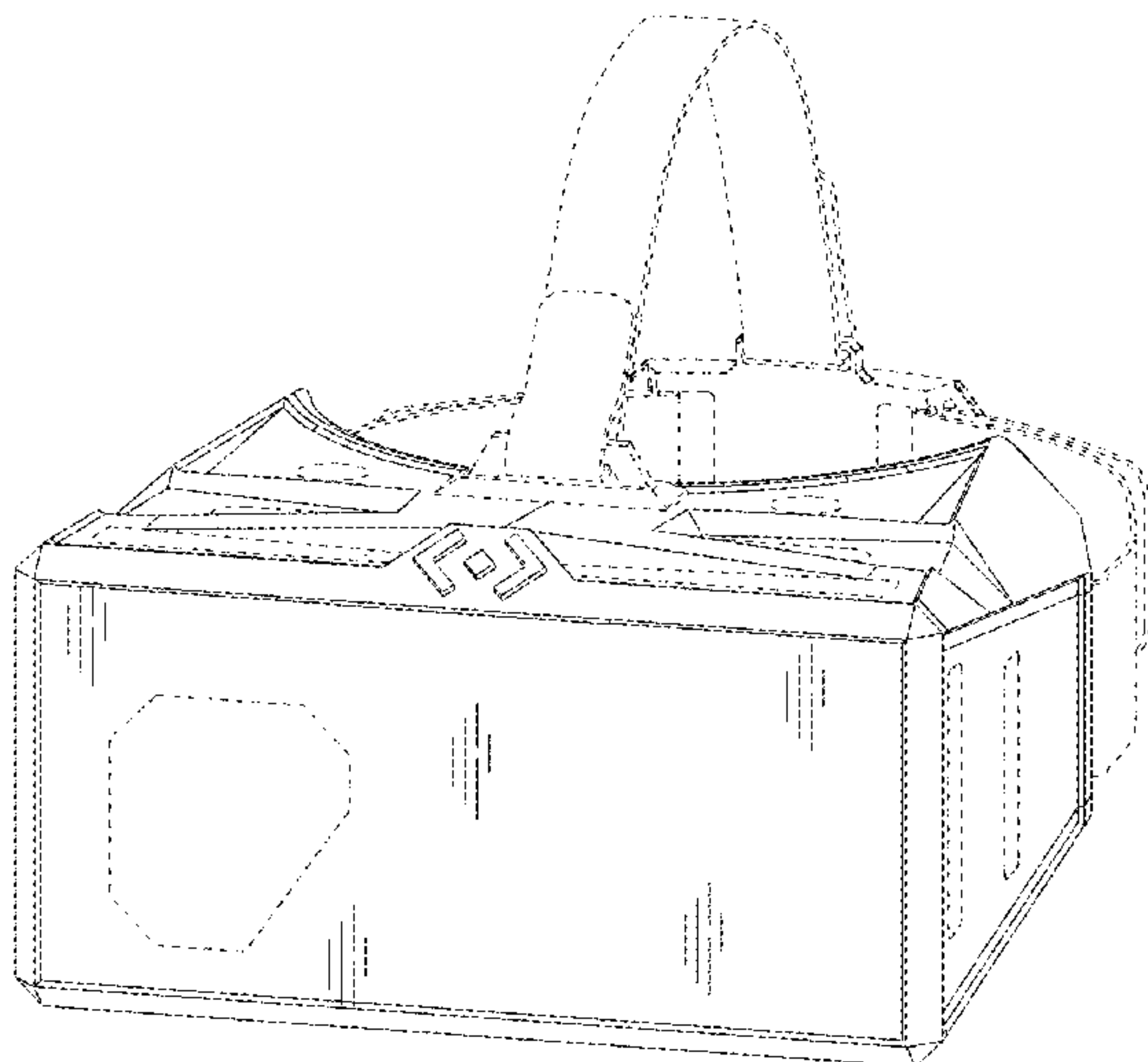
FIG. 5 is a right side elevation view thereof, with the left side elevation view being identical to the right side elevation view.

FIG. 6 is a top plan view thereof; and,

FIG. 7 is a bottom plan view thereof.

The broken lines shown in the drawings are for illustrative purposes only and form no part of the claimed design.

1 Claim, 4 Drawing Sheets



(56)

References Cited

U.S. PATENT DOCUMENTS

6,038,707 A 3/2000 Ryden et al.
 6,067,192 A 5/2000 Lichtenfield et al.
 6,150,998 A 11/2000 Travers et al.
 D440,967 S * 4/2001 Jung D14/372
 6,234,446 B1 5/2001 Patterson
 6,665,885 B2 12/2003 Masumoto
 7,002,551 B2 2/2006 Azuma et al.
 7,158,118 B2 1/2007 Liberty
 7,173,604 B2 2/2007 Marvit et al.
 7,239,301 B2 7/2007 Liberty et al.
 7,414,611 B2 8/2008 Liberty
 7,489,298 B2 2/2009 Liberty et al.
 7,542,210 B2 6/2009 Chirieleison, Sr.
 7,667,962 B2 2/2010 Mullen
 D645,862 S * 9/2011 Paul D14/372
 8,072,424 B2 12/2011 Liberty
 8,137,195 B2 3/2012 Penzias
 8,180,411 B2 5/2012 Skagmo et al.
 8,212,859 B2 7/2012 Tang et al.
 8,237,657 B2 8/2012 Liberty et al.
 D669,471 S * 10/2012 Hwang D14/372
 D687,434 S * 8/2013 Serota D14/372
 8,549,415 B2 10/2013 Tang
 8,581,841 B2 11/2013 Simpkins et al.
 8,605,008 B1 12/2013 Prest et al.
 D701,206 S * 3/2014 Luckey D14/372
 D704,706 S * 5/2014 Serota D14/372
 8,723,699 B2 5/2014 Ivanov et al.
 8,766,917 B2 7/2014 Liberty et al.
 8,795,079 B2 8/2014 Penzias, III
 8,831,255 B2 9/2014 Crawford et al.
 8,881,316 B2 11/2014 Reyes et al.
 D719,953 S * 12/2014 Nokuo D14/372
 8,928,635 B2 1/2015 Harley et al.
 8,957,835 B2 2/2015 Hoellwarth
 D727,318 S * 4/2015 Garcia Marin D14/372
 D732,028 S * 6/2015 Kim D14/372
 D738,374 S * 9/2015 Luckey D14/372
 D739,855 S * 9/2015 Bosveld D14/372
 D740,810 S * 10/2015 Bosveld D14/372

D740,815 S * 10/2015 Bosveld D14/372
 D741,323 S * 10/2015 Bosveld D14/372
 D741,324 S * 10/2015 Bosveld D14/372
 D741,327 S * 10/2015 Reznik D14/372
 D741,858 S * 10/2015 Bosveld D14/372
 9,176,325 B2 * 11/2015 Lyons G02B 27/0172
 2008/0015017 A1 1/2008 Ashida et al.
 2011/0261452 A1 10/2011 Kory
 2011/0304577 A1 12/2011 Brown et al.
 2013/0335573 A1 12/2013 Forutanpour et al.
 2014/0098009 A1 4/2014 Prest et al.
 2014/0152531 A1 6/2014 Murray et al.

OTHER PUBLICATIONS

Timework Corporation, "The Google Cardboard Kit," Google Cardboard, Jan. 22, 2015, 2 pages, <http://google-cardboard.com/>.
 Seifert, et al., "Hands-on with Google and Mattel's View-Master of the Future," The Verge, Feb. 13, 2015, 7 pages, <http://www.theverge.com/2015/2/13/8033189/mattel-google-cardboard-view-master-hands-on>.
 Jabra, "Jabra Intelligent Headset—for Developers," Jabra, Jan. 22, 2015, 9 pages, http://www.jabra.com/products/bluetooth/jabra_intelligent_headset/jabra_intelligent.
 Russell, Kyle, "Leap Motion Launches VR Headset Mount for its Hand-Tracking Controller," TechCrunch, Aug. 28, 2014, 6 pages, <http://techcrunch.com/2014/08/28/leap-motion-launches-vr-headset-mount-for-its-motion-controller/>.
 Steed, Anthony and Julier, Simon "Design and Implementation of an Immersive Virtual Reality System Based on a Smartphone Platform" IEEE 2013 Symposium on 3D User Interfaces (3DUI); Mar. 16-17, 2013; pp.43-46 (4 pages).
 Starr, Michelle "VrAse Turns Your Smartphone Into VR Goggles" CNET Website; Sep. 2, 2013 (6 pages).
 McMILL, Ian; "DIY 3D Head-Mounted-Display Using Your Smartphone" Website: instructables; 2013 (7 pages).
 Hutter, M., "DIY 3D Virtual Reality Goggles," <http://www.hutter1.net/puzzles/3dvrglass.htm>, Jan. 21, 2014, pp. 1-7.
 World Intellectual Property Organization, International Search Report and Written Opinion for International Application No. PCT/US2015/16445, mail date Jul. 14, 2015, pp. 1-25.

* cited by examiner

Fig. 1

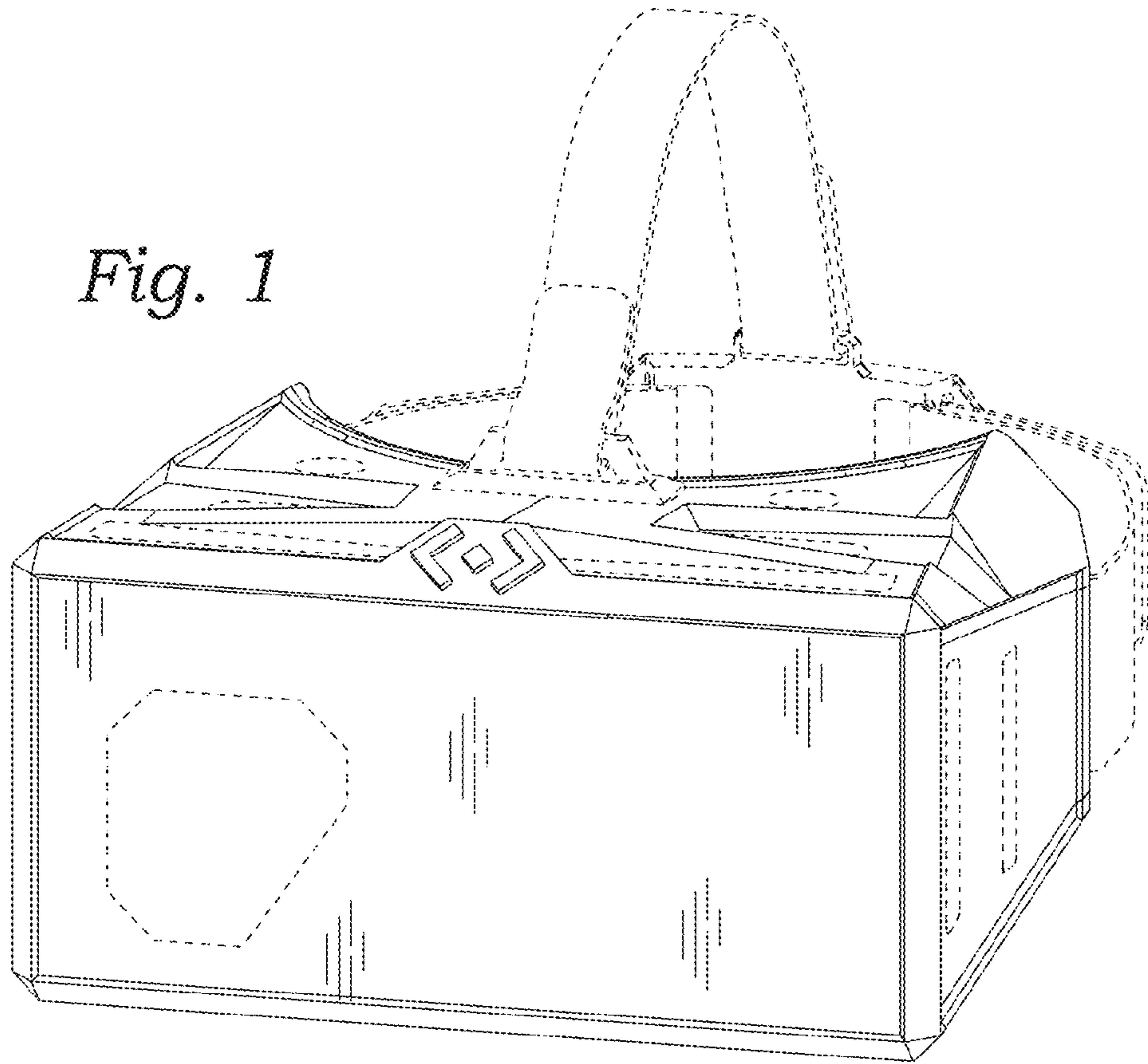


Fig. 2

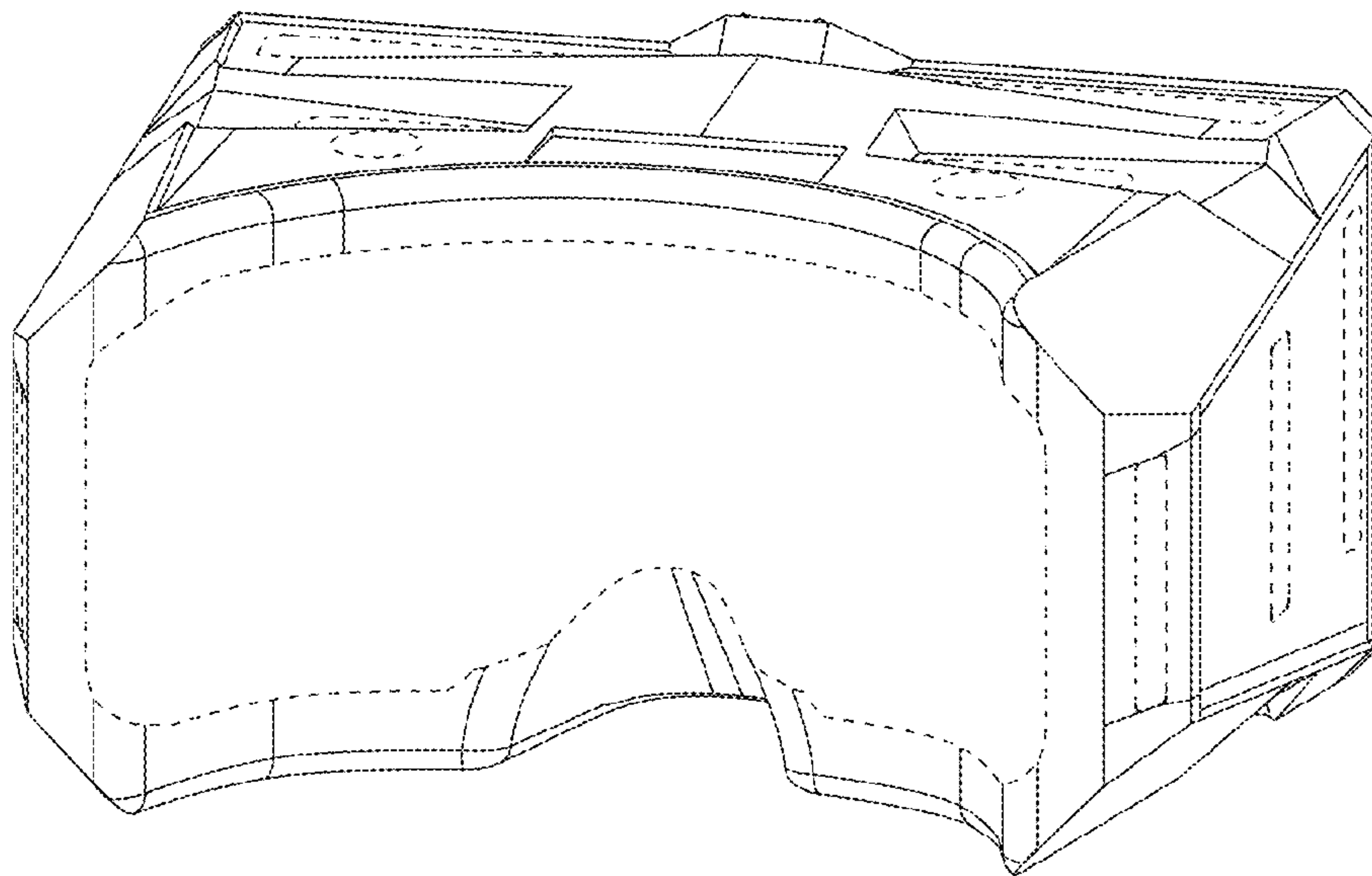


Fig. 3

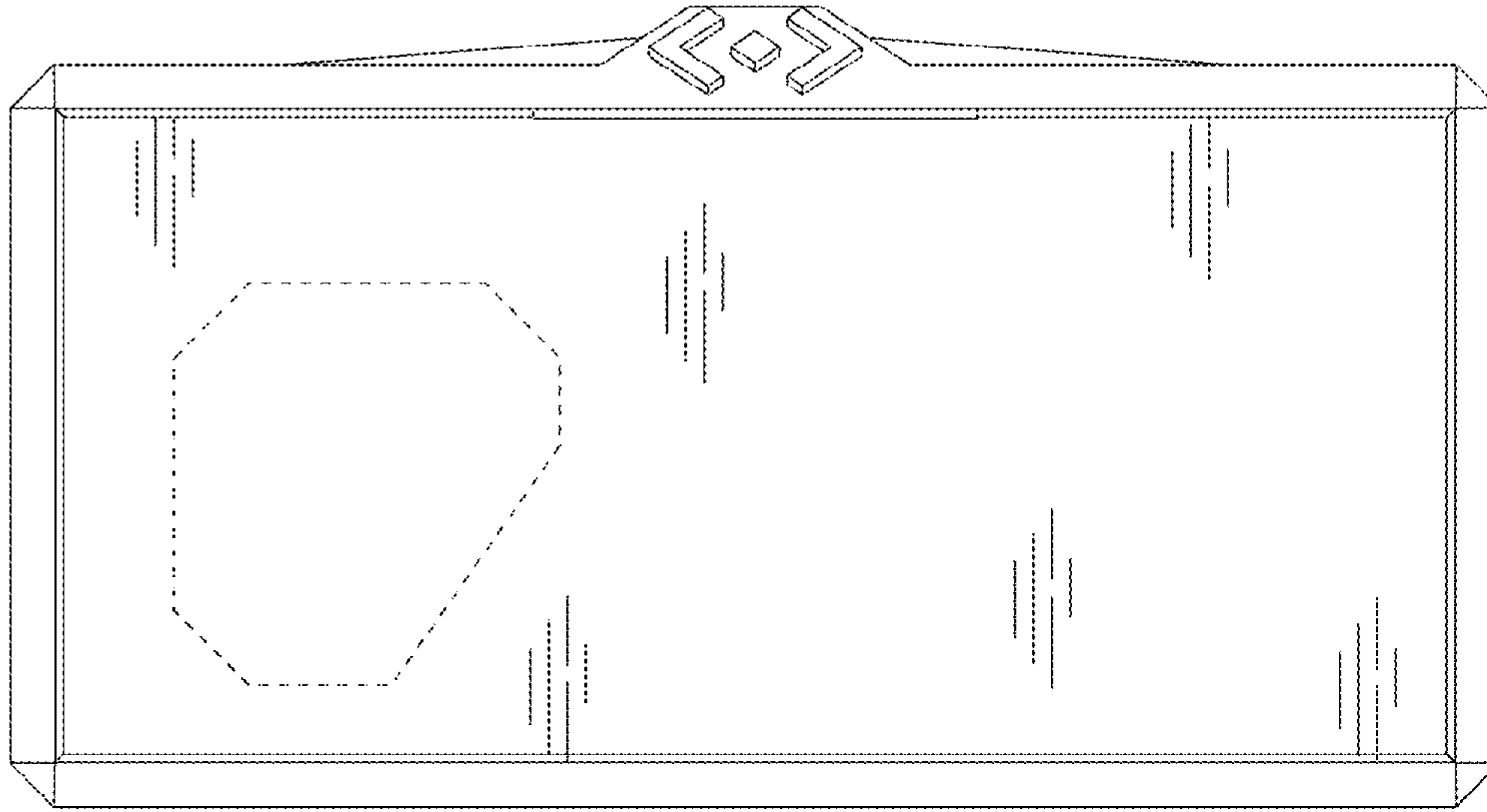


Fig. 4

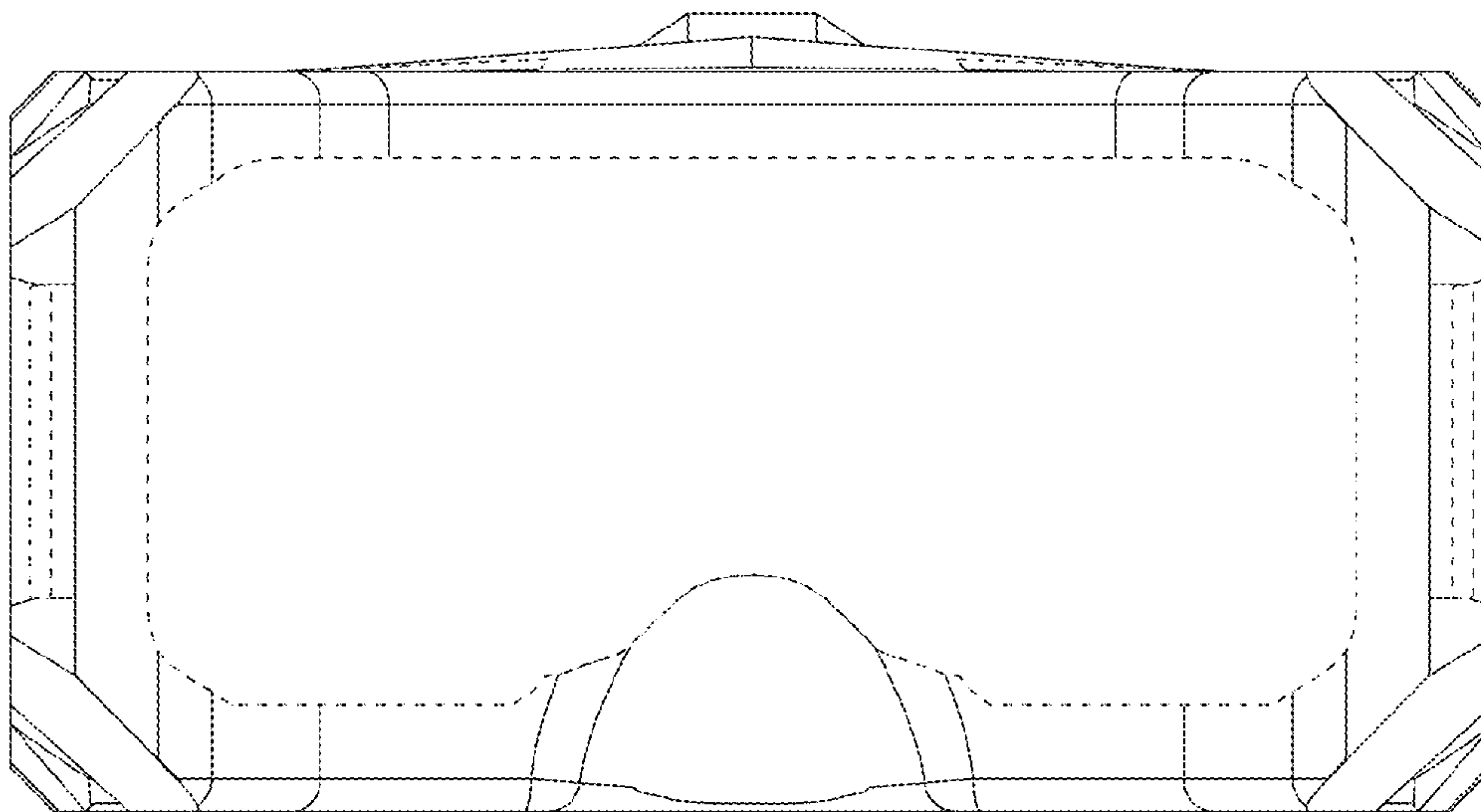


Fig. 5

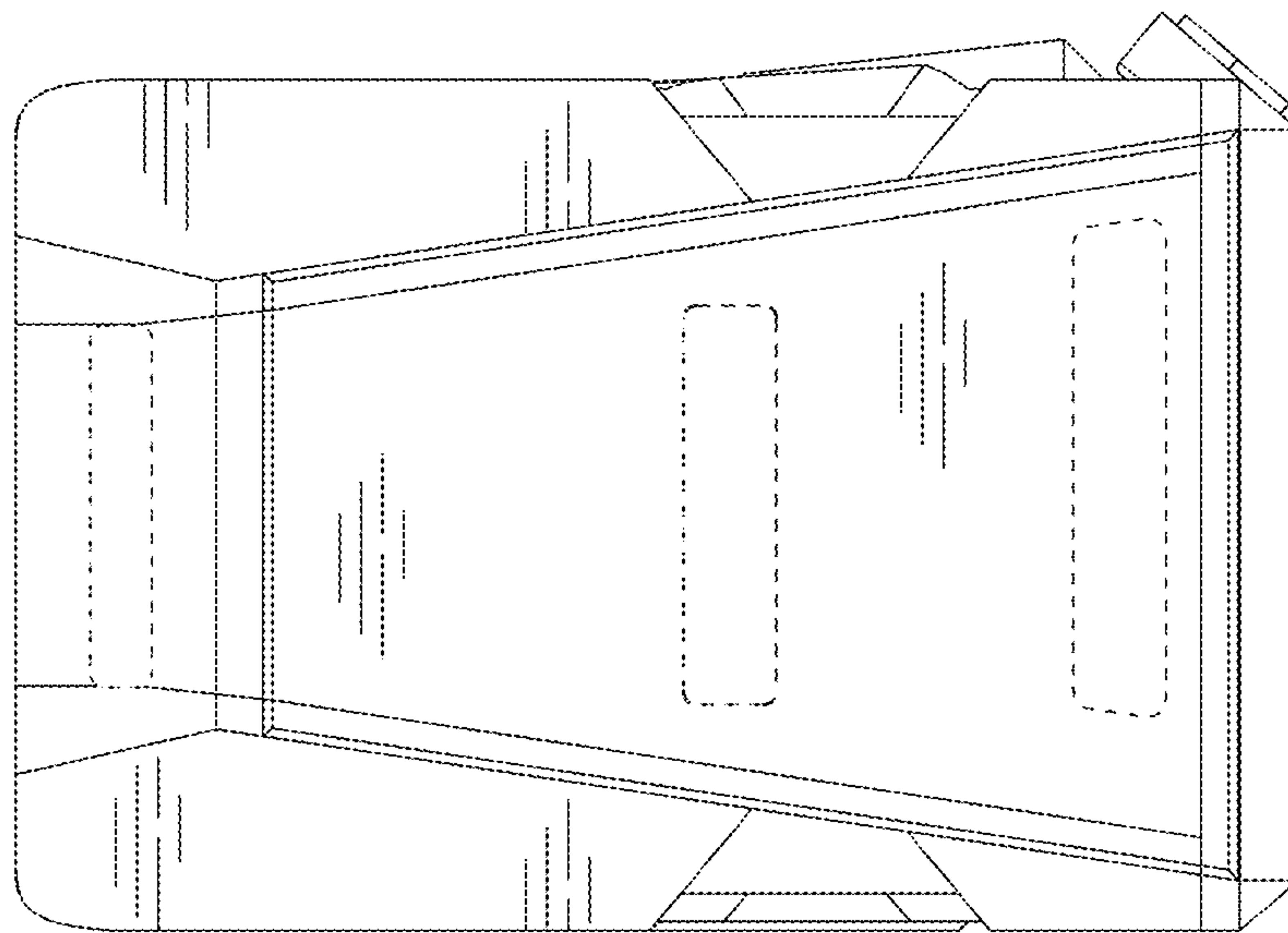


Fig. 6

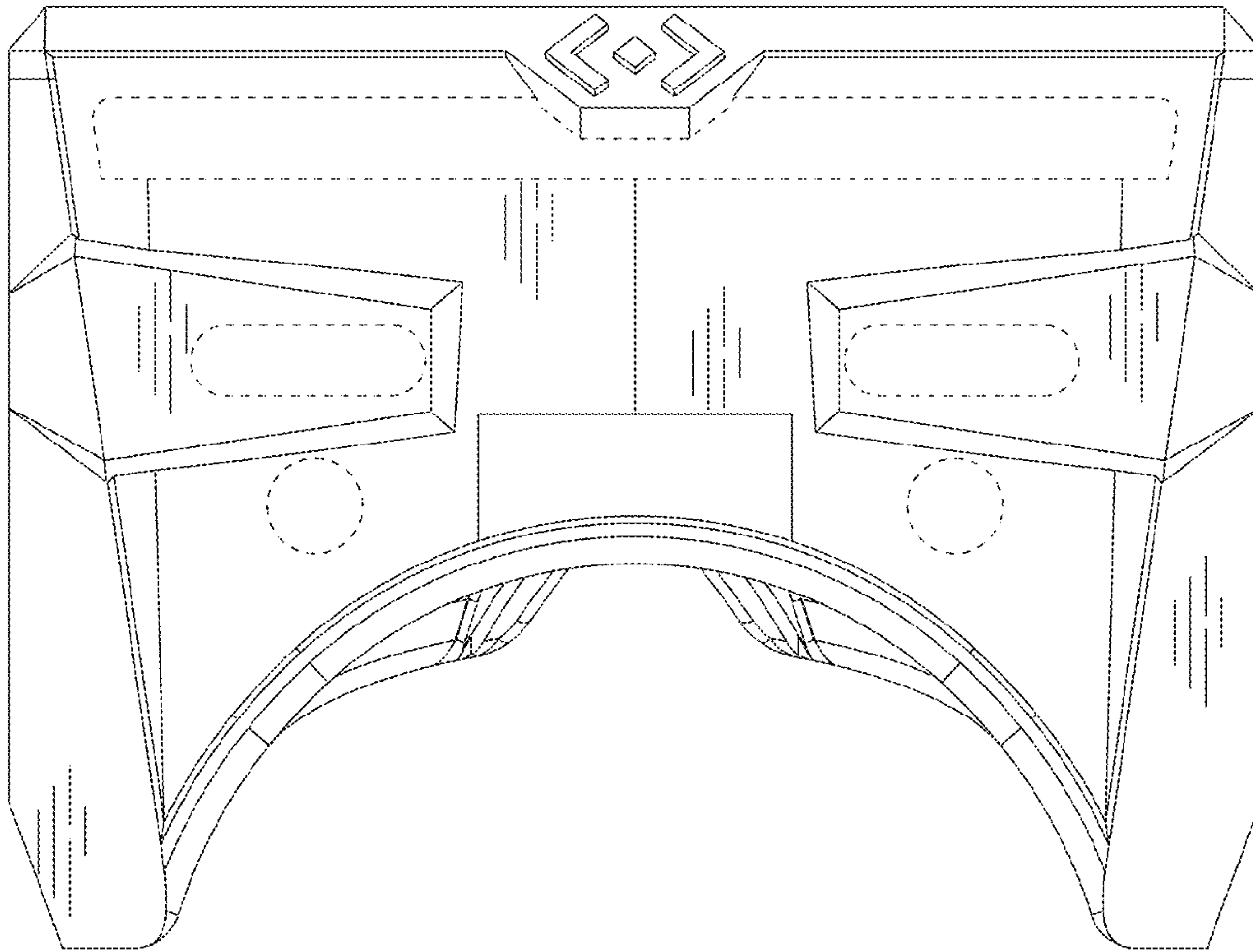


Fig. 7

