



US00D755788S

(12) **United States Design Patent**
Mitchell et al.

(10) **Patent No.:** **US D755,788 S**
(45) **Date of Patent:** **** May 10, 2016**

(54) **VIEWER**

(71) Applicant: **GB Electronics (UK) Limited**, West Sussex (GB)
(72) Inventors: **Gary Daniel Mitchell**, Hove (GB);
Mark Stephen Bullen, Arundel (GB);
Matthew David Wilson, Worthing (GB)
(73) Assignee: **GB Electronics (UK) Limited**, West Sussex (GB)
(**) Term: **14 Years**

(21) Appl. No.: **29/515,069**
(22) Filed: **Jan. 20, 2015**

(30) **Foreign Application Priority Data**

Aug. 19, 2014 (EM) 002521963-0001
(51) **LOC (10) Cl.** **14-02**
(52) **U.S. Cl.**
USPC **D14/371**
(58) **Field of Classification Search**
USPC D14/371-375, 125-129, 336, 337, 341;
341/12; 345/104, 156, 168, 173;
348/180, 184, 325, 739; 349/1, 2, 11,
349/62; 361/679.05-679.07, 679.21;
D6/300, 308
CPC G06F 1/16; G06F 1/1601; G06F 3/037;
G06F 1/162; F16M 11/02; F16M 11/10;
F16M 11/00

See application file for complete search history.

(56) **References Cited**

U.S. PATENT DOCUMENTS

D428,415 S * 7/2000 Shibata D14/126
7,143,478 B2 * 12/2006 Quijano F16M 11/00
16/409
D537,079 S * 2/2007 Park D14/375
D541,278 S * 4/2007 Hsu D14/336
D598,916 S * 8/2009 Lehtovaara D14/371
D655,286 S * 3/2012 Cherian D14/337
D716,297 S * 10/2014 ZhenHua D14/371
2007/0076358 A1 * 4/2007 Hsu F16M 11/00
361/679.22

* cited by examiner

Primary Examiner — Freda S Nunn

(74) *Attorney, Agent, or Firm* — Renner, Otto, Boisselle & Sklar, LLP

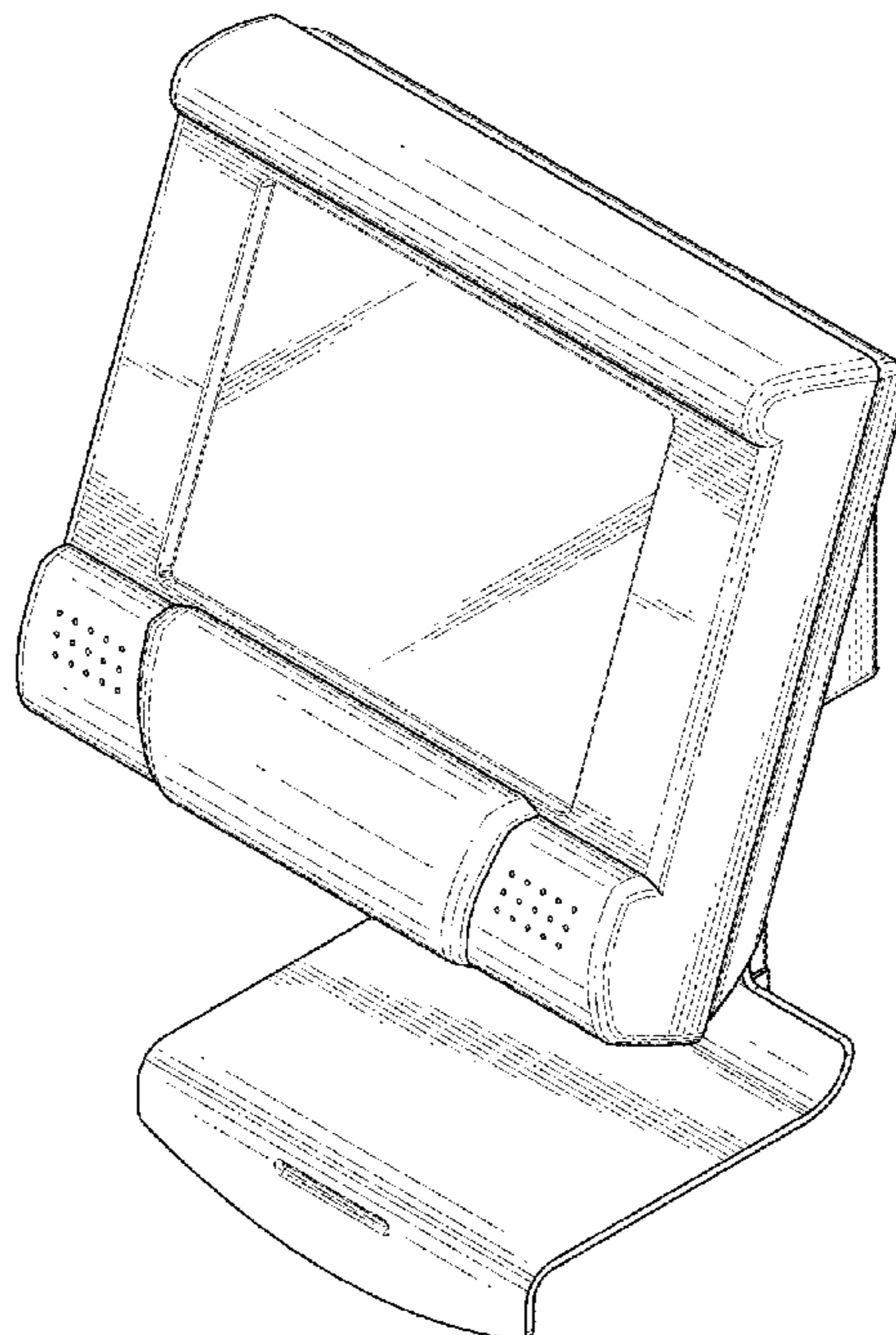
(57) **CLAIM**

The ornamental design for a viewer, as shown and described.

DESCRIPTION

FIG. 1 is a perspective view of a viewer showing my design.
FIG. 2 is a front view thereof.
FIG. 3 is a rear view thereof.
FIG. 4 is a right side view thereof.
FIG. 5 is a left side view thereof.
FIG. 6 is a top view thereof; and,
FIG. 7 is a bottom view thereof.

1 Claim, 7 Drawing Sheets



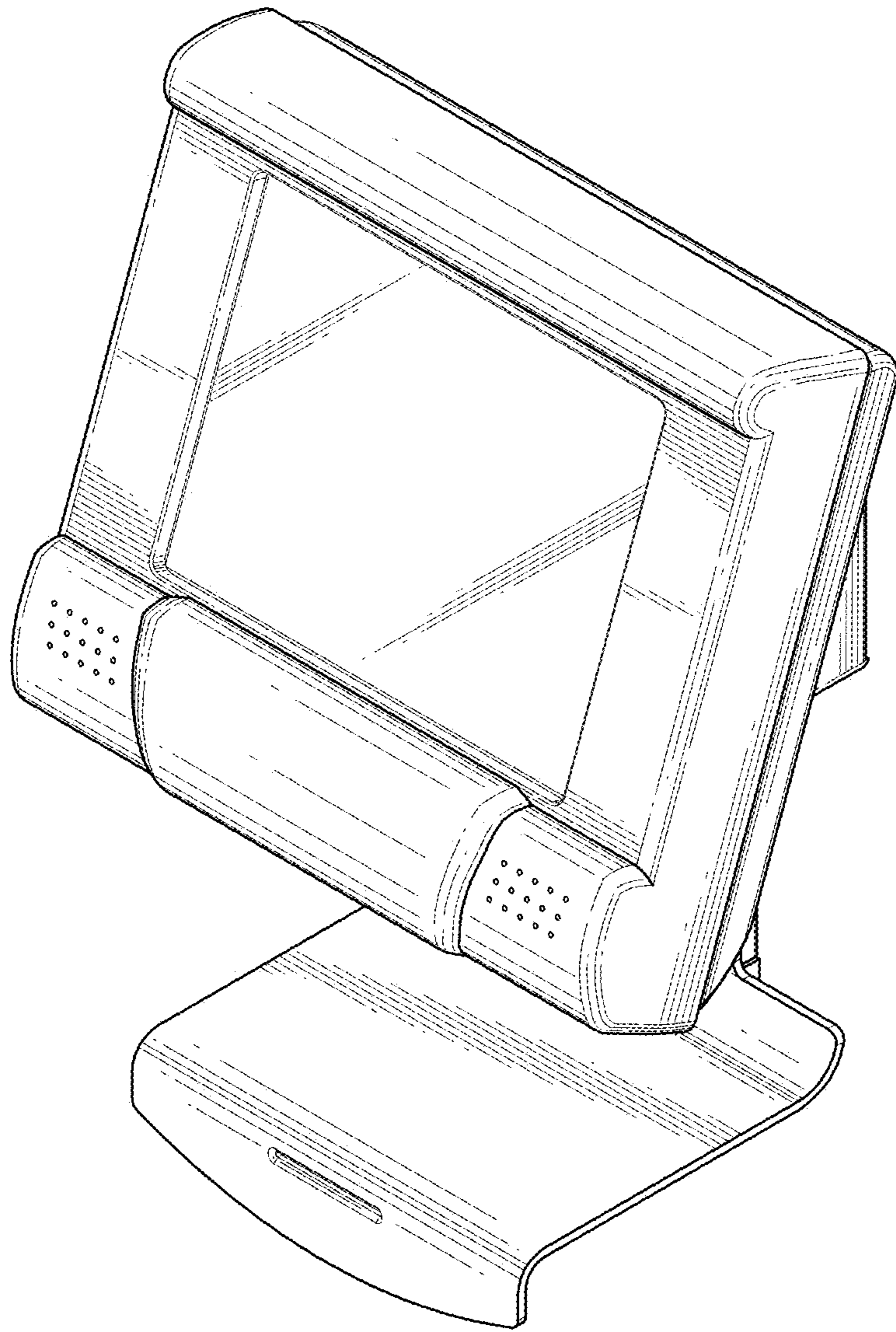


FIG. 1

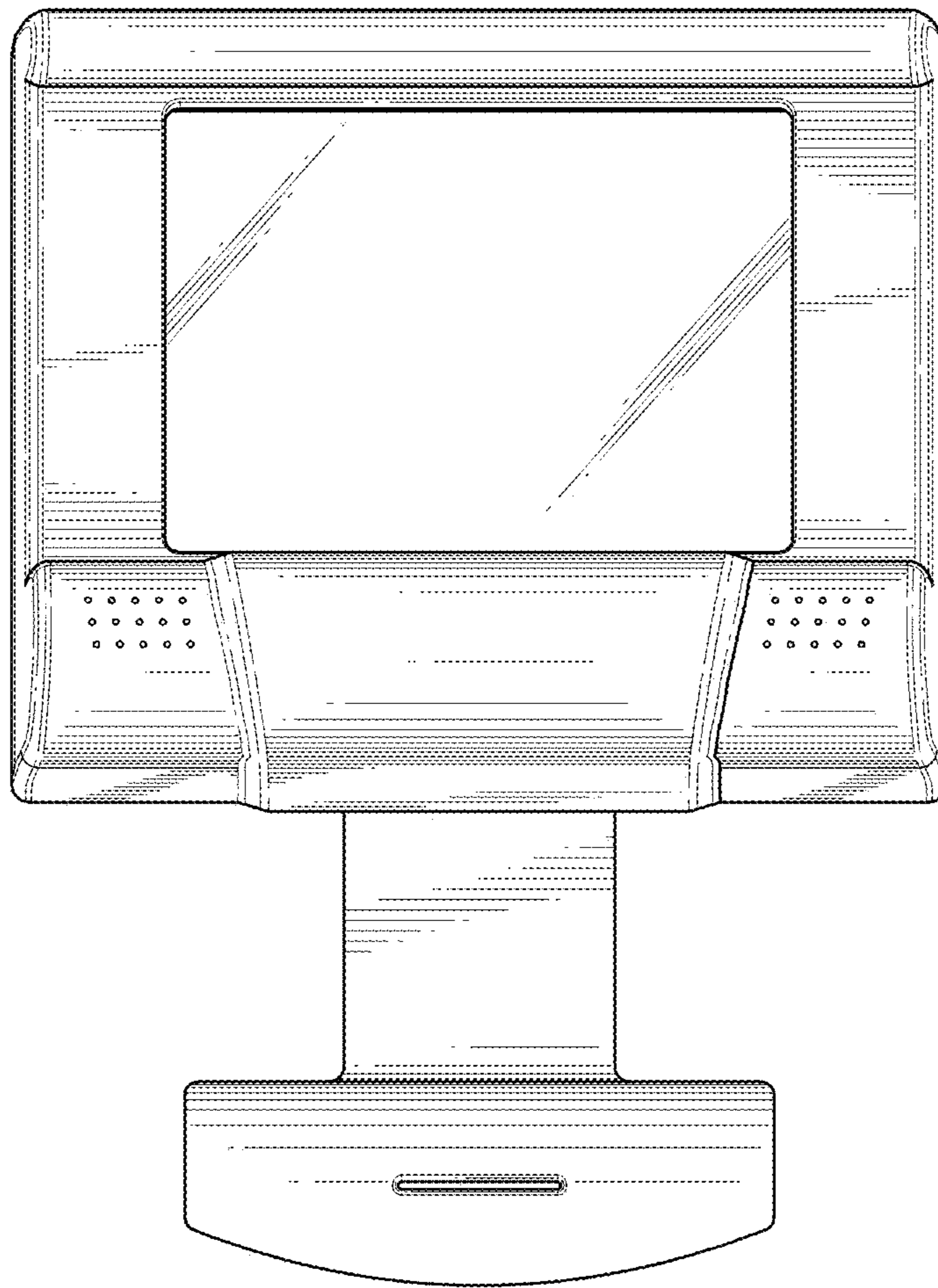


FIG. 2

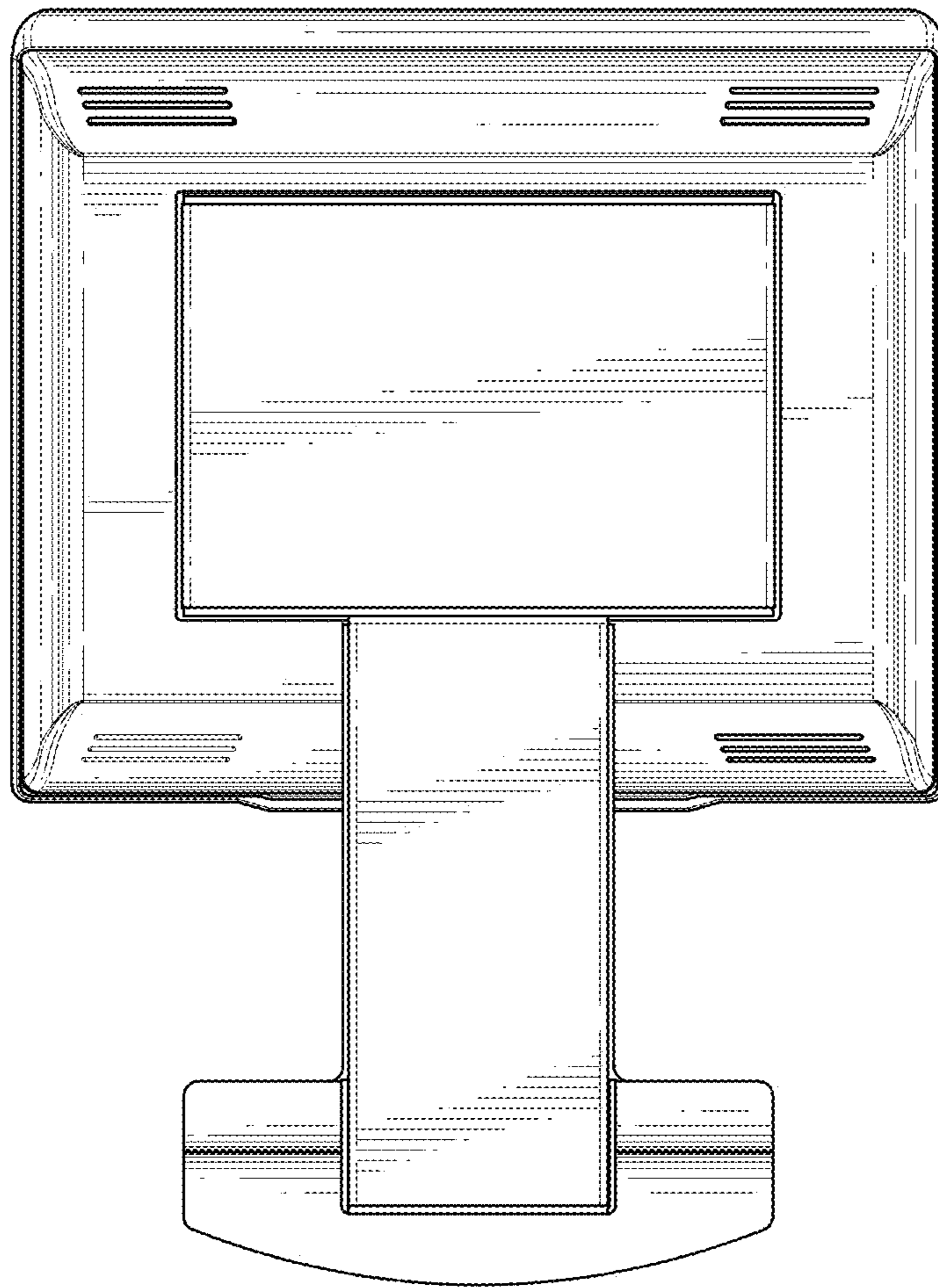


FIG. 3

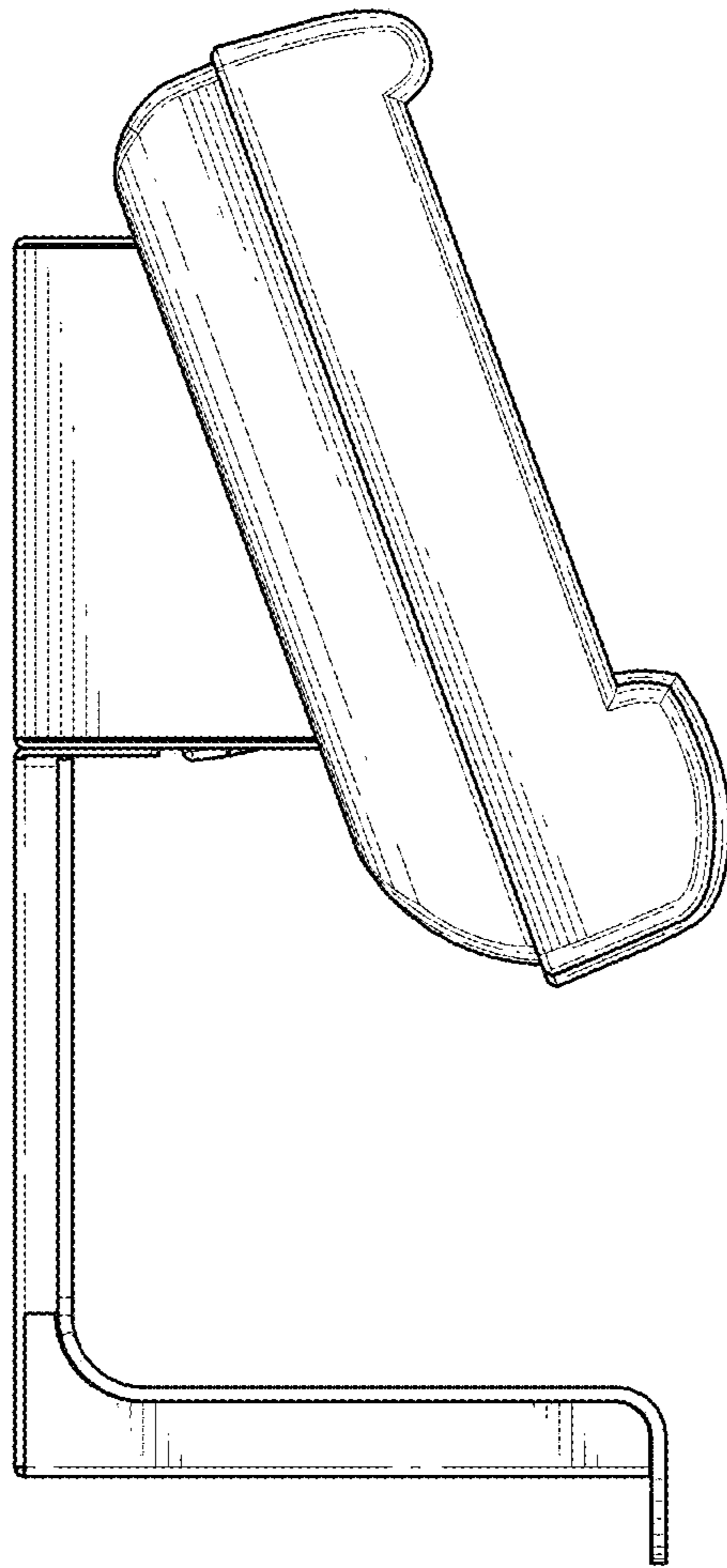


FIG. 4

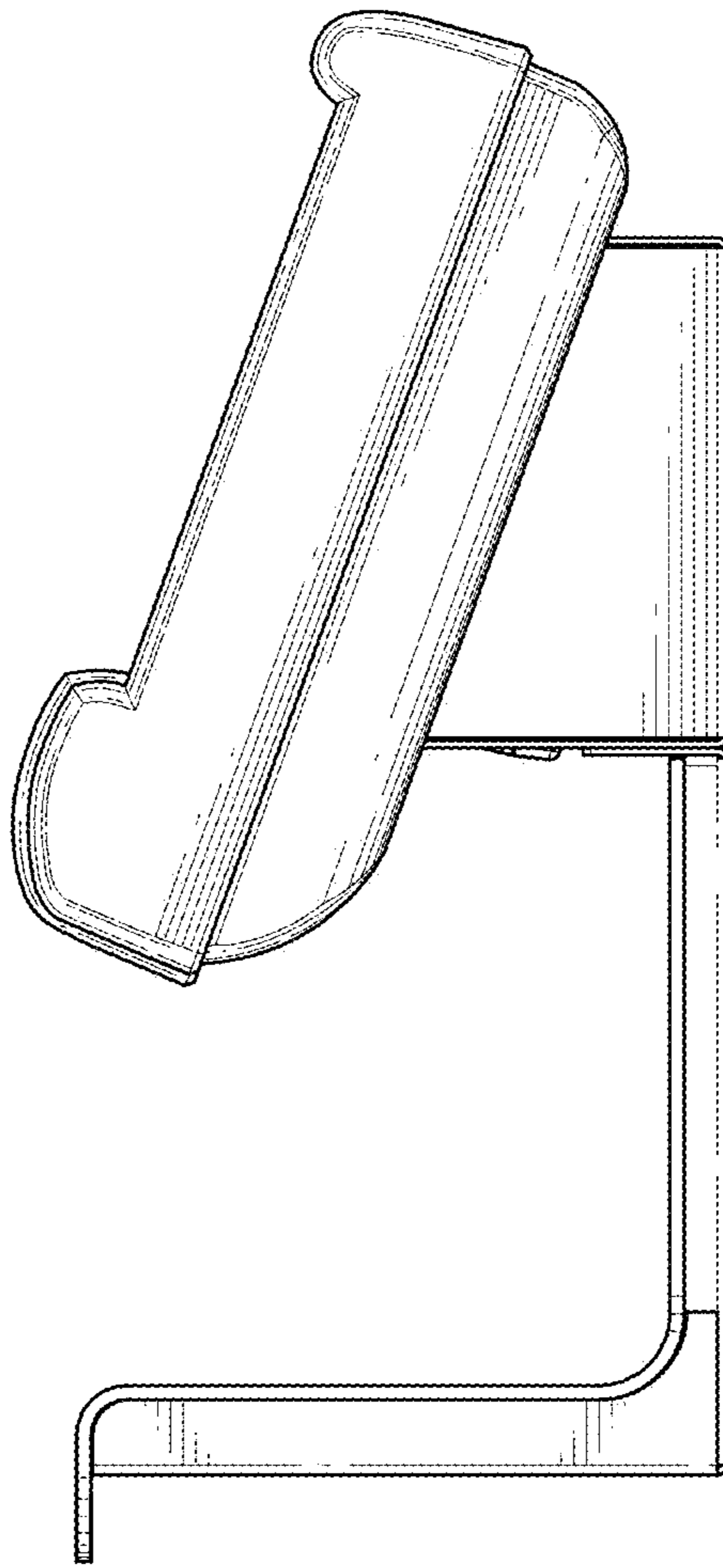


FIG. 5

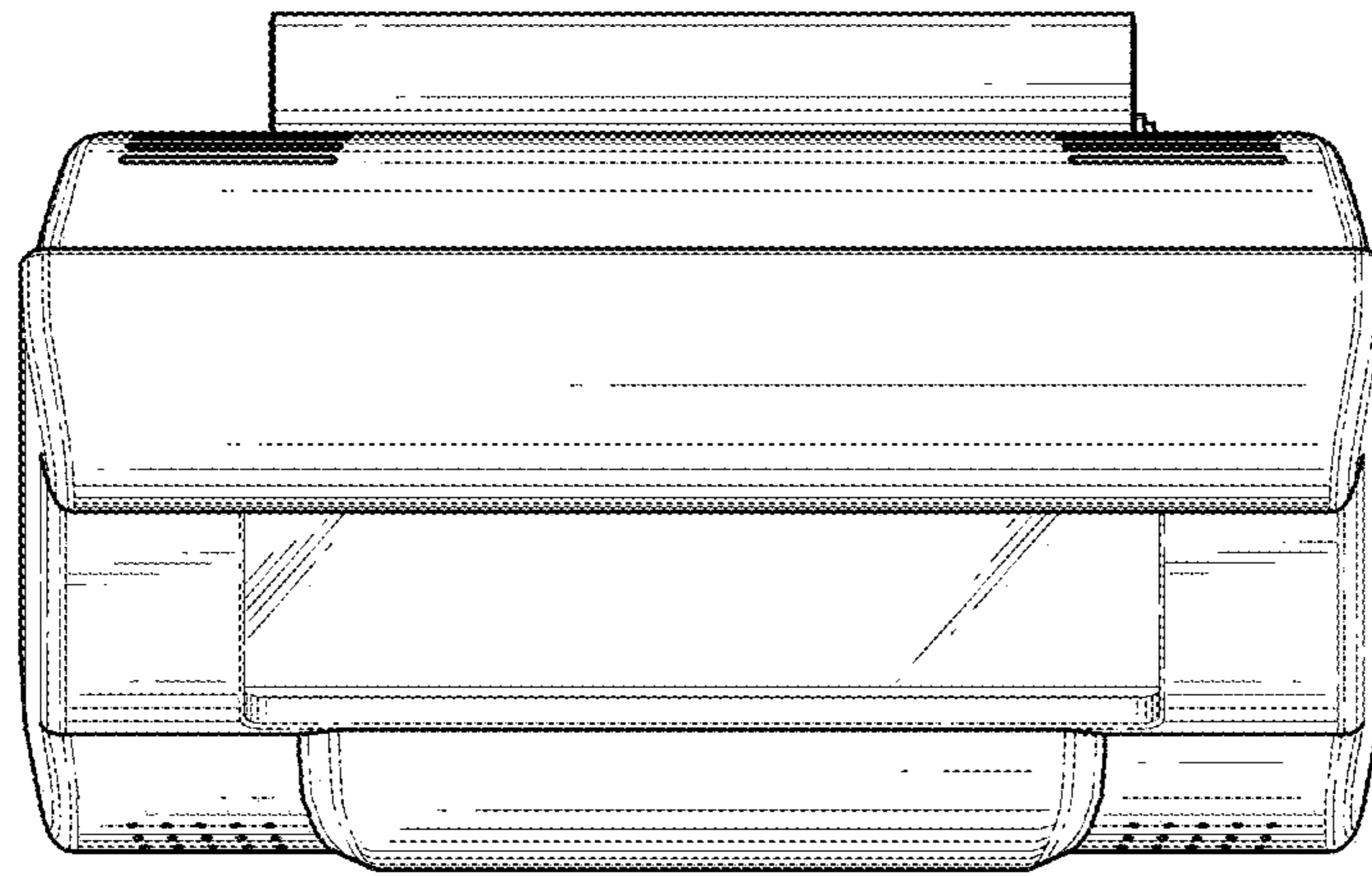


FIG. 6

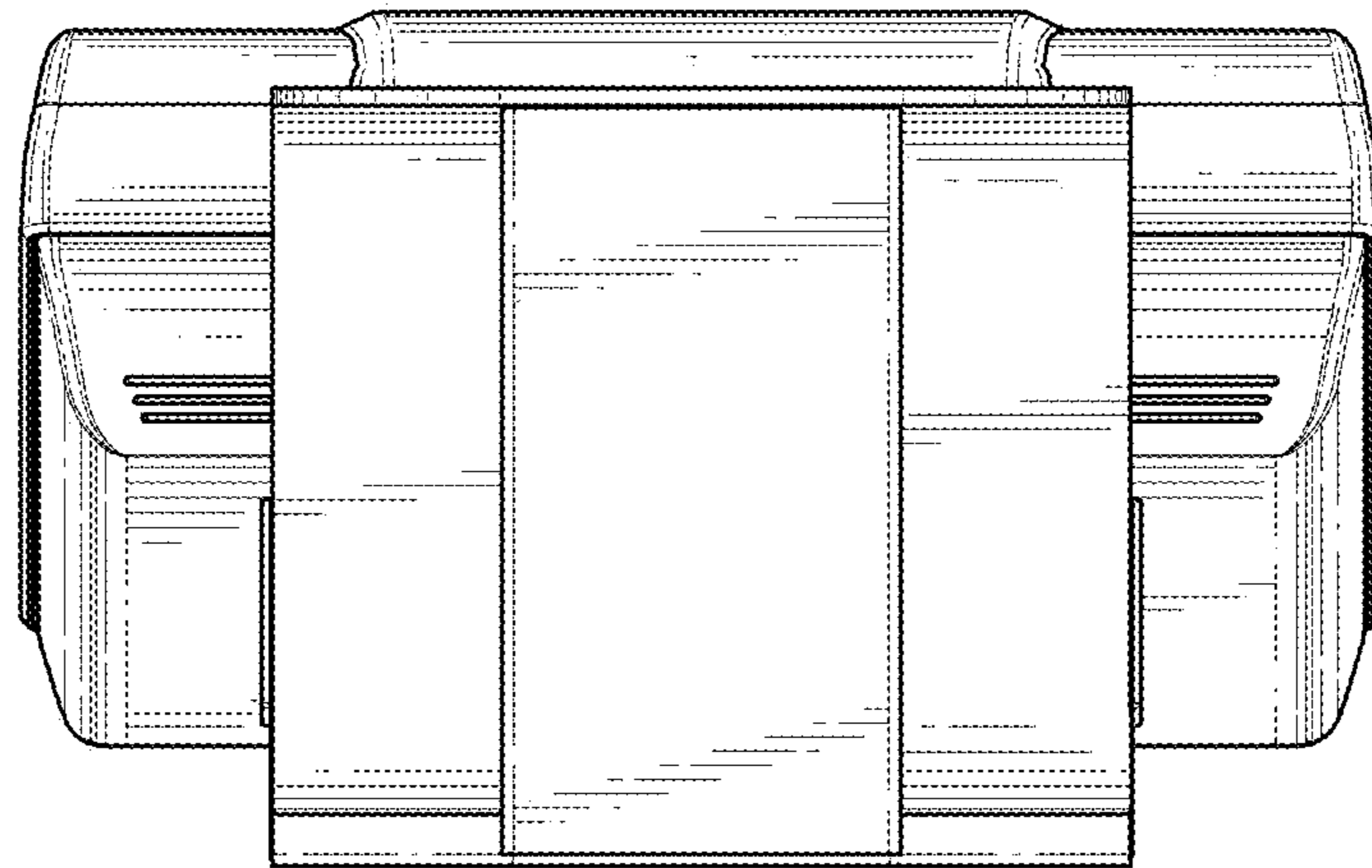


FIG. 7