



US00D755786S

(12) **United States Design Patent**
Lapetina et al.

(10) **Patent No.:** **US D755,786 S**

(45) **Date of Patent:** **** May 10, 2016**

(54) **WEARABLE DEVICE**

(71) Applicant: **VERILY LIFE SCIENCES LLC**,
Mountain View, CA (US)

(72) Inventors: **John Lapetina**, Los Altos Hills, CA
(US); **Christopher Jones**, San
Francisco, CA (US); **Sarel Kobus**
Jooste, Novato, CA (US)

(73) Assignee: **VERILY LIFE SCIENCES LLC**,
Mountain View, CA (US)

(**) Term: **14 Years**

(21) Appl. No.: **29/499,247**

(22) Filed: **Aug. 13, 2014**

(51) **LOC (10) Cl.** **14-02**

(52) **U.S. Cl.**
USPC **D14/344**

(58) **Field of Classification Search**
USPC D14/341-347, 371, 426, 427; D11/3;
D10/30-39, 70, 128
CPC A61B 2017/60442; A61B 2017/6824;
A61B 5/681; A61B 5/02438; A61B 5/1112;
A61B 5/0022; H04B 1/385; A44C 5/14;
A44C 5/12

See application file for complete search history.

(56) **References Cited**

U.S. PATENT DOCUMENTS

3,492,809 A * 2/1970 Gisiger-Lusa A44C 5/14
368/282
D561,340 S * 2/2008 Kitamura D24/165
D669,075 S * 10/2012 Seo D14/371

D674,488 S * 1/2013 McKay D24/167
D703,204 S * 4/2014 Riddiford D10/65
D709,879 S * 7/2014 Nakamura D14/371
D725,512 S * 3/2015 Read D10/70
D728,395 S * 5/2015 Roberts D10/104.1
D733,596 S * 7/2015 Goodner D10/70
2006/0117458 A1 * 6/2006 Ishihara A41D 1/002
2/170
2006/0281978 A1 * 12/2006 Crucilla A61B 5/103
600/300
2010/0315909 A1 * 12/2010 Altenhoven G04B 39/02
368/295
2013/0222139 A1 * 8/2013 Gouge A61B 5/01
340/573.1
2014/0121539 A1 * 5/2014 Chatterjee G06F 1/1626
600/479

* cited by examiner

Primary Examiner — Mary Ann Calabrese

Assistant Examiner — Jennifer L Rempfer

(74) *Attorney, Agent, or Firm* — McDonnell Boehnen
Hulbert & Berghoff LLP

(57) **CLAIM**

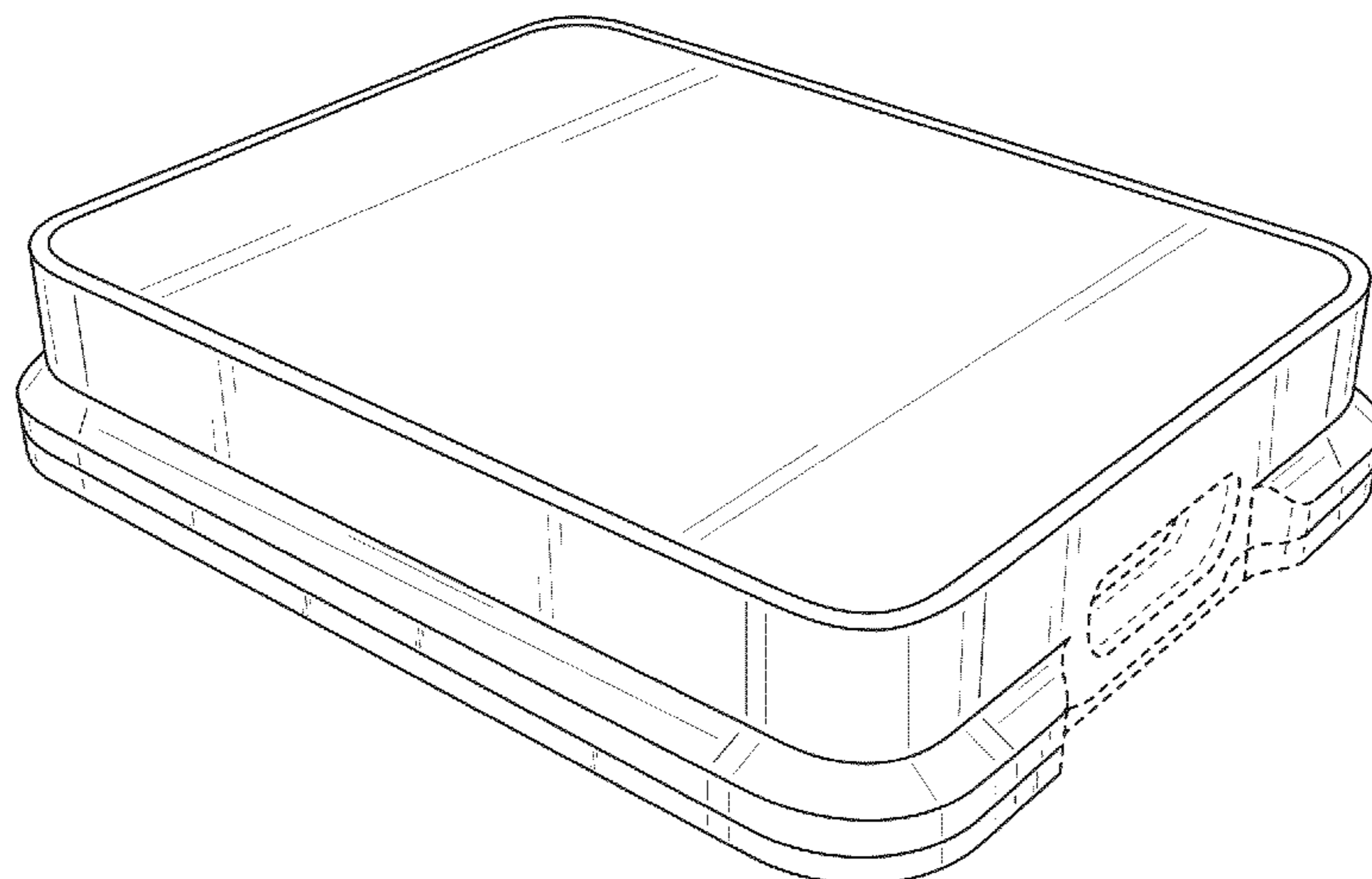
The ornamental design for a wearable device, as shown and
described.

DESCRIPTION

FIG. 1 is a wearable device in a perspective view;
FIG. 2 is a top view thereof;
FIG. 3 is a bottom view thereof;
FIG. 4 is a left side view thereof;
FIG. 5 is a right side thereof;
FIG. 6 is a front view thereof; and,
FIG. 7 is a rear view thereof.

The broken lines illustrate portions of the wearable device
that form no part of the claimed design.

1 Claim, 7 Drawing Sheets



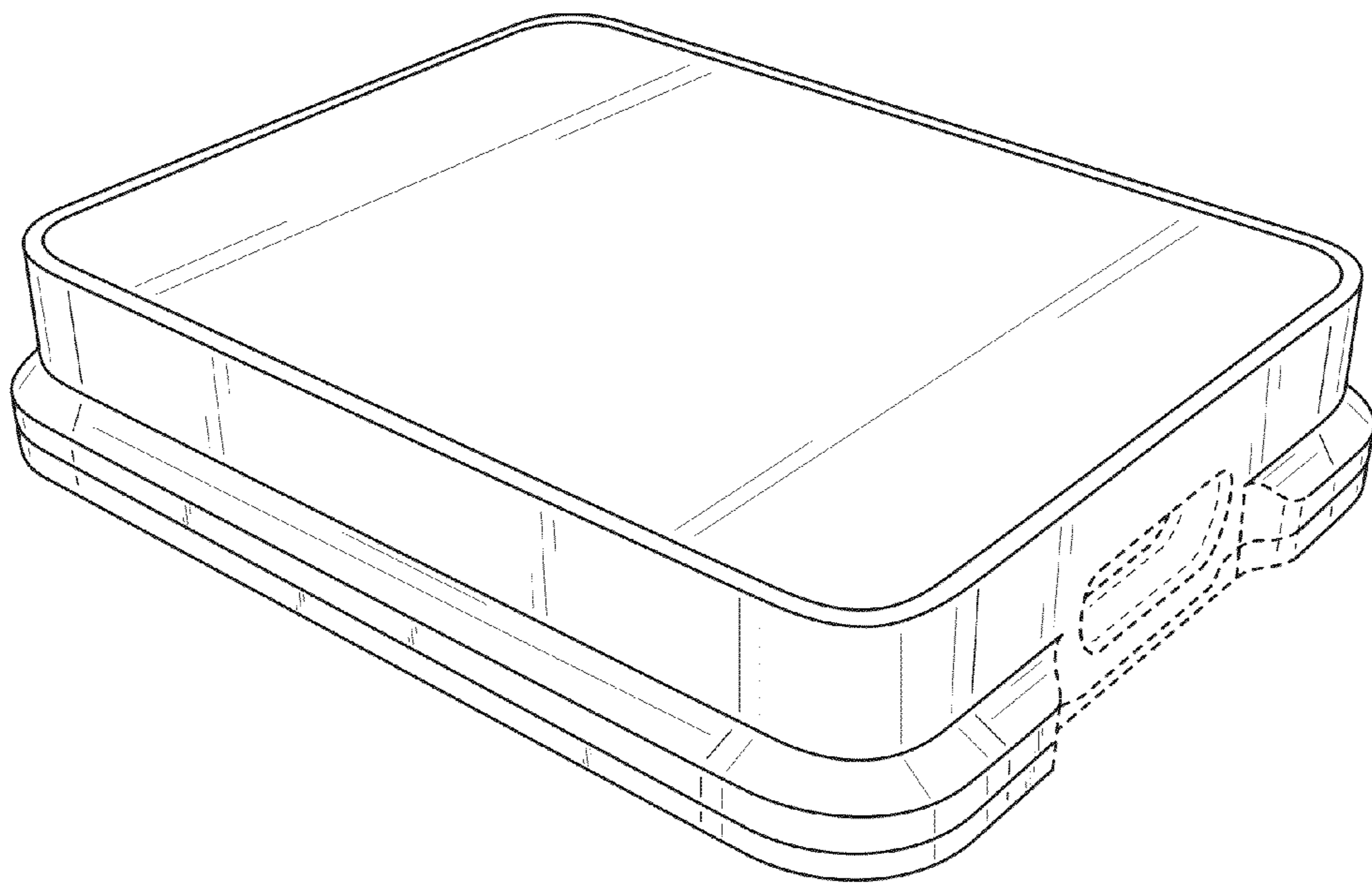


FIG. 1

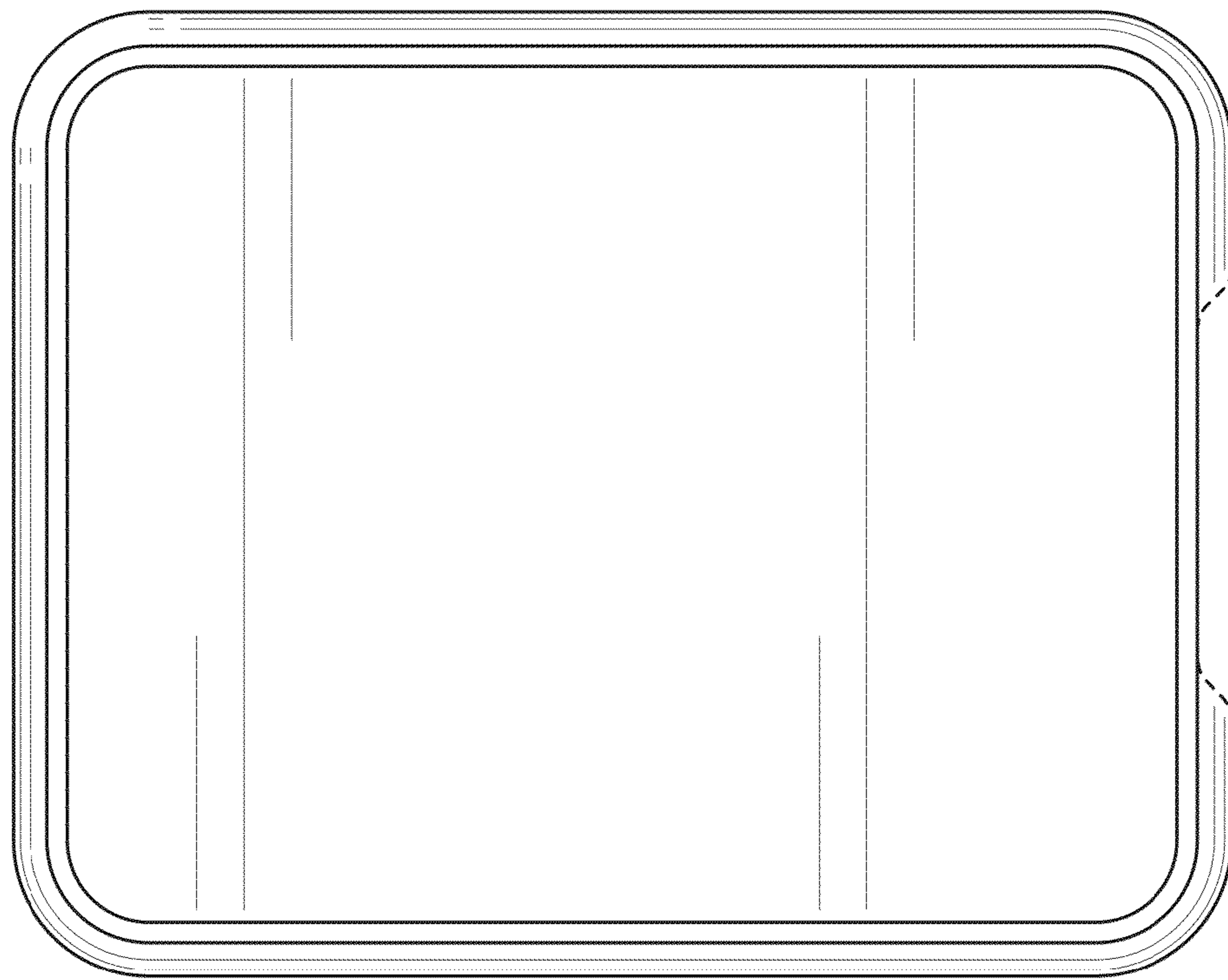


FIG. 2

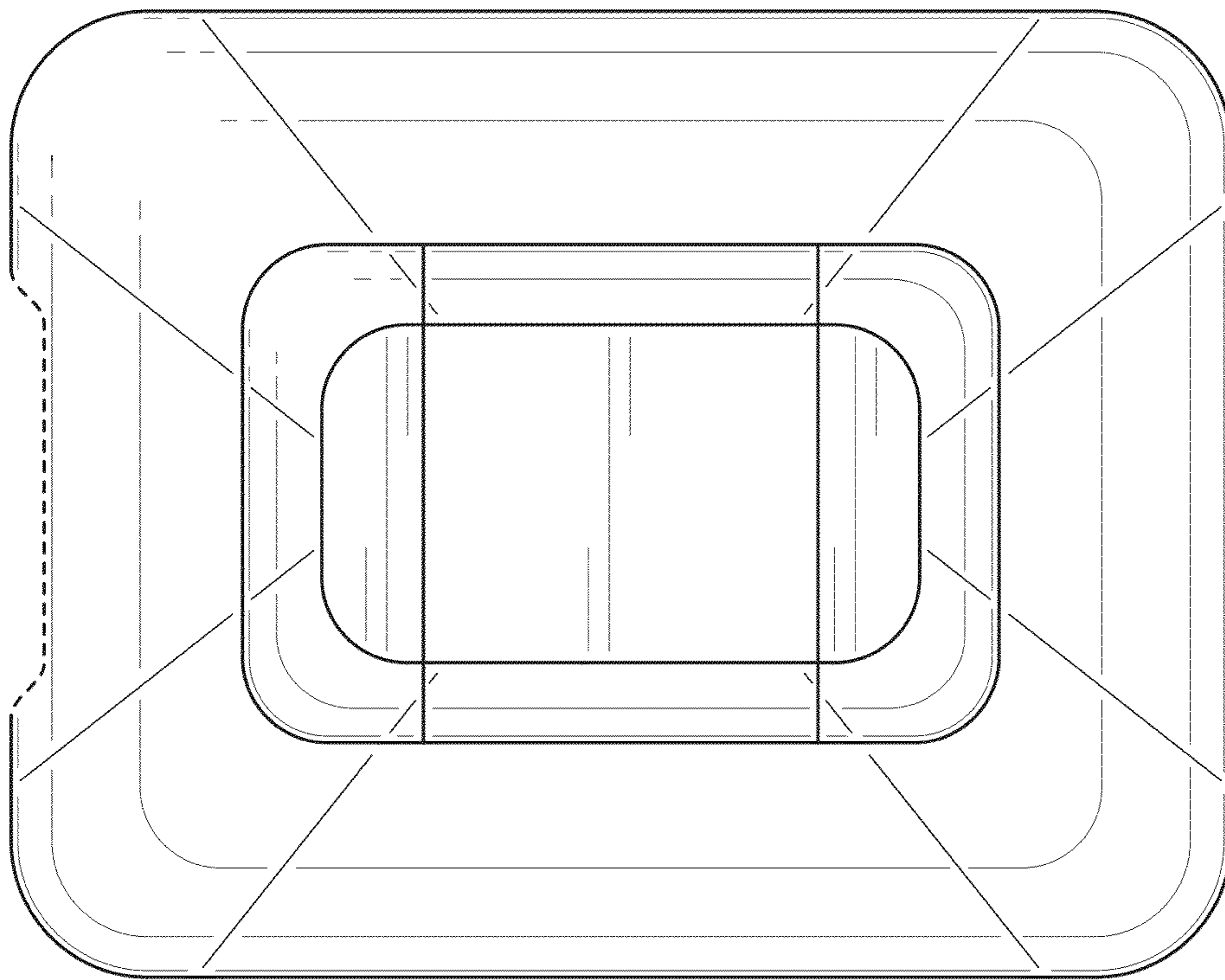


FIG. 3

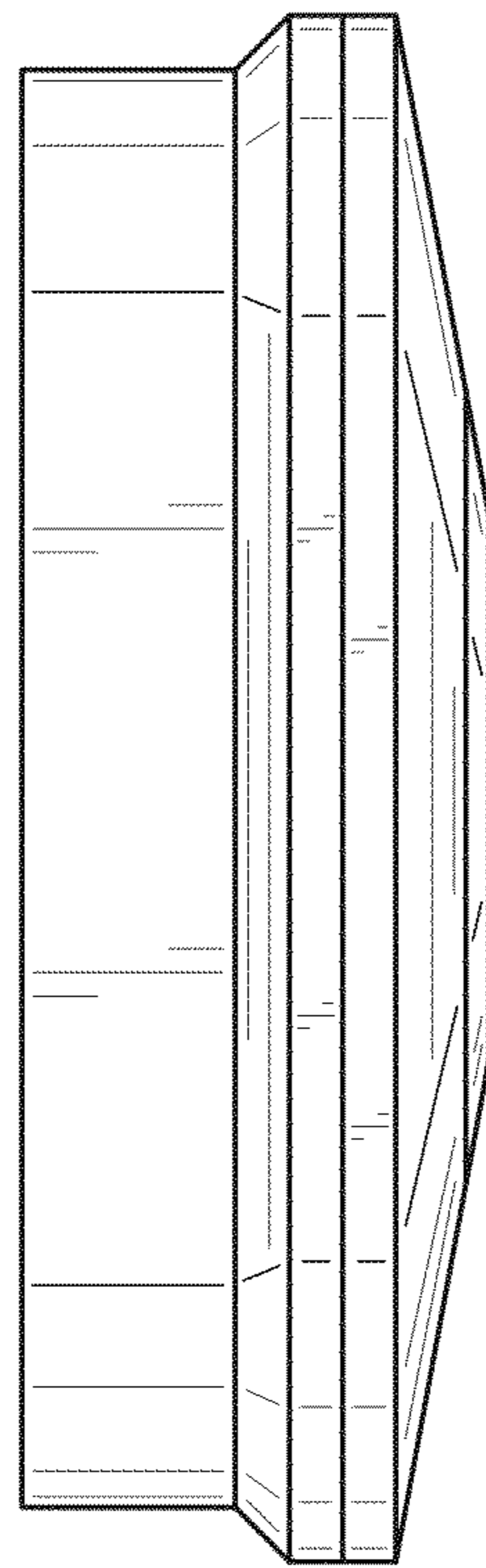


FIG. 4

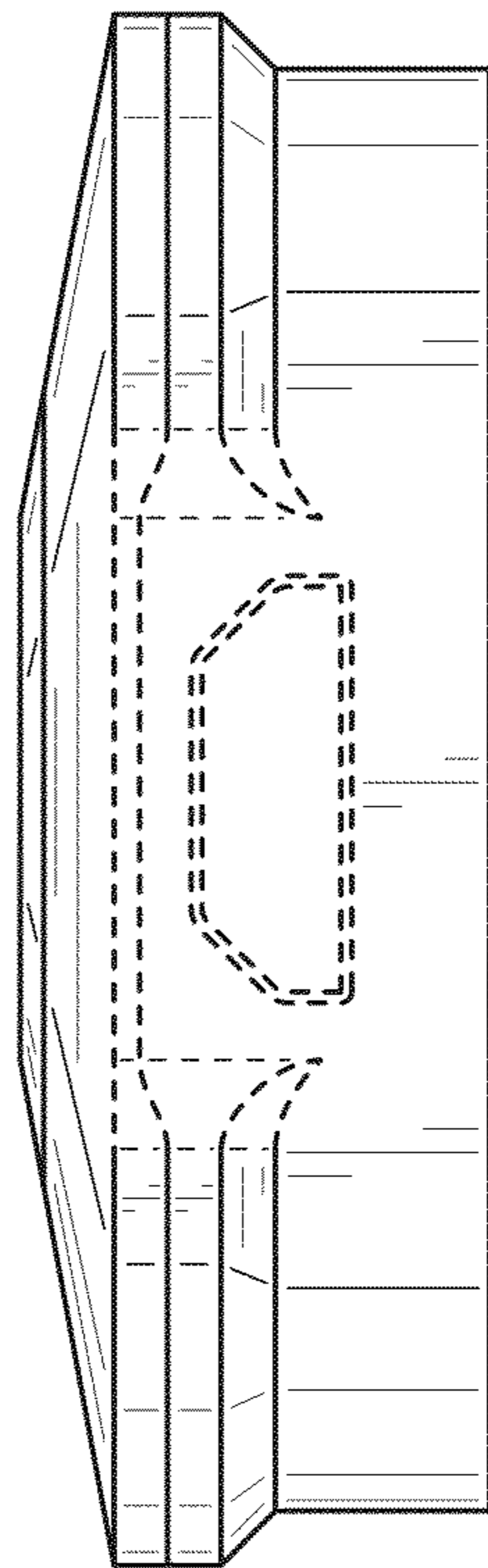


FIG. 5

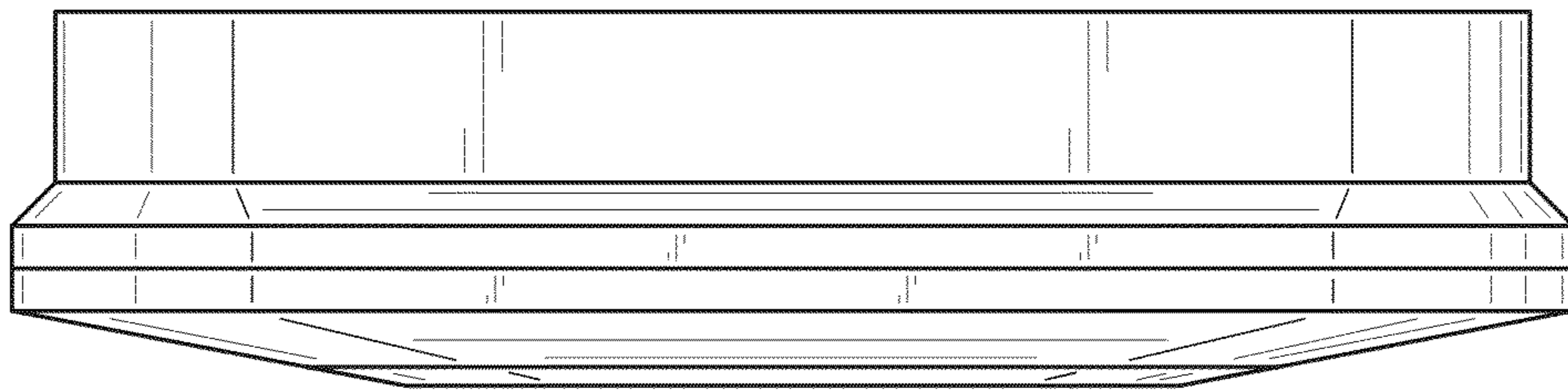


FIG. 6

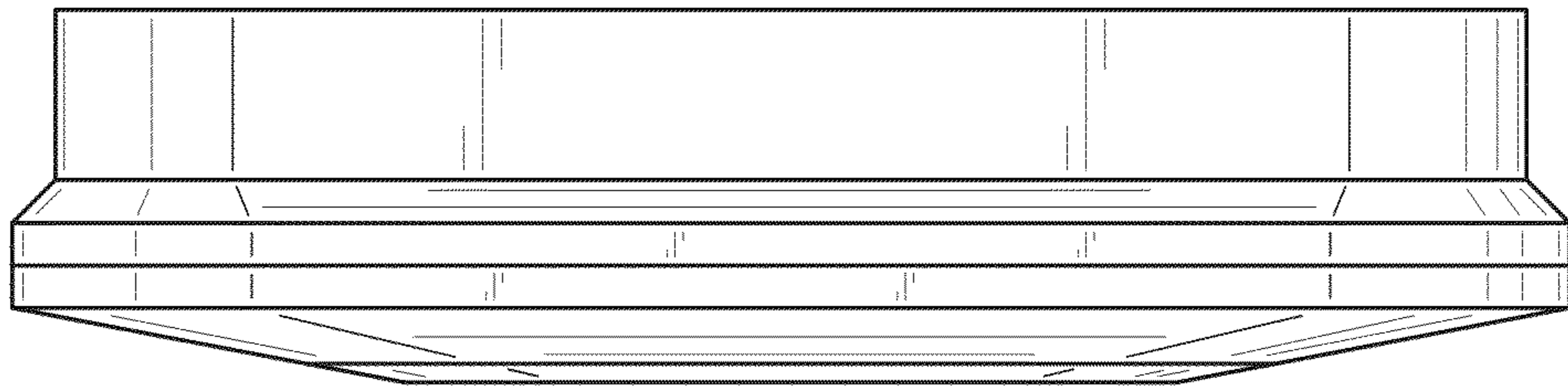


FIG. 7