



US00D755783S

(12) **United States Design Patent**  
**Shi et al.**

(10) **Patent No.:** **US D755,783 S**

(45) **Date of Patent:** **\*\* May 10, 2016**

(54) **TABLETOP CONTROL PANEL**

(57) **CLAIM**

The ornamental design for a tabletop control panel, as shown and described.

(71) Applicant: **RGB Systems, Inc.**, Anaheim, CA (US)

**DESCRIPTION**

(72) Inventors: **Xuyao Shi**, Cary, NC (US); **Kate N. Gentle**, Cary, NC (US); **Jaysun Stockdell-Giesler**, Cary, NC (US); **David H. Libman**, Dove Canyon, CA (US); **J. Weldon Gammon**, Raleigh, NC (US); **Deborah M. Hinzman**, Raleigh, NC (US)

FIG. 1 is a front perspective view of the tabletop control panel of a first embodiment of the present invention;  
FIG. 2 is a rear perspective view of the tabletop control panel of a first embodiment of the present invention;  
FIG. 3 is a front view of the tabletop control panel of a first embodiment of the present invention;  
FIG. 4 is rear view of the tabletop control panel of a first embodiment of the present invention;  
FIG. 5 is a left side view of the tabletop control panel of a first embodiment of the present invention;  
FIG. 6 is a right side view of the tabletop control panel of a first embodiment of the present invention;  
FIG. 7 is a top view of the tabletop control panel of a first embodiment of the present invention;  
FIG. 8 is a bottom view of the tabletop control panel of a first embodiment of the present invention;  
FIG. 9 is a detail view of the bottom right part of the grille located on the front of the tabletop control panel of a first embodiment of the present invention;  
FIG. 10 is a front perspective view of the tabletop control panel of a second embodiment of the present invention;  
FIG. 11 is a rear perspective view of the tabletop control panel of a second embodiment of the present invention;  
FIG. 12 is a front view of the tabletop control panel of a second embodiment of the present invention;  
FIG. 13 is rear view of the tabletop control panel of a second embodiment of the present invention;  
FIG. 14 is a left side view of the tabletop control panel of a second embodiment of the present invention;  
FIG. 15 is a right side view of the tabletop control panel of a second embodiment of the present invention;  
FIG. 16 is a top view of the tabletop control panel of a second embodiment of the present invention;  
FIG. 17 is a bottom view of the tabletop control panel of a second embodiment of the present invention; and,  
FIG. 18 is a detail view of the bottom right part of the grille located on the front of the tabletop control panel of a second embodiment of the present invention.

(73) Assignee: **RGB Systems, Inc.**, Anaheim, CA (US)

(\*\*) Term: **14 Years**

(21) Appl. No.: **29/480,818**

(22) Filed: **Jan. 29, 2014**

(51) **LOC (10) Cl.** ..... **14-02**

(52) **U.S. Cl.**  
USPC ..... **D14/336**

(58) **Field of Classification Search**  
USPC ..... D14/336, 337, 371-376, 125-129, 307,  
D14/388; 345/104, 156, 168, 169, 173, 87;  
348/180, 184, 325, 739; 248/917-924;  
341/12; 349/1, 2, 11, 62; 361/679.22,  
361/679.27  
CPC ..... G06F 1/16; G06F 1/1601; G06F 3/037;  
G06F 1/162; G06Q 20/18  
See application file for complete search history.

(56) **References Cited**

**U.S. PATENT DOCUMENTS**

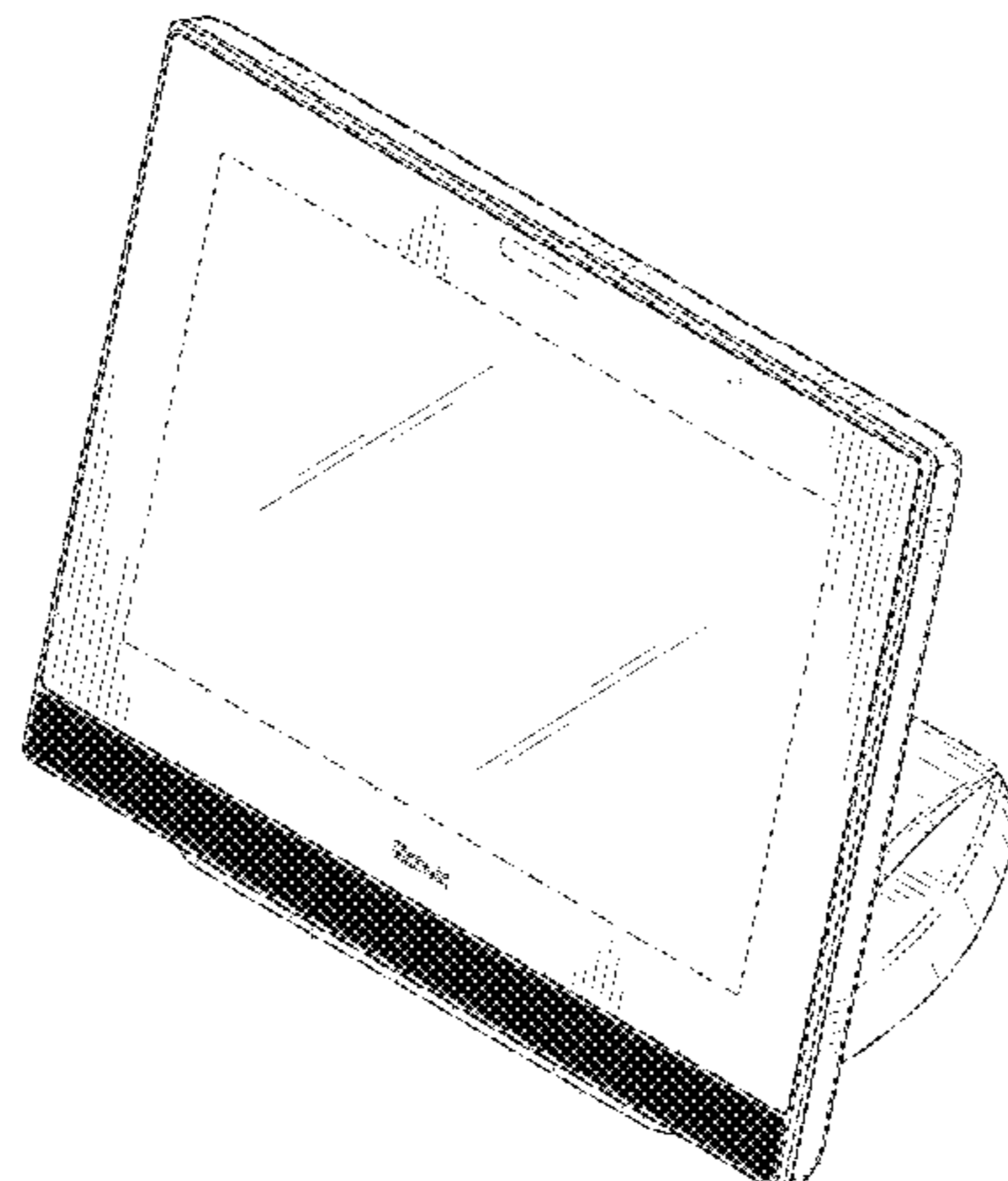
6,053,411 A \* 4/2000 Nugent et al. .... 235/462.43  
6,593,859 B1 \* 7/2003 Watanabe ..... 341/20

(Continued)

*Primary Examiner* — Freda S Nunn

(74) *Attorney, Agent, or Firm* — The Hecker Law Group,  
PLC

**1 Claim, 18 Drawing Sheets**



# US D755,783 S

Page 2

---

(56)

## References Cited

### U.S. PATENT DOCUMENTS

D494,176 S \* 8/2004 Porter et al. .... D14/388  
6,856,506 B2 \* 2/2005 Doherty et al. .... 361/679.27  
7,016,181 B2 \* 3/2006 Ito et al. .... 361/679.31

D544,028 S \* 6/2007 Hanafusa et al. .... D18/4.4  
D614,617 S \* 4/2010 Pepper et al. .... D14/336  
D660,837 S \* 5/2012 Libman et al. .... D14/336

\* cited by examiner

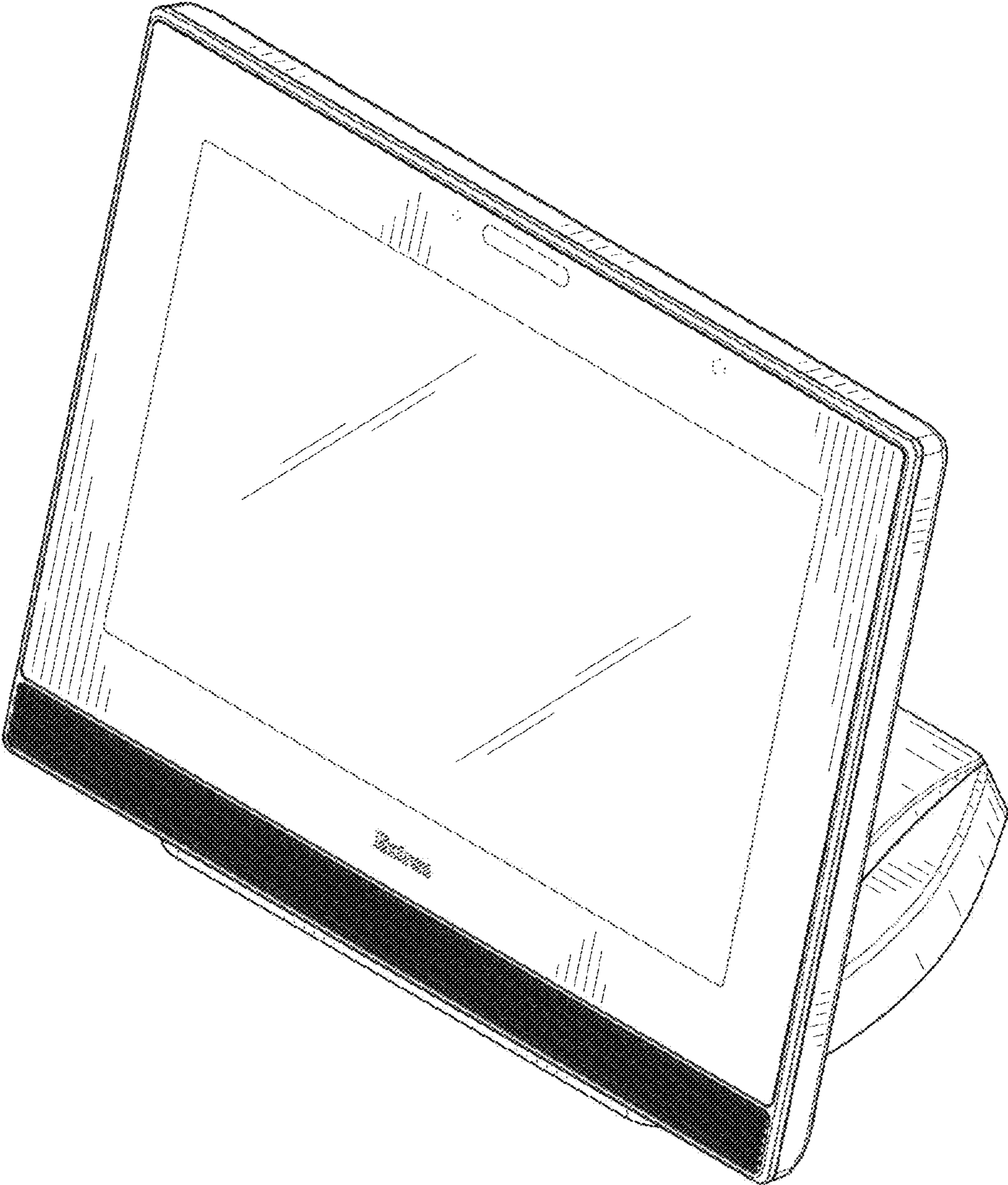


Fig. 1



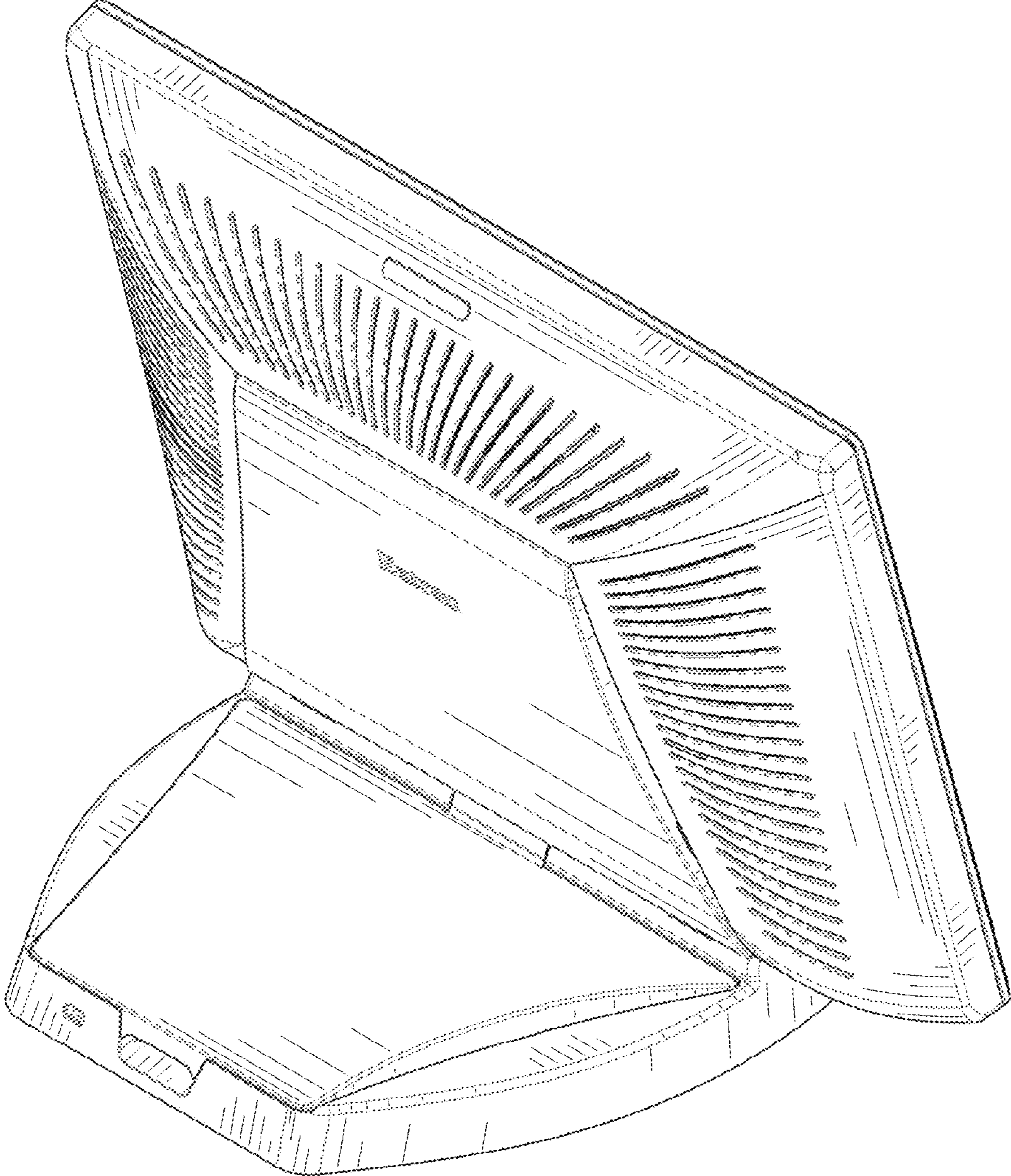


Fig. 2

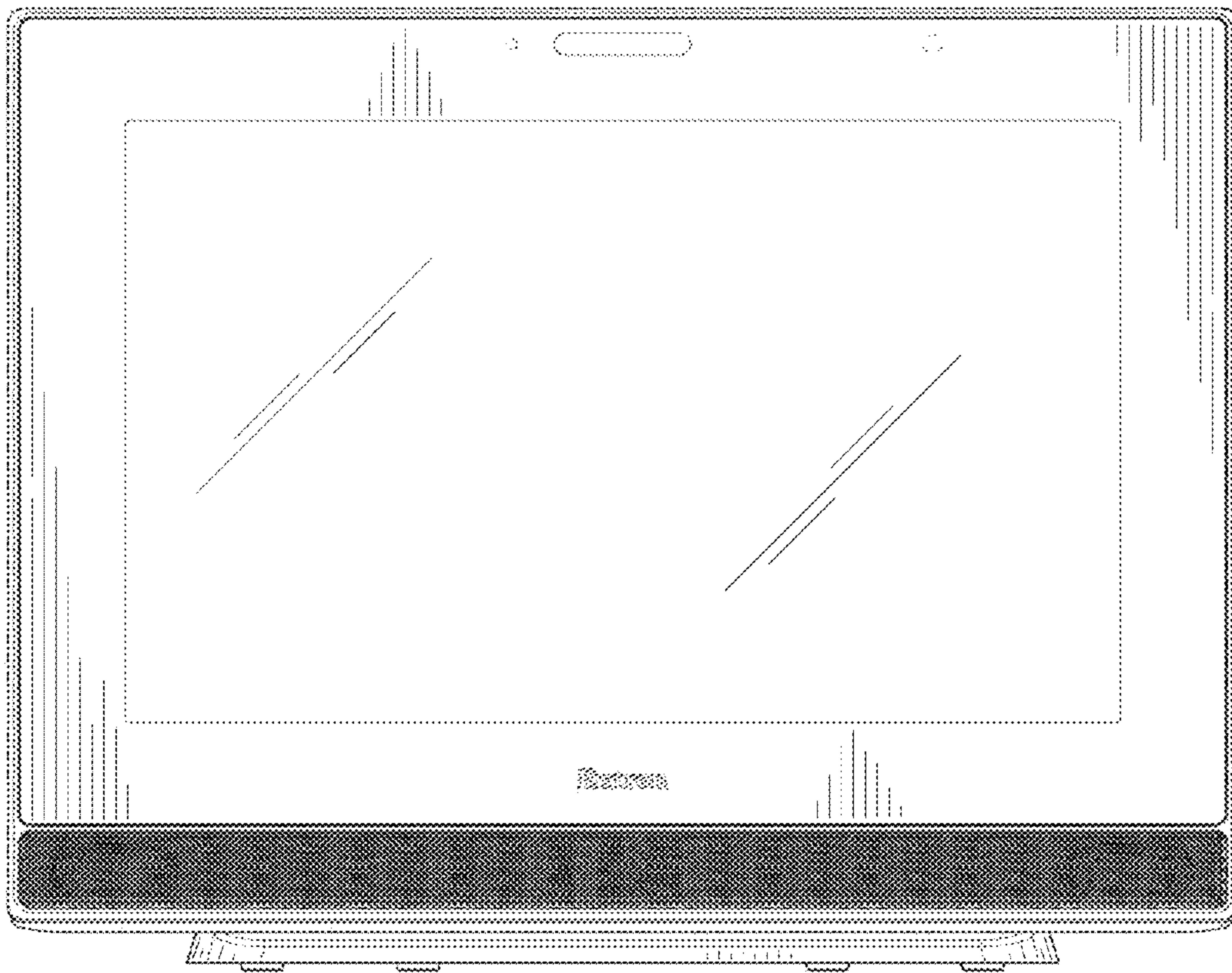


Fig. 3

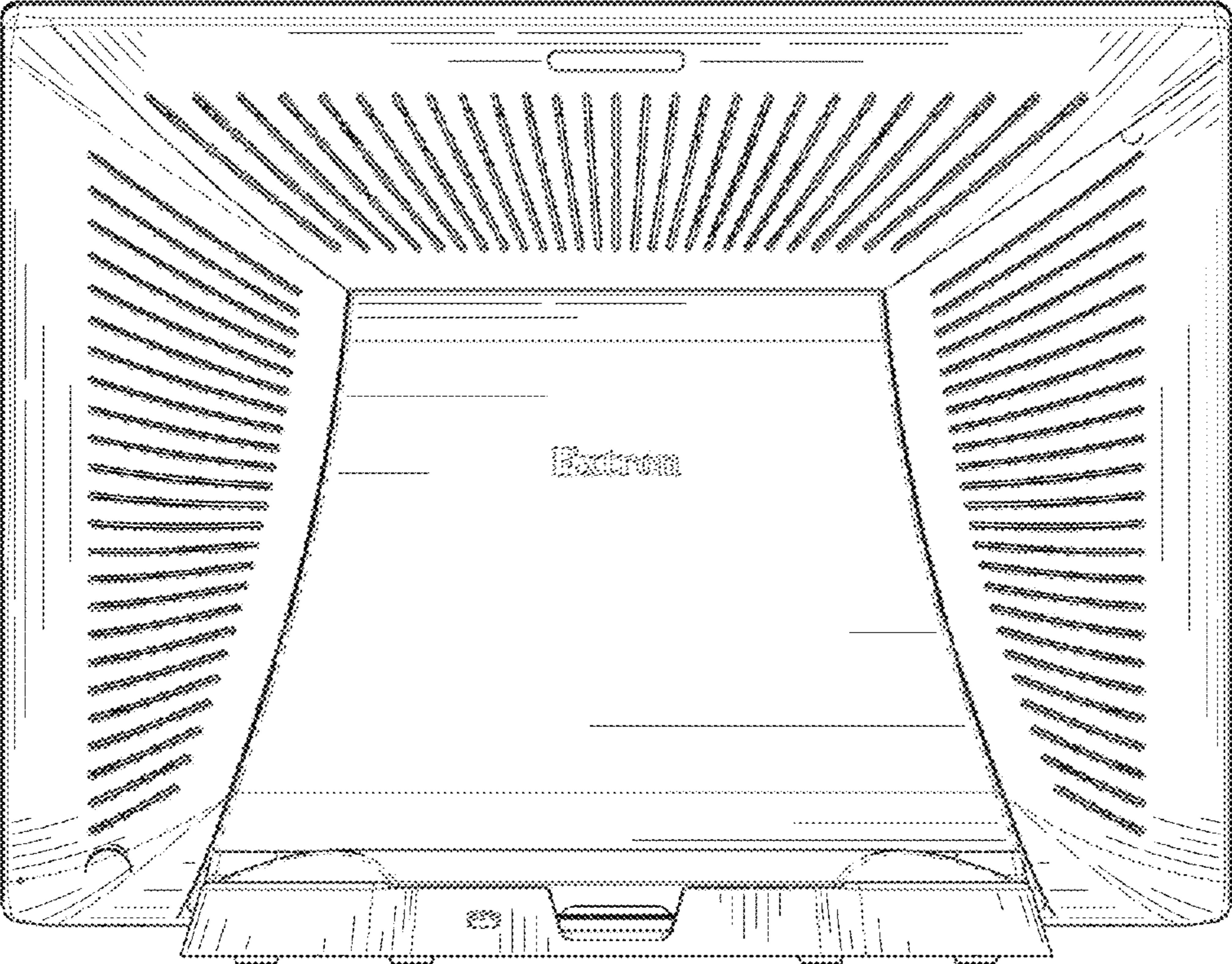


Fig. 4



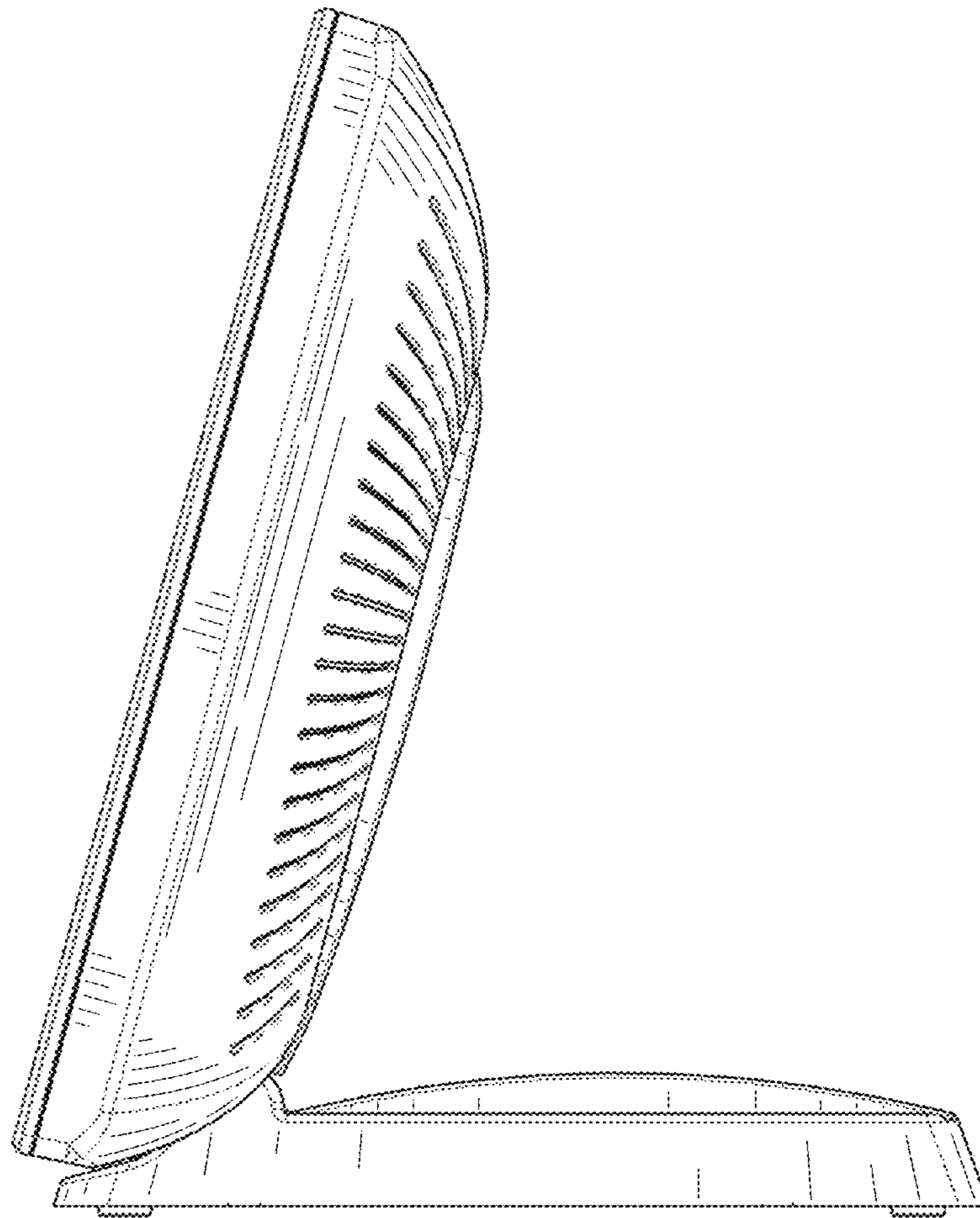


Fig. 5

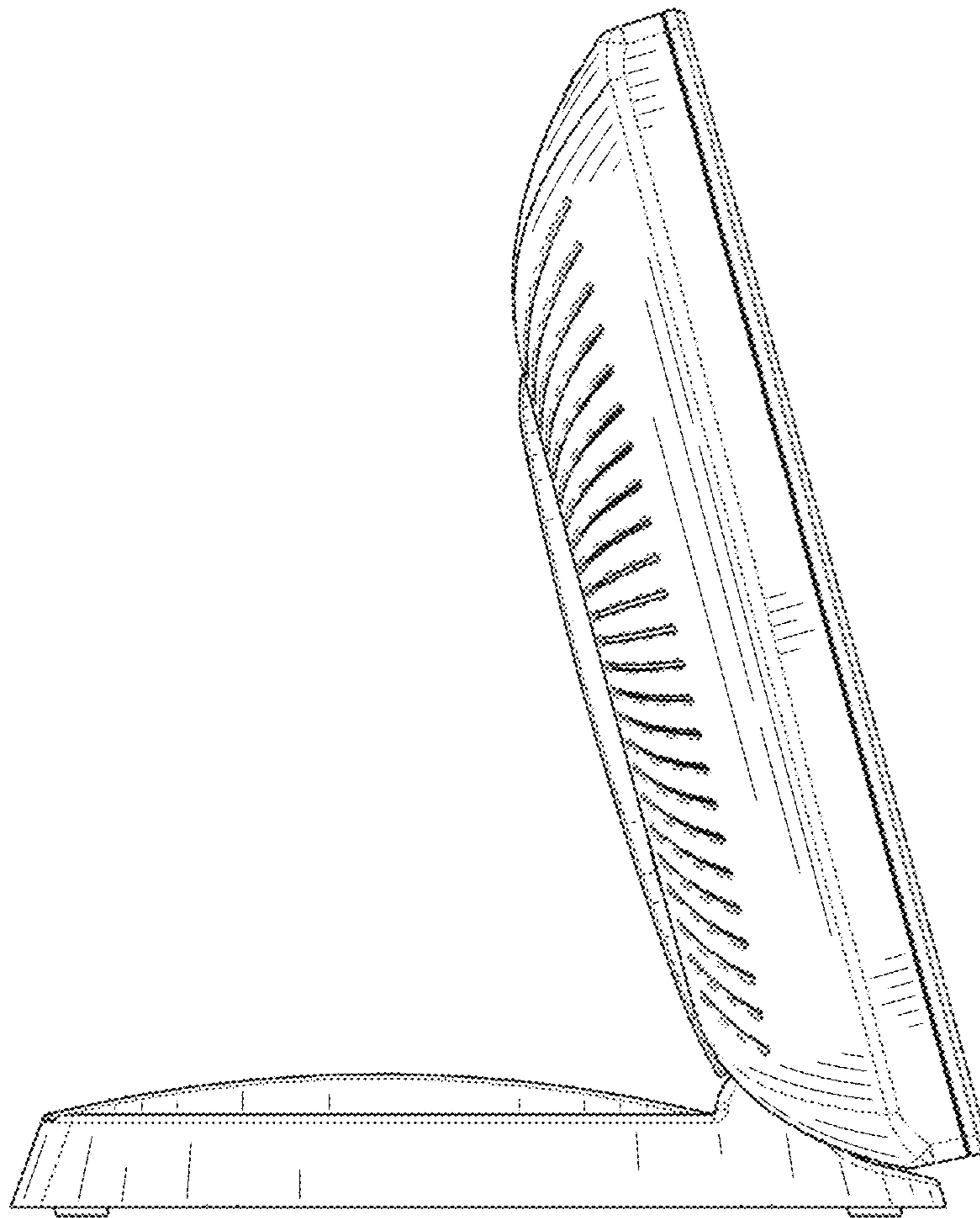


Fig. 6



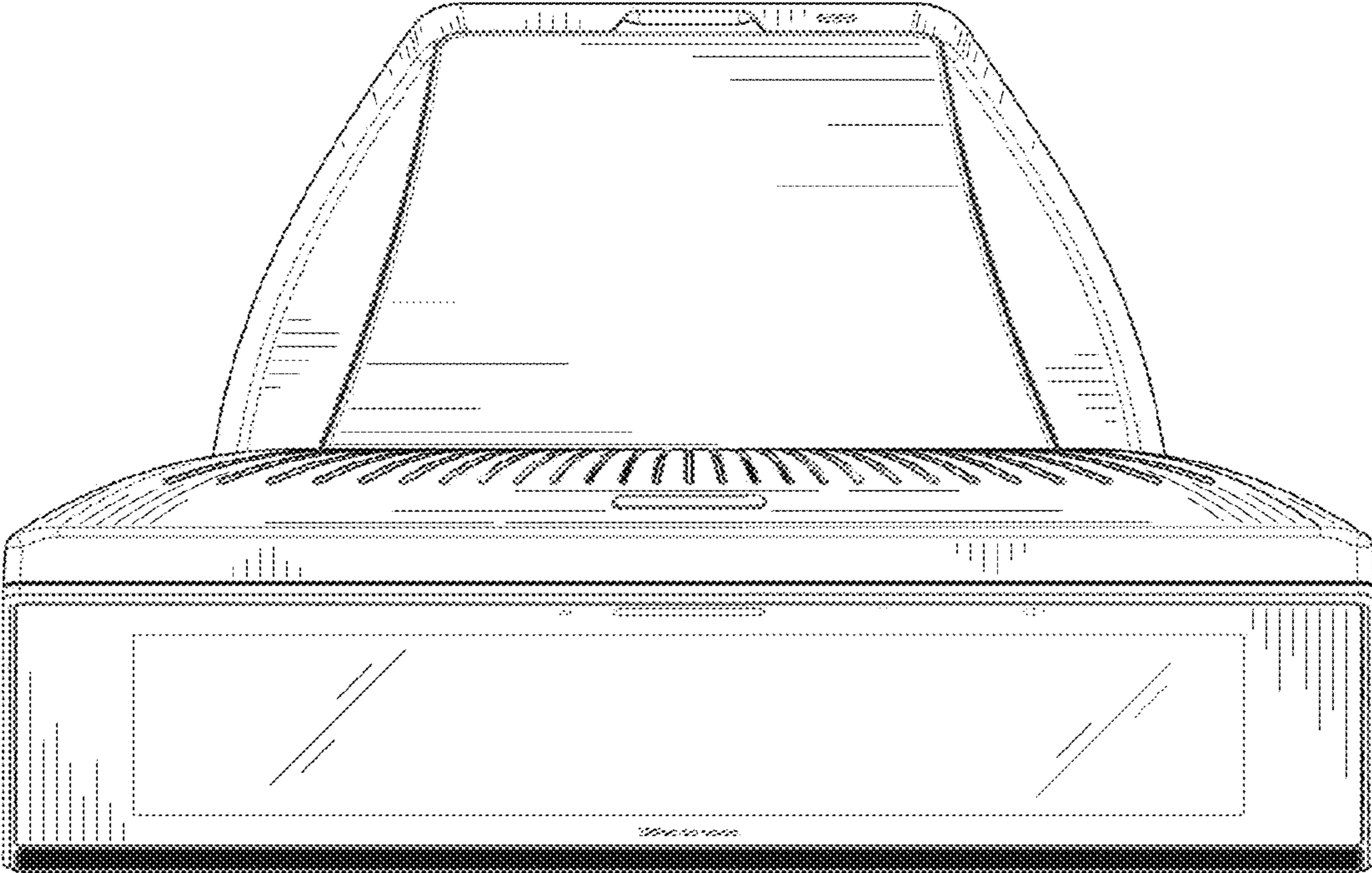


Fig. 7

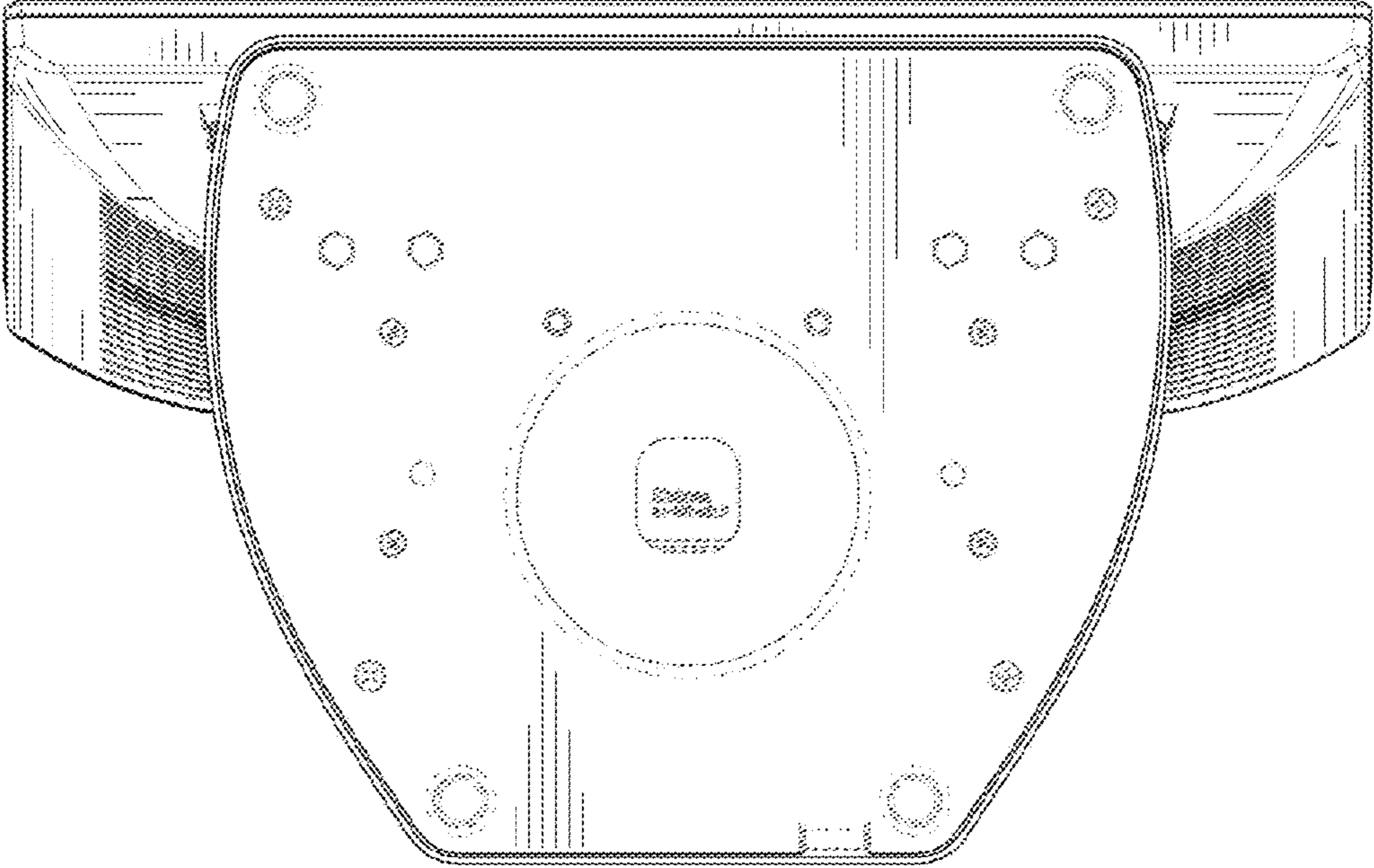


Fig. 8

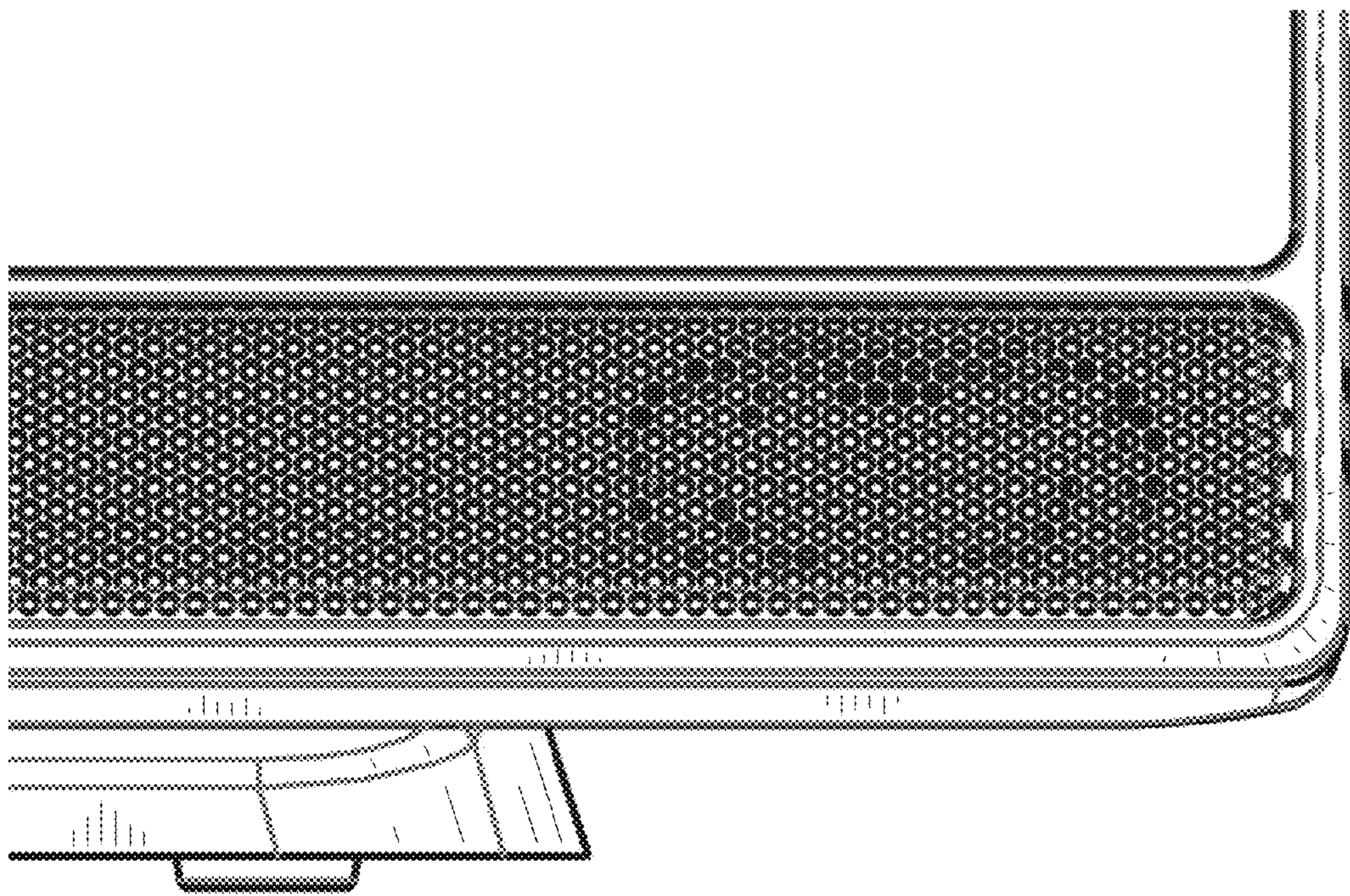


Fig. 9



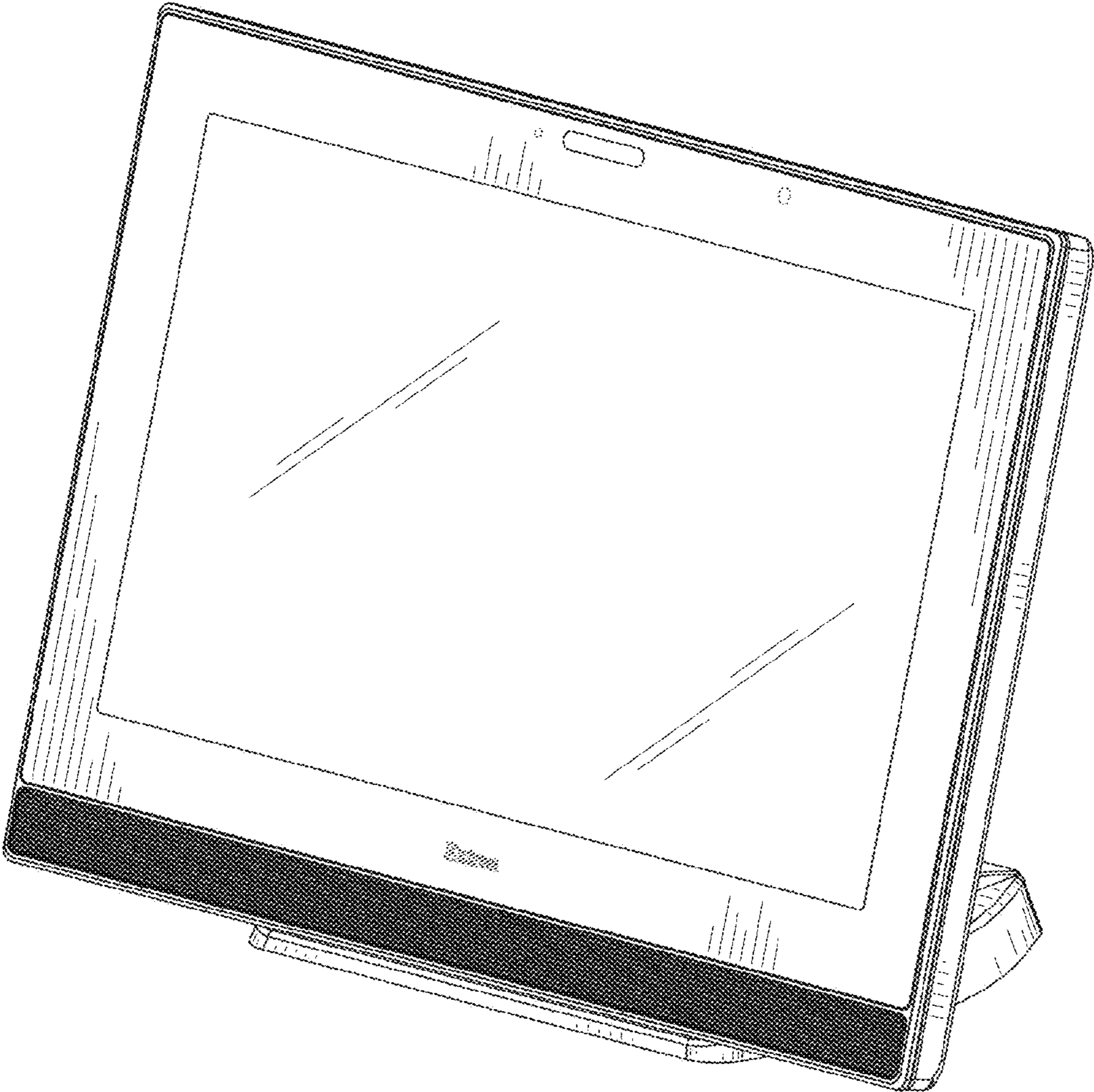


Fig. 10

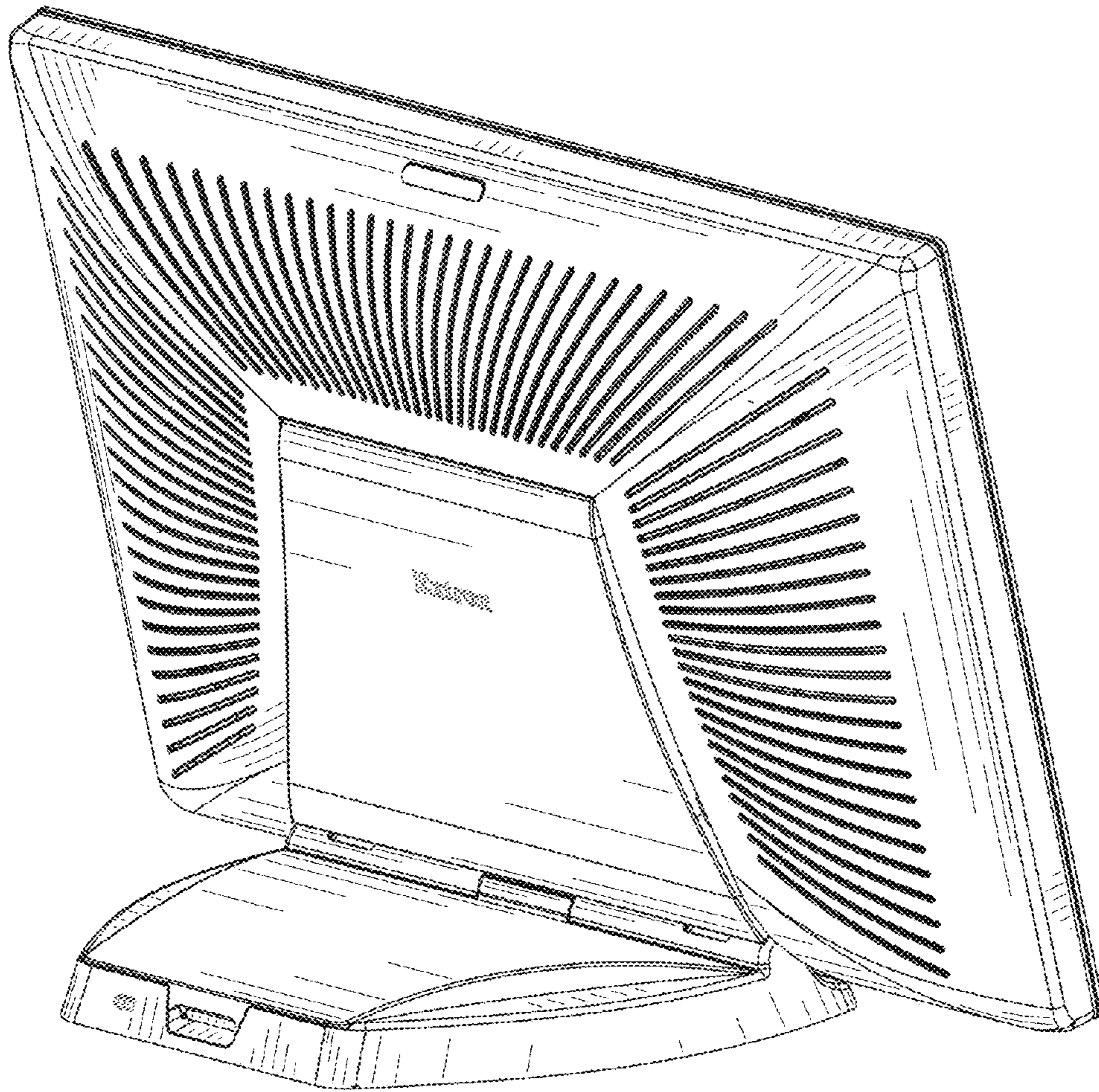


Fig. 11

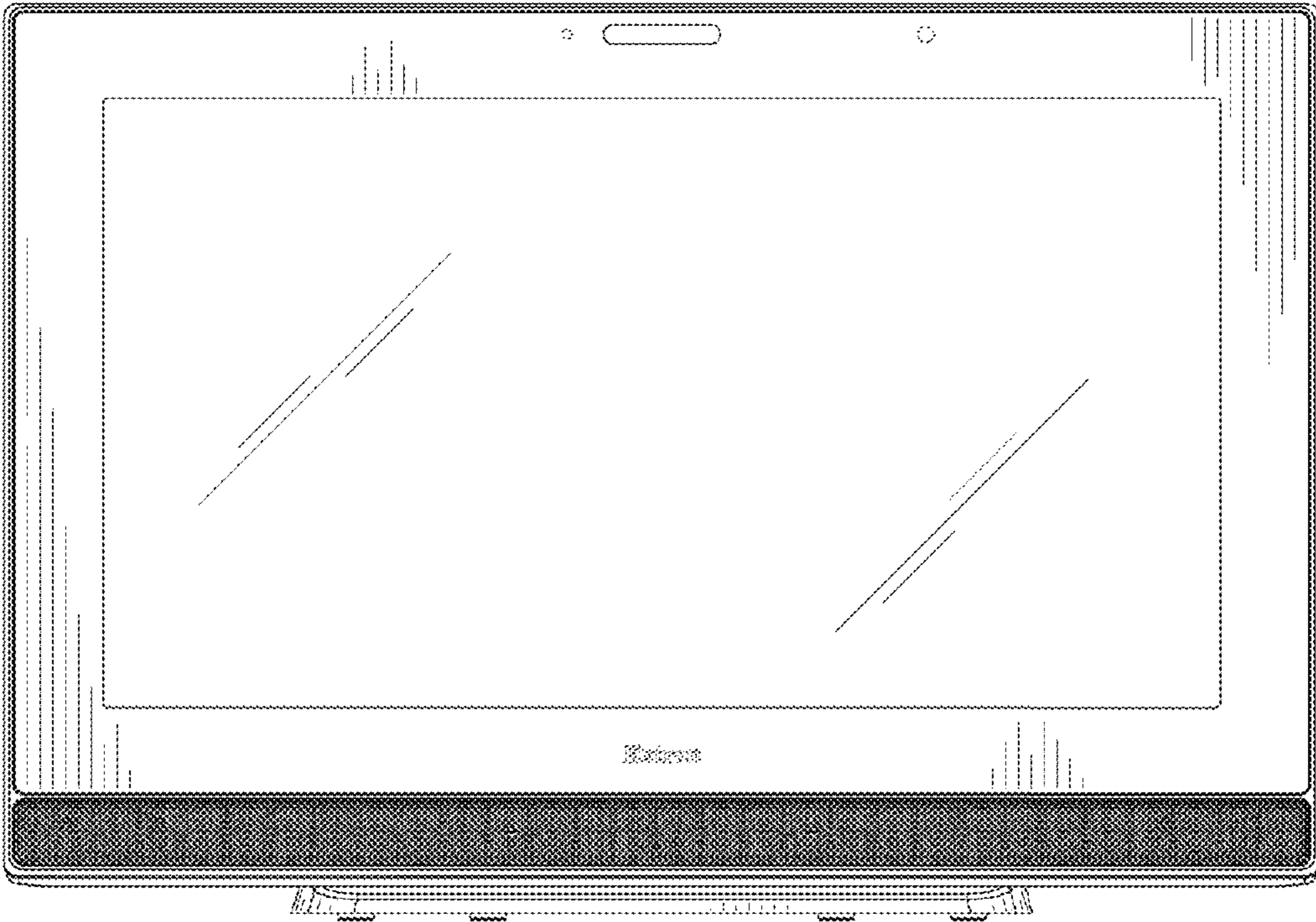


Fig. 12



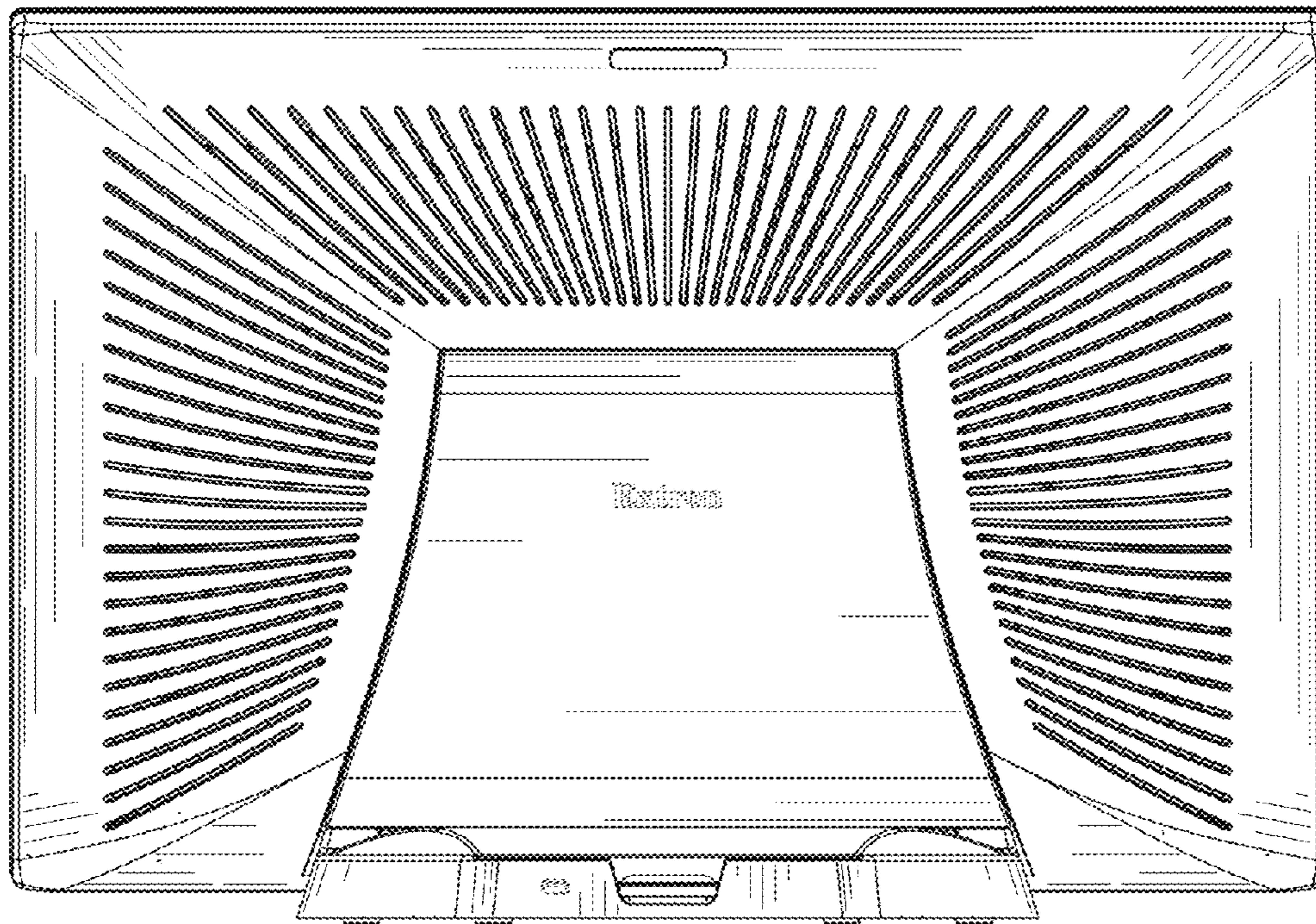


Fig. 13

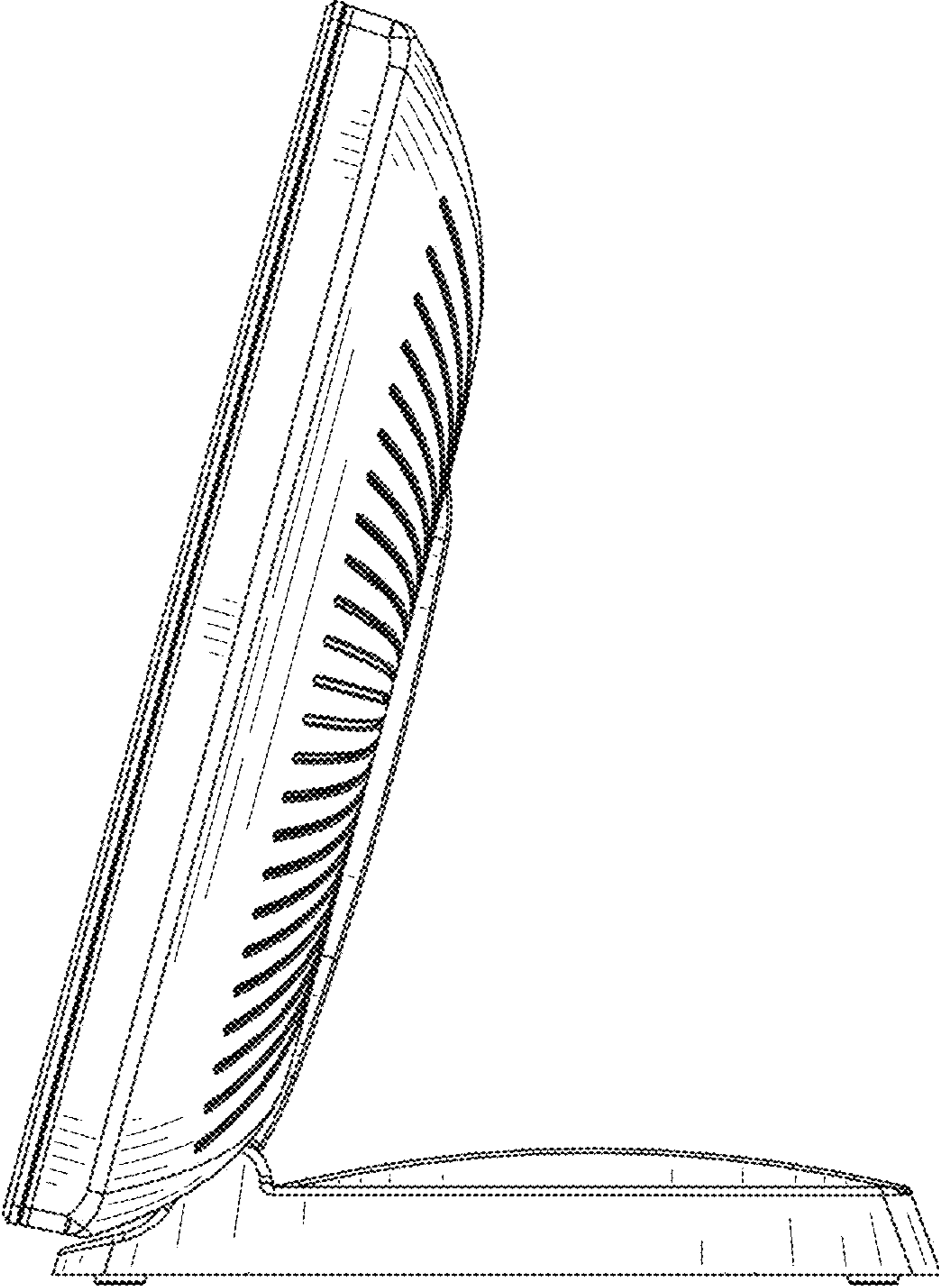


Fig. 14

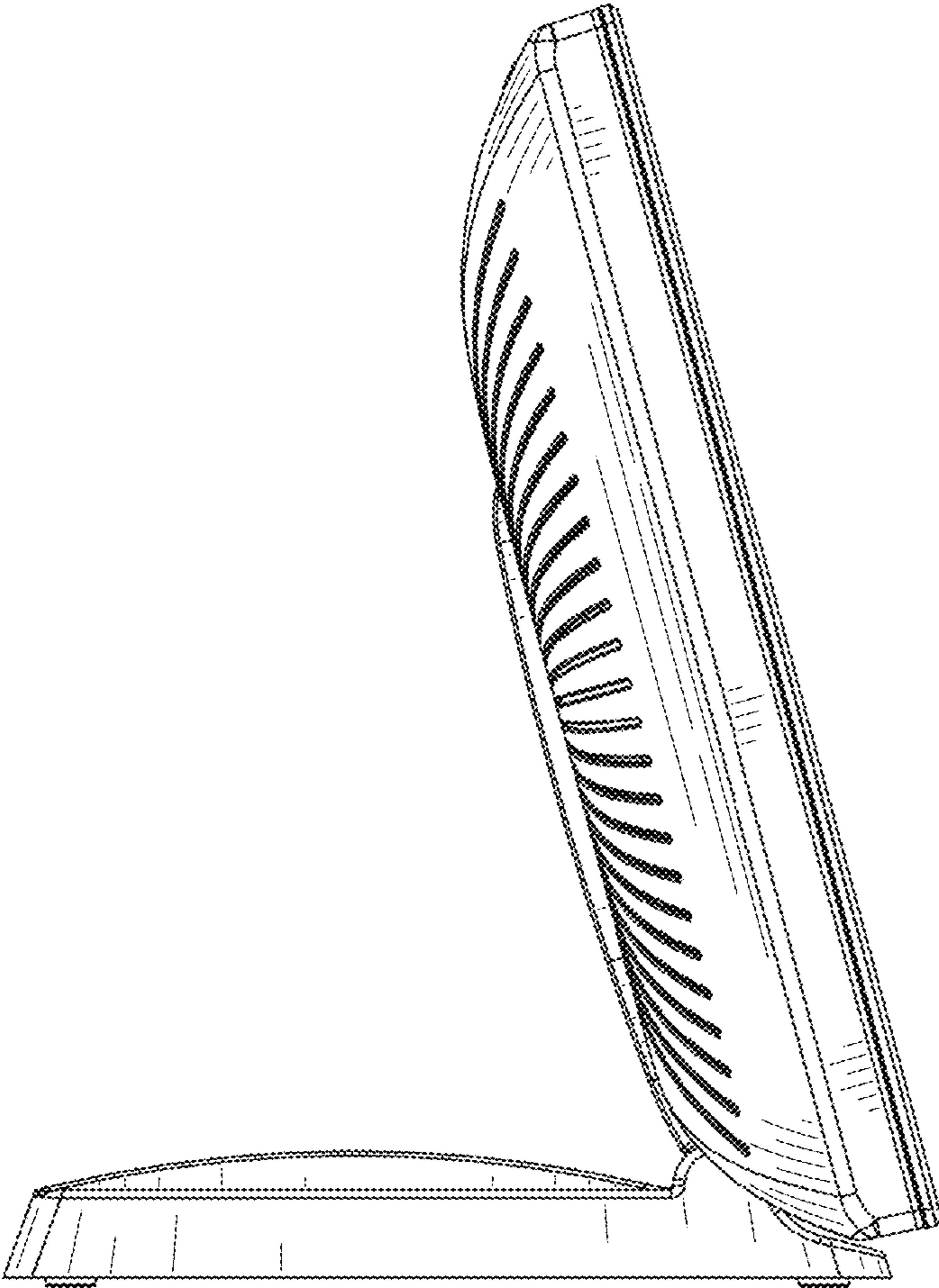


Fig. 15



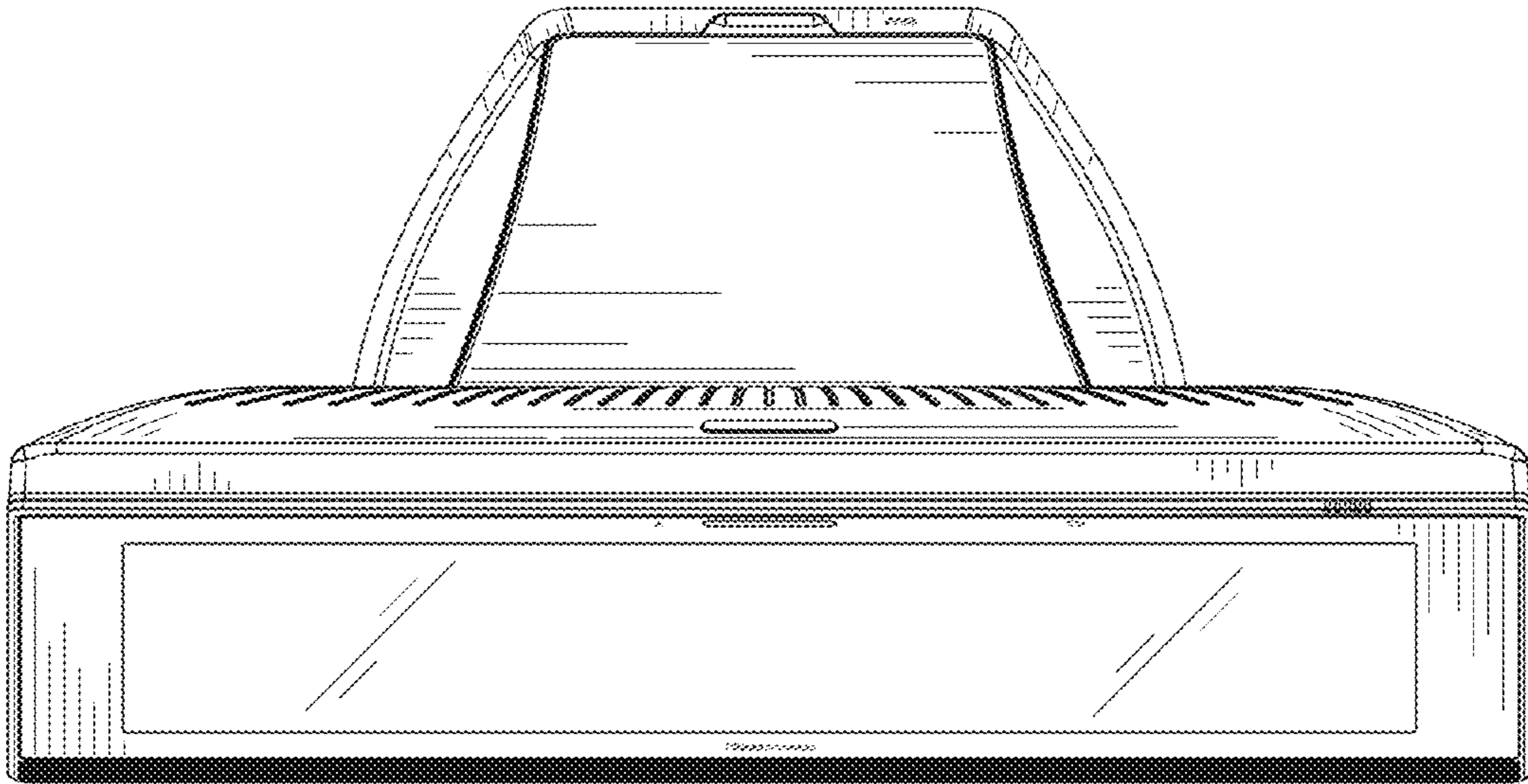


Fig. 16

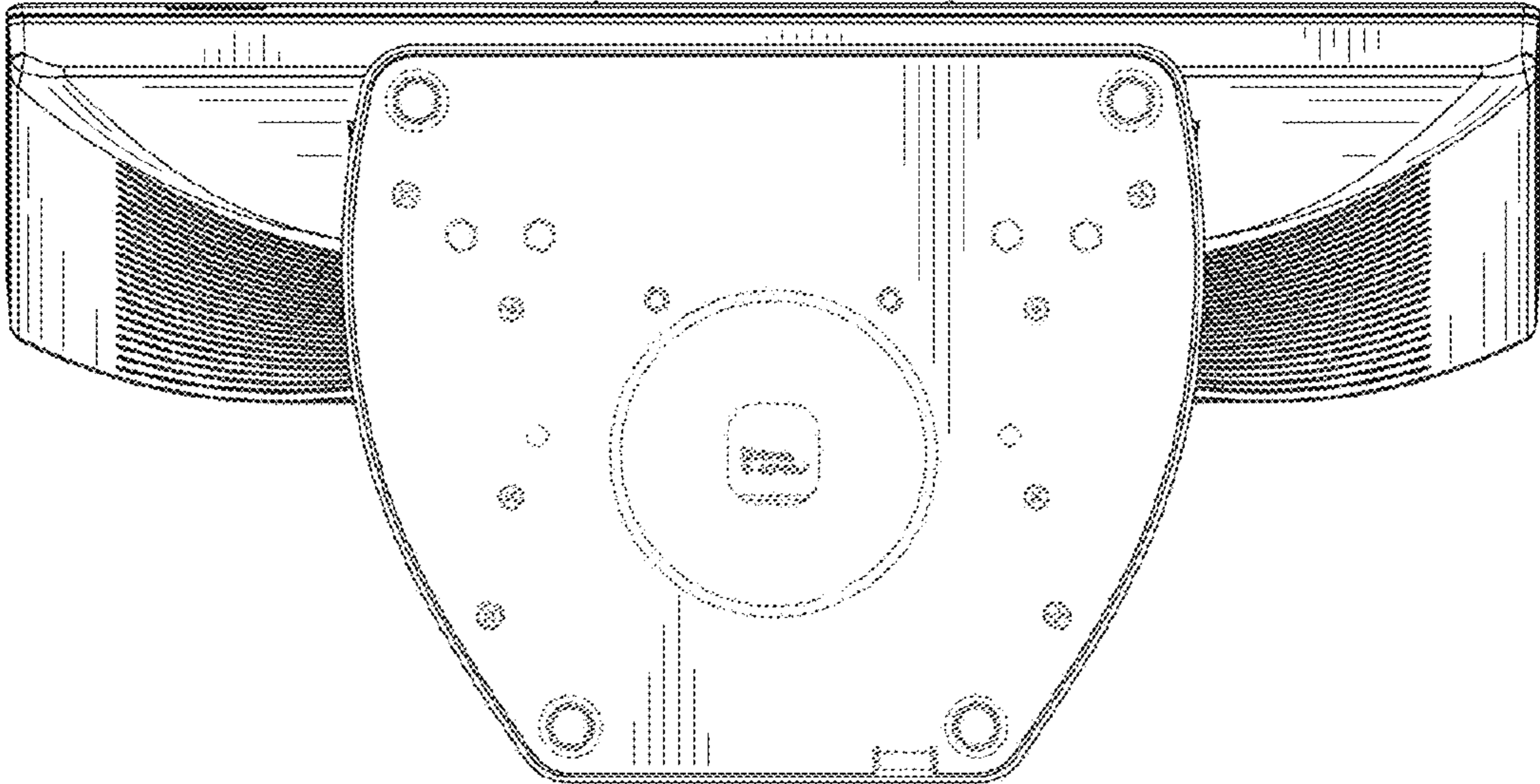


Fig. 17

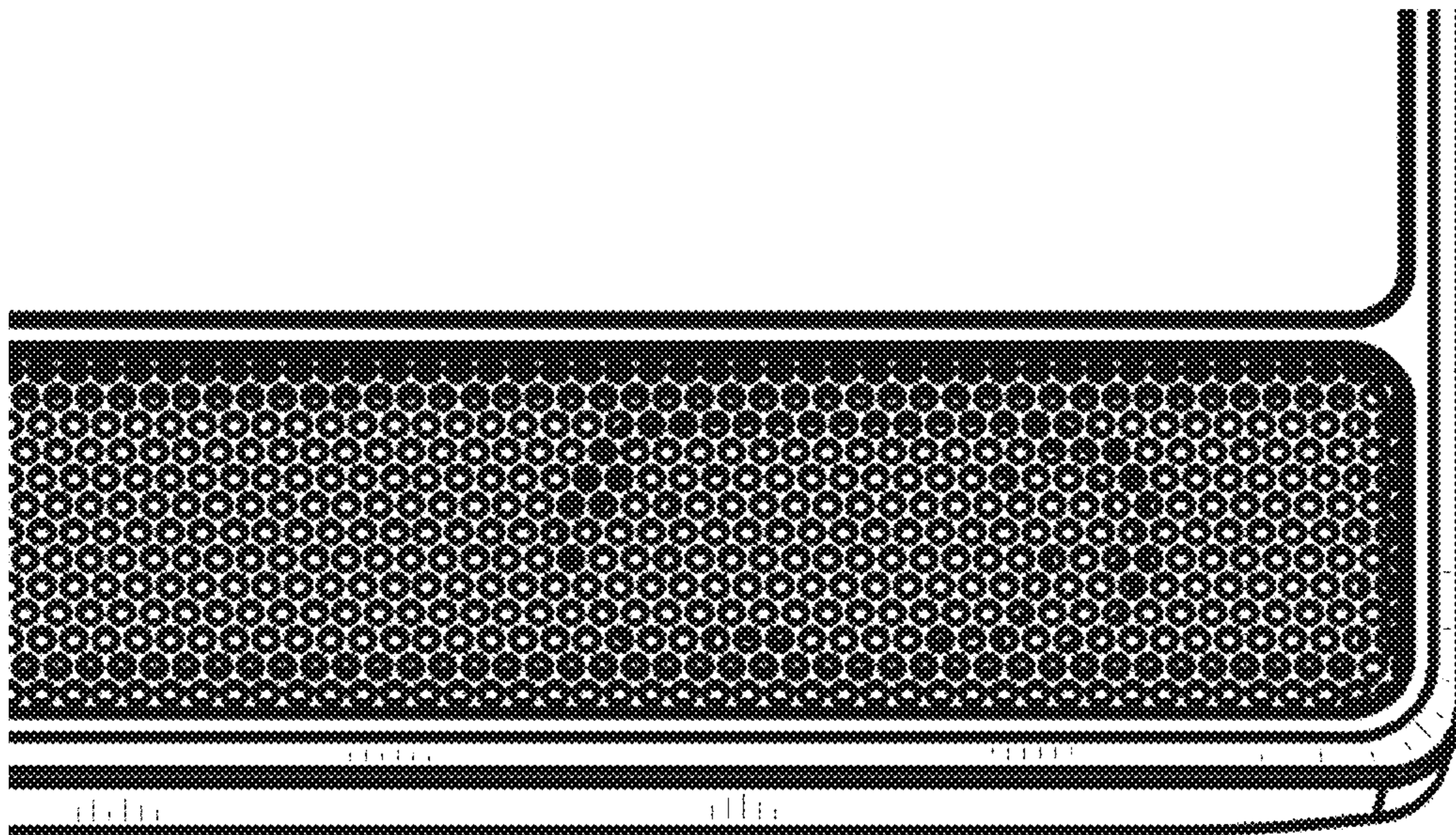


Fig. 18