



US00D755780S

(12) **United States Design Patent**  
**Lin**

(10) **Patent No.:** **US D755,780 S**  
(45) **Date of Patent:** **\*\* May 10, 2016**

(54) **SERVER CASE**

(71) Applicant: **ACCTON TECHNOLOGY CORPORATION**, Hsinchu (TW)

(72) Inventor: **Yu-Chuang Lin**, Miaoli County (TW)

(73) Assignee: **ACCTON TECHNOLOGY CORPORATION**, Hsinchu (TW)

(\*\*) Term: **14 Years**

(21) Appl. No.: **29/487,858**

(22) Filed: **Apr. 13, 2014**

(30) **Foreign Application Priority Data**

Feb. 12, 2014 (TW) ..... 103300777

(51) **LOC (10) Cl.** ..... **14-02**

(52) **U.S. Cl.**  
USPC ..... **D14/301**; D14/313

(58) **Field of Classification Search**  
USPC ..... D14/240, 300, 308, 313, 348-356,  
D14/364-368, 301; D13/123, 162, 184,  
D13/199; 312/223.1-223.3, 351.11;  
360/99.01-99.12; 369/34.01-36.01;  
361/679.31-679.33, 679.37, 679.39,  
361/679.46, 679.53, 679.4, 679.41, 727  
CPC ..... G06F 1/20; G06F 1/181; G06F 1/187;  
H05K 7/16; H05K 7/1424; H05H 7/20;  
G11B 33/128

See application file for complete search history.

(56) **References Cited**

U.S. PATENT DOCUMENTS

6,088,224 A \* 7/2000 Gallagher et al. .... 361/695  
D467,227 S \* 12/2002 Lee ..... D13/123  
D675,160 S \* 1/2013 Tanaka et al. .... D13/123  
2007/0127206 A1 \* 6/2007 Wade et al. .... 361/687

\* cited by examiner

*Primary Examiner* — Freda S Nunn

(74) *Attorney, Agent, or Firm* — CKC & Partners Co., Ltd.

(57) **CLAIM**

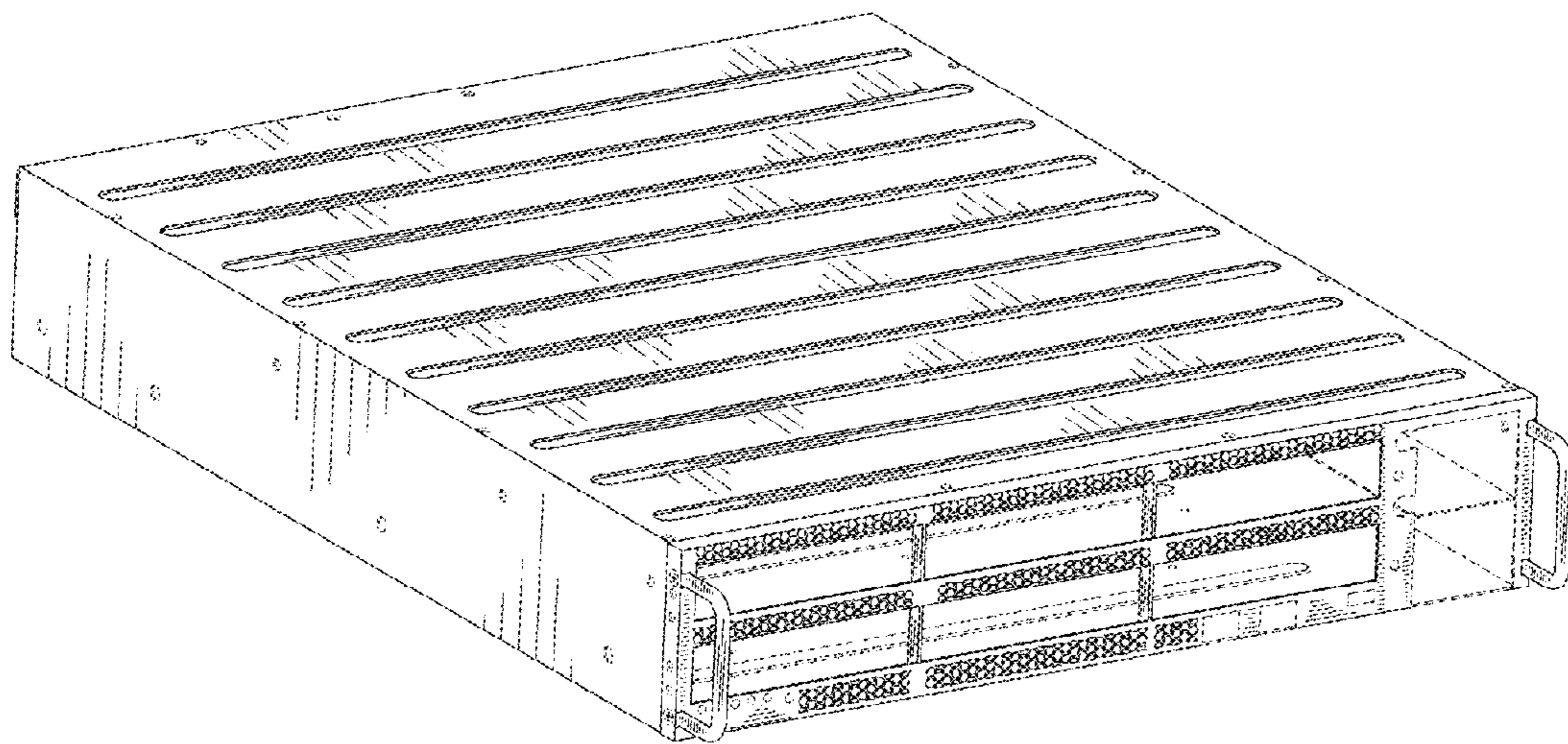
The ornamental design for a server case, as shown and described.

**DESCRIPTION**

FIG. 1 is a perspective view of a server case showing my new design;  
FIG. 2 is a front elevational view thereof;  
FIG. 3 is a rear elevational view thereof;  
FIG. 4 is a left side elevational view thereof;  
FIG. 5 is a right side elevational view thereof;  
FIG. 6 is a top plan view thereof;  
FIG. 7 is a bottom plan view thereof; and,  
FIG. 8 is an enlarged partial view thereof shown indicated in FIG. 3.

The broken lines shown represent unclaimed subject matter and form no part of the claimed design.

**1 Claim, 8 Drawing Sheets**



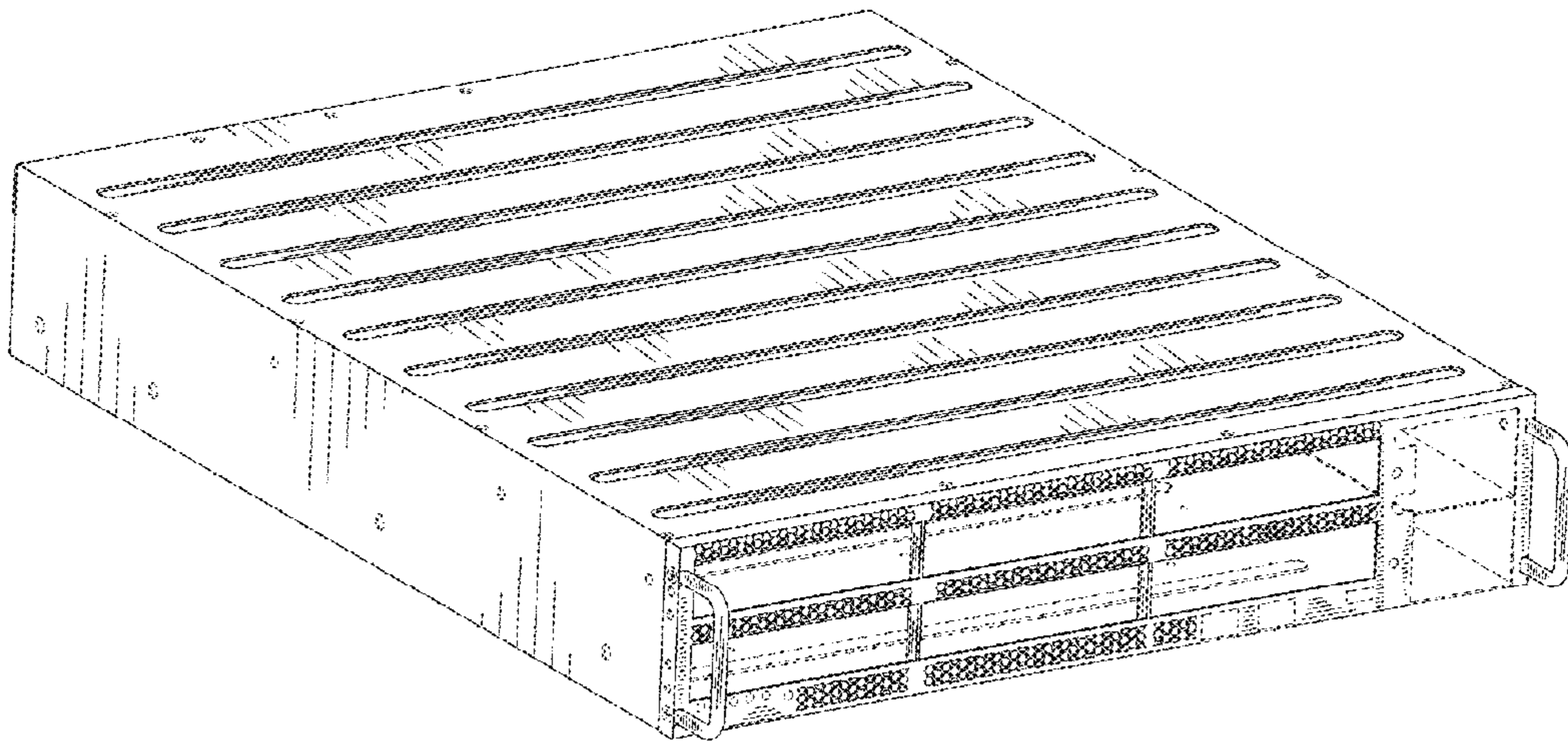


Fig. 1

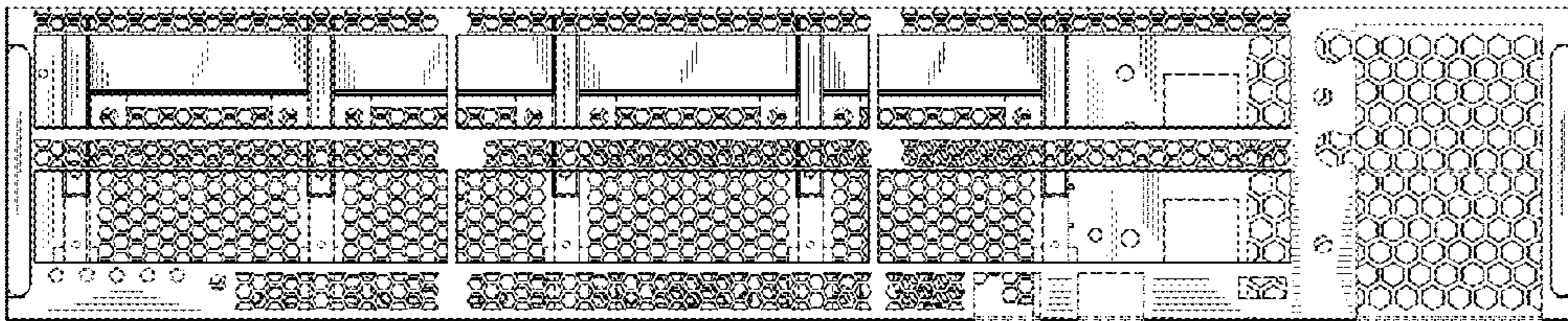


Fig. 2

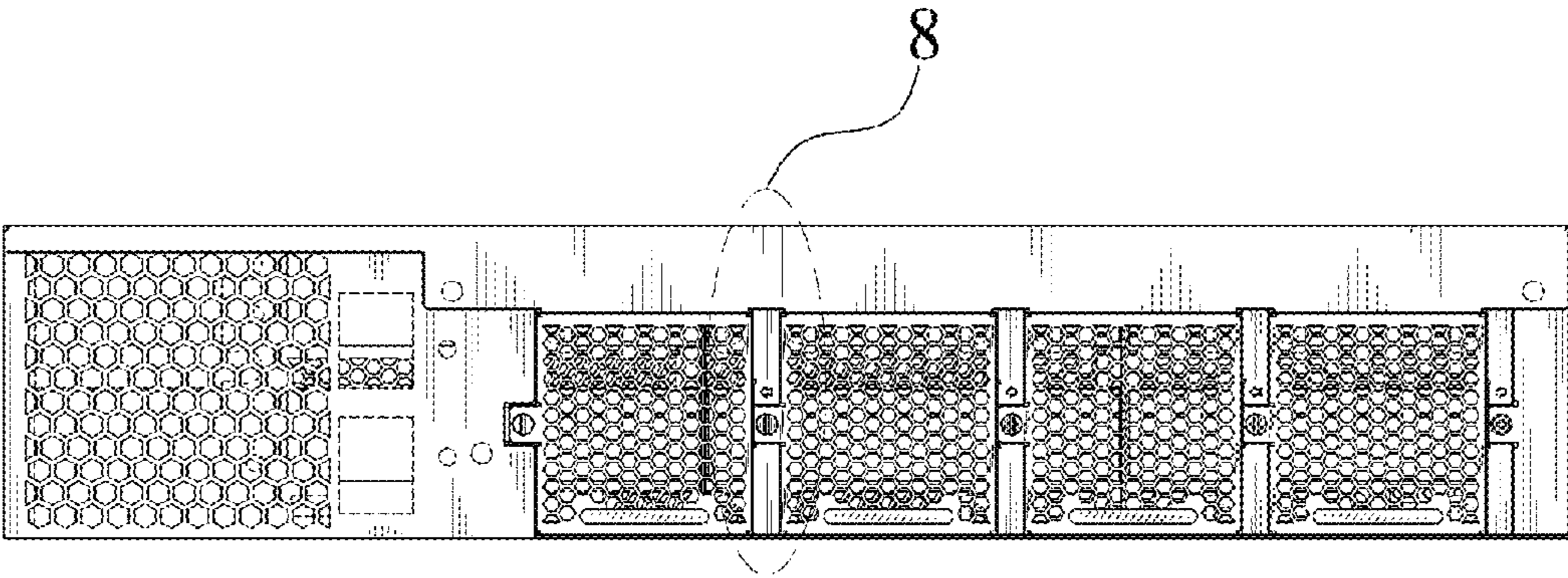


Fig. 3

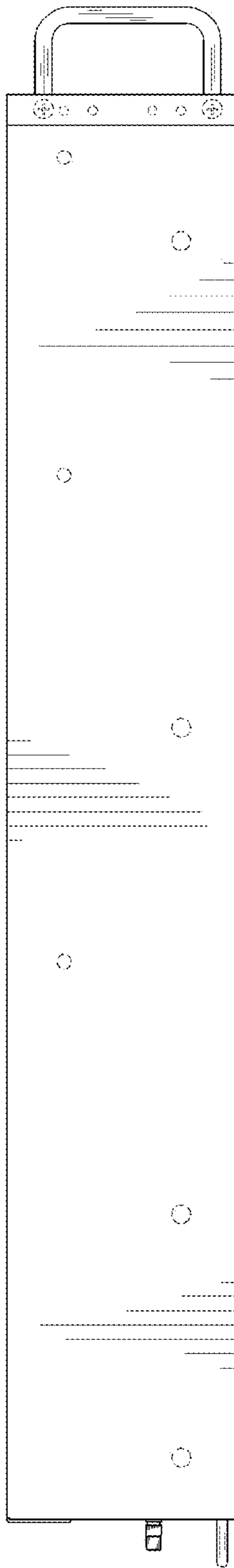


Fig. 4

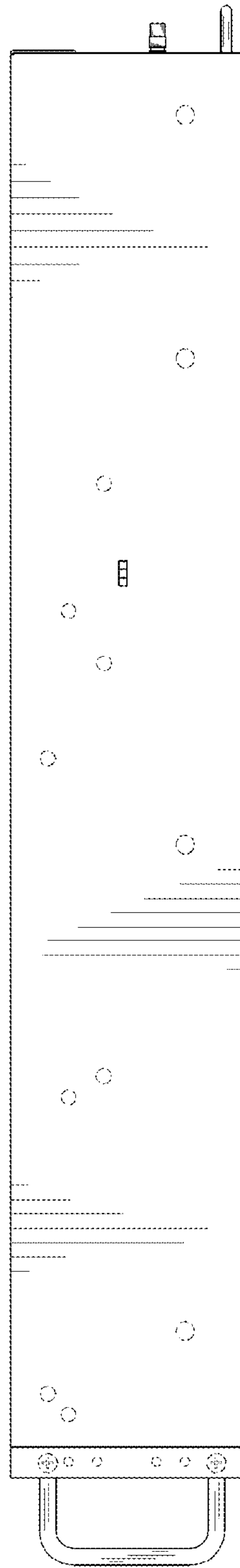


Fig. 5

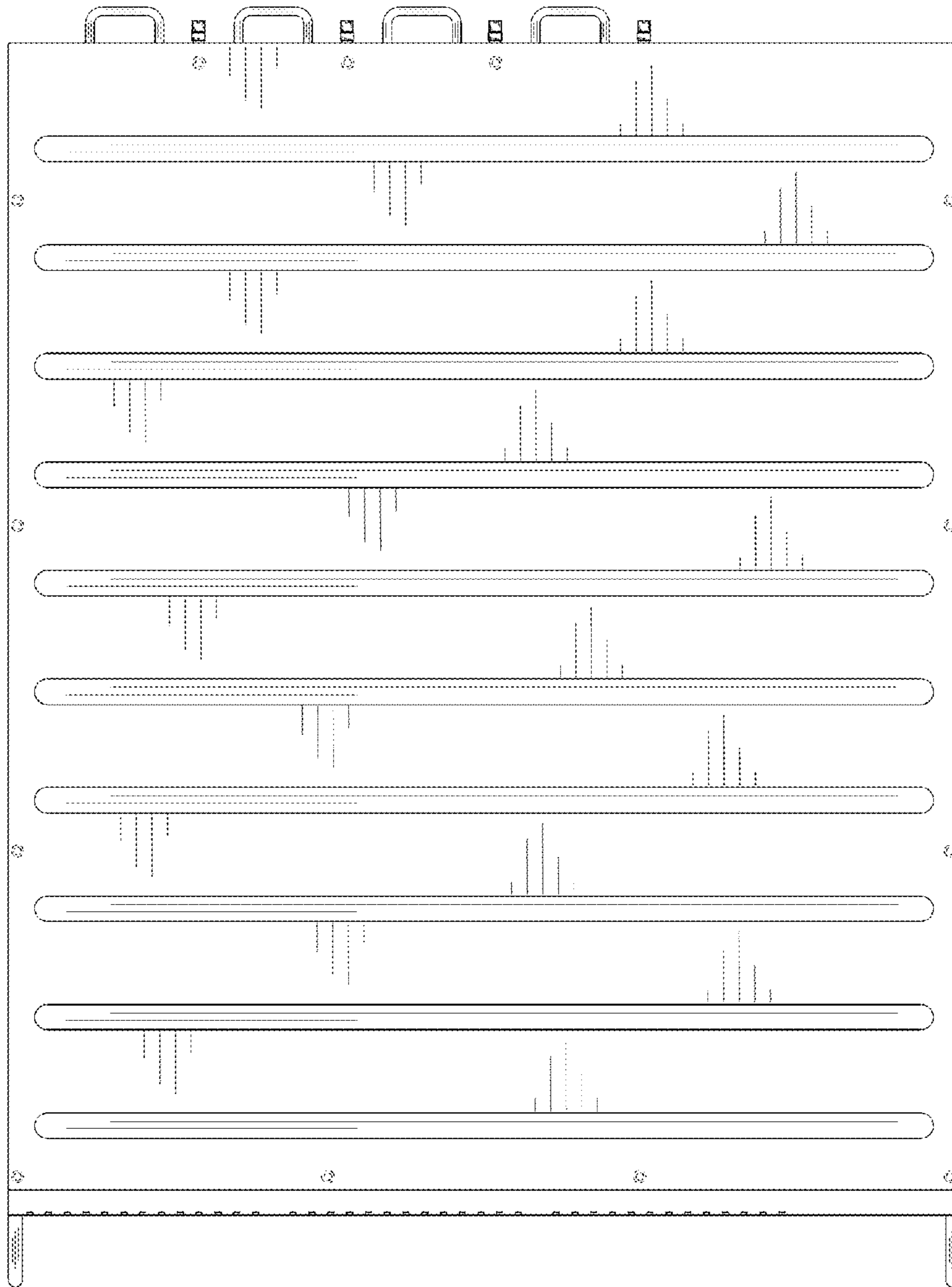


Fig. 6

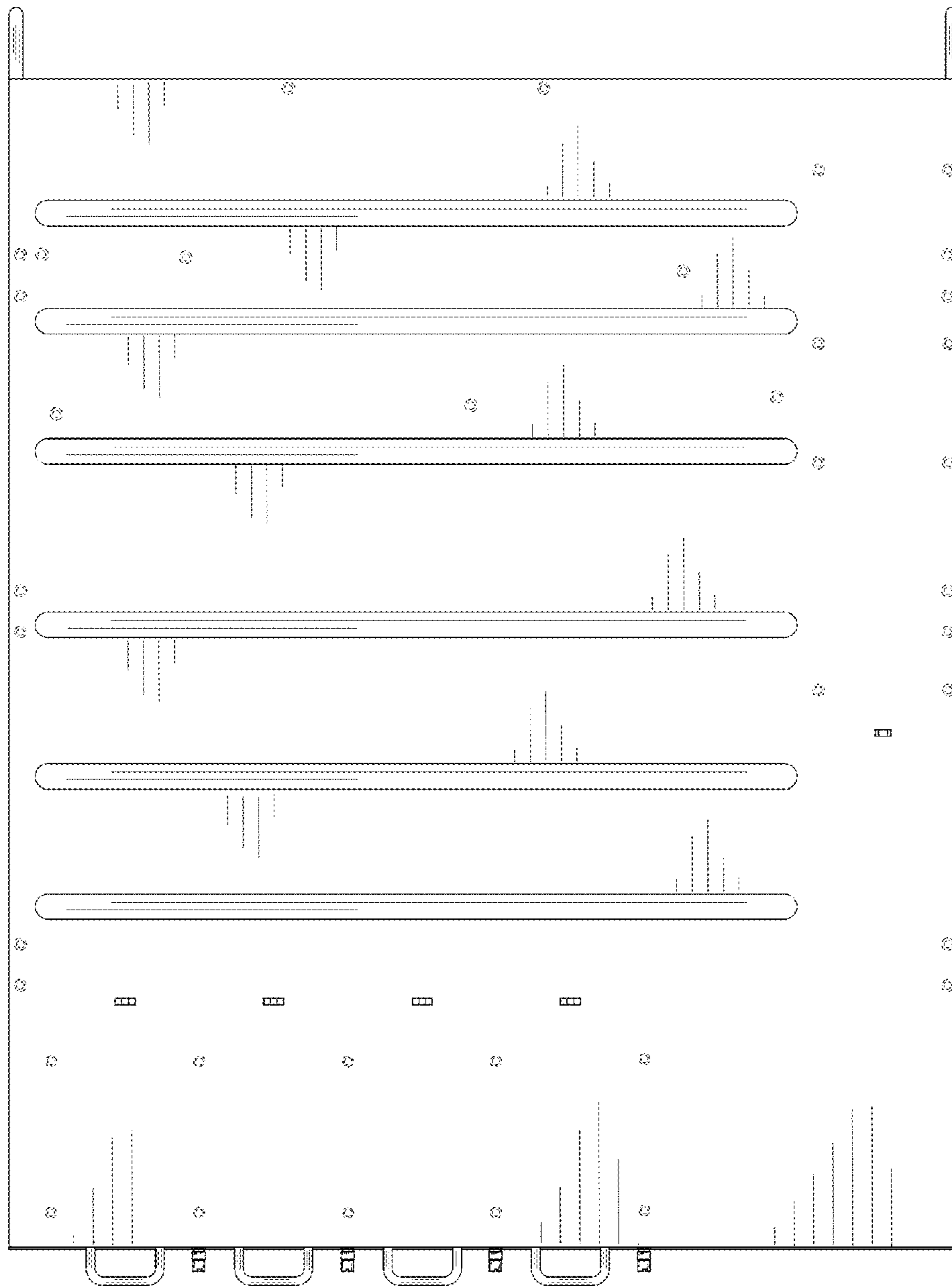


Fig. 7



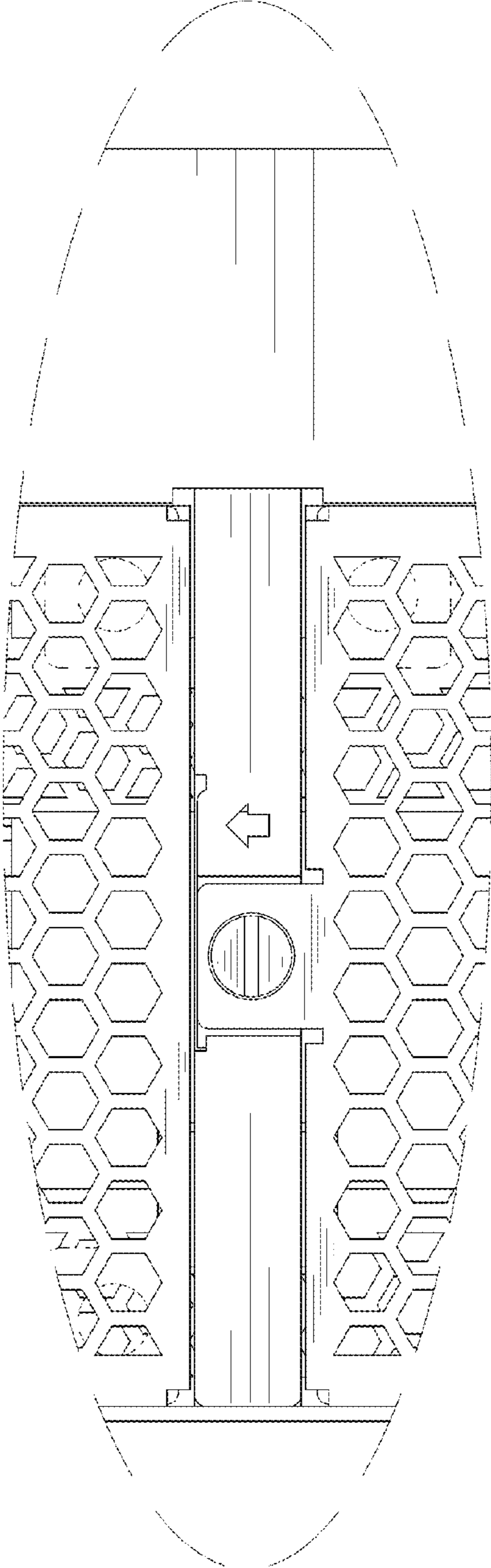


Fig. 8